

1

2

3

4

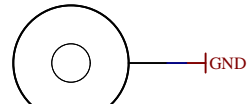
LOGO1
TE Logo PRINT Layer

LOGO PRINT

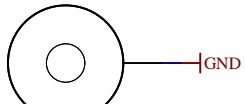
POWER

SC1

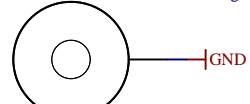
SC2



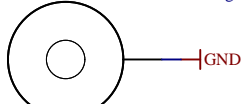
Mount.Hole 3.2mm für Unterlegscheibe



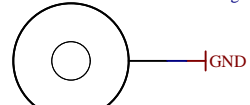
Mount.Hole 3.2mm für Unterlegscheibe



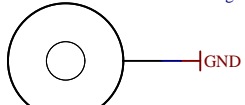
Mount.Hole 3.2mm für Unterlegscheibe



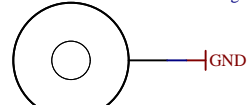
Mount.Hole 3.2mm für Unterlegscheibe



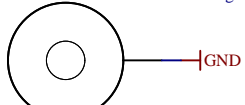
Mount.Hole 3.2mm für Unterlegscheibe



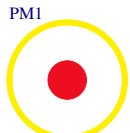
Mount.Hole 3.2mm für Unterlegscheibe



Mount.Hole 3.2mm für Unterlegscheibe



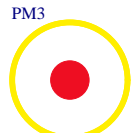
Mount.Hole 3.2mm für Unterlegscheibe



FIDU-DOT - mini PM4



FIDU-DOT - mini PM5



FIDU-DOT - mini PM6



FIDU-DOT - mini



FIDU-DOT - mini



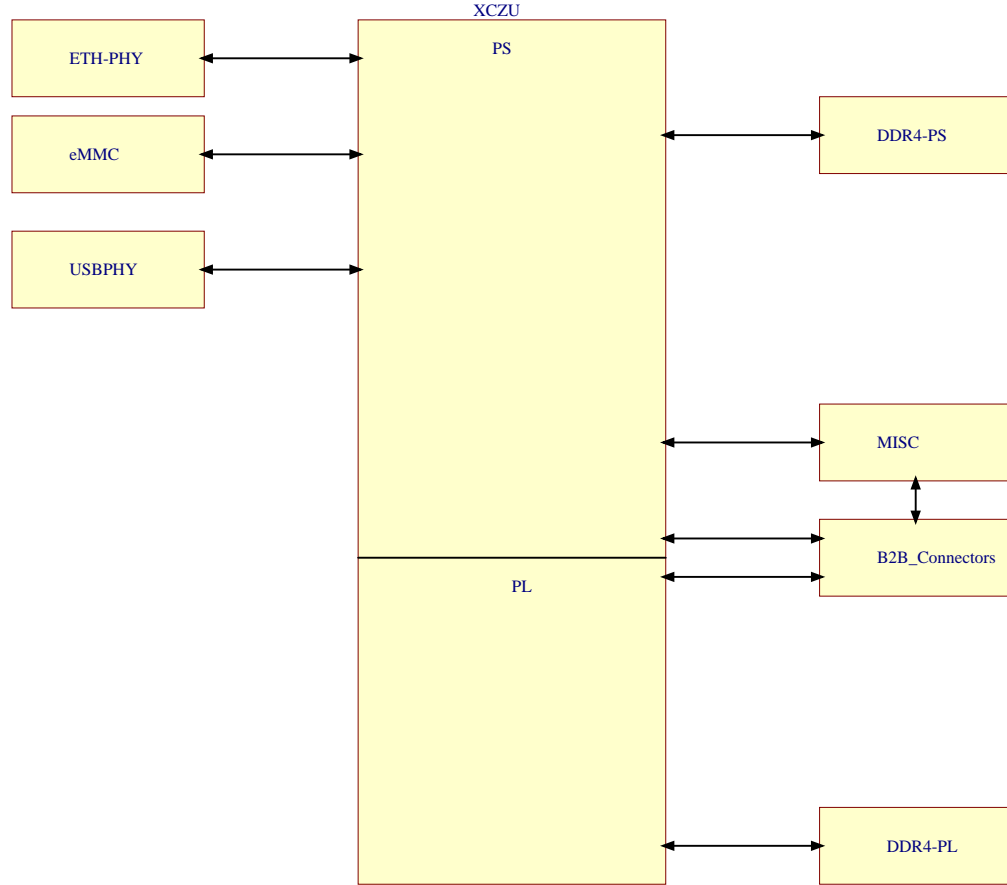
FIDU-DOT - mini

Serial1
Serial
Serialnumber 6,3 x 6,3mm

Special notes:



| | | |
|-------------------------|----------------------------------|--------------|
| Title: TE0865 Main | | |
| A4 | Number: 1 ABI21MA | Rev. 01 |
| Date: 16.06.2021 | Copyright: Trenz Electronic GmbH | Page 1 of 51 |
| Filename: TE0865.schdoc | | |



1

2

3

4

A

A

B

B

C

C

D

D

1

2

3

4

A

A

XCZU_Config



XCZU_88_89_90_91_93_94_HD



XCZU_500_501_502_MIO



XCZU_POWER



B

B

XCZU_64_65_HP



XCZU_128_129_130_131_MGT



XCZU_504_PSDDR



XCZU_GND



C

C

XCZU_66_67_HP



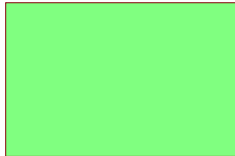
XCZU_224_225_226_227_MGT



XCZU_505_MGT



XCZU_68_69_HP



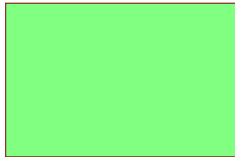
XCZU_228_229_230_231_MGT




D

D

XCZU_70_71_HP



| | | | |
|---|--|----------------------------------|----------------------|
|  | | Title: TE0865 – XCZU | |
| | | A4 | Number: 2 ABI21MA |
| Date: 23.04.2021 | | Copyright: Trenz Electronic GmbH | |
| Filename: XCZU.schdoc | | Page 2 of 51 | |

1

2

3

4

A

B

C

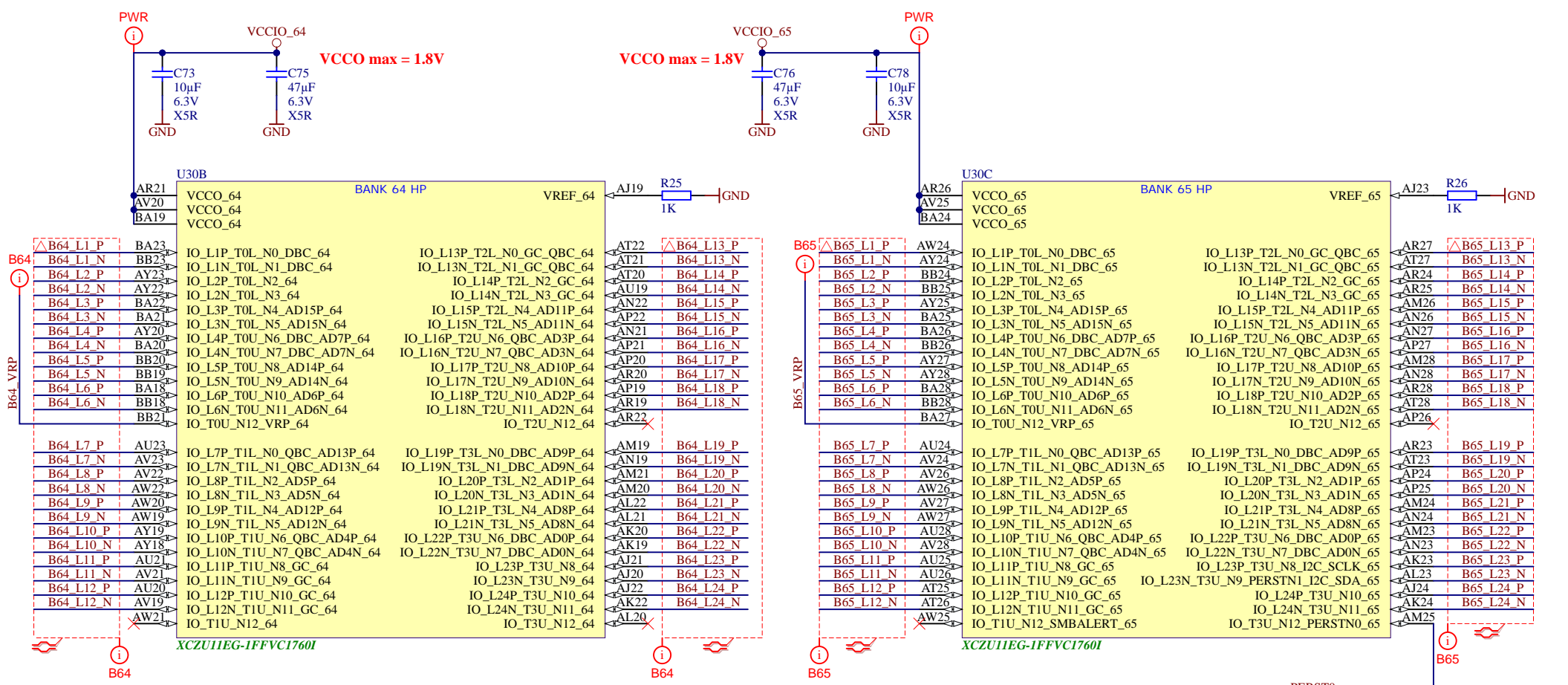

D

A

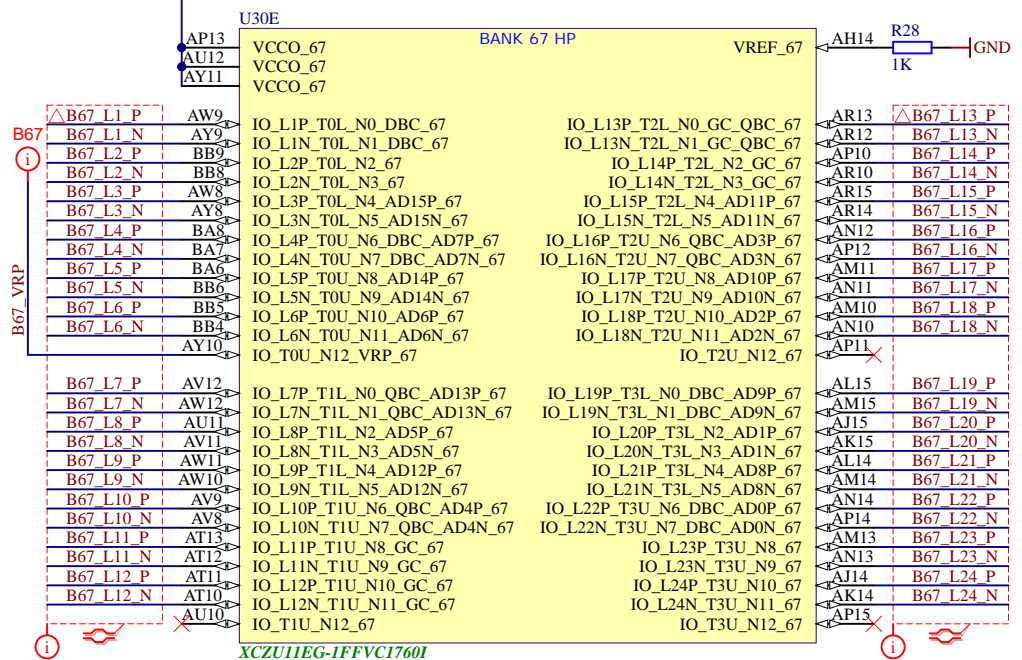
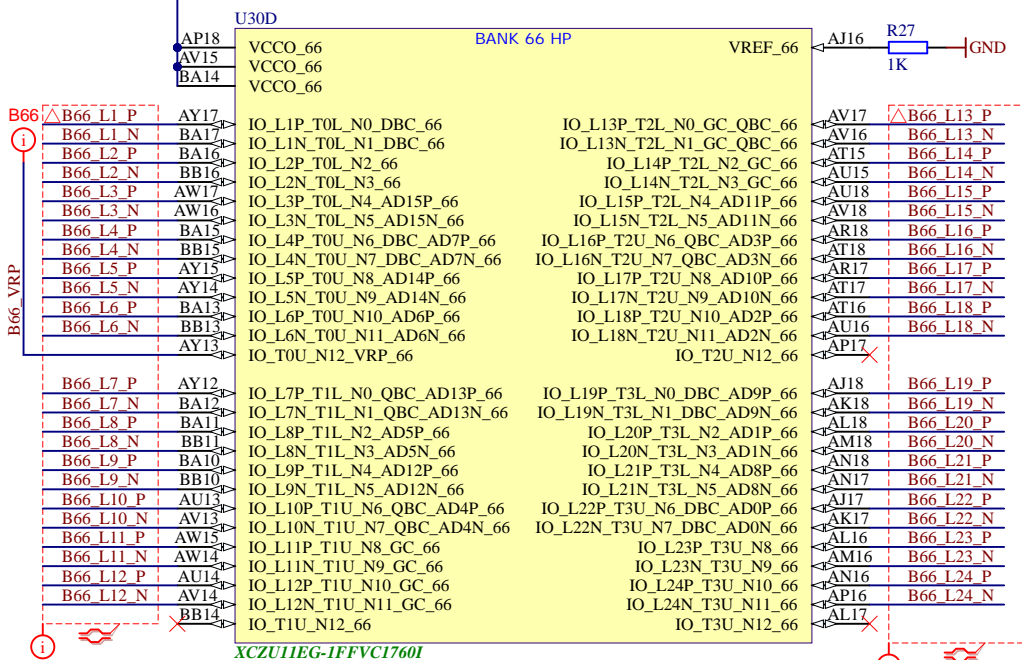
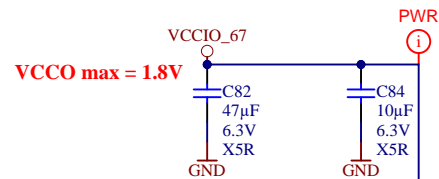
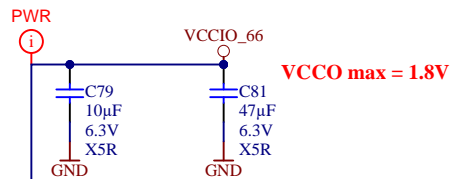
B

C

D

| | | |
|---------------------------------------|------------------------------------|----------------|
| Title: TE0865 – XCZU_64_65_HP | | |
| A4 | Number: 3 ABI21MA | Rev. 01 |
| Date: 23.04.2021 | Copyright: Trenz Electronic GmbH | |
| Page 3 of 51 | | |
| Filename: XCZU_64_65_HP.schdoc | | |



XCZU11EG-1FFVC17601

XCZU11EG-1FFVC17601



| | | |
|--------------------------------|----------------------------------|--------------|
| Title: TE0865 – XCZU_66_67_HP | | |
| A4 | Number: 4 ABI21MA | Rev. 01 |
| Date: 23.04.2021 | Copyright: Trenz Electronic GmbH | Page 4 of 51 |
| Filename: XCZU_66_67_HP.schdoc | | |

A

A

B

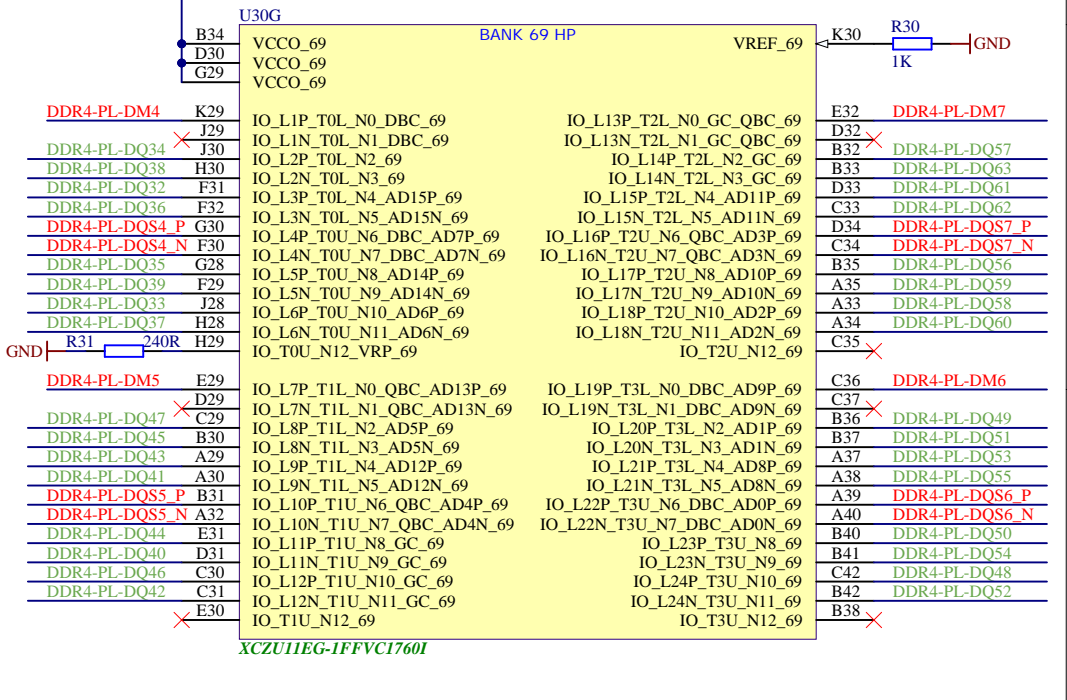
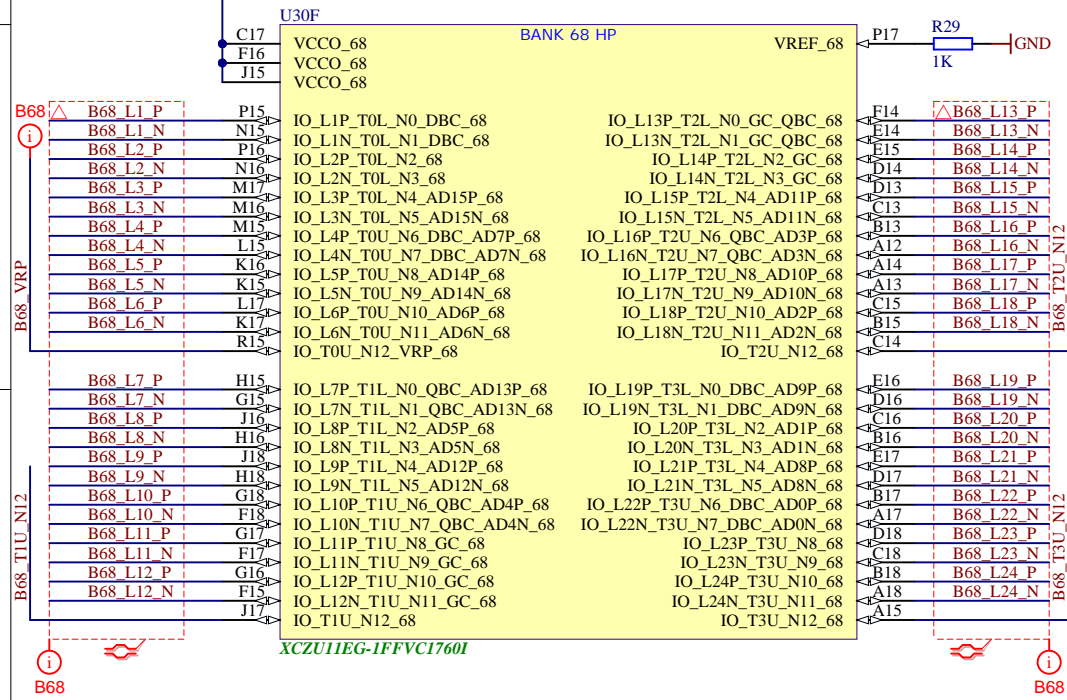
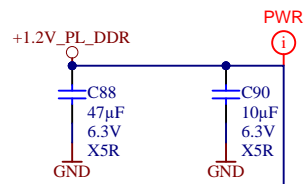
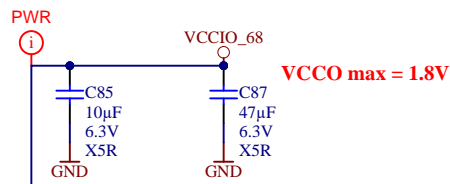
B

C

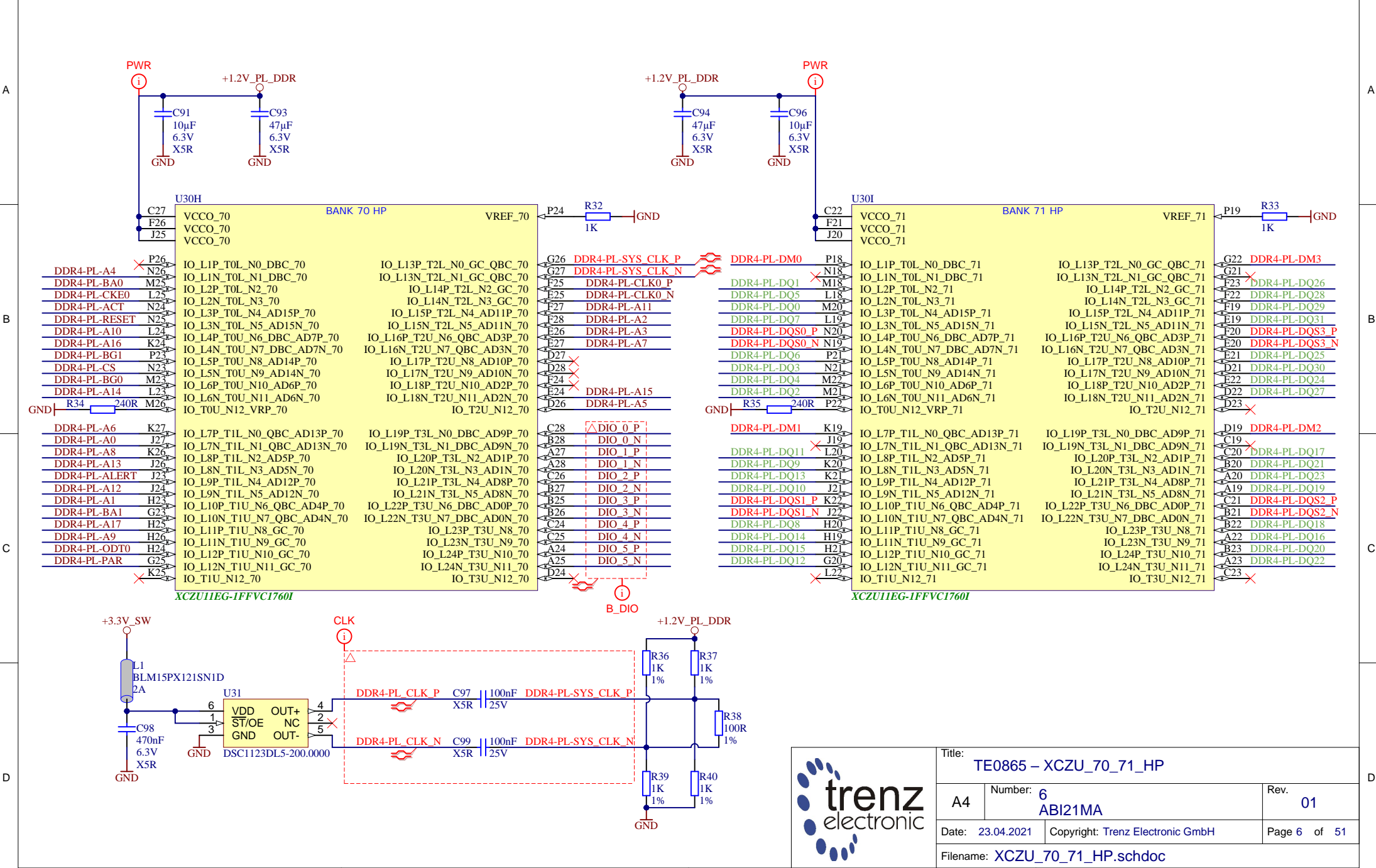
C

D

D



| | | |
|--------------------------------|----------------------------------|--------------|
| Title: TE0865 – XCZU_68_69_HP | | |
| A4 | Number: 5 ABI21MA | Rev. 01 |
| Date: 23.04.2021 | Copyright: Trenz Electronic GmbH | Page 5 of 51 |
| Filename: XCZU_68_69_HP.schdoc | | |



| | | |
|--------------------------------|----------------------------------|--------------|
| Title: TE0865 – XCZU_70_71_HP | | |
| A4 | Number: 6 ABI21MA | Rev. 01 |
| Date: 23.04.2021 | Copyright: Trenz Electronic GmbH | Page 6 of 51 |
| Filename: XCZU_70_71_HP.schdoc | | |

A

A

B

B

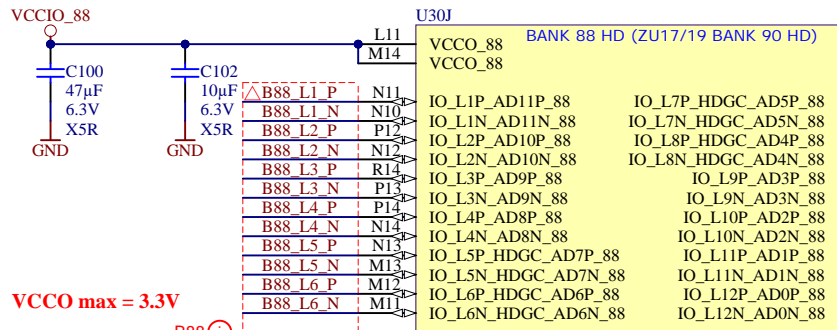
C

C

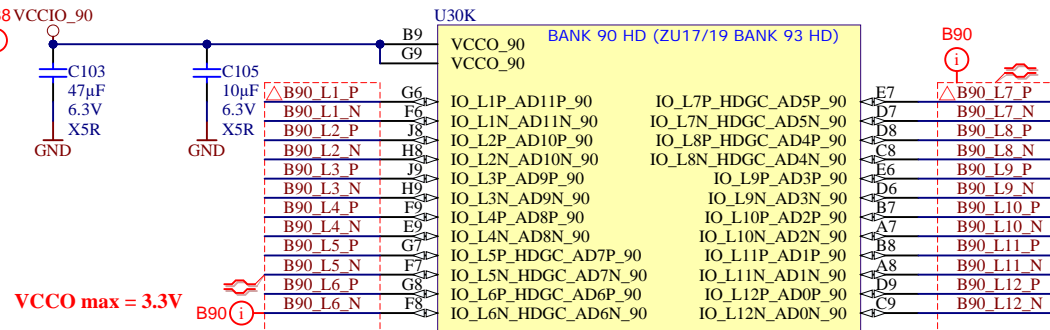
D

D

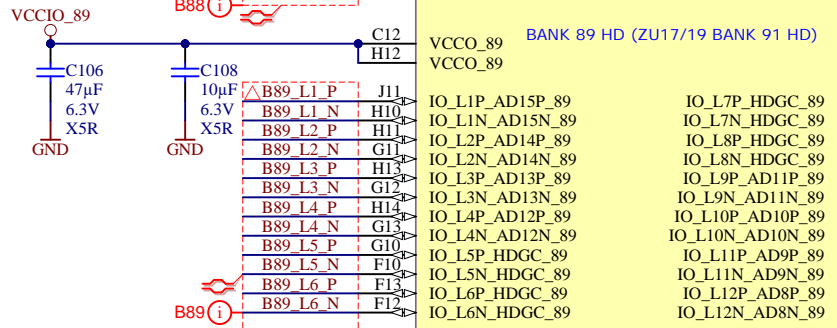
VCCO max = 3.3V



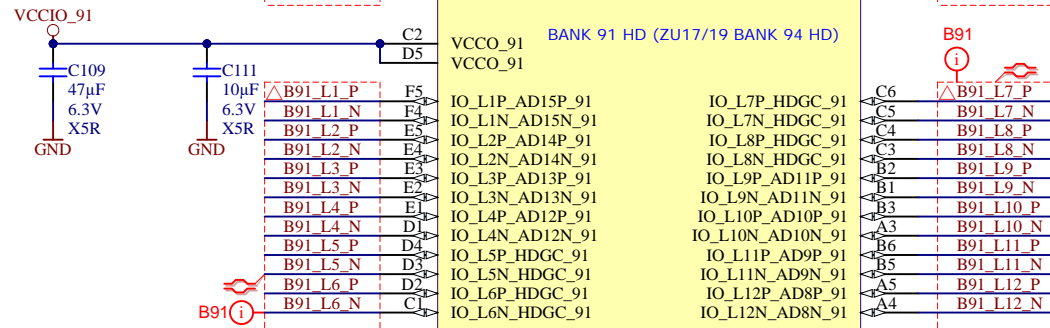
VCCO max = 3.3V



VCCO max = 3.3V



VCCO max = 3.3V

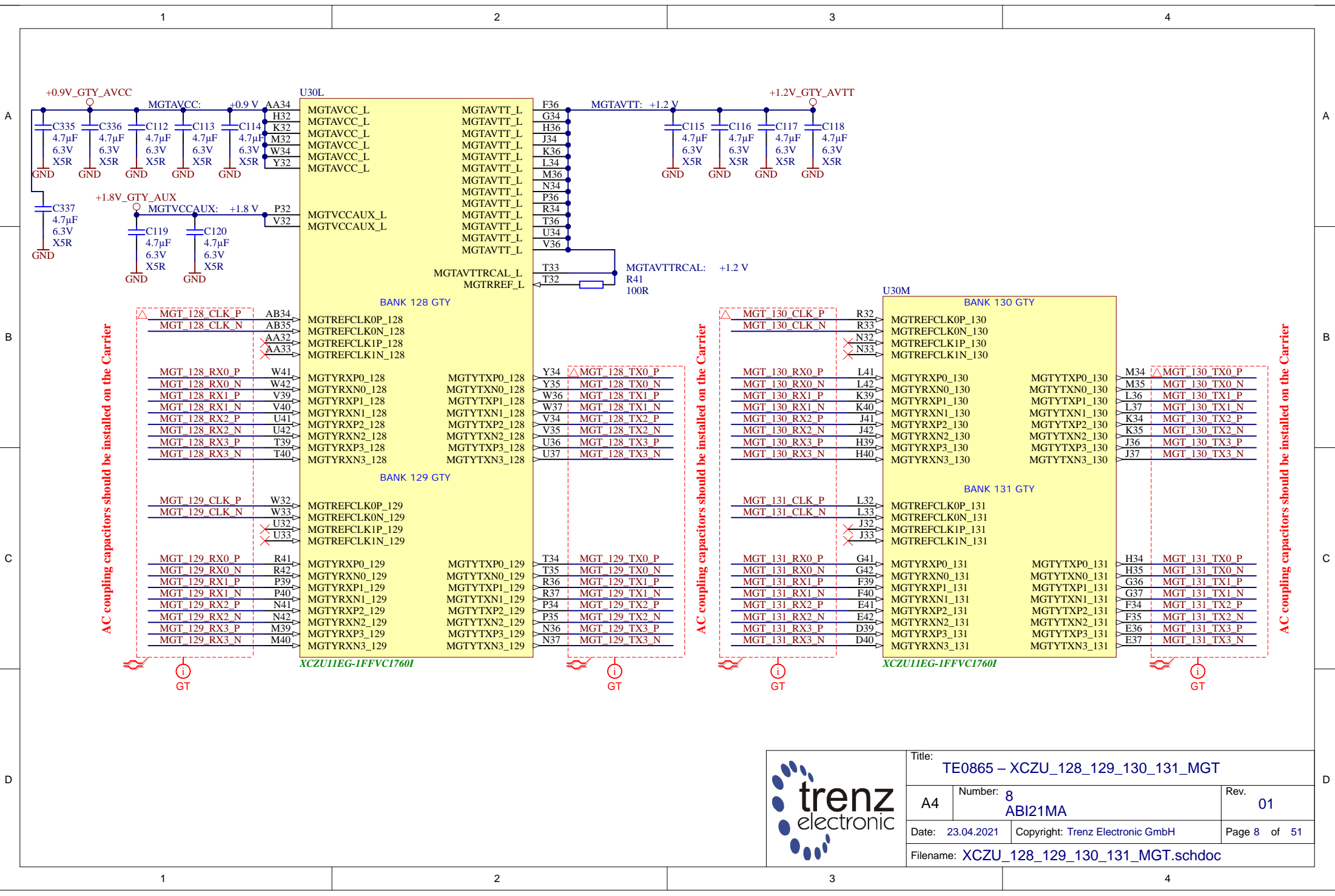



XCZU11EG-1FFVC1760I

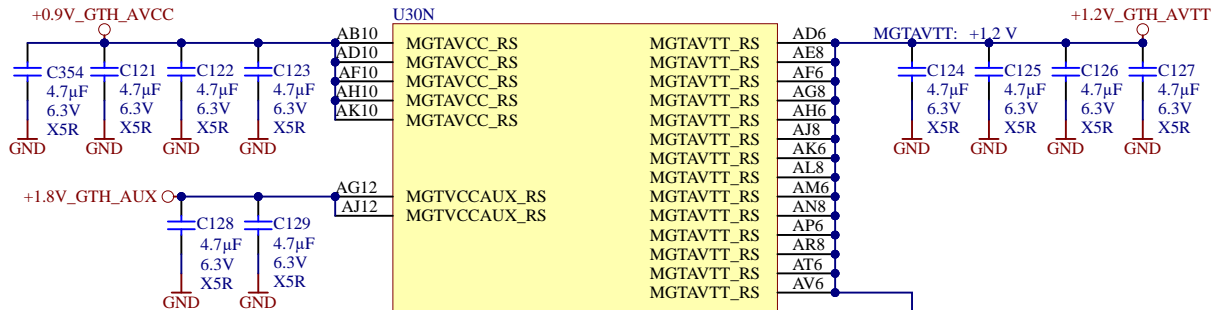
Title: TE0865 - XCZU_88_89_90_91_93_94_HD



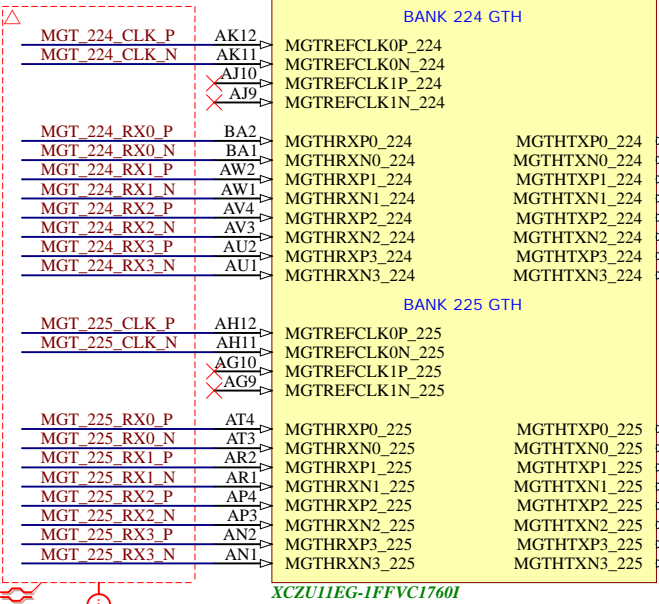
| | | |
|--|----------------------------------|--------------|
| A4 | Number: 7 ABI21MA | Rev. 01 |
| Date: 23.04.2021 | Copyright: Trenz Electronic GmbH | Page 7 of 51 |
| Filename: XCZU_88_89_90_91_93_94_HD.schdoc | | |



| | | | | |
|---|--|----------------------------------|--|----------------------|
|  | | | Title: TE0865 – XCZU_128_129_130_131_MGT | |
| | | | A4 | Number: 8 ABI21MA |
| Date: 23.04.2021 | | Copyright: Trenz Electronic GmbH | | Page 8 of 51 |
| Filename: XCZU_128_129_130_131_MGT.schdoc | | | | |



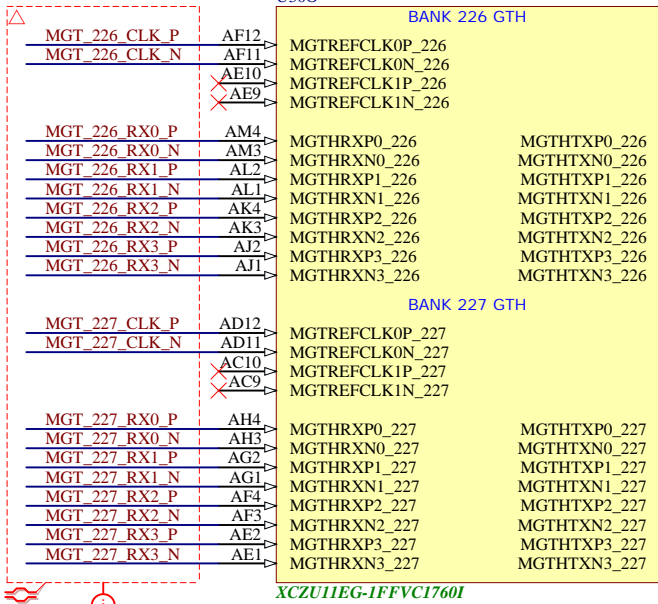
AC coupling capacitors should be installed on the Carrier



GT

GT


AC coupling capacitors should be installed on the Carrier



GT

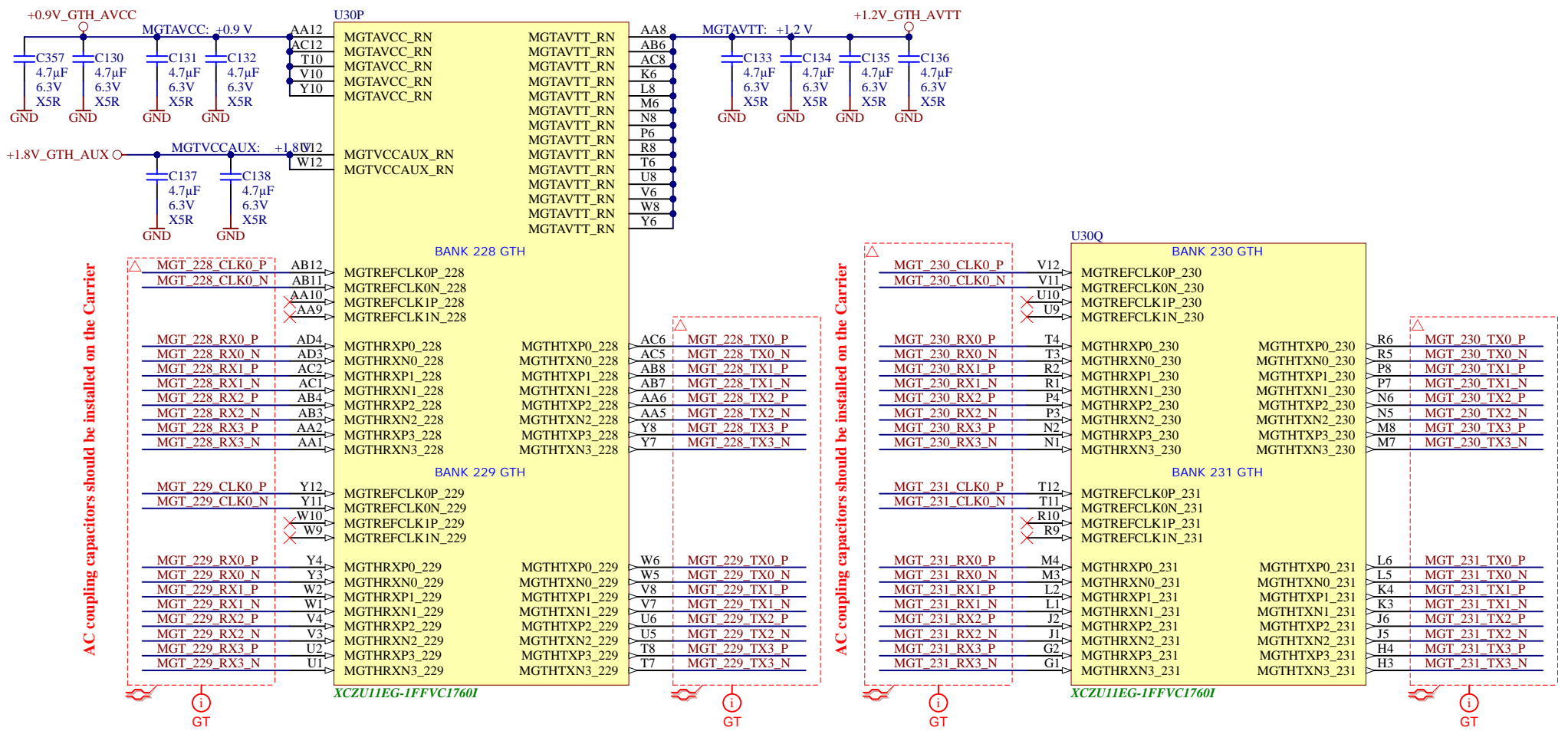
GT


AC coupling capacitors should be installed on the Carrier



Title: TE0865 – XCZU_224_225_226_227_MGT

| | | |
|---|----------------------------------|--------------|
| A4 | Number: 9 ABI21MA | Rev. 01 |
| Date: 23.04.2021 | Copyright: Trenz Electronic GmbH | Page 9 of 51 |
| Filename: XCZU_224_225_226_227_MGT.schdoc | | |



| | | | | |
|---|--|----------------------------------|--|-----------------------|
|  | | | Title: TE0865 – XCZU_228_229_230_231_MGT | |
| | | | A4 | Number: 10 ABI21MA |
| Date: 23.04.2021 | | Copyright: Trenz Electronic GmbH | | Page 10 of 51 |
| Filename: XCZU_228_229_230_231_MGT.schdoc | | | | |

1

2

3

4

A

A

B

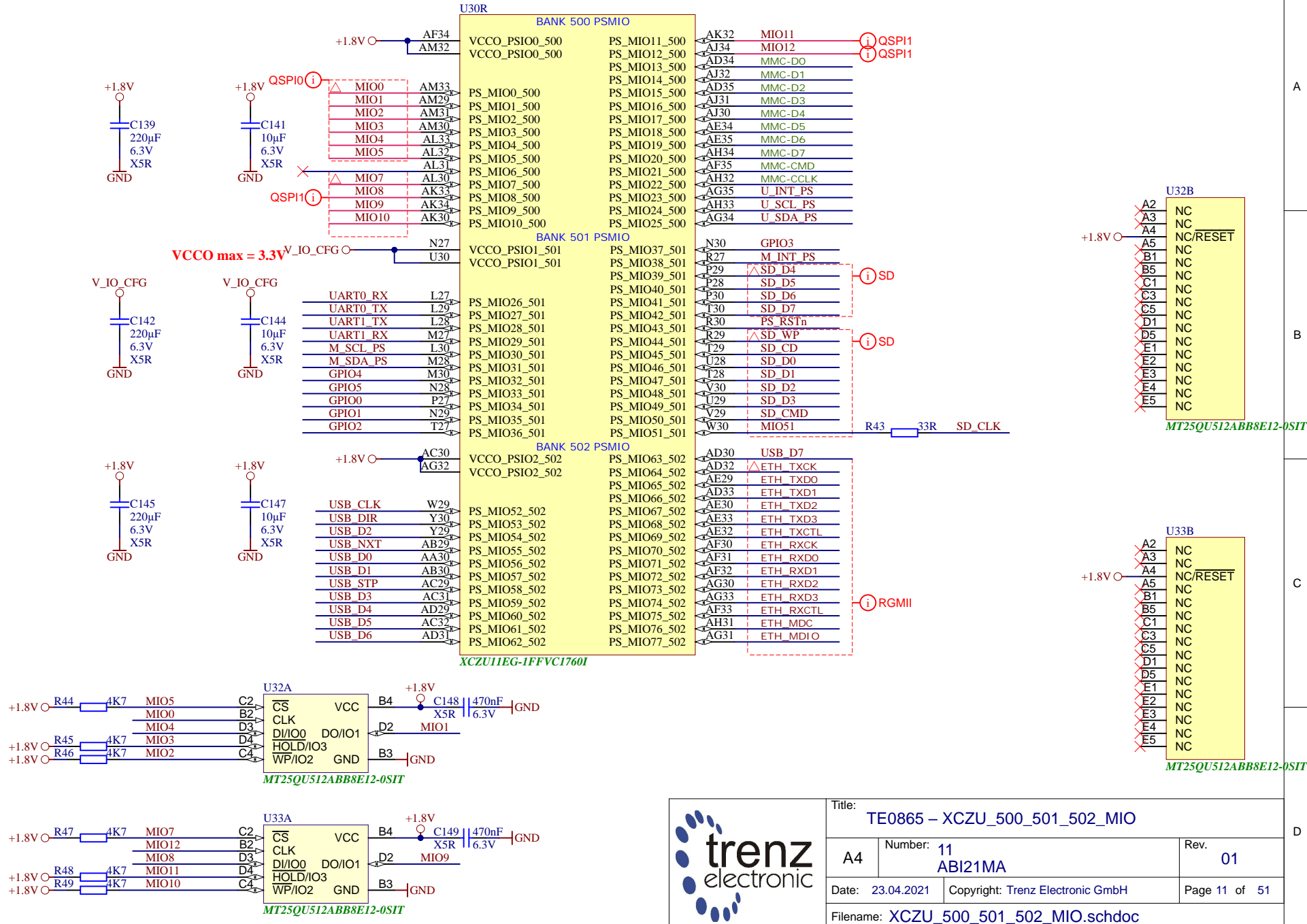
B

C

C

D

D



| | | | |
|---------------------------------------|----------------------------------|---------------|--|
| Title: TE0865 - XCZU_500_501_502_MIO | | | |
| A4 | Number: 11 ABI21MA | Rev. 01 | |
| Date: 23.04.2021 | Copyright: Trenz Electronic GmbH | Page 11 of 51 | |
| Filename: XCZU_500_501_502_MIO.schdoc | | | |

1

2

3

4

A

A

B

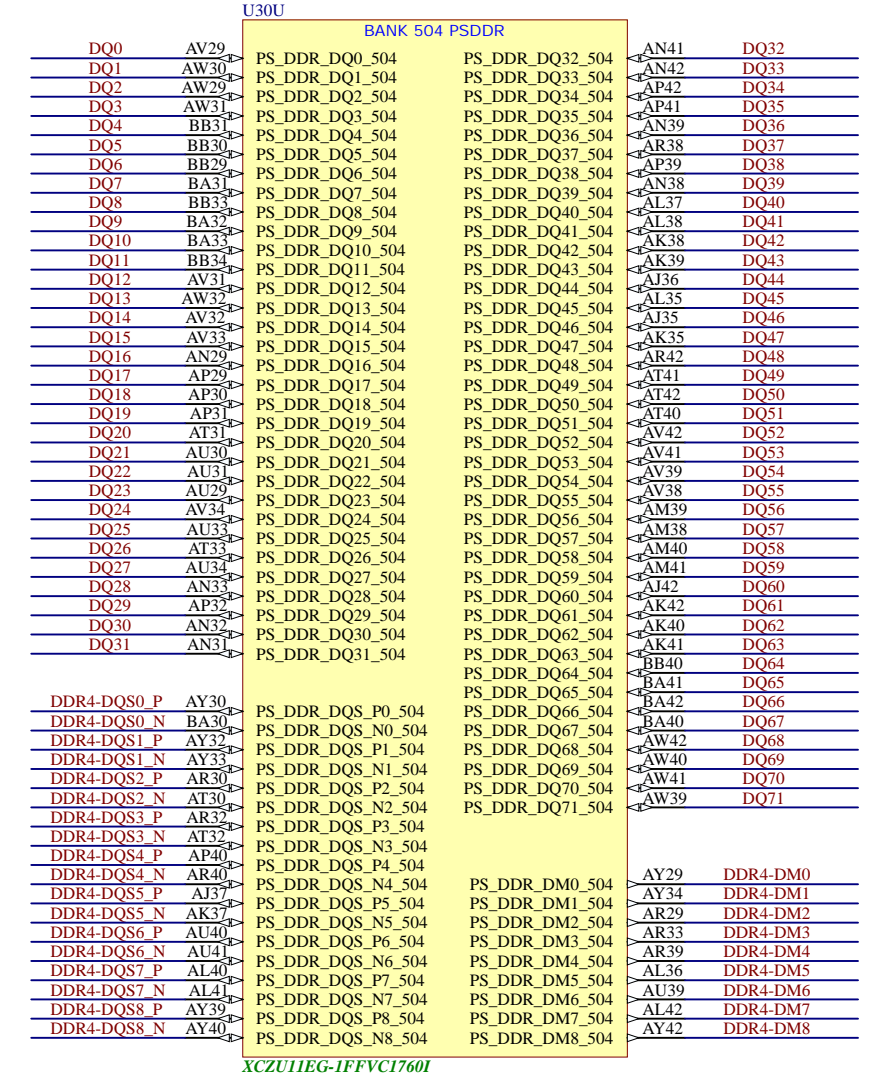
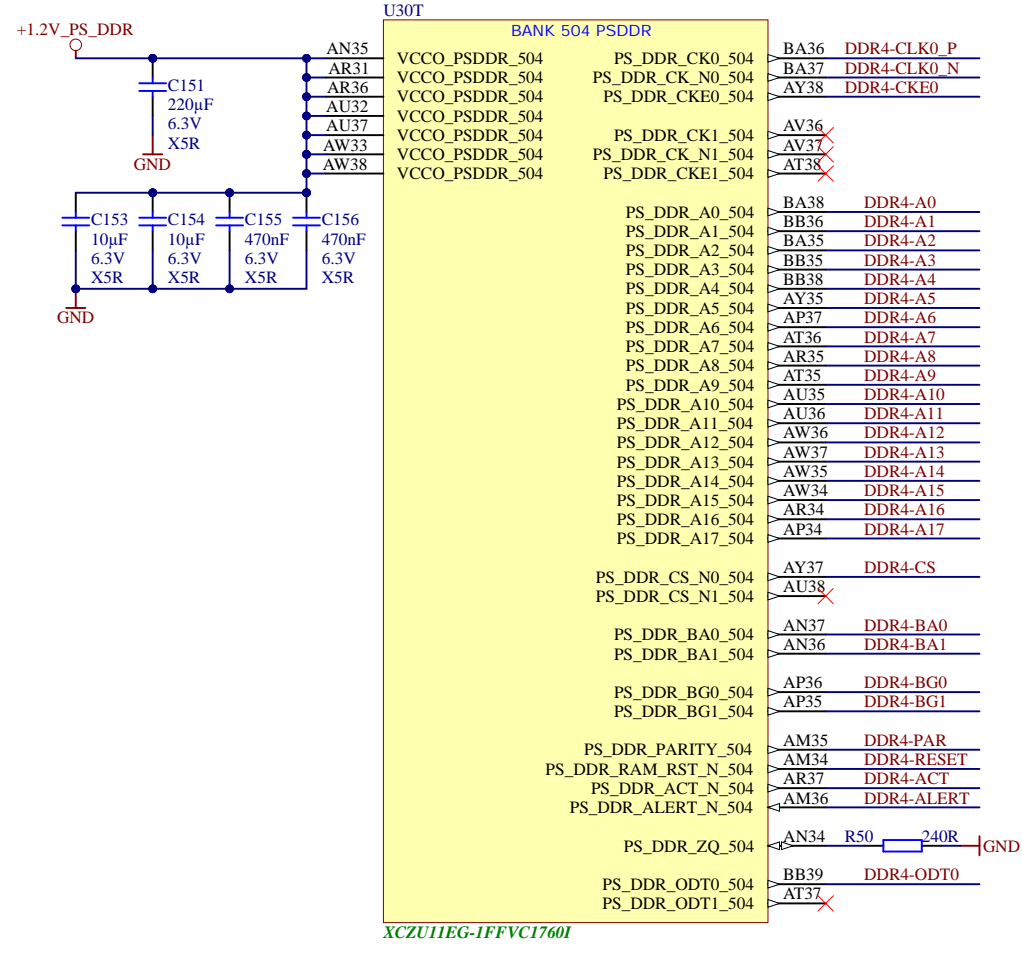

B

C

C

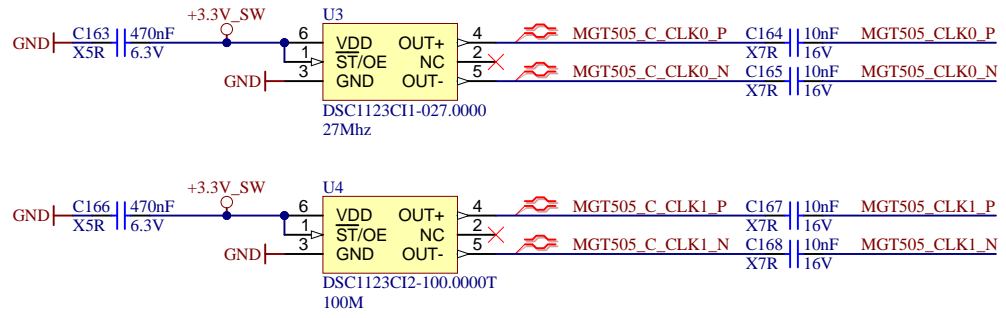
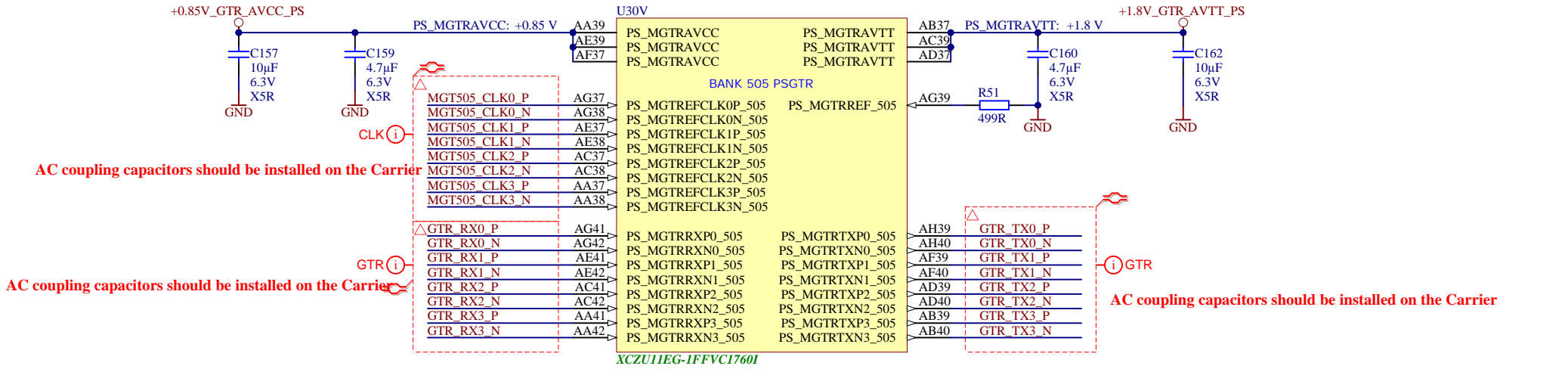
D

D

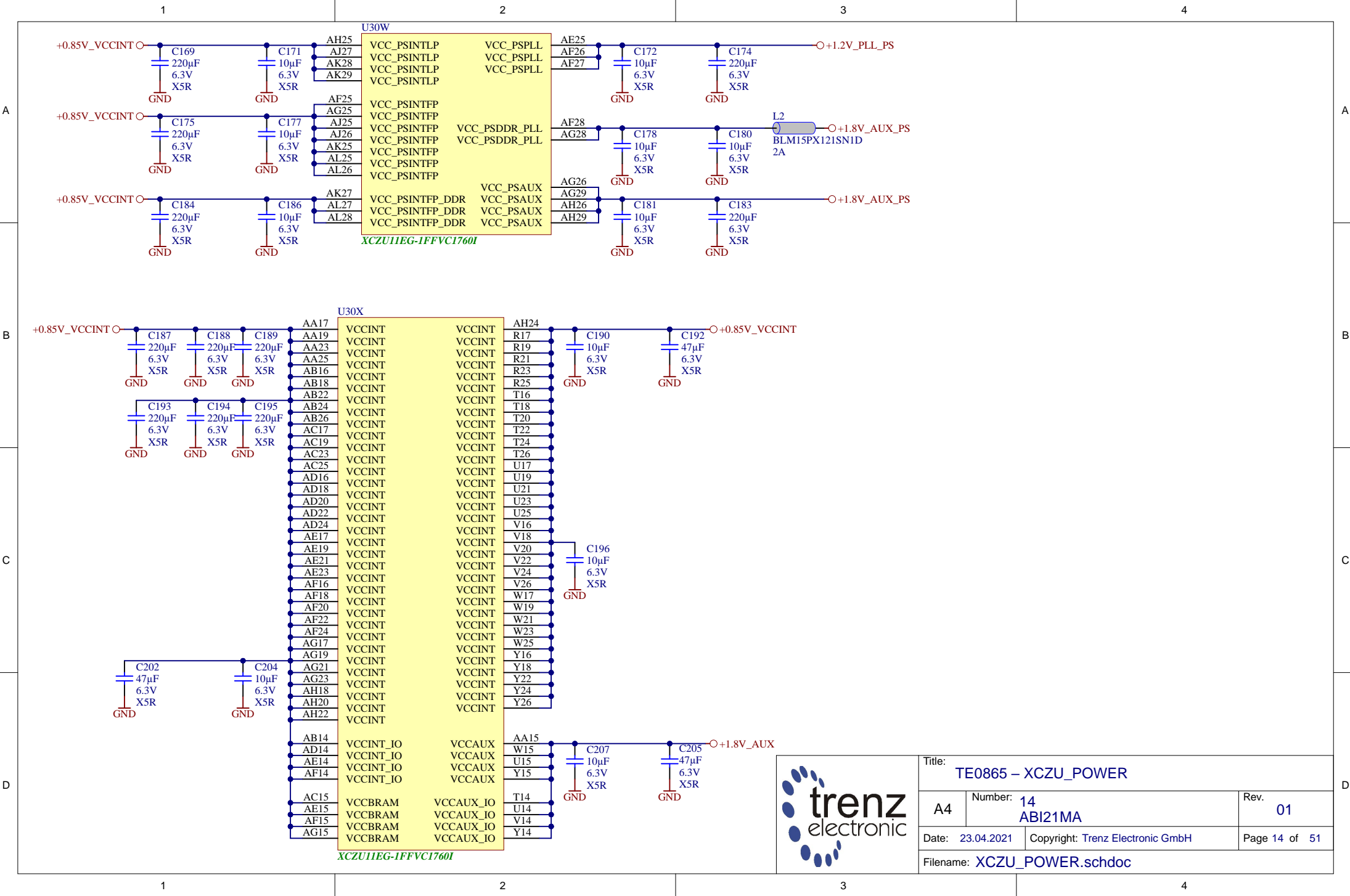



Title: **TE0865 – XCZU_504_PSDDR**

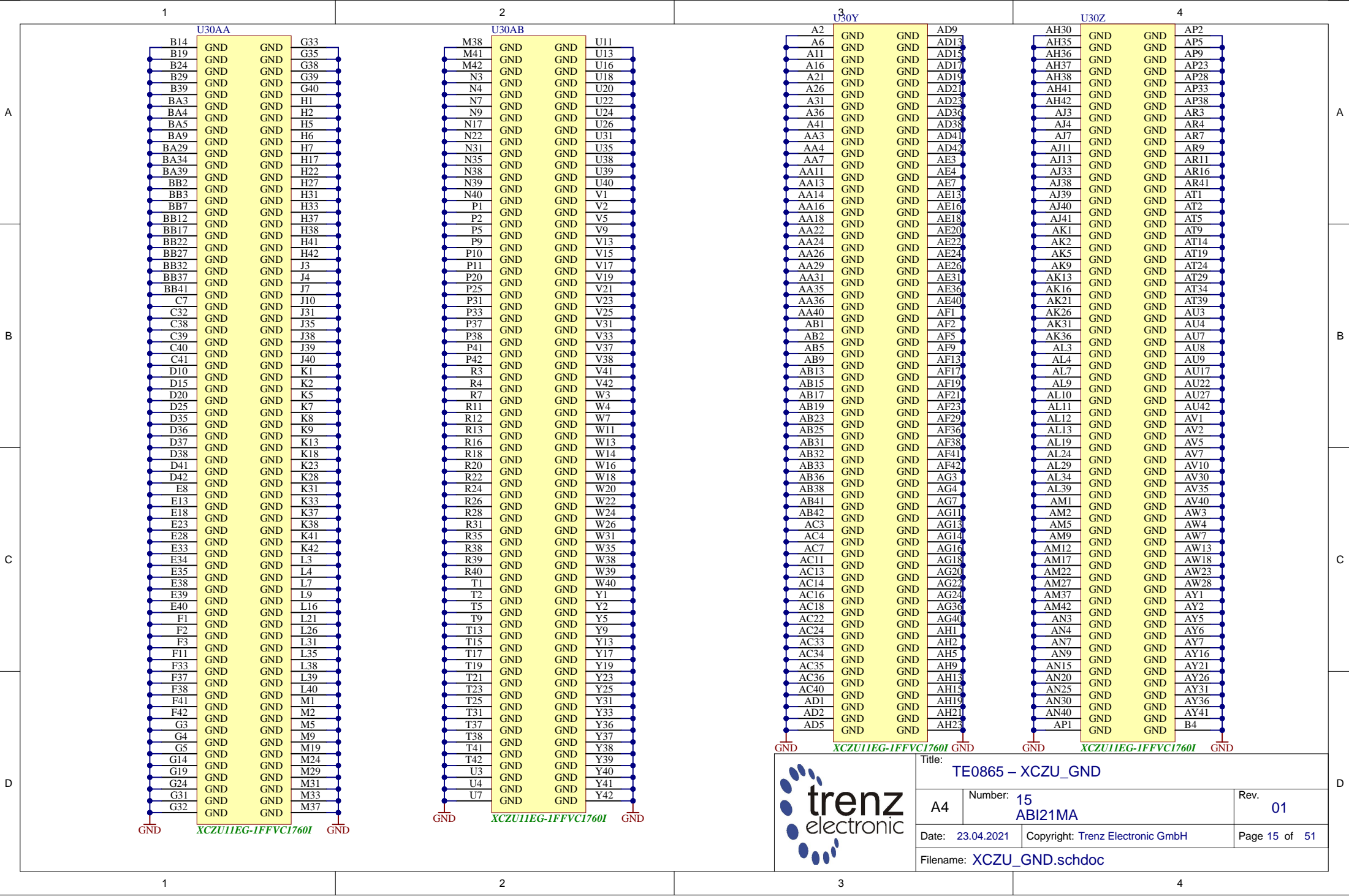
| | | |
|--|---|-----------------------------|
| A4 | Number: 12 ABI21MA | Rev. 01 |
| Date: 23.04.2021 | Copyright: Trenz Electronic GmbH | Page 12 of 51 |
| Filename: XCZU_504_PSDDR.schdoc | | |



| | | |
|----------------------------------|------------------------------|-----------------------|
| | Title: TE0865 – XCZU_505_MGT | |
| | A4 | Number: 13 ABI21MA |
| | Date: 23.04.2021 | Rev. 01 |
| | Page 13 of 51 | |
| Copyright: Trenz Electronic GmbH | | |
| Filename: XCZU_505_MGT.schdoc | | |



| | | | |
|-----------------------------|----------------------------------|---------|---------------|
| Title: TE0865 – XCZU_POWER | | | |
| A4 | Number: 14 ABI21MA | Rev. 01 | |
| Date: 23.04.2021 | Copyright: Trenz Electronic GmbH | | Page 14 of 51 |
| Filename: XCZU_POWER.schdoc | | | |



A

A

B

B

C

C

D

D



| | | |
|---------------------------|----------------------------------|---------------|
| Title: TE0865 – XCZU_GND | | |
| A4 | Number: 15 ABI21MA | Rev. 01 |
| Date: 23.04.2021 | Copyright: Trenz Electronic GmbH | Page 15 of 51 |
| Filename: XCZU_GND.schdoc | | |

1

2

3
U30Y

U30Z

4

U30AA

U30AB

- B14 GND GND G33
- B19 GND GND G35
- B24 GND GND G38
- B29 GND GND G39
- B39 GND GND G40
- BA3 GND GND H1
- BA4 GND GND H2
- BA5 GND GND H5
- BA9 GND GND H6
- BA29 GND GND H7
- BA34 GND GND H17
- BA39 GND GND H22
- BB2 GND GND H27
- BB3 GND GND H31
- BB7 GND GND H33
- BB12 GND GND H37
- BB17 GND GND H38
- BB22 GND GND H41
- BB27 GND GND H42
- BB32 GND GND J3
- BB37 GND GND J4
- BB41 GND GND J7
- C7 GND GND J10
- C32 GND GND J31
- C38 GND GND J35
- C39 GND GND J38
- C40 GND GND J39
- C41 GND GND J40
- D10 GND GND K1
- D15 GND GND K2
- D20 GND GND K5
- D25 GND GND K7
- D35 GND GND K8
- D36 GND GND K9
- D37 GND GND K13
- D38 GND GND K18
- D41 GND GND K23
- D42 GND GND K28
- E8 GND GND K31
- E13 GND GND K33
- E18 GND GND K37
- E23 GND GND K38
- E28 GND GND K41
- E33 GND GND K42
- E34 GND GND L3
- E35 GND GND L4
- E38 GND GND L7
- E39 GND GND L9
- E40 GND GND L16
- F1 GND GND L21
- F2 GND GND L26
- F3 GND GND L31
- F11 GND GND L35
- F33 GND GND L38
- F37 GND GND L39
- F38 GND GND L40
- F41 GND GND M1
- F42 GND GND M2
- G3 GND GND M5
- G4 GND GND M9
- G5 GND GND M19
- G14 GND GND M24
- G19 GND GND M29
- G24 GND GND M31
- G31 GND GND M33
- G32 GND GND M37

GND XCZU11EG-1FFVC17601 GND

- M38 GND GND U11
- M41 GND GND U13
- M42 GND GND U16
- N3 GND GND U18
- N4 GND GND U20
- N7 GND GND U22
- N9 GND GND U24
- N17 GND GND U26
- N22 GND GND U31
- N31 GND GND U35
- N35 GND GND U38
- N38 GND GND U39
- N39 GND GND U40
- N40 GND GND V1
- P1 GND GND V2
- P2 GND GND V5
- P5 GND GND V9
- P9 GND GND V13
- P10 GND GND V15
- P11 GND GND V17
- P20 GND GND V19
- P25 GND GND V21
- P31 GND GND V23
- P33 GND GND V25
- P37 GND GND V31
- P38 GND GND V33
- P41 GND GND V37
- P42 GND GND V38
- R3 GND GND V41
- R4 GND GND V42
- R7 GND GND W3
- R11 GND GND W4
- R12 GND GND W7
- R13 GND GND W11
- R16 GND GND W13
- R18 GND GND W14
- R20 GND GND W16
- R22 GND GND W18
- R24 GND GND W20
- R26 GND GND W22
- R28 GND GND W24
- R31 GND GND W26
- R35 GND GND W31
- R38 GND GND W35
- R39 GND GND W38
- R40 GND GND W39
- T1 GND GND W40
- T2 GND GND Y1
- T5 GND GND Y2
- T9 GND GND Y5
- T13 GND GND Y9
- T15 GND GND Y13
- T17 GND GND Y17
- T19 GND GND Y19
- T21 GND GND Y23
- T23 GND GND Y25
- T25 GND GND Y31
- T31 GND GND Y33
- T37 GND GND Y36
- T38 GND GND Y37
- T41 GND GND Y38
- T42 GND GND Y39
- U3 GND GND Y40
- U4 GND GND Y41
- U7 GND GND Y42

GND XCZU11EG-1FFVC17601 GND

- A2 GND GND AD9
- A6 GND GND AD13
- A11 GND GND AD15
- A16 GND GND AD17
- A21 GND GND AD19
- A26 GND GND AD21
- A31 GND GND AD23
- A36 GND GND AD36
- A41 GND GND AD38
- AA3 GND GND AD41
- AA4 GND GND AD42
- AA7 GND GND AE3
- AA11 GND GND AE4
- AA13 GND GND AE7
- AA14 GND GND AE13
- AA16 GND GND AE16
- AA18 GND GND AE18
- AA22 GND GND AE20
- AA24 GND GND AE22
- AA26 GND GND AE24
- AA29 GND GND AE26
- AA31 GND GND AE31
- AA35 GND GND AE36
- AA36 GND GND AE40
- AA40 GND GND AF1
- AB1 GND GND AF2
- AB2 GND GND AF5
- AB5 GND GND AF9
- AB9 GND GND AF13
- AB13 GND GND AF17
- AB15 GND GND AF19
- AB17 GND GND AF21
- AB19 GND GND AF23
- AB23 GND GND AF29
- AB25 GND GND AF36
- AB31 GND GND AF38
- AB32 GND GND AF41
- AB33 GND GND AF42
- AB36 GND GND AG3
- AB38 GND GND AG4
- AB41 GND GND AG7
- AB42 GND GND AG11
- AC3 GND GND AG13
- AC4 GND GND AG14
- AC7 GND GND AG16
- AC11 GND GND AG18
- AC13 GND GND AG20
- AC14 GND GND AG22
- AC16 GND GND AG24
- AC18 GND GND AG36
- AC22 GND GND AG40
- AC24 GND GND AH1
- AC33 GND GND AH2
- AC34 GND GND AH5
- AC35 GND GND AH9
- AC36 GND GND AH13
- AC40 GND GND AH15
- AD1 GND GND AH19
- AD2 GND GND AH21
- AD5 GND GND AH23

GND XCZU11EG-1FFVC17601 GND

- AH30 GND GND AP2
- AH35 GND GND AP5
- AH36 GND GND AP9
- AH37 GND GND AP23
- AH38 GND GND AP28
- AH41 GND GND AP33
- AH42 GND GND AP38
- AJ3 GND GND AR3
- AJ4 GND GND AR4
- AJ7 GND GND AR7
- AJ11 GND GND AR9
- AJ13 GND GND AR11
- AJ33 GND GND AR16
- AJ38 GND GND AR41
- AJ39 GND GND AT1
- AJ40 GND GND AT2
- AJ41 GND GND AT5
- AK1 GND GND AT9
- AK2 GND GND AT14
- AK5 GND GND AT19
- AK9 GND GND AT24
- AK13 GND GND AT29
- AK16 GND GND AT34
- AK21 GND GND AT39
- AK26 GND GND AU3
- AK31 GND GND AU4
- AK36 GND GND AU7
- AL3 GND GND AU8
- AL4 GND GND AU9
- AL7 GND GND AU17
- AL9 GND GND AU22
- AL10 GND GND AU27
- AL11 GND GND AU42
- AL12 GND GND AV1
- AL13 GND GND AV2
- AL19 GND GND AV5
- AL24 GND GND AV7
- AL29 GND GND AV10
- AL34 GND GND AV30
- AL39 GND GND AV35
- AM1 GND GND AV40
- AM2 GND GND AW3
- AM5 GND GND AW4
- AM9 GND GND AW7
- AM12 GND GND AW13
- AM17 GND GND AW18
- AM22 GND GND AW23
- AM27 GND GND AW28
- AM37 GND GND AY1
- AM42 GND GND AY2
- AN3 GND GND AY5
- AN4 GND GND AY6
- AN7 GND GND AY7
- AN9 GND GND AY16
- AN15 GND GND AY21
- AN20 GND GND AY26
- AN25 GND GND AY31
- AN30 GND GND AY36
- AN40 GND GND AY41
- API GND GND B4

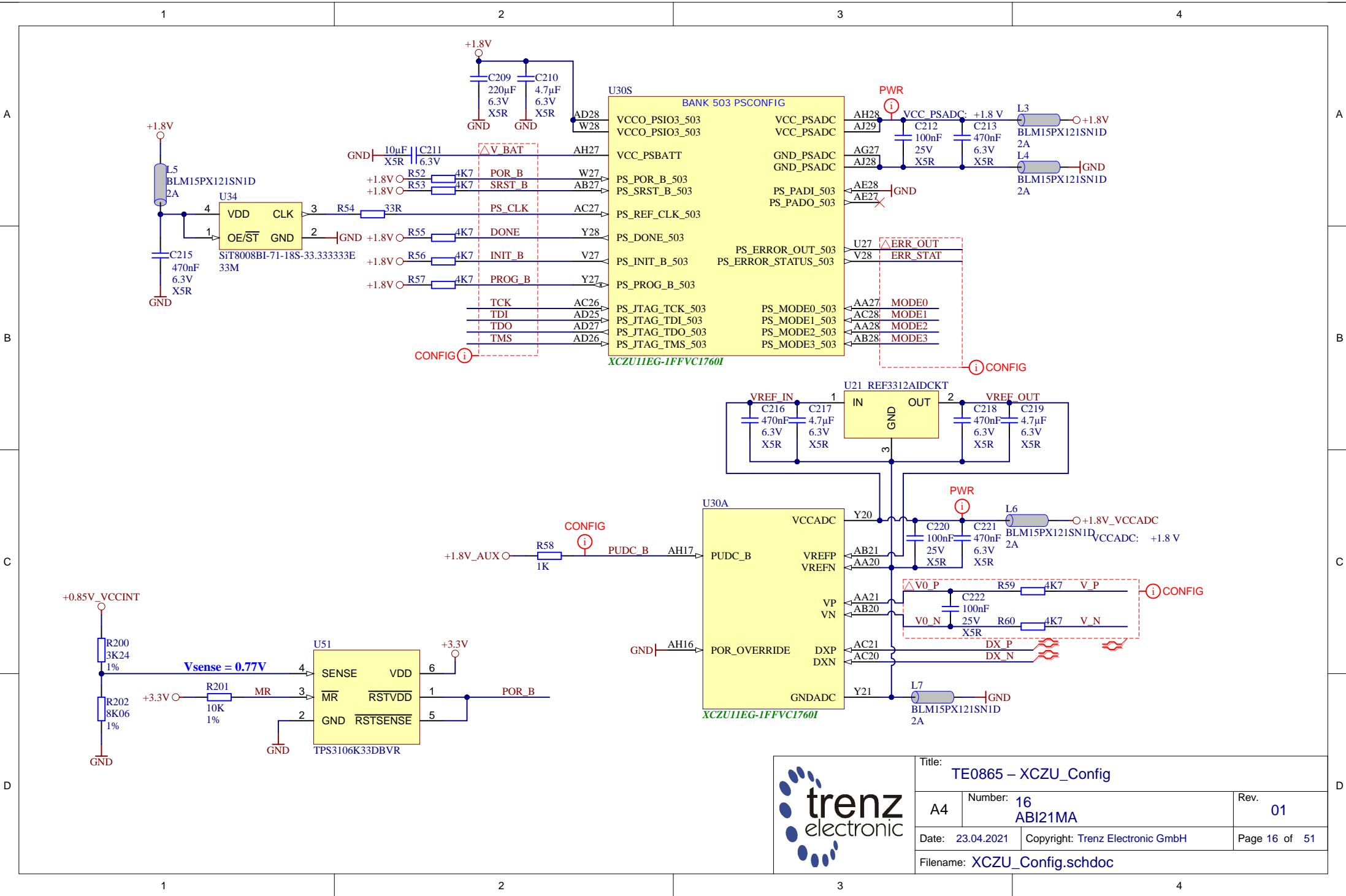
GND XCZU11EG-1FFVC17601 GND

1

2

3

4



| | | |
|------------------------------|----------------------------------|---------------|
| Title: TE0865 – XCZU_Config | | |
| A4 | Number: 16 ABI21MA | Rev. 01 |
| Date: 23.04.2021 | Copyright: Trenz Electronic GmbH | Page 16 of 51 |
| Filename: XCZU_Config.schdoc | | |

1

2

3

4

A

A

B

B

C

C

D

D

DDR4-PS-RAM_1

DDR4-PS-RAM_2

DDR4-PS-RAM_3

DDR4-PS-RAM_4

DDR4-PS-RAM_5

DDR4-PS-TERM



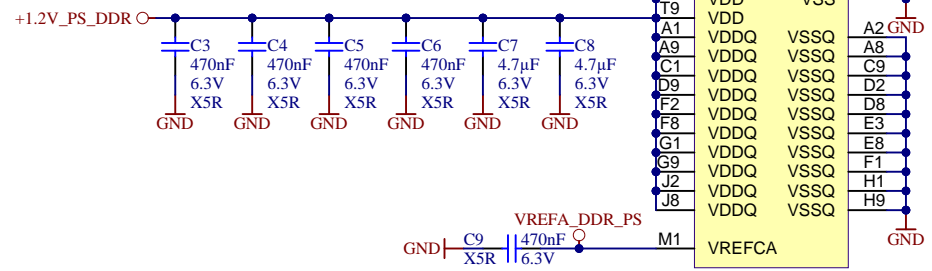
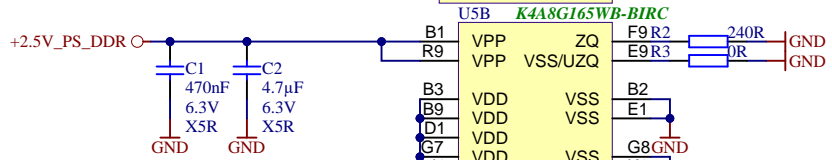
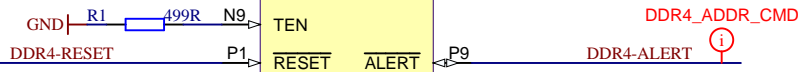
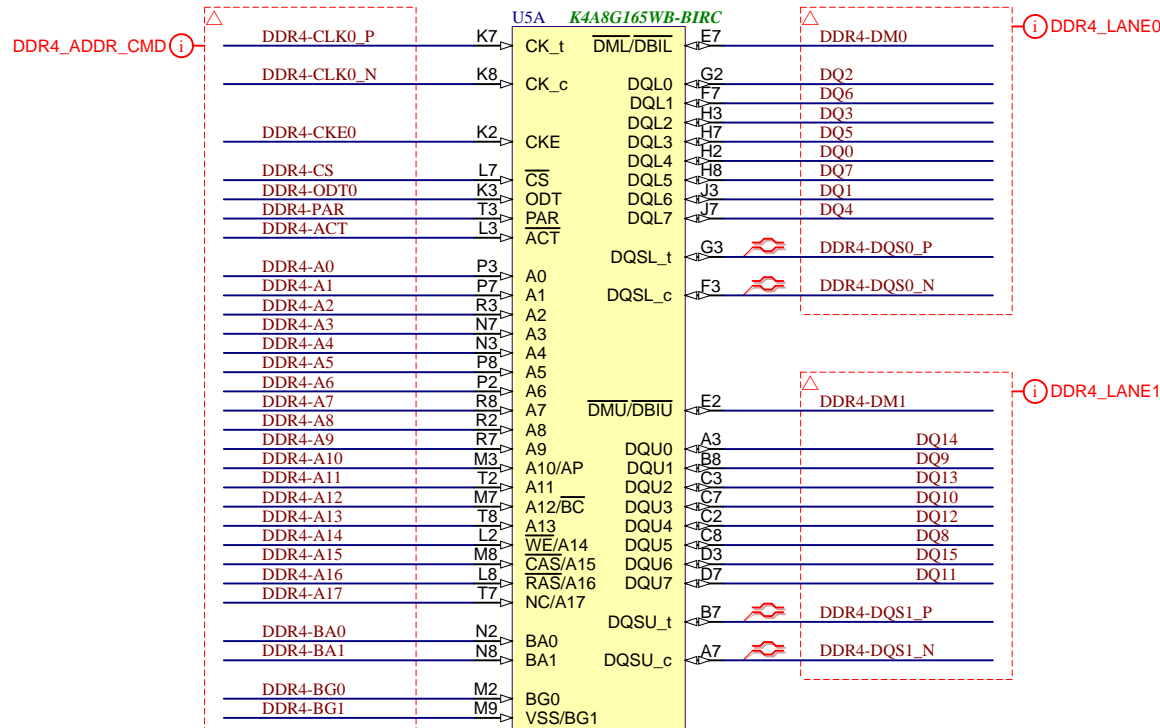
| | | |
|---------------------------------|---|-----------------------------|
| Title: TE0865 – DDR4-PS | | |
| A4 | Number: 17 ABI21MA | Rev. 01 |
| Date: 23.04.2021 | Copyright: Trenz Electronic GmbH | Page 17 of 51 |
| Filename: DDR4-PS.SchDoc | | |

1

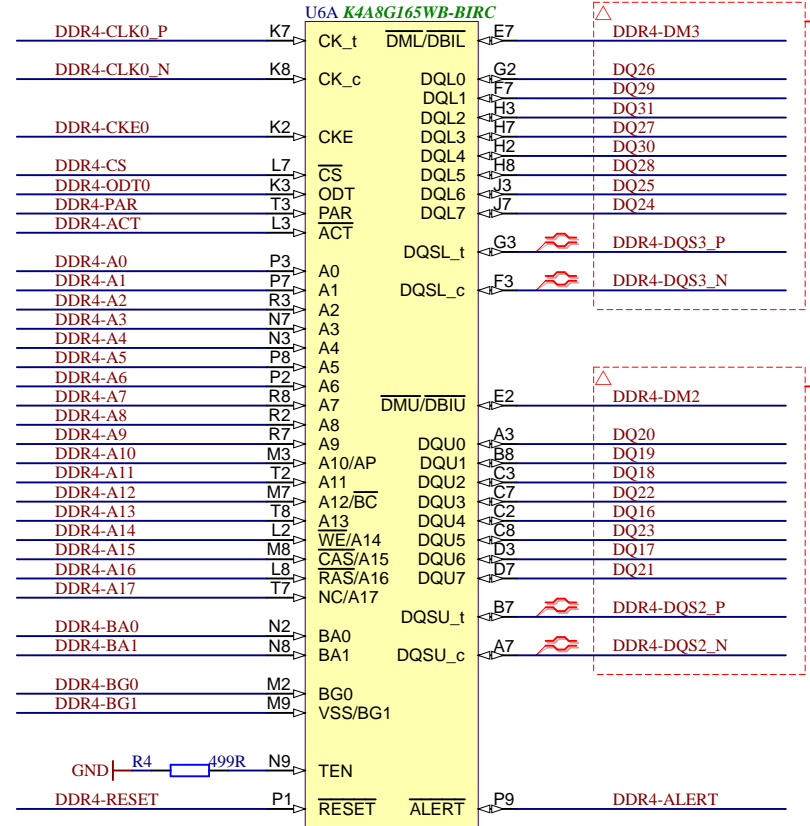
2

3

4

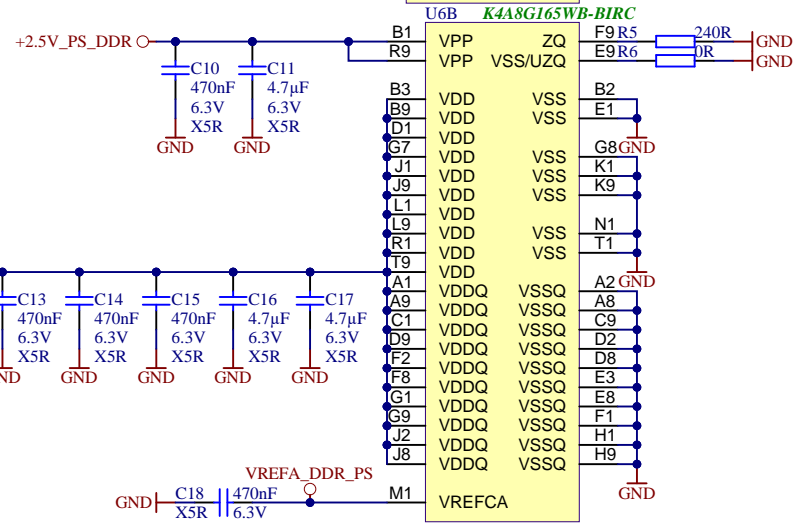


| | | |
|-------------------------------|----------------------------------|---------------|
| Title: TE0865 – DDR4-PS-RAM_1 | | |
| A4 | Number: 18 ABI21MA | Rev. 01 |
| Date: 23.04.2021 | Copyright: Trenz Electronic GmbH | Page 18 of 51 |
| Filename: DDR4-RAM_1.SchDoc | | |

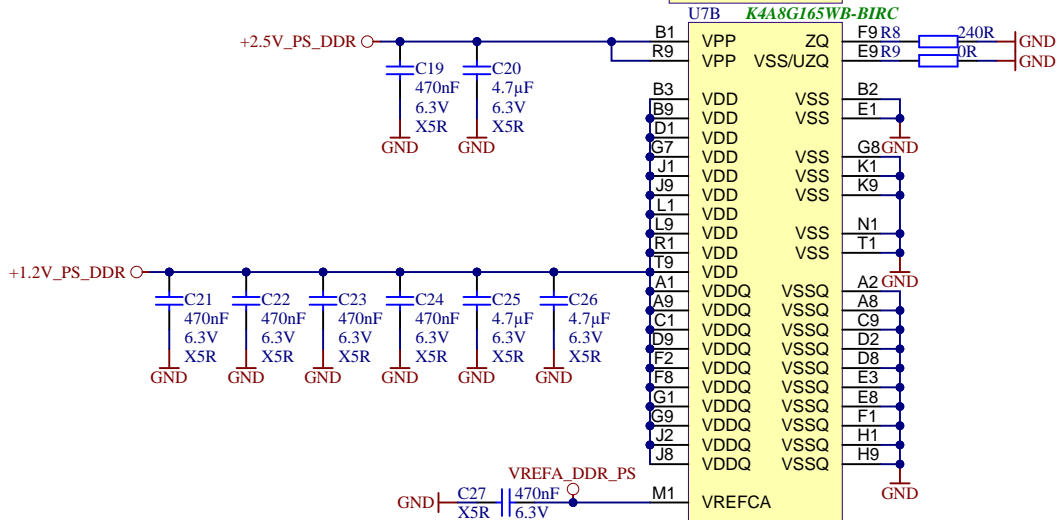
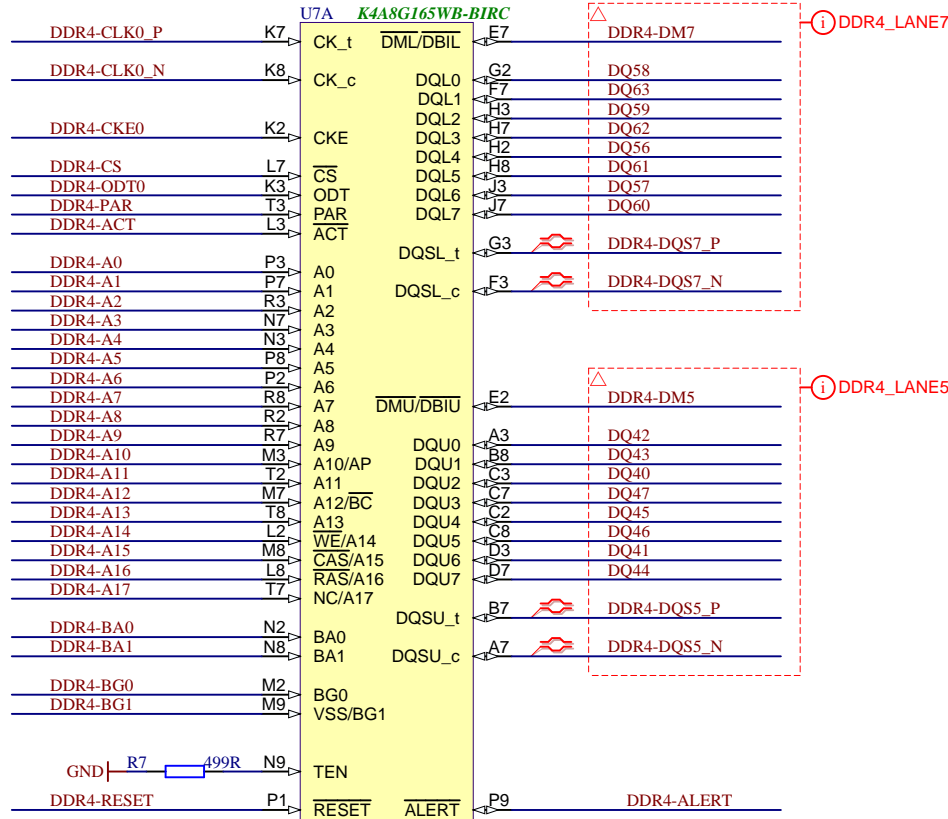


DDR4_LANE3

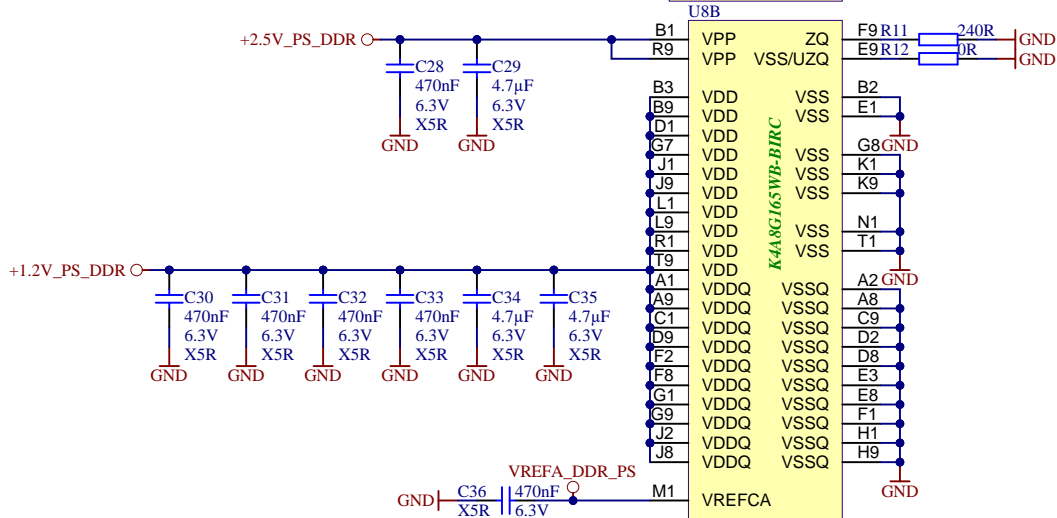
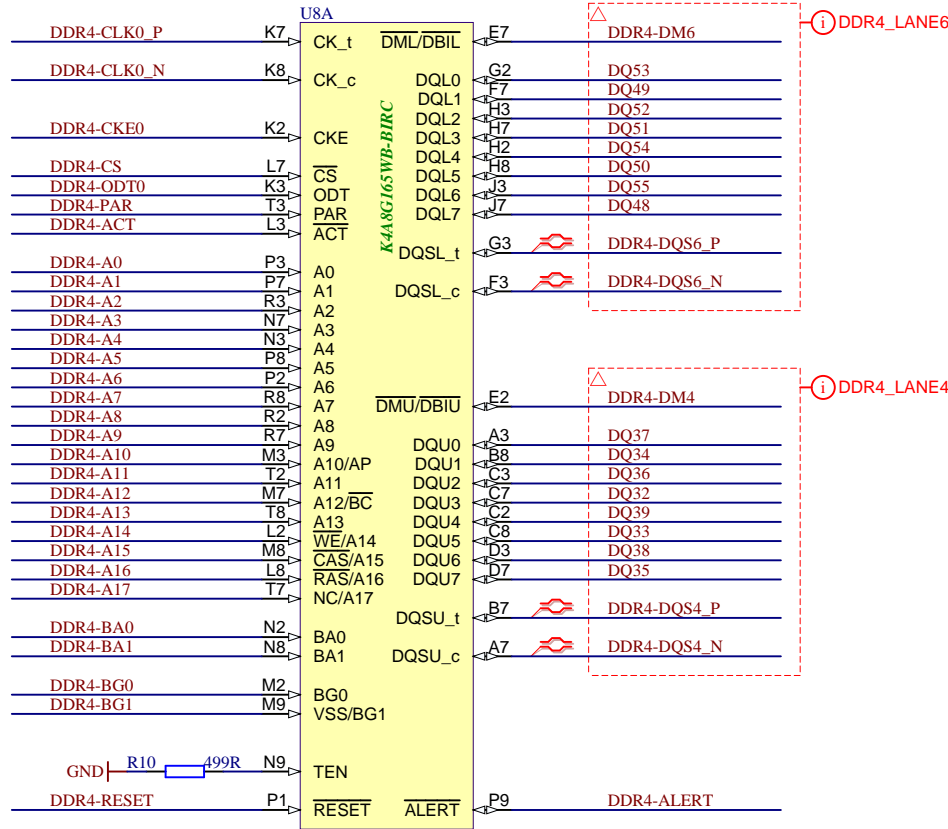
DDR4_LANE2



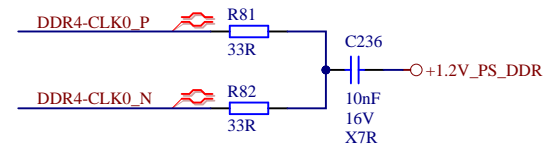
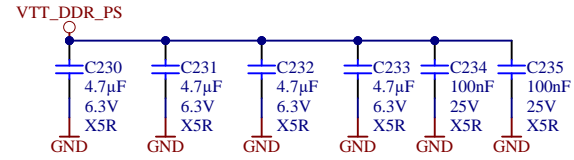
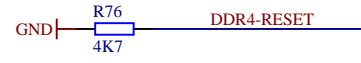
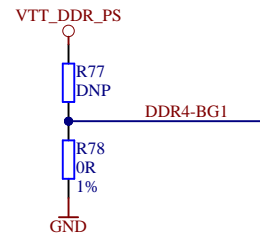
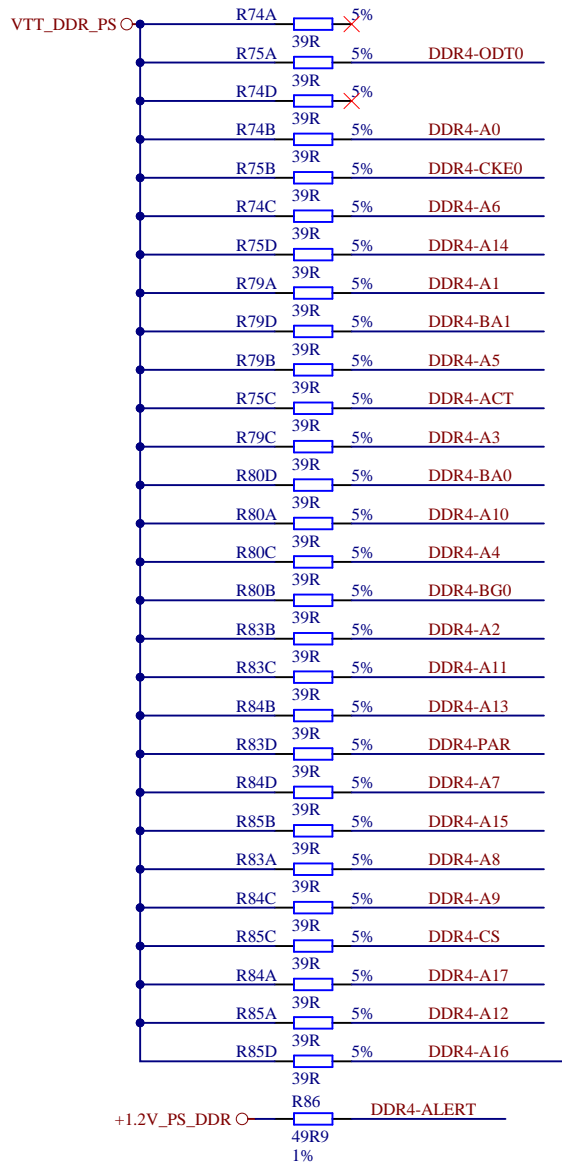
| | | |
|-------------------------------|----------------------------------|---------------|
| Title: TE0865 – DDR4-PS-RAM_2 | | |
| A4 | Number: 19 ABI21MA | Rev. 01 |
| Date: 23.04.2021 | Copyright: Trenz Electronic GmbH | Page 19 of 51 |
| Filename: DDR4-RAM_2.SchDoc | | |



| | | |
|-------------------------------|----------------------------------|---------------|
| Title: TE0865 – DDR4-PS-RAM_3 | | |
| A4 | Number: 20 ABI21MA | Rev. 01 |
| Date: 23.04.2021 | Copyright: Trenz Electronic GmbH | Page 20 of 51 |
| Filename: DDR4-RAM_3.SchDoc | | |



| | | |
|-------------------------------|----------------------------------|---------------|
| Title: TE0865 – DDR4-PS-RAM_4 | | |
| A4 | Number: 21 ABI21MA | Rev. 01 |
| Date: 23.04.2021 | Copyright: Trenz Electronic GmbH | Page 21 of 51 |
| Filename: DDR4-RAM_4.SchDoc | | |



| | | | |
|--|------------------------------|----------------------------------|---------------|
| | Title: TE0865 – DDR4-PS-TERM | | |
| | A4 | Number: 23 ABI21MA | Rev. 01 |
| | Date: 23.04.2021 | Copyright: Trenz Electronic GmbH | Page 23 of 51 |
| | Filename: DDR4-TERM.SchDoc | | |

1

2

3

4

A

A

B

B

C

C

D

D

DDR4-PL-RAM_1

DDR4-PL-RAM_2

DDR4-PL-RAM_3

DDR4-PL-RAM_4

DDR4-PL-TERM



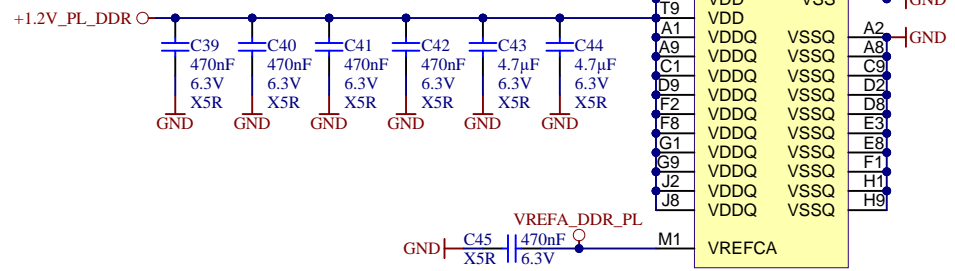
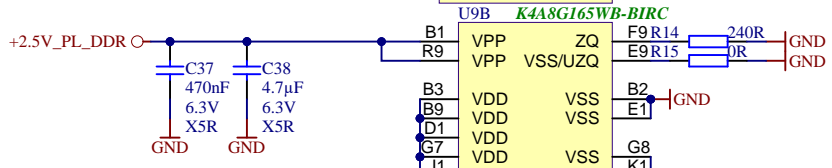
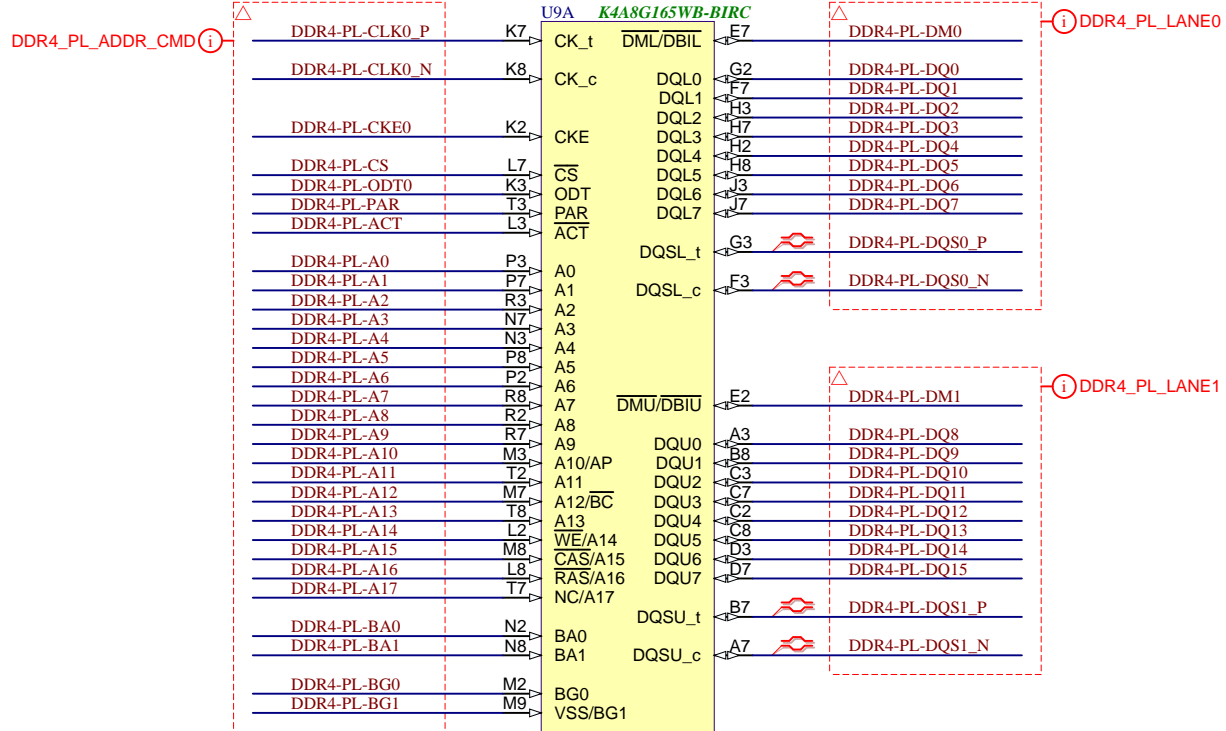
| | | |
|---------------------------------|---|-----------------------------|
| Title: TE0865 – DDR4-PL | | |
| A4 | Number: 24 ABI21MA | Rev. 01 |
| Date: 23.04.2021 | Copyright: Trenz Electronic GmbH | Page 24 of 51 |
| Filename: DDR4-PL.SchDoc | | |

1

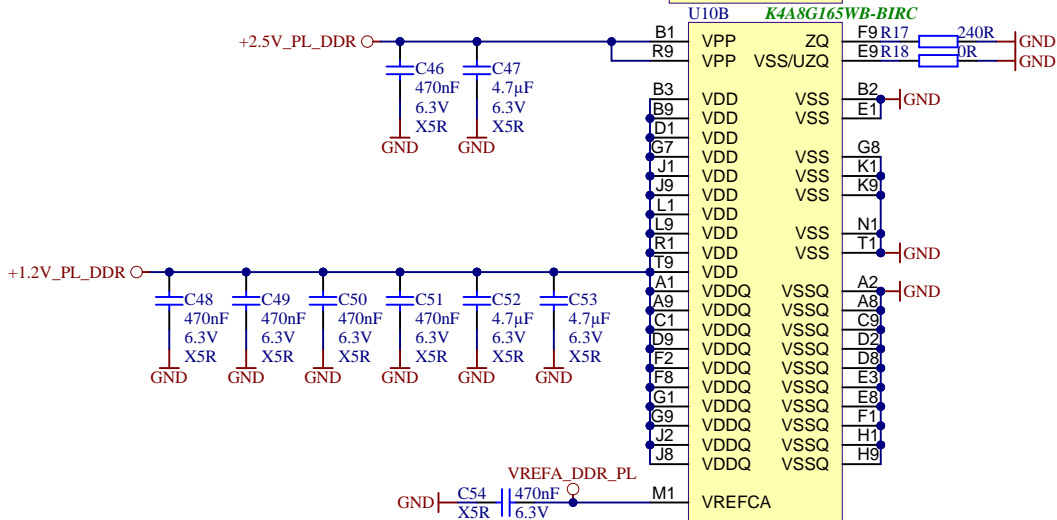
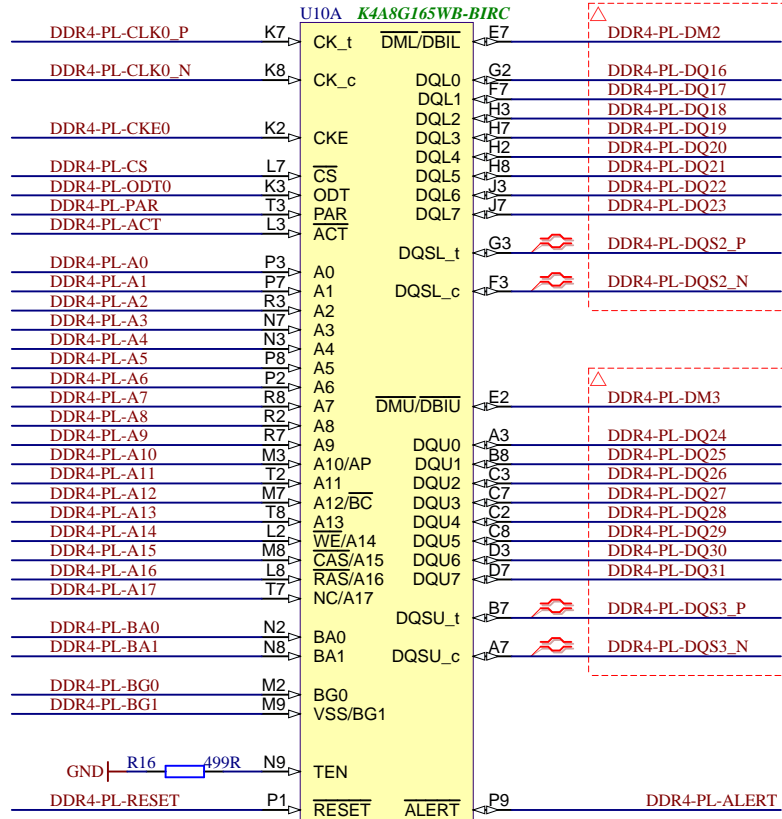
2

3

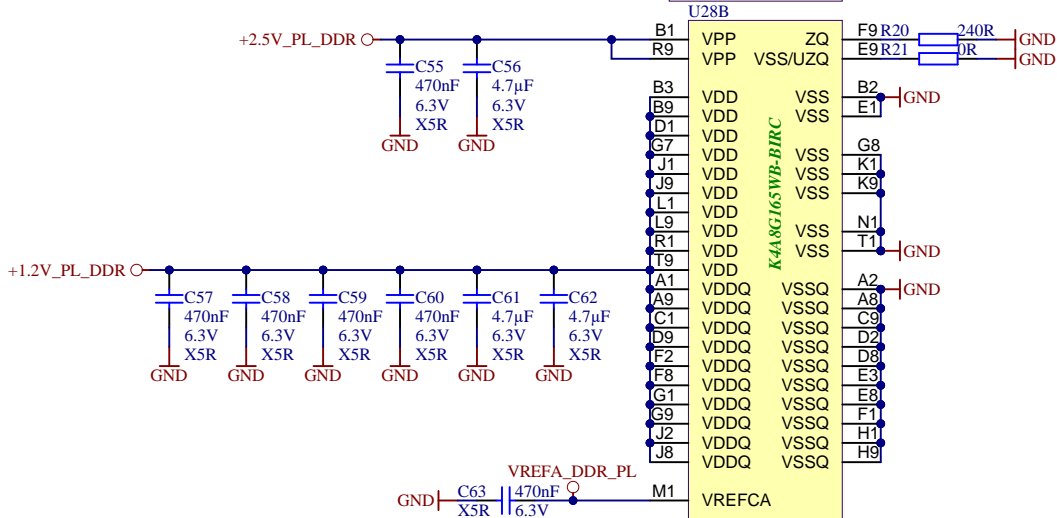
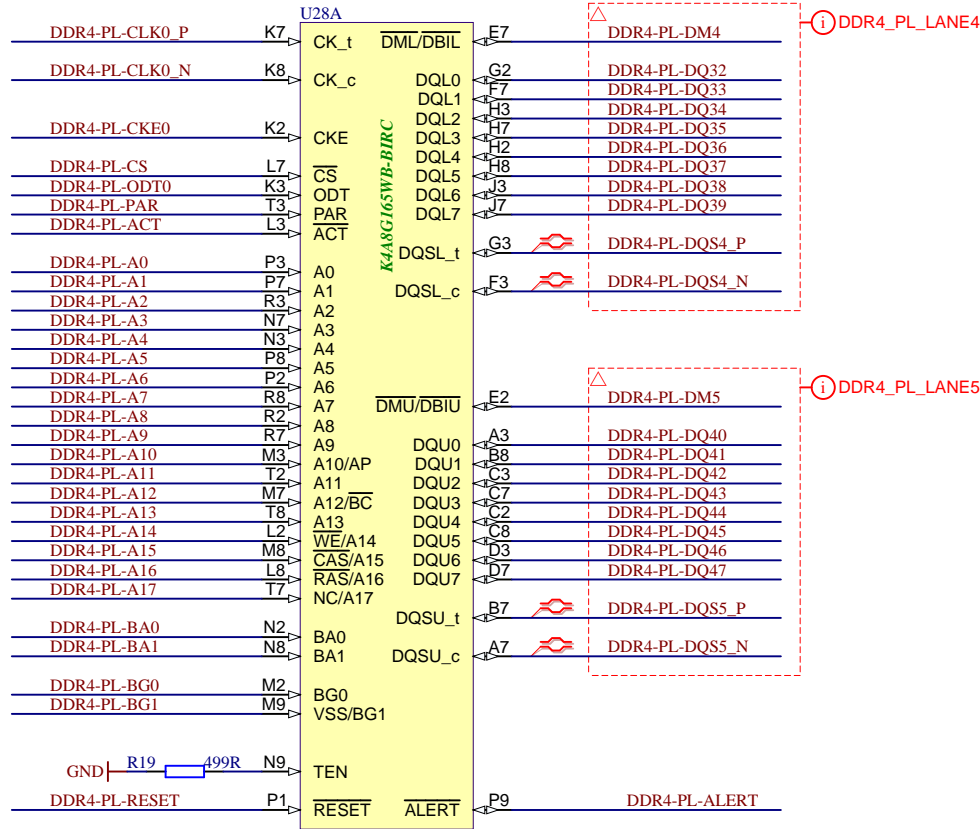
4



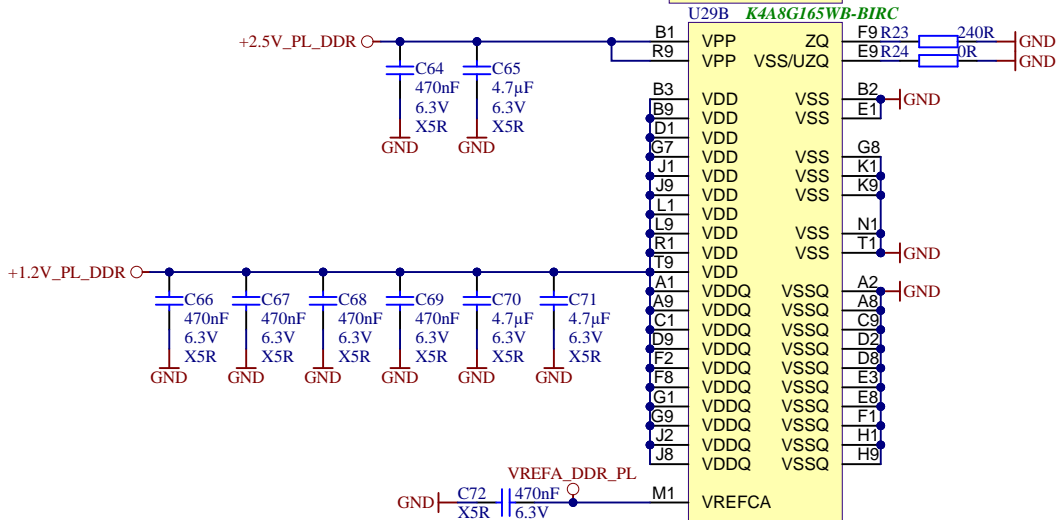
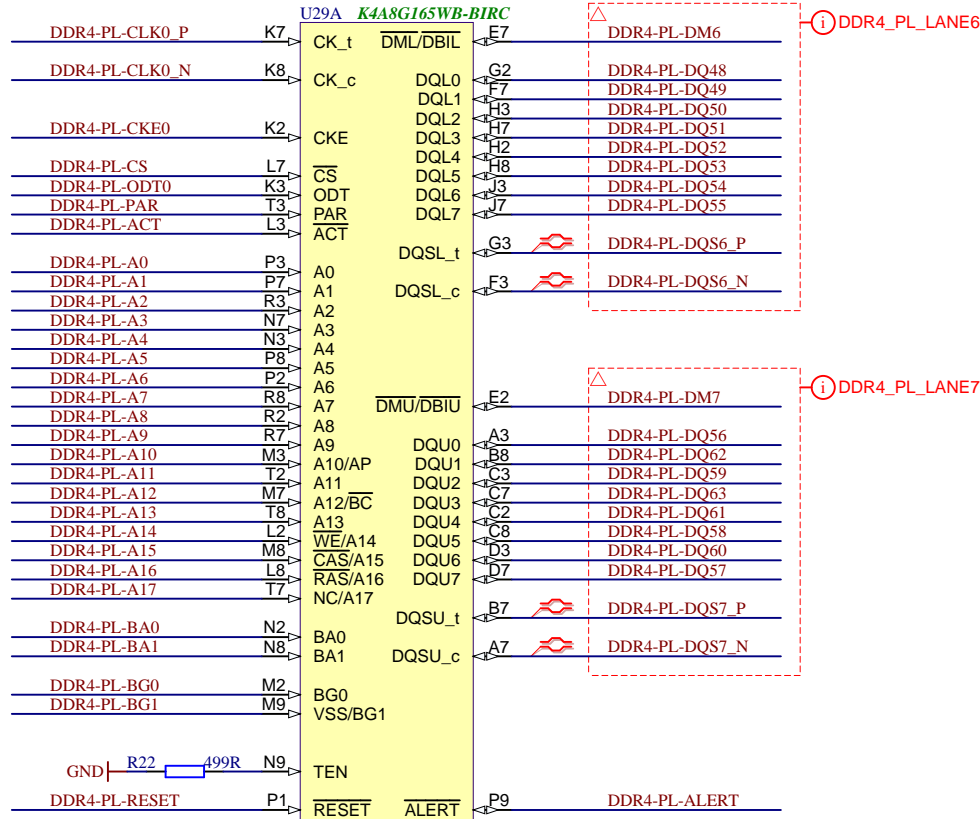
| | | |
|--------------------------------|----------------------------------|---------------|
| Title: TE0865 – DDR4-PL-RAM_1 | | |
| A4 | Number: 25 ABI21MA | Rev. 01 |
| Date: 23.04.2021 | Copyright: Trenz Electronic GmbH | Page 25 of 51 |
| Filename: DDR4-PL-RAM_1.SchDoc | | |



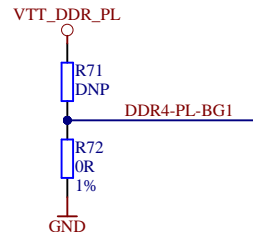
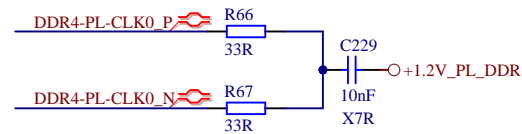
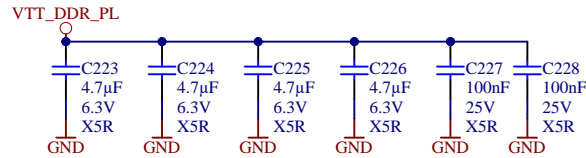
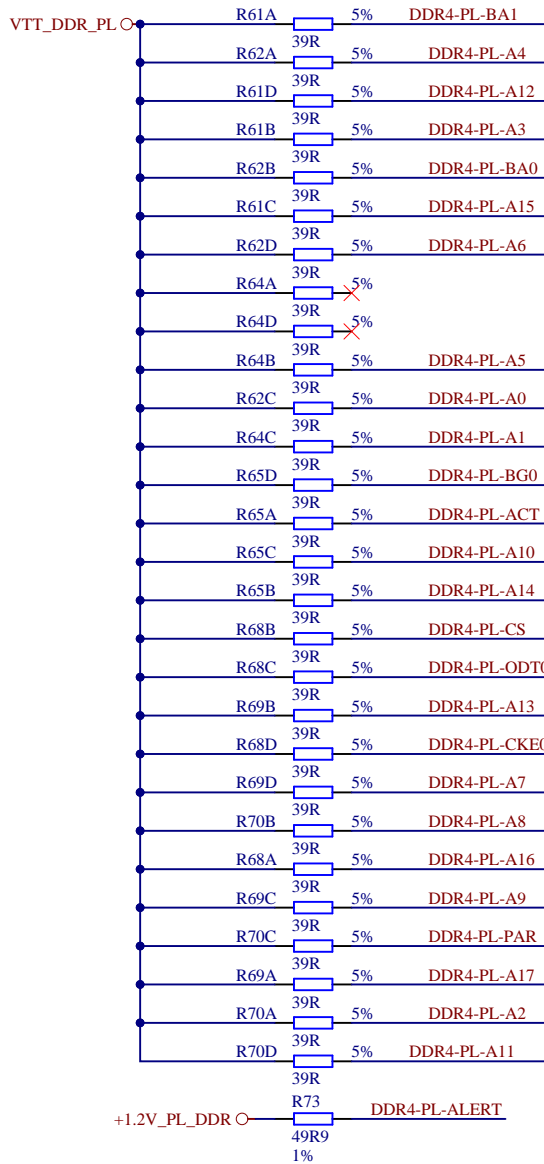
| | | |
|--------------------------------|----------------------------------|---------------|
| Title: TE0865 – DDR4-PL-RAM_2 | | |
| A4 | Number: 26 ABI21MA | Rev. 01 |
| Date: 23.04.2021 | Copyright: Trenz Electronic GmbH | Page 26 of 51 |
| Filename: DDR4-PL-RAM_2.SchDoc | | |



| | | |
|--------------------------------|----------------------------------|---------------|
| Title: TE0865 – DDR4-PL-RAM_3 | | |
| A4 | Number: 27 ABI21MA | Rev. 01 |
| Date: 23.04.2021 | Copyright: Trenz Electronic GmbH | Page 27 of 51 |
| Filename: DDR4-PL-RAM_3.SchDoc | | |

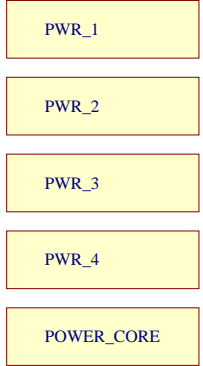
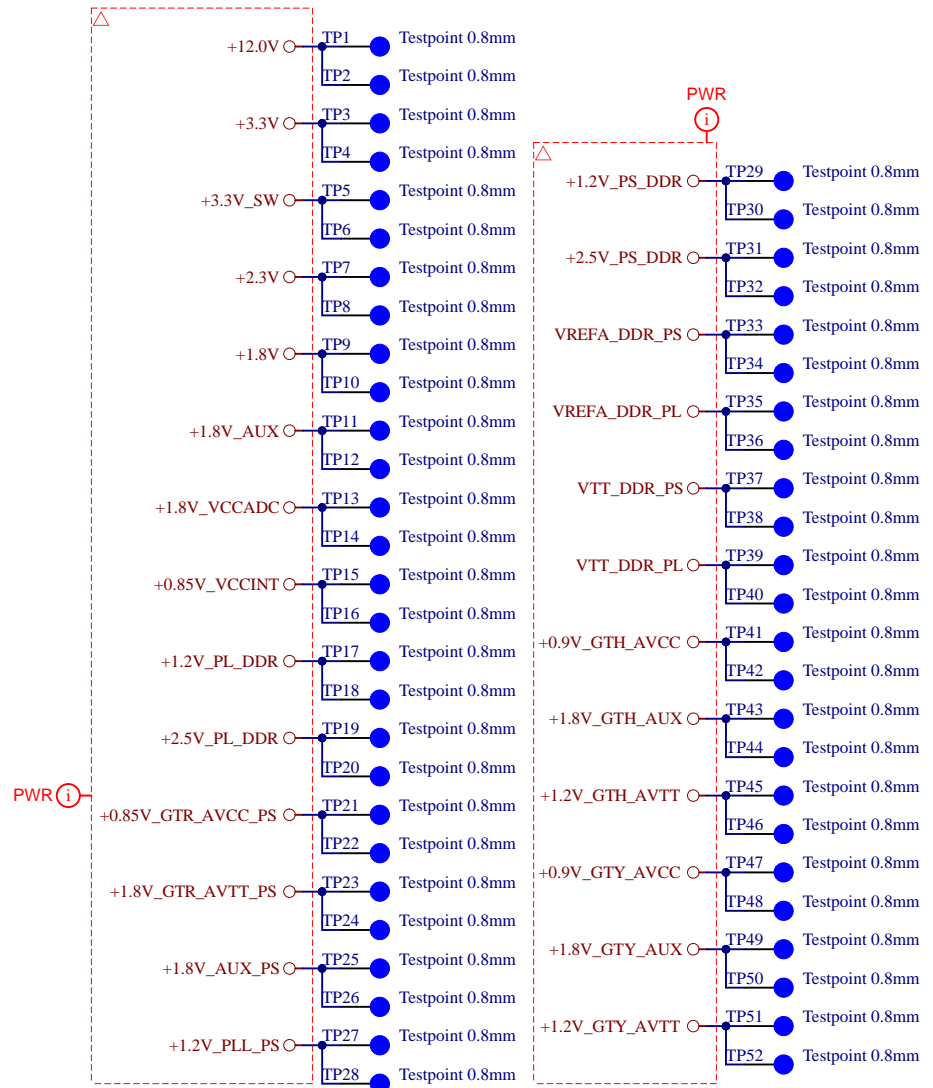
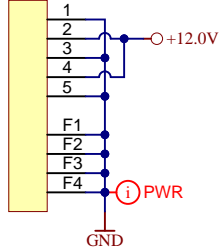


| | | |
|--------------------------------|----------------------------------|---------------|
| Title: TE0865 – DDR4-PL-RAM_4 | | |
| A4 | Number: 28 ABI21MA | Rev. 01 |
| Date: 23.04.2021 | Copyright: Trenz Electronic GmbH | Page 28 of 51 |
| Filename: DDR4-PL-RAM_4.SchDoc | | |



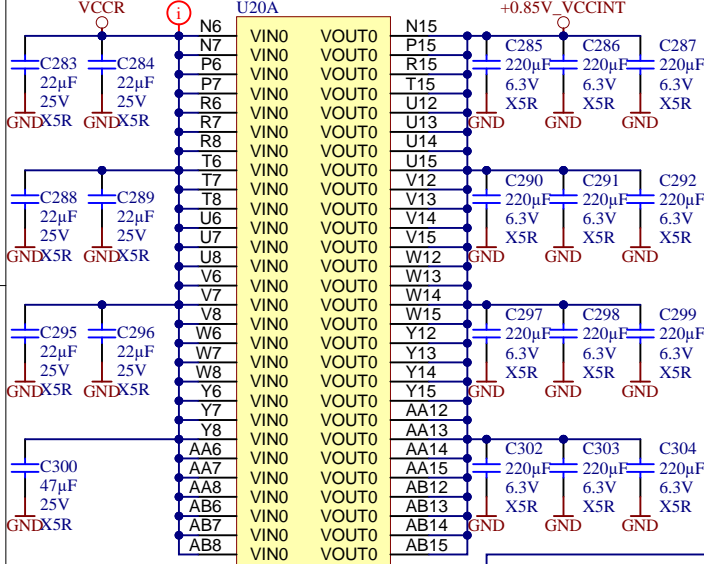
| | | |
|-------------------------------|----------------------------------|---------------|
| Title: TE0865 – DDR4-PL-TERM | | |
| A4 | Number: 29 ABI21MA | Rev. 01 |
| Date: 23.04.2021 | Copyright: Trenz Electronic GmbH | Page 29 of 51 |
| Filename: DDR4-PL-TERM.SchDoc | | |

UMPT-05-01.5-G-VT-SM-WT-K
J5

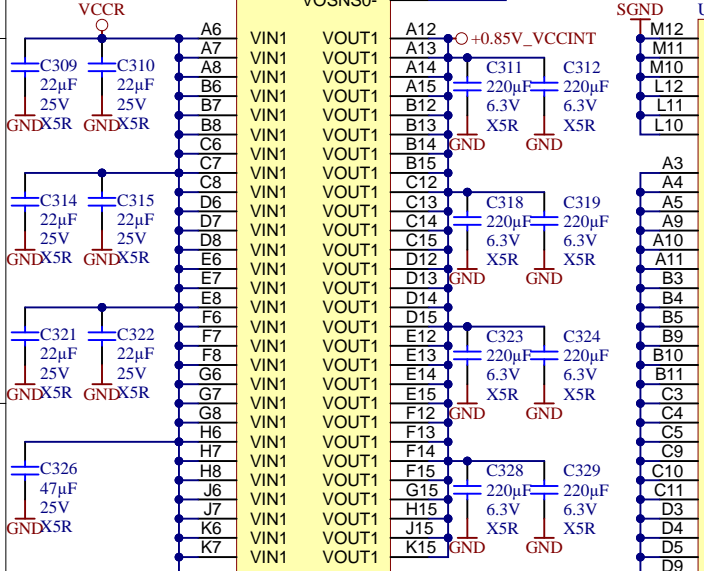


| | | |
|------------------------|----------------------------------|---------------|
| Title: TE0865 – POWER | | |
| A4 | Number: 30 ABI21MA | Rev. 01 |
| Date: 23.04.2021 | Copyright: Trenz Electronic GmbH | Page 30 of 51 |
| Filename: POWER.SchDoc | | |

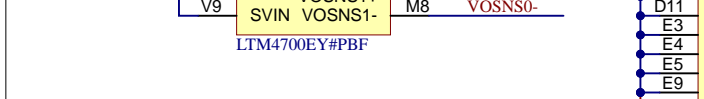
VCCR = +12.0 V PWR



VCCR = +12.0 V



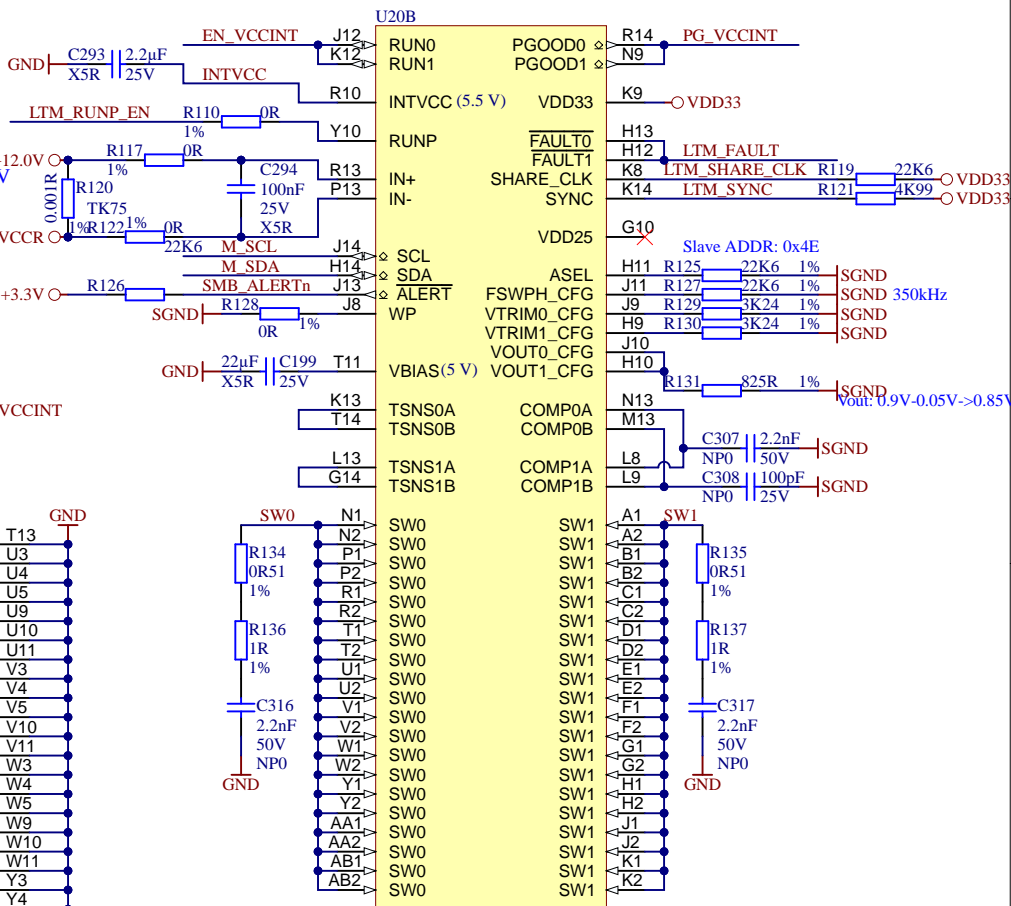
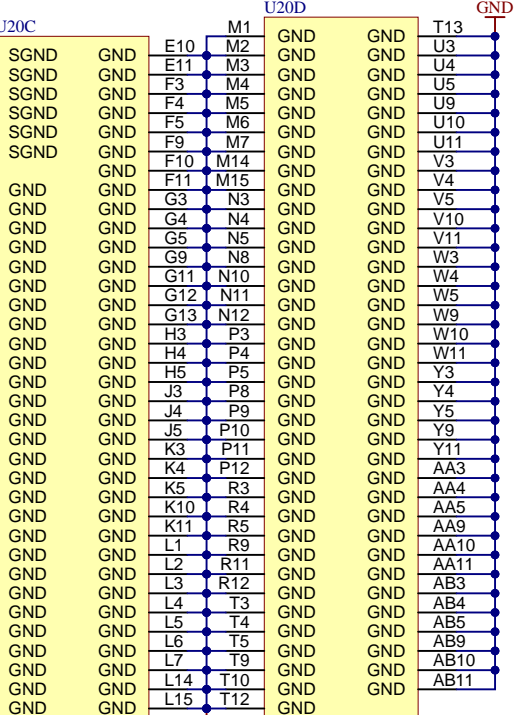
VCCR = +12.0 V



Kelvin connection

VIN=12V

Load



| | | |
|-----------------------------|----------------------------------|---------------|
| Title: TE0865 - POWER_CORE | | |
| A4 | Number: 31 ABI21MA | Rev. 01 |
| Date: 23.04.2021 | Copyright: Trenz Electronic GmbH | Page 31 of 51 |
| Filename: POWER_CORE.SchDoc | | |

1

2

3

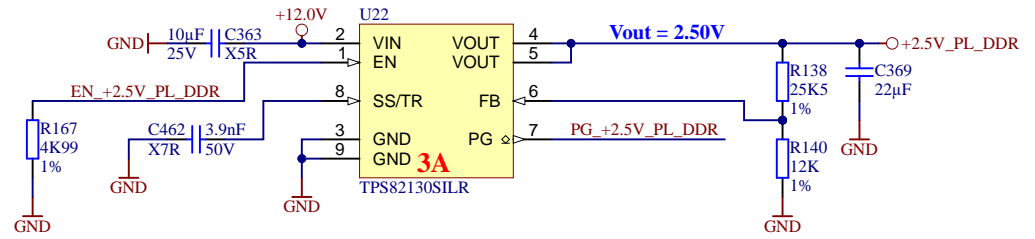
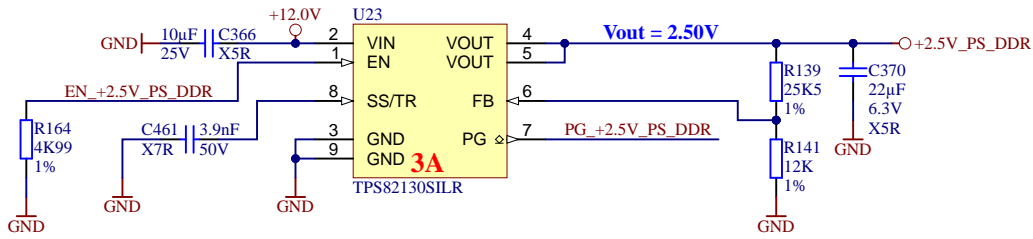
4

A

A

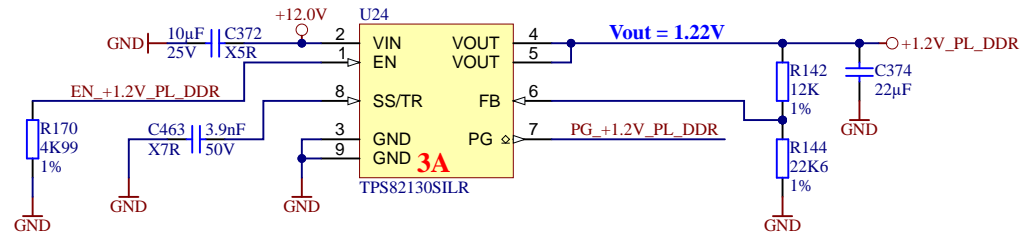
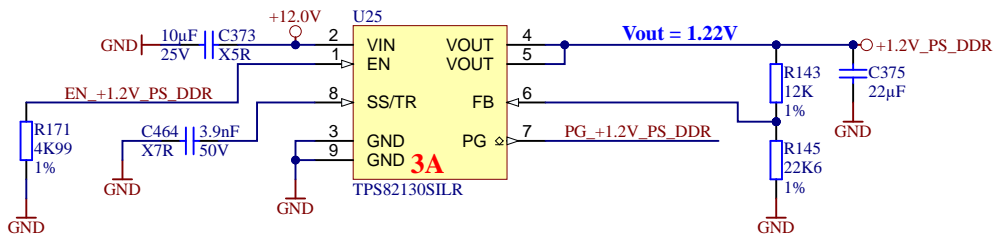
DDR PS

DDR PL



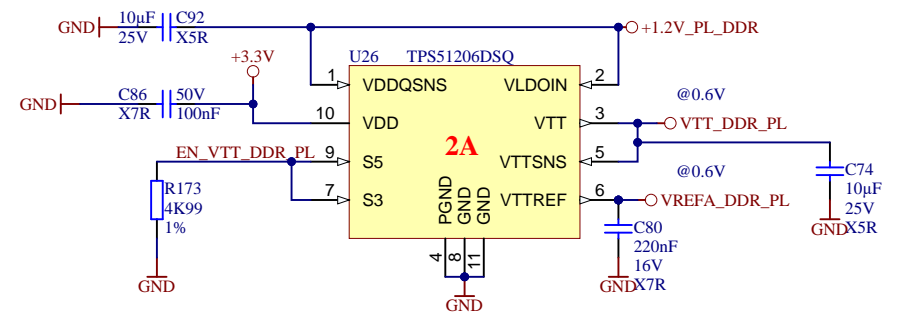
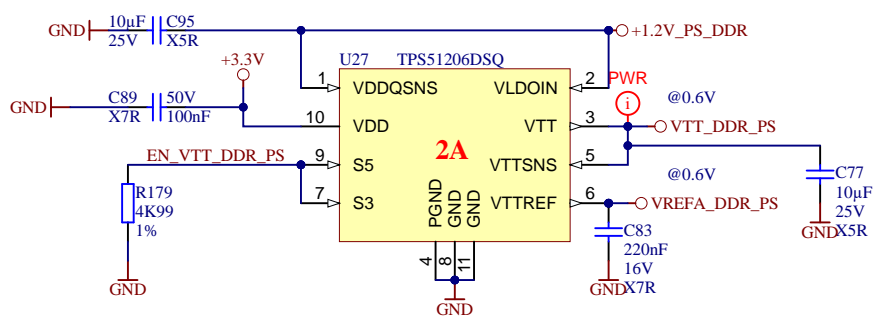
B

B



C

C



D

D



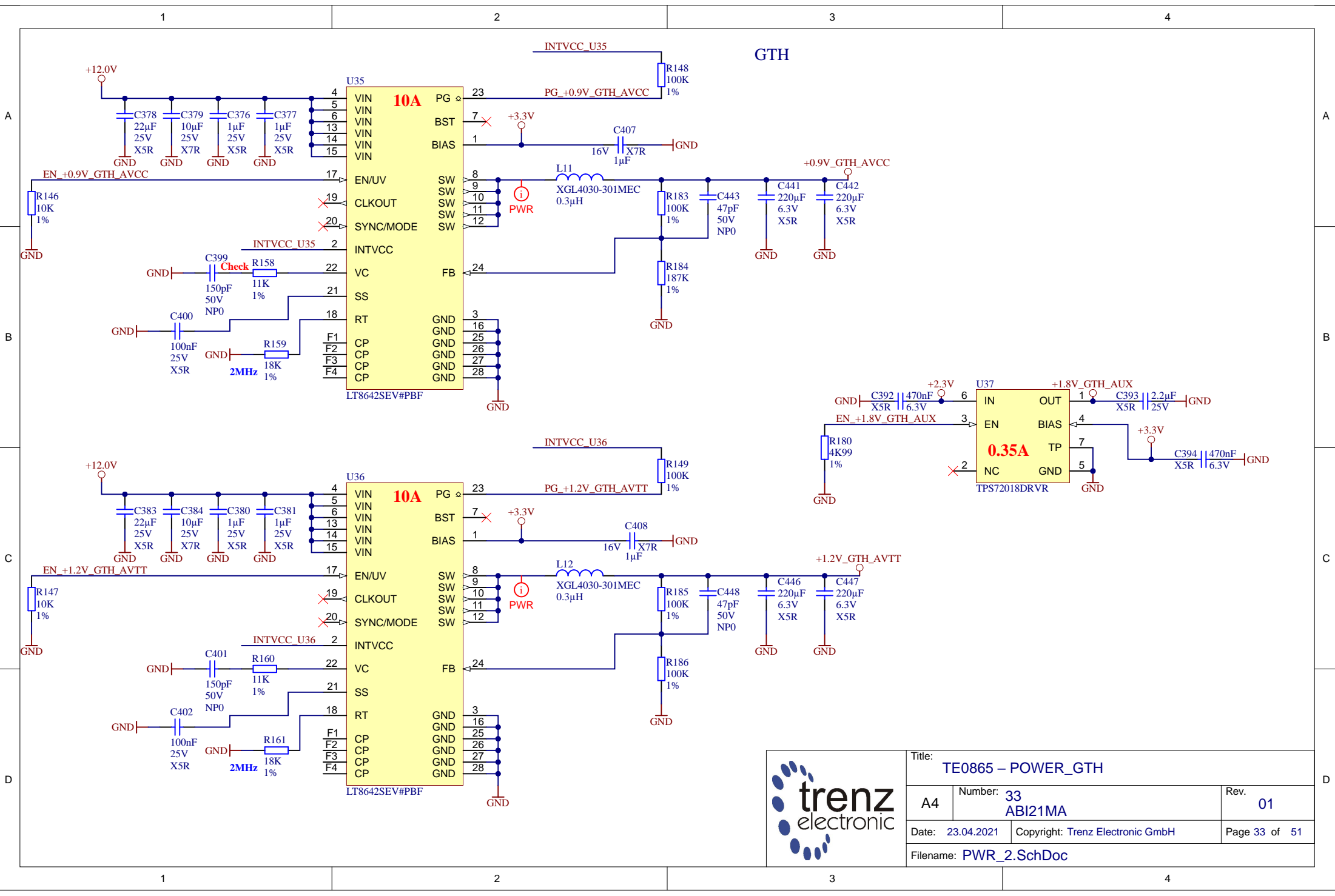
| | | |
|----------------------------|----------------------------------|---------------|
| Title: TE0865 – POWER_DDRs | | |
| A4 | Number: 32 ABI21MA | Rev. 01 |
| Date: 23.04.2021 | Copyright: Trenz Electronic GmbH | Page 32 of 51 |
| Filename: PWR_1.SchDoc | | |


1

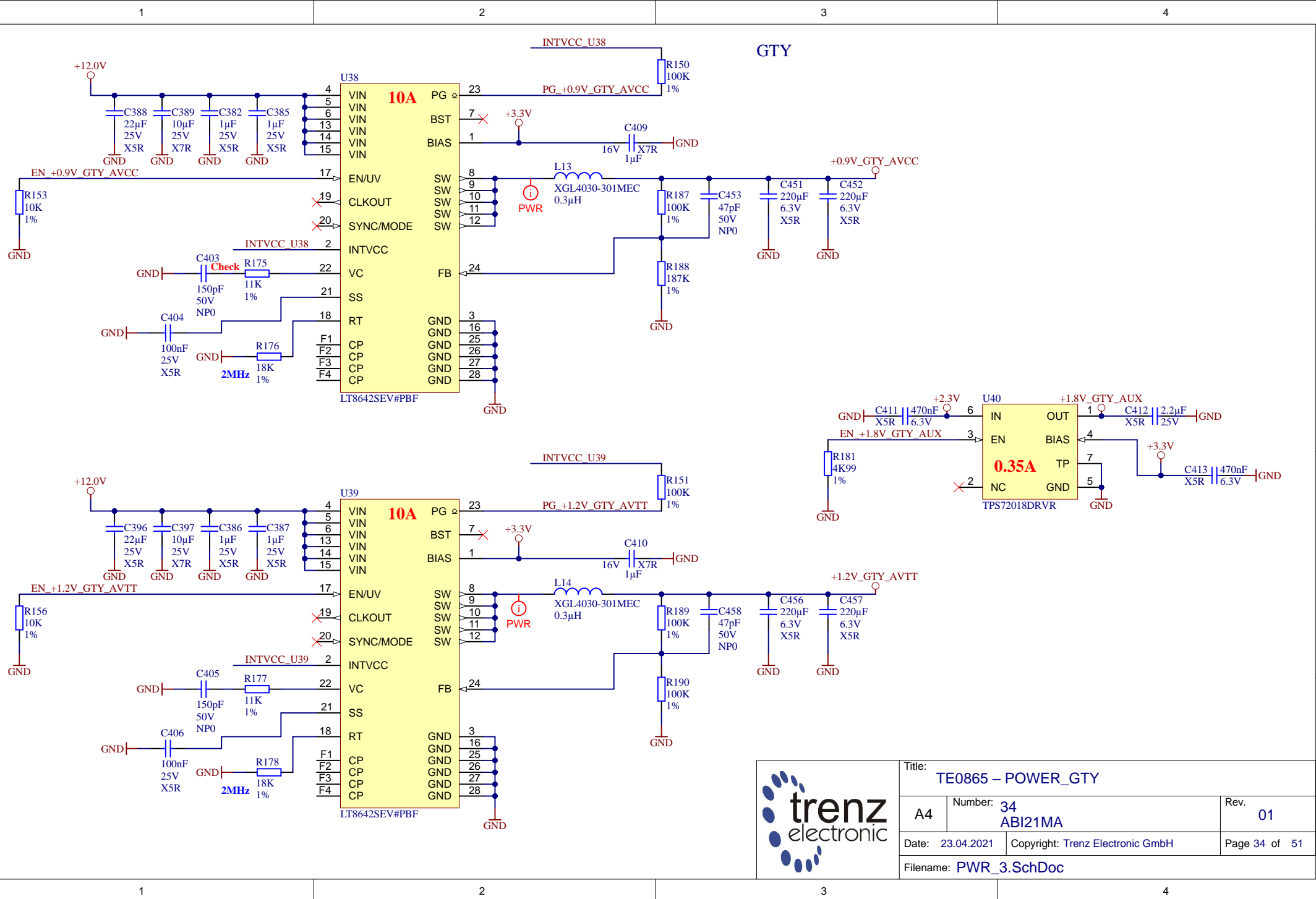
2

3

4



| | | | | |
|---|--|----------------------------------|---------------------------|-----------------------|
|  | | | Title: TE0865 – POWER_GTH | |
| | | | A4 | Number: 33 ABI21MA |
| Date: 23.04.2021 | | Copyright: Trenz Electronic GmbH | | Page 33 of 51 |
| Filename: PWR_2.SchDoc | | | | |



| | | |
|----------------------------------|-------------------------------------|----------------|
| Title: TE0865 – POWER_GTY | | |
| A4 | Number: 34 ABI21MA | Rev. 01 |
| Date: 23.04.2021 | Copyright: Trenz Electronic GmbH | Page 34 of 51 |
| Filename: PWR_3.SchDoc | | |

1

2

3

4

A

A

B

B

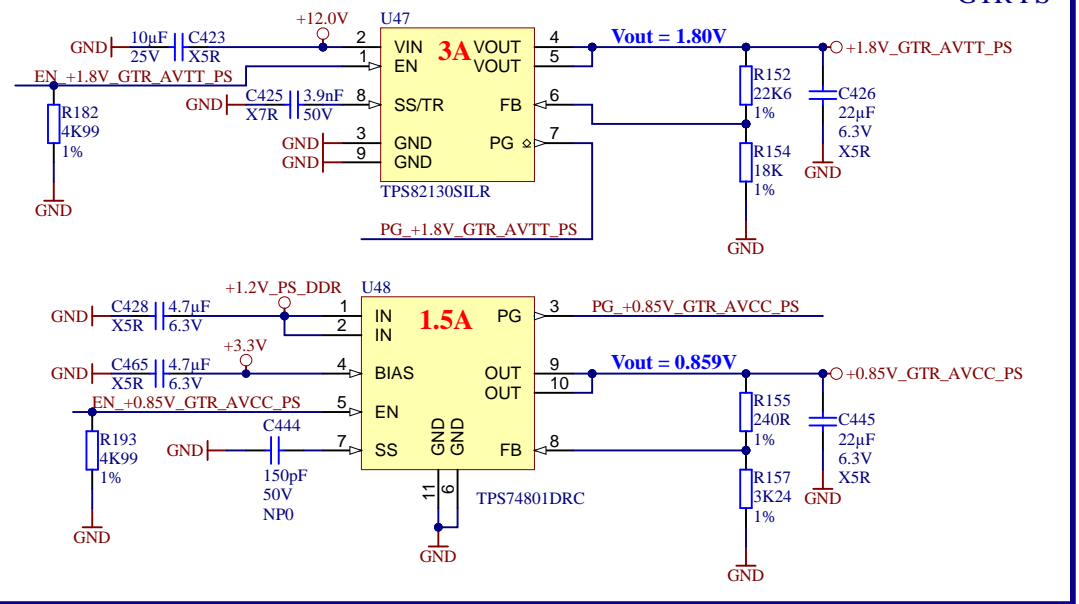
C

C

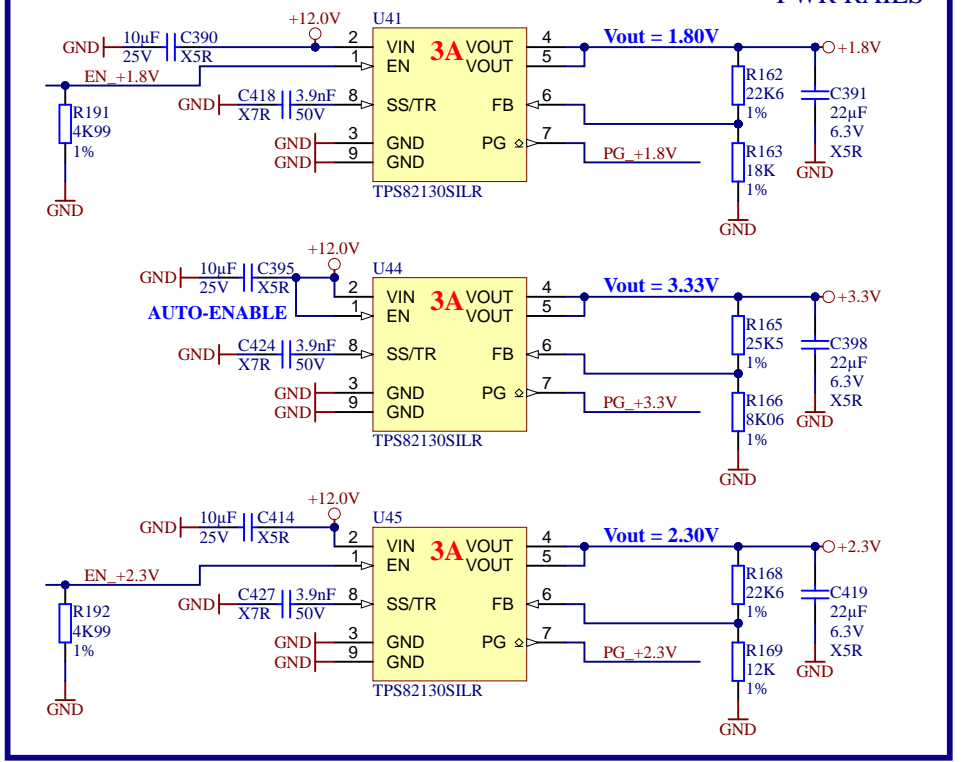
D

D

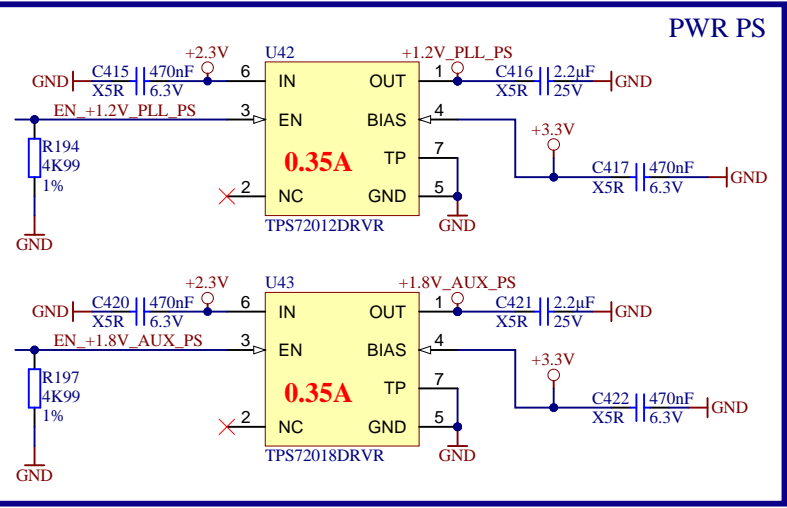
GTR PS



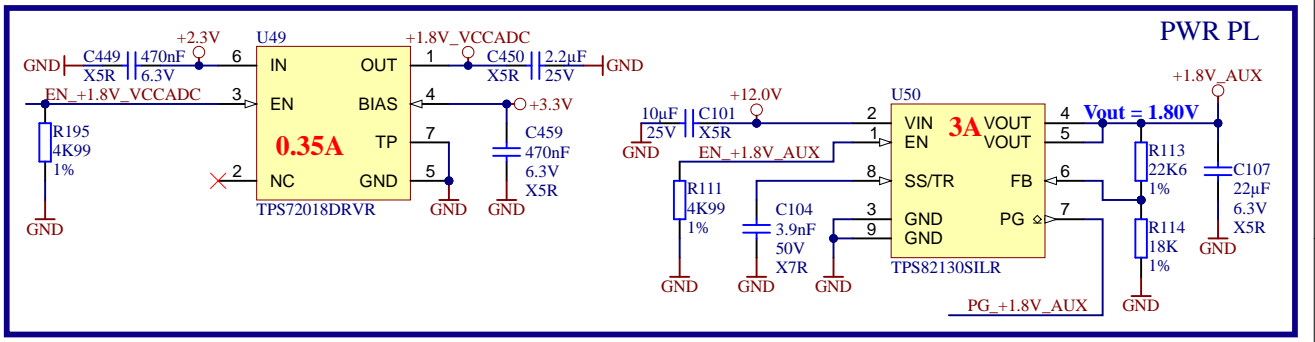
PWR RAILS



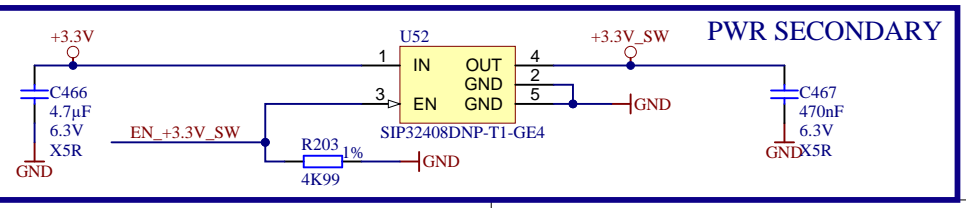
PWR PS



PWR PL



PWR SECONDARY



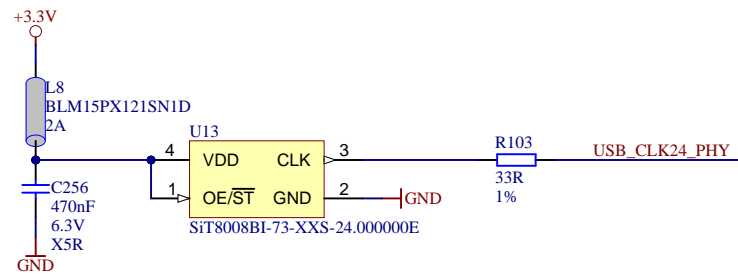
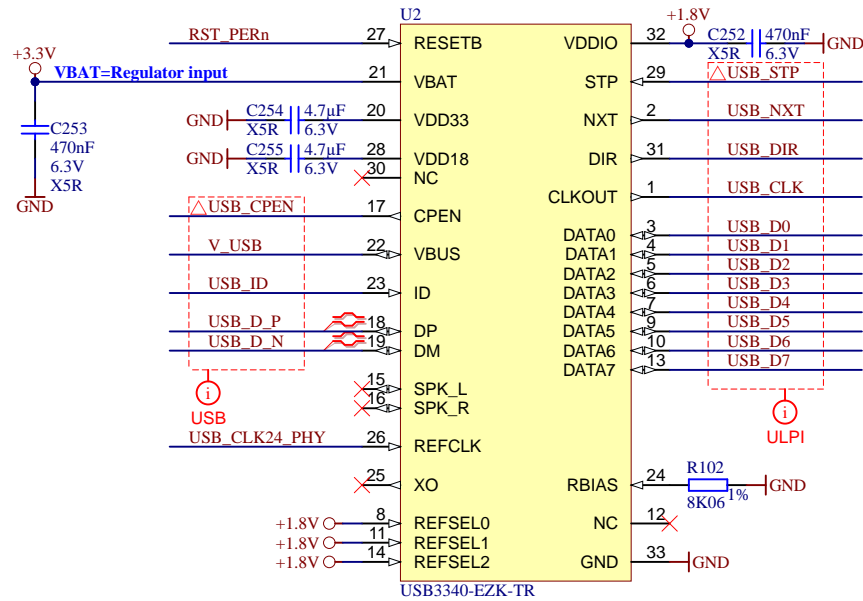
| | | |
|-----------------------------------|----------------------------------|---------------|
| Title: TE0865 – POWER_RAILS_PS-PL | | |
| A4 | Number: 35 ABI21MA | Rev. 01 |
| Date: 23.04.2021 | Copyright: Trenz Electronic GmbH | Page 35 of 51 |
| Filename: PWR_4.SchDoc | | |

1

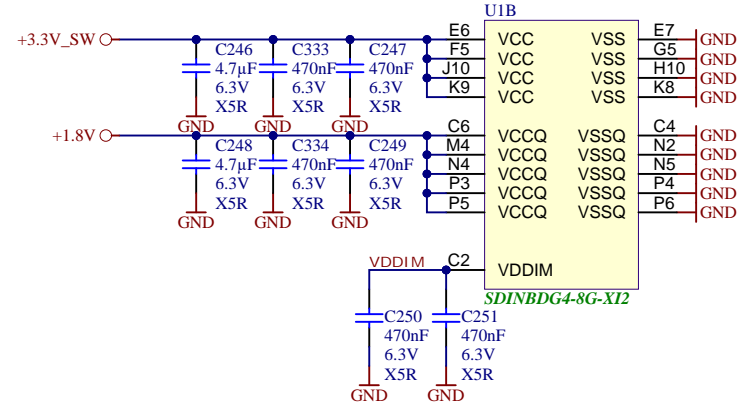
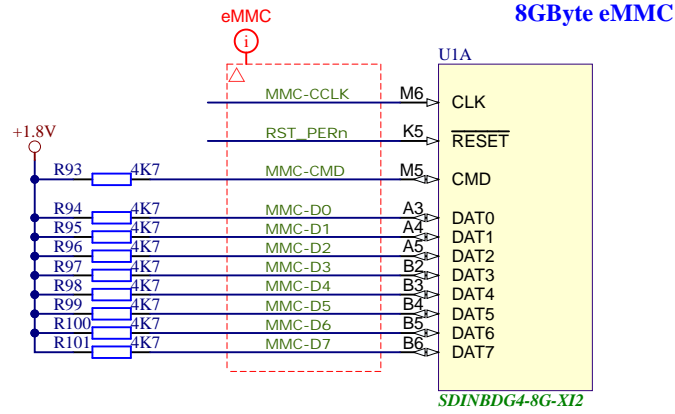
2

3

4



| | | |
|-------------------------|----------------------------------|---------------|
| Title: TE0865 – USBPHY | | |
| A4 | Number: 36 ABI21MA | Rev. 01 |
| Date: 23.04.2021 | Copyright: Trenz Electronic GmbH | Page 36 of 51 |
| Filename: USBPHY.SchDoc | | |



UID

| | | | |
|-----|----|----|-----|
| A1 | NC | NC | H2 |
| A2 | NC | NC | H3 |
| A8 | NC | NC | H12 |
| A9 | NC | NC | H13 |
| A10 | NC | NC | H14 |
| A11 | NC | NC | J1 |
| A12 | NC | NC | J2 |
| A13 | NC | NC | J3 |
| A14 | NC | NC | J12 |
| A14 | NC | NC | J13 |
| B1 | NC | NC | J14 |
| B7 | NC | NC | K1 |
| B8 | NC | NC | K2 |
| B9 | NC | NC | K3 |
| B10 | NC | NC | K12 |
| B11 | NC | NC | K13 |
| B12 | NC | NC | K14 |
| B13 | NC | NC | L1 |
| C1 | NC | NC | L2 |
| C3 | NC | NC | L3 |
| C7 | NC | NC | L12 |
| C8 | NC | NC | L13 |
| C9 | NC | NC | L14 |
| C10 | NC | NC | M1 |
| C11 | NC | NC | M2 |
| C12 | NC | NC | M3 |
| C13 | NC | NC | M7 |
| C14 | NC | NC | M8 |
| D1 | NC | NC | M9 |
| D2 | NC | NC | M10 |
| D3 | NC | NC | M11 |
| D4 | NC | NC | M12 |
| D12 | NC | NC | M13 |
| D13 | NC | NC | M14 |
| D14 | NC | NC | N1 |
| E1 | NC | NC | N3 |
| E2 | NC | NC | N6 |
| E3 | NC | NC | N7 |
| E12 | NC | NC | N8 |
| E13 | NC | NC | N9 |
| E14 | NC | NC | N10 |
| F1 | NC | NC | N11 |
| F2 | NC | NC | N12 |
| F3 | NC | NC | N13 |
| F12 | NC | NC | N14 |
| F13 | NC | NC | P1 |
| F14 | NC | NC | P2 |
| G1 | NC | NC | P8 |
| G2 | NC | NC | P9 |
| G12 | NC | NC | P11 |
| G13 | NC | NC | P12 |
| G14 | NC | NC | P13 |
| H1 | NC | NC | P14 |
| H1 | NC | NC | |

SDINBDG4-8G-XI2

UIC

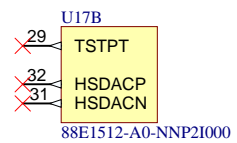
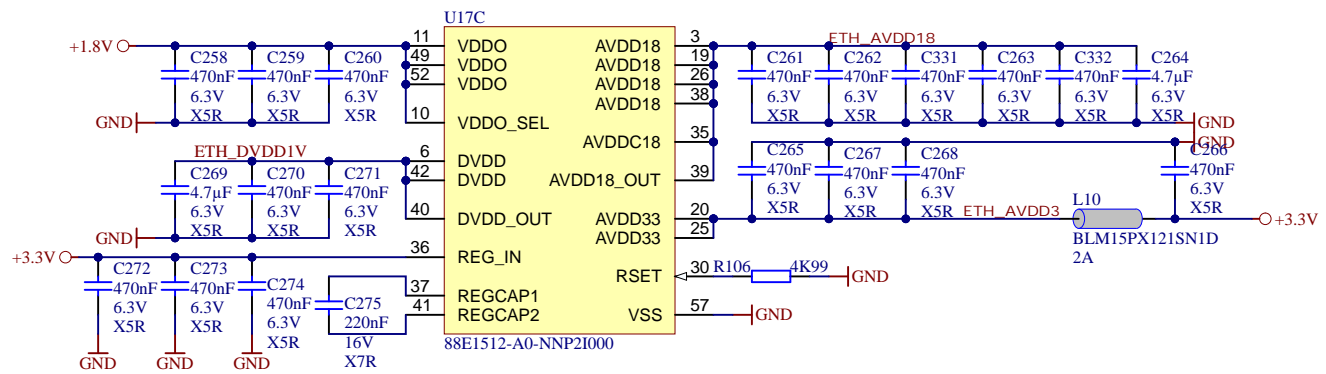
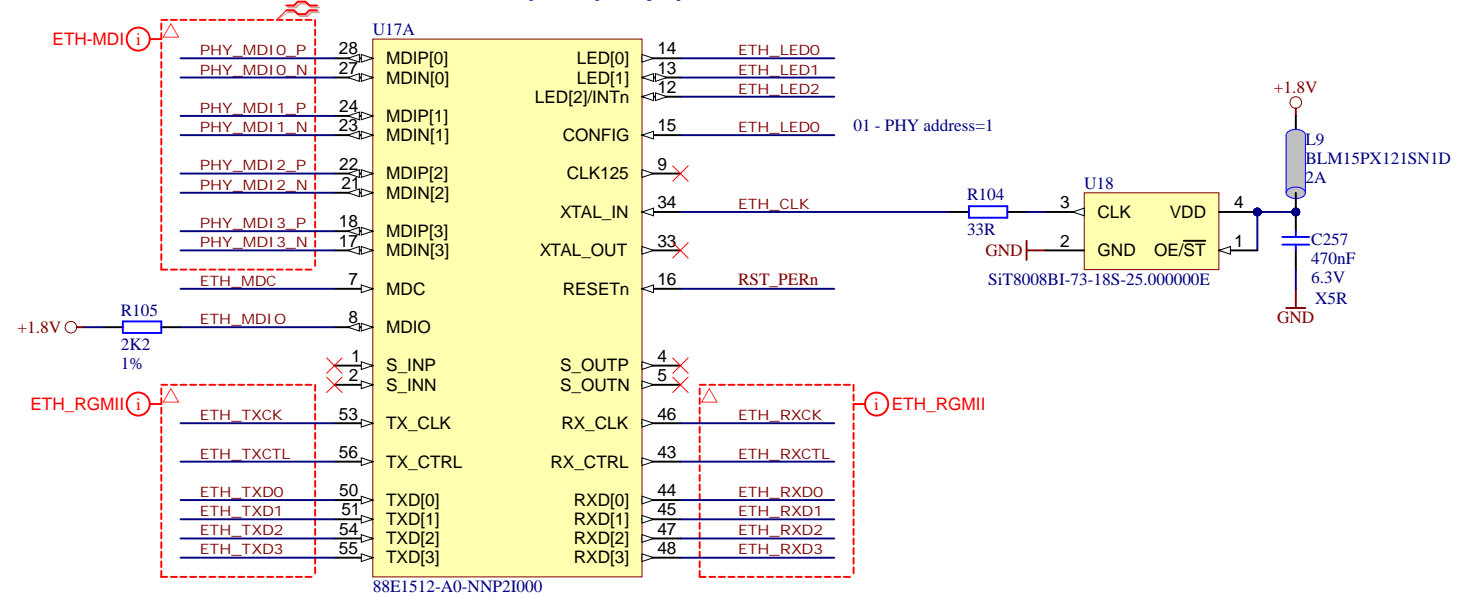
| | | |
|-----|-----|---------|
| GND | A6 | RFU/VSS |
| | A7 | RFU |
| | C5 | RFU/NC |
| | E5 | RFU |
| | E8 | RFU |
| | E9 | RFU |
| | F10 | RFU |
| | G3 | RFU |
| | G10 | RFU/NC |
| | H5 | RFU/NC |
| GND | J5 | RFU/DS |
| | K6 | RFU/VSS |
| | K7 | RFU |
| | K10 | RFU |
| | P7 | RFU/NC |
| | P10 | RFU |

SDINBDG4-8G-XI2



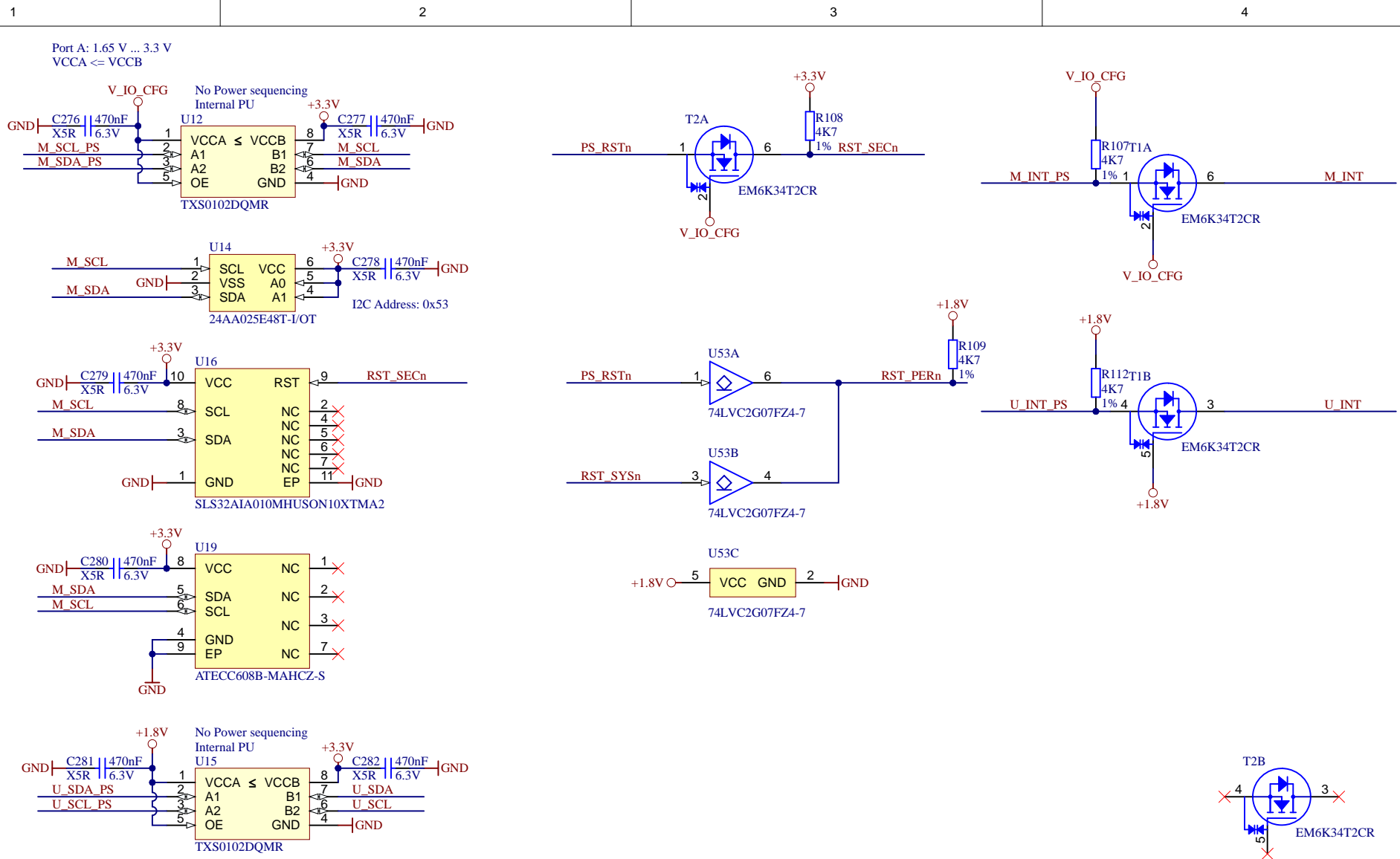
| | | |
|-----------------------|----------------------------------|---------------|
| Title: TE0865 – eMMC | | |
| A4 | Number: 37 ABI21MA | Rev. 01 |
| Date: 23.04.2021 | Copyright: Trenz Electronic GmbH | Page 37 of 51 |
| Filename: eMMC.SchDoc | | |

no power sequencing requirement!



Title: TE0865 – ETH-PHY

| | | |
|--------------------------|----------------------------------|---------------|
| A4 | Number: 38 ABI21MA | Rev. 01 |
| Date: 23.04.2021 | Copyright: Trenz Electronic GmbH | Page 38 of 51 |
| Filename: ETH-PHY.SchDoc | | |



| | | |
|-----------------------|----------------------------------|---------------|
| Title: TE0865 – MISC | | |
| A4 | Number: 39 ABI21MA | Rev. 01 |
| Date: 23.04.2021 | Copyright: Trenz Electronic GmbH | Page 39 of 51 |
| Filename: MISC.SchDoc | | |

1

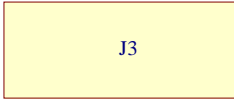
2

3

4

A

A



B

B

C

C

D

D



| | | |
|--|---|-----------------------------|
| Title: TE0865 – B2B_CONNECTORS | | |
| A4 | Number: 40 ABI21MA | Rev. 01 |
| Date: 23.04.2021 | Copyright: Trenz Electronic GmbH | Page 40 of 51 |
| Filename: B2B_Connectors.SchDoc | | |

1

2

3

4

1

2

3

4

ADM6-60-01.5-L-4-2 J1A

ADM6-60-01.5-L-4-2 J1B

| | | | |
|-----------|-----|-----|-----------|
| GND | A1 | B1 | B67 L8 P |
| B67 L10_P | A2 | B2 | B67 L8 N |
| B67 L10_N | A3 | B3 | B67 L19 P |
| B67 L9_P | A4 | B4 | B67 L19_N |
| B67 L9_N | A5 | B5 | |
| GND | A6 | B6 | B67 L3 P |
| B67 L6_N | A7 | B7 | B67 L3 N |
| B67 L6_P | A8 | B8 | B67 L2 N |
| B67 L5_P | A9 | B9 | B67 L2_P |
| B67 L5_N | A10 | B10 | |
| GND | A11 | B11 | B67 L4 N |
| B67 L1_P | A12 | B12 | B67 L4_P |
| B67 L1_N | A13 | B13 | B67 L21_P |
| B67 L7_P | A14 | B14 | B67 L21_N |
| B67 L7_N | A15 | B15 | |
| GND | A16 | B16 | B66 L9 P |
| B66 L8_P | A17 | B17 | B66 L9 N |
| B66 L8_N | A18 | B18 | B66 L24 P |
| B66 L7_P | A19 | B19 | B66 L24_N |
| B66 L7_N | A20 | B20 | |
| GND | A21 | B21 | B66 L10 P |
| B66 L6_P | A22 | B22 | B66 L10 N |
| B66 L6_N | A23 | B23 | B66 L18 P |
| B66 L12_P | A24 | B24 | B66 L18_N |
| B66 L12_N | A25 | B25 | |
| GND | A26 | B26 | B66 L5 N |
| B66 L4_P | A27 | B27 | B66 L5_P |
| B66 L4_N | A28 | B28 | B66 L16 P |
| B66 L2_P | A29 | B29 | B66 L16_N |
| B66 L2_N | A30 | B30 | |
| GND | A31 | B31 | B64 L6 P |
| B64 L18_P | A32 | B32 | B64 L6 N |
| B64 L18_N | A33 | B33 | B64 L12 P |
| B64 L17_P | A34 | B34 | B64 L12_N |
| B64 L17_N | A35 | B35 | |
| GND | A36 | B36 | B64 L4 P |
| B64 L16_P | A37 | B37 | B64 L4 N |
| B64 L16_N | A38 | B38 | B64 L15 P |
| B64 L11_P | A39 | B39 | B64 L15_N |
| B64 L11_N | A40 | B40 | |
| GND | A41 | B41 | B64 L13 N |
| B64 L8_N | A42 | B42 | B64 L13_P |
| B64 L8_P | A43 | B43 | B64 L1 N |
| B64 L7_P | A44 | B44 | B64 L1_P |
| B64 L7_N | A45 | B45 | |
| GND | A46 | B46 | B65 L3 N |
| B65 L4_N | A47 | B47 | B65 L3_P |
| B65 L4_P | A48 | B48 | B65 L2_P |
| B65 L1_N | A49 | B49 | B65 L2_N |
| B65 L1_P | A50 | B50 | |
| GND | A51 | B51 | B65 L6_P |
| B65 L5_P | A52 | B52 | B65 L6_N |
| B65 L5_N | A53 | B53 | B65 L15_N |
| B65 L7_N | A54 | B54 | B65 L15_P |
| B65 L7_P | A55 | B55 | |
| GND | A56 | B56 | B65 L8 N |
| B65 L9_N | A57 | B57 | B65 L8_P |
| B65 L9_P | A58 | B58 | B65 L10_N |
| B65 L11_P | A59 | B59 | B65 L10_P |
| B65 L11_N | A60 | B60 | |

| | | | |
|-----------|-----|-----|-----------|
| GND | C1 | D1 | B67 L24 P |
| B67 L17_P | C2 | D2 | B67 L24_N |
| B67 L17_N | C3 | D3 | B67 L20 P |
| B67 L18_P | C4 | D4 | B67 L20_N |
| B67 L18_N | C5 | D5 | |
| GND | C6 | D6 | B67 L16 P |
| B67 L23_P | C7 | D7 | B67 L16_N |
| B67 L23_N | C8 | D8 | B67 L14 P |
| B67 L13_N | C9 | D9 | B67 L14_N |
| B67 L13_P | C10 | D10 | |
| B67 VRP | C11 | D11 | B67 L12 N |
| B67 L22_P | C12 | D12 | B67 L12_P |
| B67 L22_N | C13 | D13 | B67 L11 N |
| B67 L15_N | C14 | D14 | B67 L11_P |
| B67 L15_P | C15 | D15 | |
| GND | C16 | D16 | B66 L23 P |
| B66 L20_P | C17 | D17 | B66 L23_N |
| B66 L20_N | C18 | D18 | B66 L22 P |
| B66 L14_P | C19 | D19 | B66 L22_N |
| B66 L14_N | C20 | D20 | |
| B66 VRP | C21 | D21 | B66 L11 N |
| B66 L21_N | C22 | D22 | B66 L11_P |
| B66 L21_P | C23 | D23 | B66 L17 P |
| B66 L13_N | C24 | D24 | B66 L17_N |
| B66 L13_P | C25 | D25 | |
| GND | C26 | D26 | B66 L3 N |
| B66 L15_P | C27 | D27 | B66 L3_P |
| B66 L15_N | C28 | D28 | B66 L1 N |
| B66 L19_P | C29 | D29 | B66 L1_P |
| B66 L19_N | C30 | D30 | |
| GND | C31 | D31 | B64 L10 N |
| B64 L14_P | C32 | D32 | B64 L10_P |
| B64 L14_N | C33 | D33 | B64 L19 N |
| B64 L5_N | C34 | D34 | B64 L19_P |
| B64 L5_P | C35 | D35 | |
| B64 VRP | C36 | D36 | B64 L22 N |
| B64 L9_N | C37 | D37 | B64 L22_P |
| B64 L9_P | C38 | D38 | B64 L20 N |
| B64 L23_N | C39 | D39 | B64 L20_P |
| B64 L23_P | C40 | D40 | |
| GND | C41 | D41 | B64 L21 N |
| B64 L3_N | C42 | D42 | B64 L21_P |
| B64 L3_P | C43 | D43 | B64 L24 N |
| B64 L2_N | C44 | D44 | B64 L24_P |
| B64 L2_P | C45 | D45 | |
| GND | C46 | D46 | B65 L19 N |
| B65 L23_N | C47 | D47 | B65 L19_P |
| B65 L23_P | C48 | D48 | B65 L20 P |
| B65 L21_N | C49 | D49 | B65 L20_N |
| B65 L21_P | C50 | D50 | |
| B65 VRP | C51 | D51 | B65 L14 P |
| B65 L12_P | C52 | D52 | B65 L14_N |
| B65 L12_N | C53 | D53 | B65 L22 N |
| B65 L24_N | C54 | D54 | B65 L22_P |
| B65 L24_P | C55 | D55 | PERSTO |
| GND | C56 | D56 | B65 L13 P |
| B65 L17_P | C57 | D57 | B65 L13_N |
| B65 L17_N | C58 | D58 | B65 L16 N |
| B65 L18_N | C59 | D59 | B65 L16_P |
| B65 L18_P | C60 | D60 | |



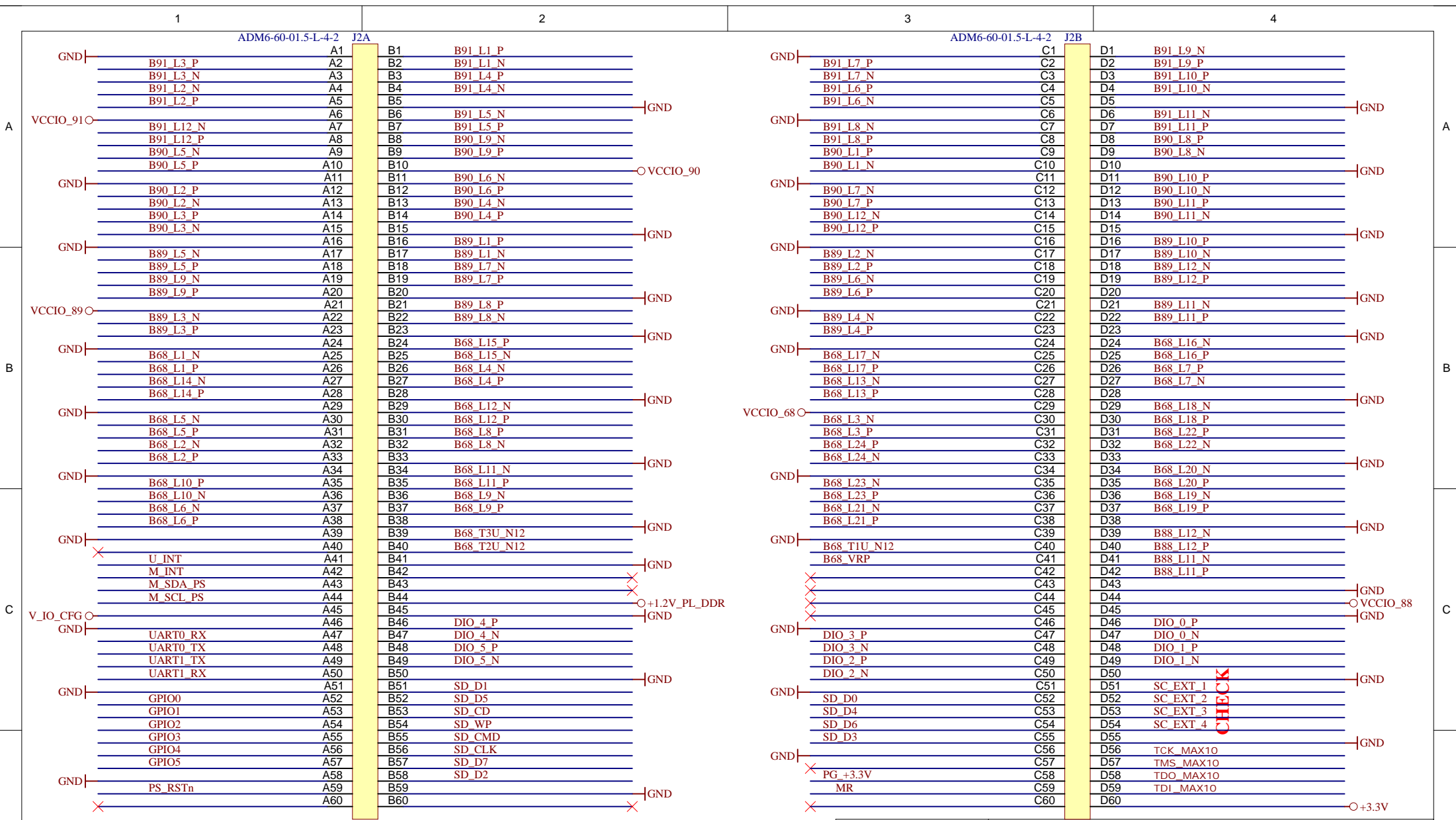
| | | |
|------------------------------|----------------------------------|---------------|
| Title: TE0865 – J1_CONNECTOR | | |
| A4 | Number: 41 ABI21MA | Rev. 01 |
| Date: 23.04.2021 | Copyright: Trenz Electronic GmbH | Page 41 of 51 |
| Filename: J1.schdoc | | |

1

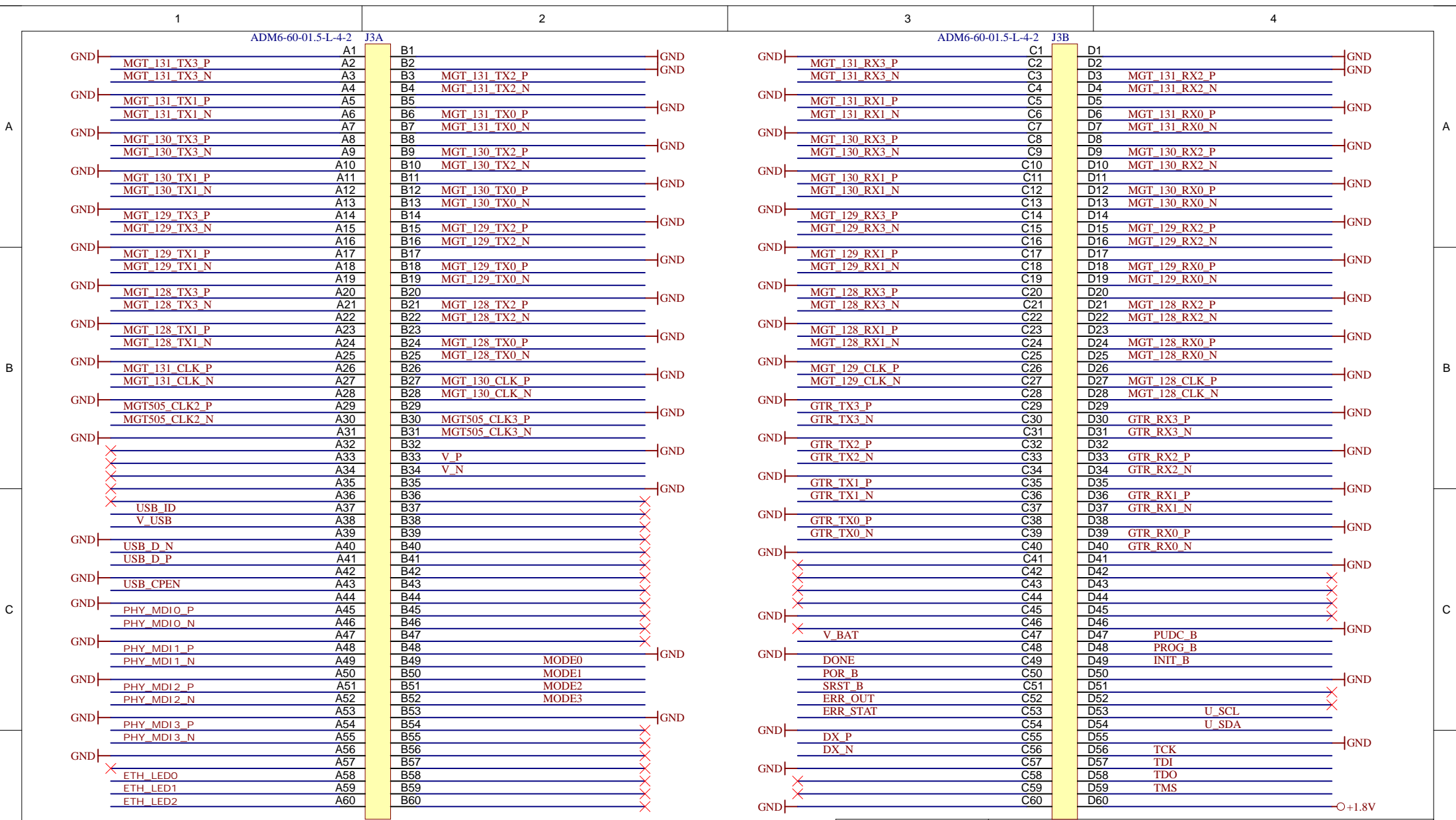
2

3

4



| | | |
|-------------------------------------|---|-----------------------------|
| Title: TE0865 – J2_CONNECTOR | | |
| A4 | Number: 42 ABI21MA | Rev. 01 |
| Date: 23.04.2021 | Copyright: Trenz Electronic GmbH | Page 42 of 51 |
| Filename: J2.schdoc | | |



| | | |
|-------------------------------------|---|-----------------------------|
| Title: TE0865 – J3_CONNECTOR | | |
| A4 | Number: 43 ABI21MA | Rev. 01 |
| Date: 23.04.2021 | Copyright: Trenz Electronic GmbH | Page 43 of 51 |
| Filename: J3.schdoc | | |

D

D

1

2

3

4

1

2

3

4

ADM6-60-01.5-L-4-2 J4A

ADM6-60-01.5-L-4-2 J4B

| | | | |
|----------------|-----|-----|----------------|
| B88_L6_N | A1 | B1 | |
| B88_L6_P | A2 | B2 | B88_L1_N |
| B88_L5_N | A3 | B3 | B88_L1_P |
| B88_L5_P | A4 | B4 | B88_L3_P |
| B88_L2_N | A5 | B5 | B88_L3_N |
| B88_L2_P | A6 | B6 | |
| GND | A7 | B7 | MGT_230_CLK0_P |
| MGT_231_CLK0_P | A8 | B8 | MGT_230_CLK0_N |
| MGT_231_CLK0_N | A9 | B9 | |
| GND | A10 | B10 | MGT_231_RX2_P |
| MGT_231_RX3_P | A11 | B11 | MGT_231_RX2_N |
| MGT_231_RX3_N | A12 | B12 | |
| GND | A13 | B13 | MGT_231_RX0_P |
| MGT_231_RX1_P | A14 | B14 | MGT_231_RX0_N |
| MGT_231_RX1_N | A15 | B15 | |
| GND | A16 | B16 | MGT_230_RX2_P |
| MGT_230_RX3_P | A17 | B17 | MGT_230_RX2_N |
| MGT_230_RX3_N | A18 | B18 | |
| GND | A19 | B19 | MGT_230_RX0_P |
| MGT_230_RX1_P | A20 | B20 | MGT_230_RX0_N |
| MGT_230_RX1_N | A21 | B21 | |
| GND | A22 | B22 | MGT_229_RX2_P |
| MGT_229_RX3_P | A23 | B23 | MGT_229_RX2_N |
| MGT_229_RX3_N | A24 | B24 | |
| GND | A25 | B25 | MGT_229_RX0_P |
| MGT_229_RX1_P | A26 | B26 | MGT_229_RX0_N |
| MGT_229_RX1_N | A27 | B27 | |
| GND | A28 | B28 | MGT_228_RX2_P |
| MGT_228_RX3_P | A29 | B29 | MGT_228_RX2_N |
| MGT_228_RX3_N | A30 | B30 | |
| GND | A31 | B31 | MGT_228_RX0_P |
| MGT_228_RX1_P | A32 | B32 | MGT_228_RX0_N |
| MGT_228_RX1_N | A33 | B33 | |
| GND | A34 | B34 | MGT_227_RX2_P |
| MGT_227_RX3_P | A35 | B35 | MGT_227_RX2_N |
| MGT_227_RX3_N | A36 | B36 | |
| GND | A37 | B37 | MGT_227_RX0_P |
| MGT_227_RX1_P | A38 | B38 | MGT_227_RX0_N |
| MGT_227_RX1_N | A39 | B39 | |
| GND | A40 | B40 | MGT_226_RX2_P |
| MGT_226_RX3_P | A41 | B41 | MGT_226_RX2_N |
| MGT_226_RX3_N | A42 | B42 | |
| GND | A43 | B43 | MGT_226_RX0_P |
| MGT_226_RX1_P | A44 | B44 | MGT_226_RX0_N |
| MGT_226_RX1_N | A45 | B45 | |
| GND | A46 | B46 | MGT_225_RX2_P |
| MGT_225_RX3_P | A47 | B47 | MGT_225_RX2_N |
| MGT_225_RX3_N | A48 | B48 | |
| GND | A49 | B49 | MGT_225_RX0_P |
| MGT_225_RX1_P | A50 | B50 | MGT_225_RX0_N |
| MGT_225_RX1_N | A51 | B51 | |
| GND | A52 | B52 | MGT_224_RX2_P |
| MGT_224_RX3_P | A53 | B53 | MGT_224_RX2_N |
| MGT_224_RX3_N | A54 | B54 | |
| GND | A55 | B55 | MGT_224_RX0_P |
| MGT_224_RX1_P | A56 | B56 | MGT_224_RX0_N |
| MGT_224_RX1_N | A57 | B57 | |
| GND | A58 | B58 | MGT_225_CLK_P |
| MGT_224_CLK_P | A59 | B59 | MGT_225_CLK_N |
| MGT_224_CLK_N | A60 | B60 | |

| | | | |
|----------------|-----|-----|----------------|
| B88_L7_N | C1 | D1 | |
| B88_L7_P | C2 | D2 | B88_L10_P |
| B88_L9_N | C3 | D3 | B88_L10_N |
| B88_L9_P | C4 | D4 | B88_L4_N |
| B88_L8_P | C5 | D5 | B88_L4_P |
| B88_L8_N | C6 | D6 | |
| GND | C7 | D7 | MGT_228_CLK0_P |
| MGT_229_CLK0_P | C8 | D8 | MGT_228_CLK0_N |
| MGT_229_CLK0_N | C9 | D9 | |
| GND | C10 | D10 | MGT_231_TX3_P |
| MGT_231_TX2_P | C11 | D11 | MGT_231_TX3_N |
| MGT_231_TX2_N | C12 | D12 | |
| GND | C13 | D13 | MGT_231_TX1_P |
| MGT_231_TX0_P | C14 | D14 | MGT_231_TX1_N |
| MGT_231_TX0_N | C15 | D15 | |
| GND | C16 | D16 | MGT_230_TX3_P |
| MGT_230_TX2_P | C17 | D17 | MGT_230_TX3_N |
| MGT_230_TX2_N | C18 | D18 | |
| GND | C19 | D19 | MGT_230_TX1_P |
| MGT_230_TX0_P | C20 | D20 | MGT_230_TX1_N |
| MGT_230_TX0_N | C21 | D21 | |
| GND | C22 | D22 | MGT_229_TX3_P |
| MGT_229_TX2_P | C23 | D23 | MGT_229_TX3_N |
| MGT_229_TX2_N | C24 | D24 | |
| GND | C25 | D25 | MGT_229_TX1_P |
| MGT_229_TX0_P | C26 | D26 | MGT_229_TX1_N |
| MGT_229_TX0_N | C27 | D27 | |
| GND | C28 | D28 | MGT_228_TX3_P |
| MGT_228_TX2_P | C29 | D29 | MGT_228_TX3_N |
| MGT_228_TX2_N | C30 | D30 | |
| GND | C31 | D31 | MGT_228_TX1_P |
| MGT_228_TX0_P | C32 | D32 | MGT_228_TX1_N |
| MGT_228_TX0_N | C33 | D33 | |
| GND | C34 | D34 | MGT_227_TX3_P |
| MGT_227_TX2_P | C35 | D35 | MGT_227_TX3_N |
| MGT_227_TX2_N | C36 | D36 | |
| GND | C37 | D37 | MGT_227_TX1_P |
| MGT_227_TX0_P | C38 | D38 | MGT_227_TX1_N |
| MGT_227_TX0_N | C39 | D39 | |
| GND | C40 | D40 | MGT_226_TX3_P |
| MGT_226_TX2_P | C41 | D41 | MGT_226_TX3_N |
| MGT_226_TX2_N | C42 | D42 | |
| GND | C43 | D43 | MGT_226_TX1_P |
| MGT_226_TX0_P | C44 | D44 | MGT_226_TX1_N |
| MGT_226_TX0_N | C45 | D45 | |
| GND | C46 | D46 | MGT_225_TX3_P |
| MGT_225_TX2_P | C47 | D47 | MGT_225_TX3_N |
| MGT_225_TX2_N | C48 | D48 | |
| GND | C49 | D49 | MGT_225_TX1_P |
| MGT_225_TX0_P | C50 | D50 | MGT_225_TX1_N |
| MGT_225_TX0_N | C51 | D51 | |
| GND | C52 | D52 | MGT_224_TX3_P |
| MGT_224_TX2_P | C53 | D53 | MGT_224_TX3_N |
| MGT_224_TX2_N | C54 | D54 | |
| GND | C55 | D55 | MGT_224_TX1_P |
| MGT_224_TX0_P | C56 | D56 | MGT_224_TX1_N |
| MGT_224_TX0_N | C57 | D57 | |
| GND | C58 | D58 | MGT_227_CLK_P |
| MGT_226_CLK_P | C59 | D59 | MGT_227_CLK_N |
| MGT_226_CLK_N | C60 | D60 | |



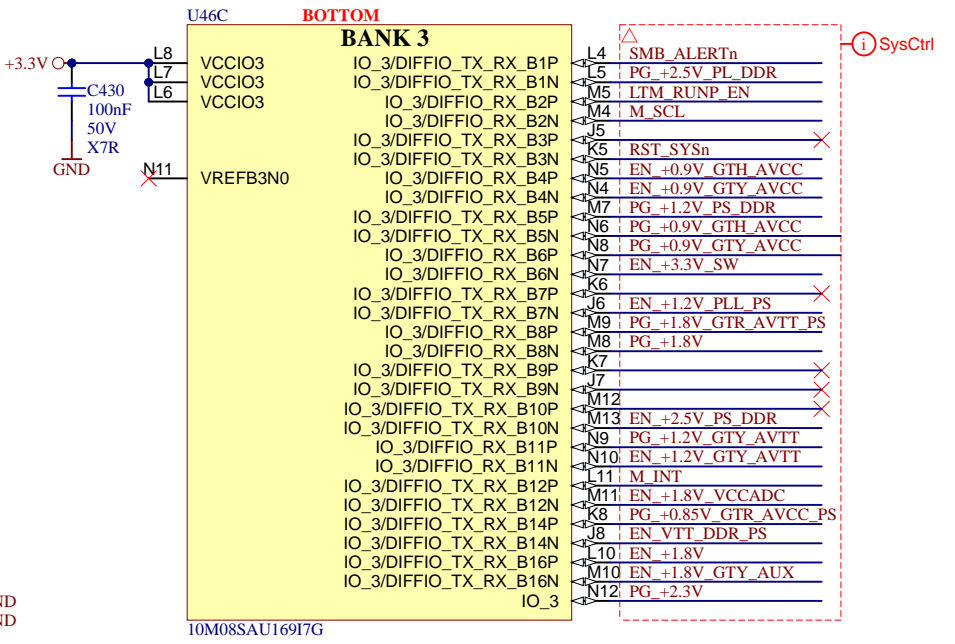
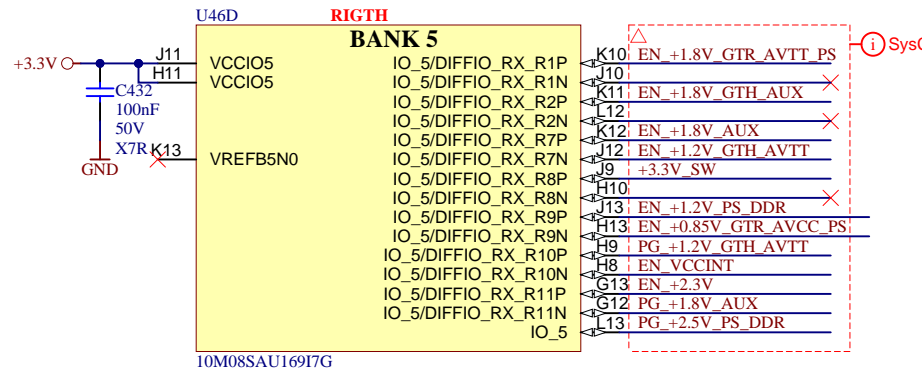
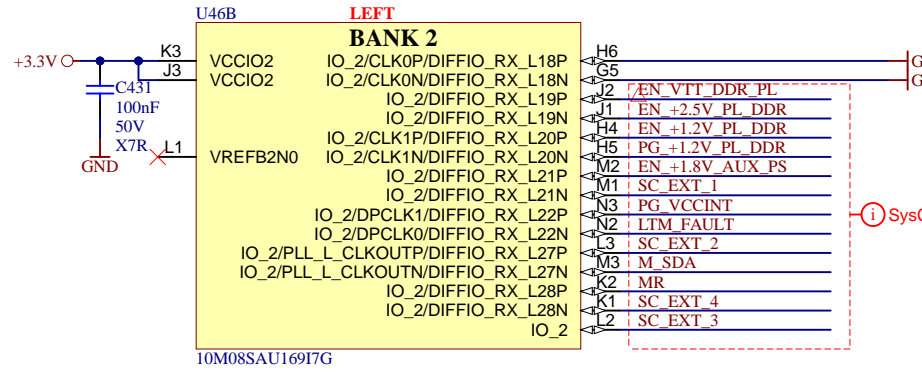
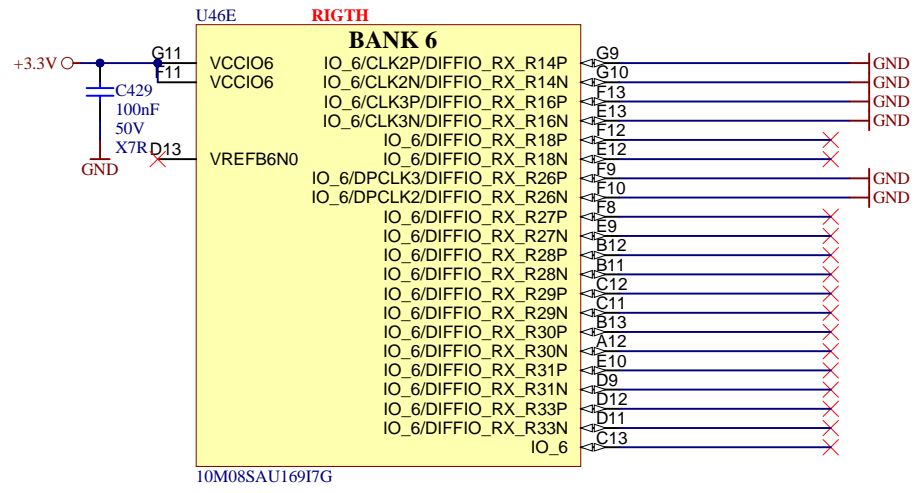
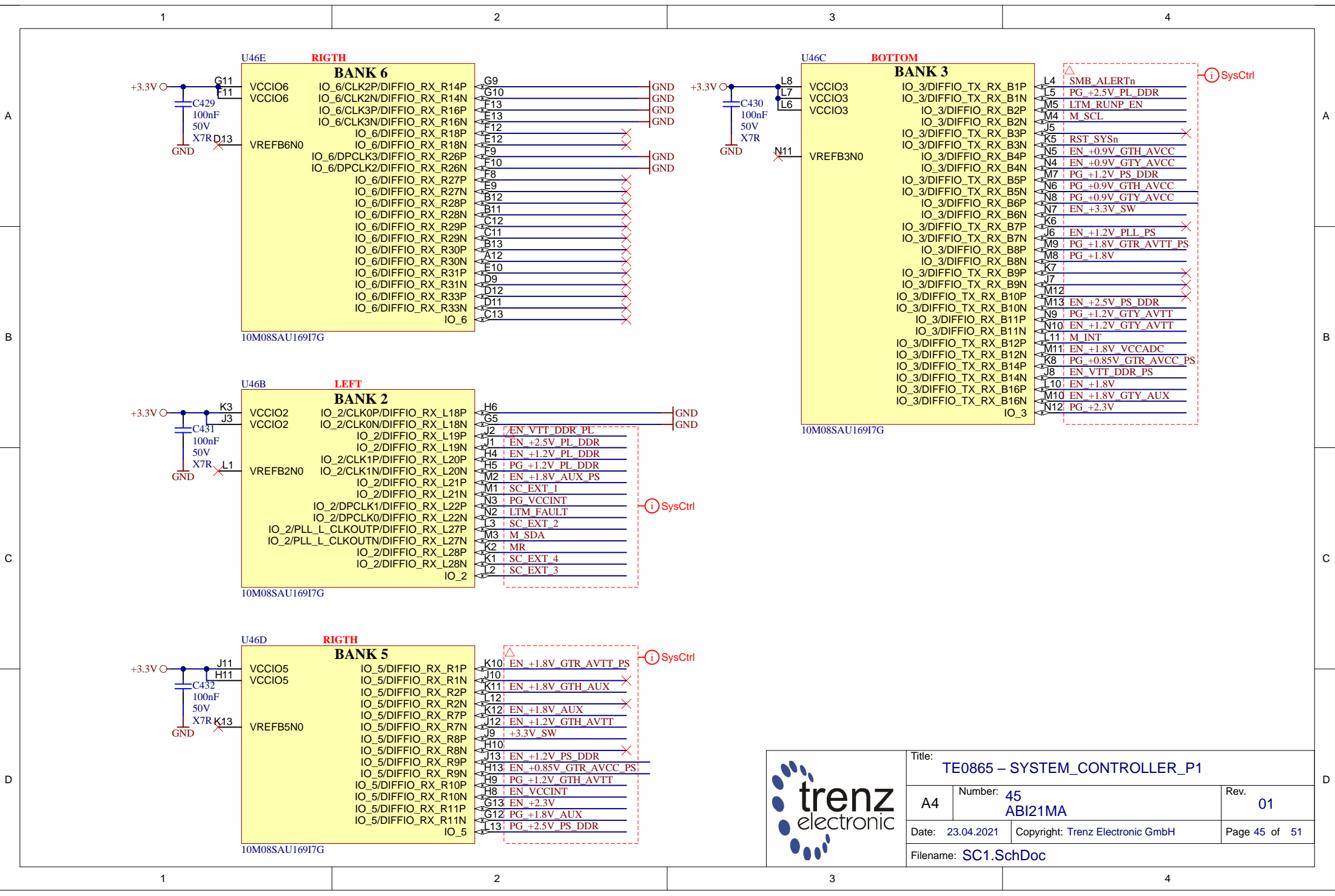
| | | |
|------------------------------|----------------------------------|---------------|
| Title: TE0865 – J4_CONNECTOR | | |
| A4 | Number: 44 ABI21MA | Rev. 01 |
| Date: 23.04.2021 | Copyright: Trenz Electronic GmbH | Page 44 of 51 |
| Filename: J4.schdoc | | |

1

2

3

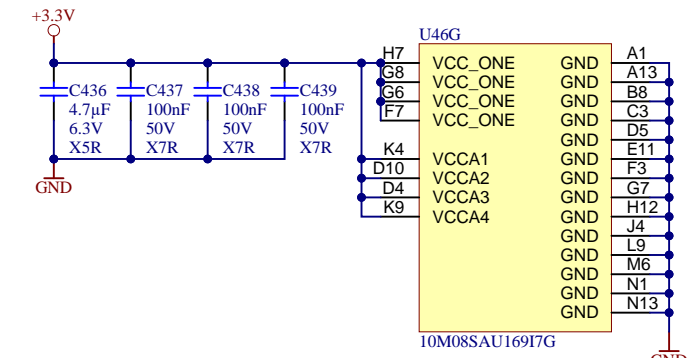
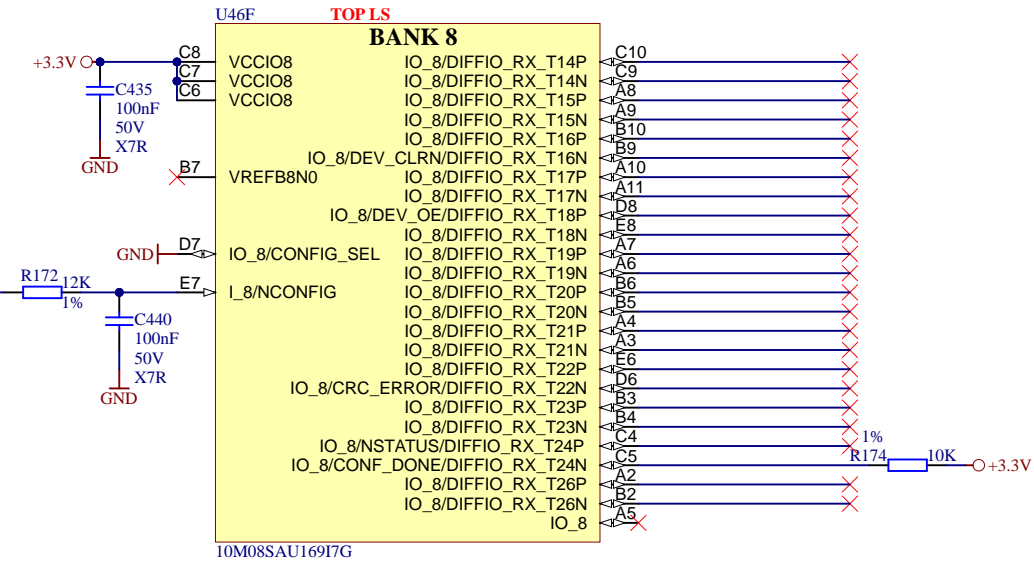
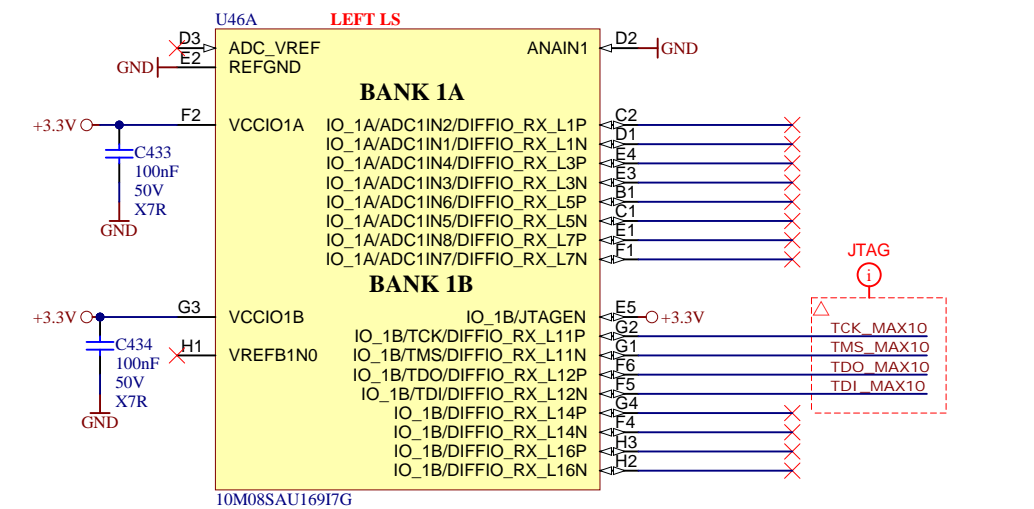
4



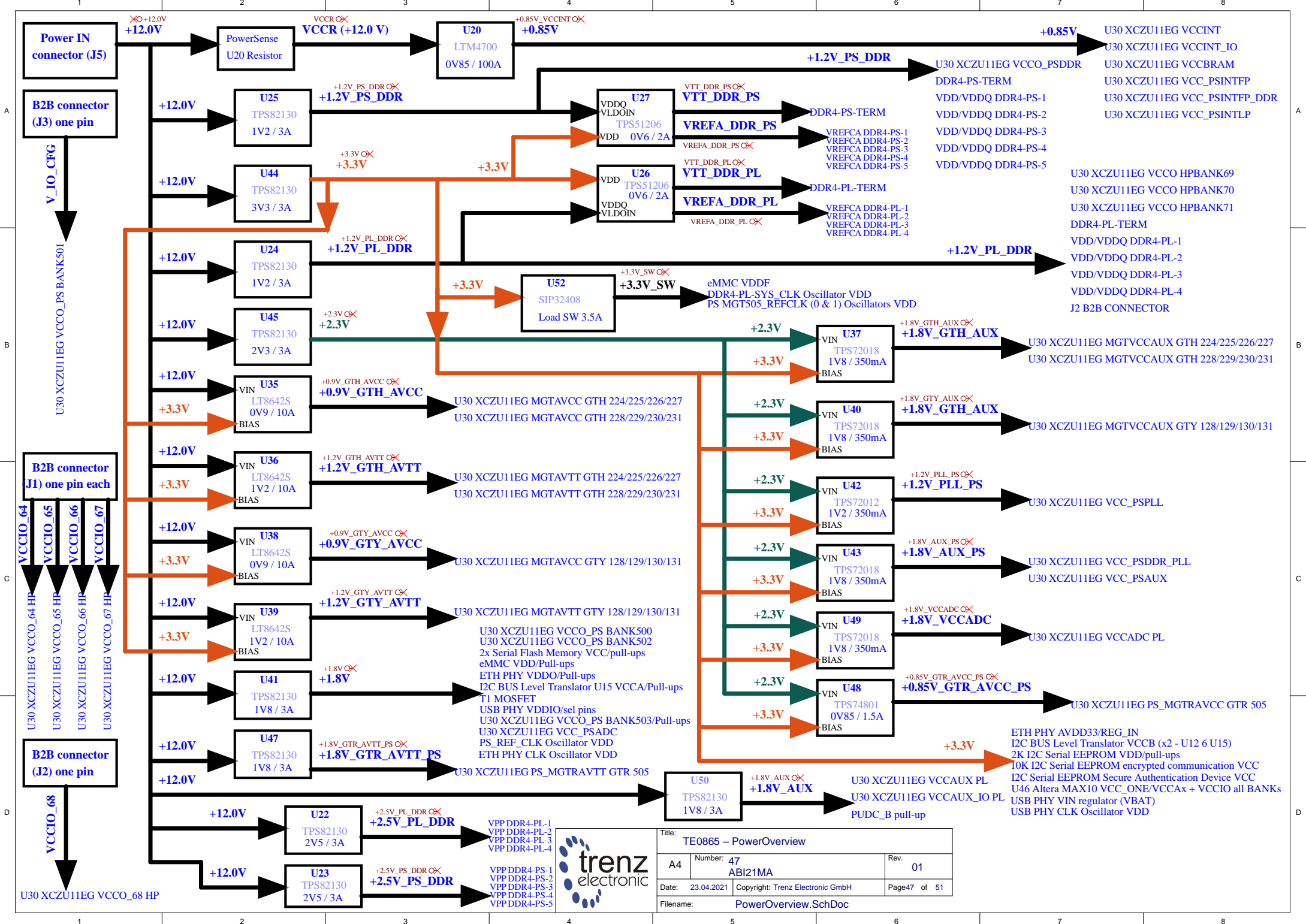
trenz electronic

Title: TE0865 – SYSTEM_CONTROLLER_P1

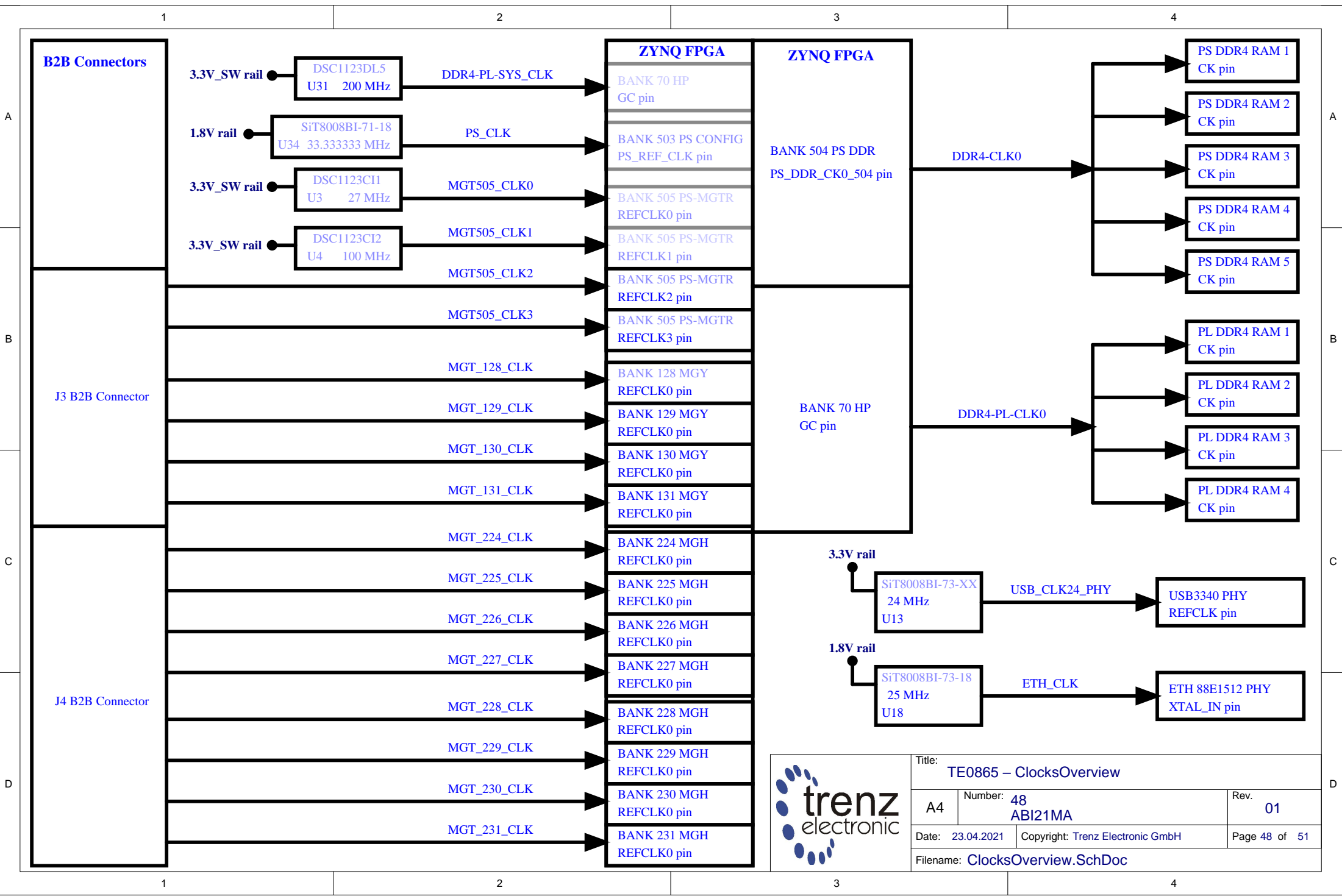
| | | |
|----------------------|----------------------------------|---------------|
| A4 | Number: 45 ABI21MA | Rev. 01 |
| Date: 23.04.2021 | Copyright: Trenz Electronic GmbH | Page 45 of 51 |
| Filename: SC1.SchDoc | | |

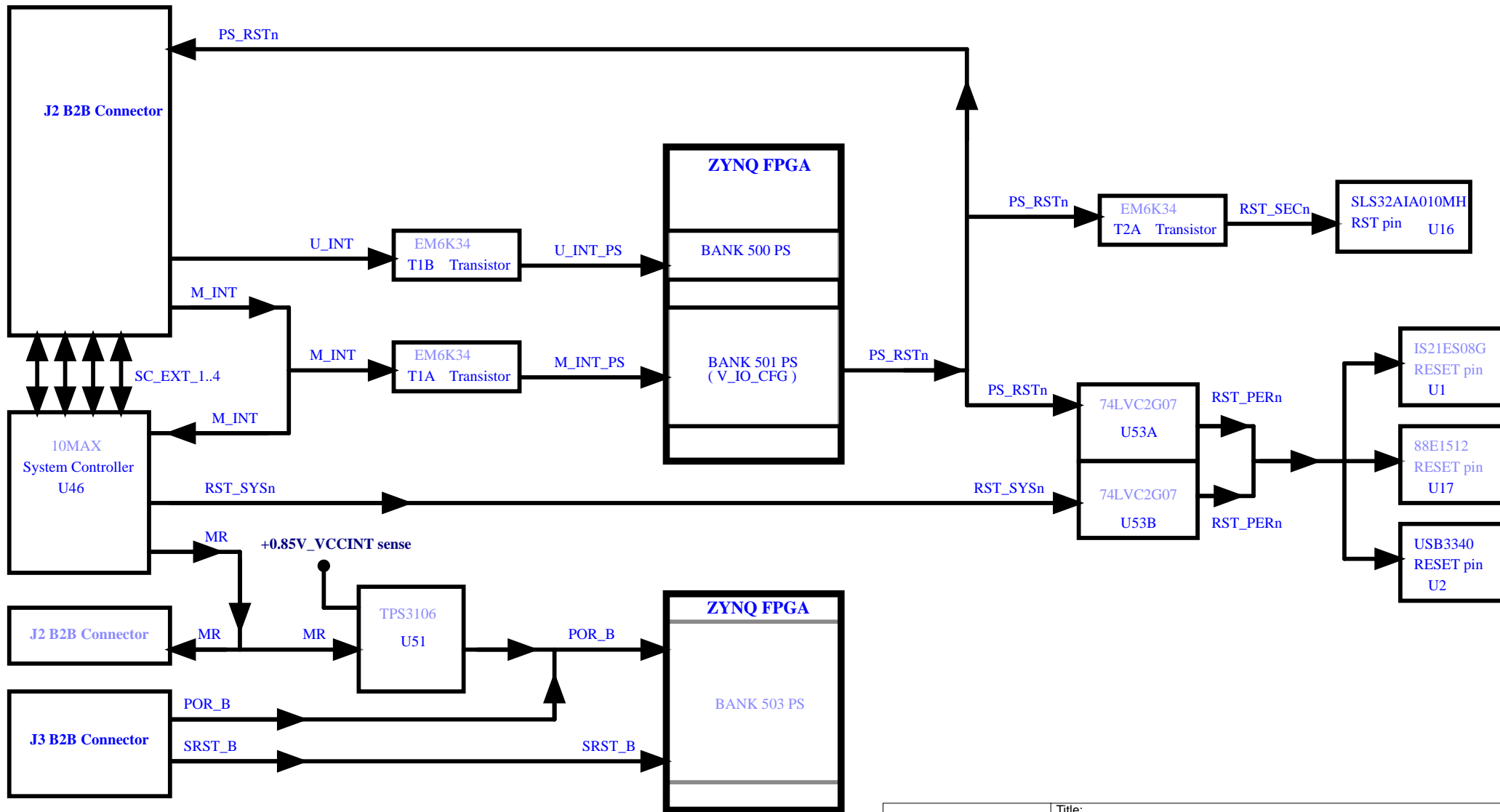


| | | | | |
|-----------------------------|--|----------------------------------|---|-------------------------------------|
| | | | Title: TE0865 – SYSTEM_CONTROLLER_P2 | |
| | | | A4 | Number: 46 ABI21MA |
| Date: 23.04.2021 | | Copyright: Trenz Electronic GmbH | | Page 46 of 51 |
| Filename: SC2.SchDoc | | | | |



| | | |
|--------------------------------|----------------------------------|---------------|
| Title: TE0865 - PowerOverview | | |
| A4 | Number: 47 ABI21MA | Rev. 01 |
| Date: 23.04.2021 | Copyright: Trenz Electronic GmbH | Page 47 of 51 |
| Filename: PowerOverview.SchDoc | | |





| | | |
|--|----------------------------------|---------------|
| Title: TE0865 – Resets-Interrupts Overview | | |
| A4 | Number: 49 ABI21MA | Rev. 01 |
| Date: 23.04.2021 | Copyright: Trenz Electronic GmbH | Page 49 of 51 |
| Filename: Reset-InterruptsOverview.SchDoc | | |

1

2

3

4

A

A

B

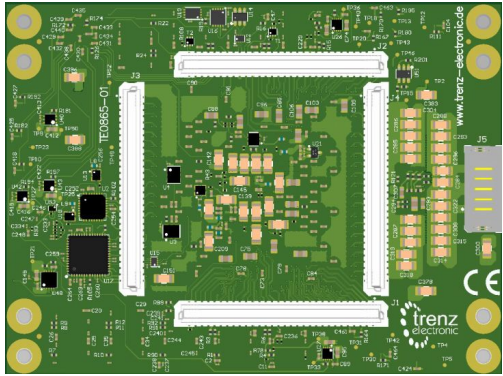
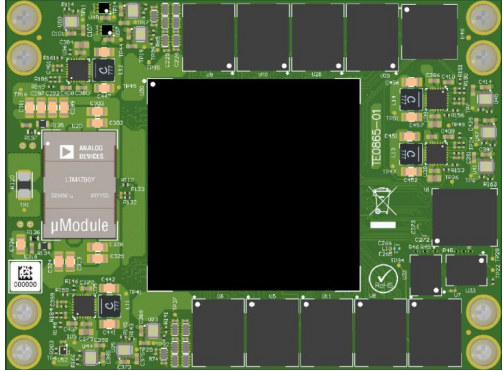
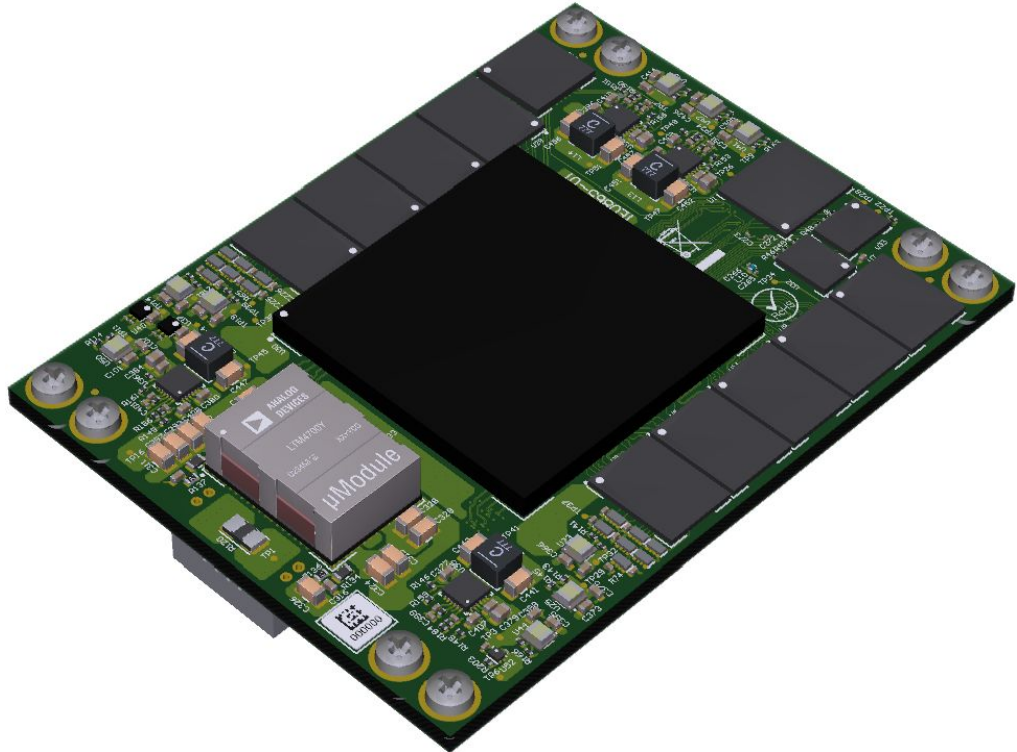
B

C

C

D


D



Regarding the usage of our schematics and alike documentation for Trenz module TE0865.

Project is protected under copyright and we strongly and strictly prohibit the reverse engineering or recreation, even if the design is just adapted or modified. TE0865 is protected under such right and in case of plagiarism we will have to do anything necessary in order to protect our assets.

Schematics and other handouts serve for informational purposes only!

| | | | |
|---|---|--|-----------------------------|
|  | Title: TE0865 - Legal Notices | | |
| | A4 | Number: 50 ABI21MA | Rev. 01 |
| | Date: 23.04.2021 | Copyright: Trenz Electronic GmbH / TT | Page 50 of 51 |
| | Filename: Legal Notices Modules.SchDoc | | |

1

2

3

4

1

2

3

4

A

A

| REV | Description | |
|------|--|----|
| -01 | Initial revision | AL |
| -01a | 1. Changed U46: 10M08SAU169C8G -> 10M08SAU169I7G | VY |

B


B

C

C

D

D

| | | | |
|---|--|---|-----------------------------|
|  | Title: TE0865 – Revision_Changes | | |
| | A4 | Number: 51 ABI21MA | Rev. 01 |
| | Date: 23.04.2021 | Copyright: Trenz Electronic GmbH | Page 51 of 51 |
| | Filename: Revision_Changes.SchDoc | | |

1

2

3

4