

1

2

3

4

LOGO1

TE Logo PRINT Layer

LOGO PRINT

POWER

SC1

SC2

ETH-PHY

eMMC

USBPHY

XCZU

PS

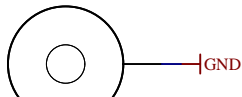
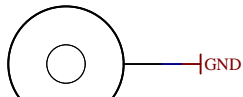
DDR4-PS

MISC

B2B_Connectors

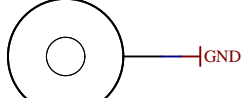
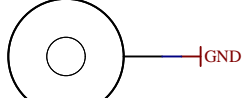
PL

DDR4-PL



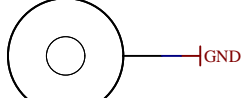
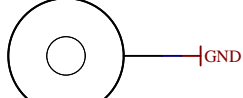
Mount.Hole 3.2mm für Unterlegscheibe

Mount.Hole 3.2mm für Unterlegscheibe



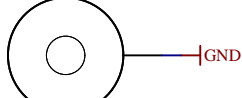
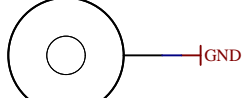
Mount.Hole 3.2mm für Unterlegscheibe

Mount.Hole 3.2mm für Unterlegscheibe



Mount.Hole 3.2mm für Unterlegscheibe

Mount.Hole 3.2mm für Unterlegscheibe



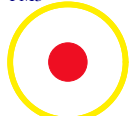
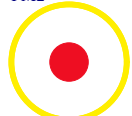
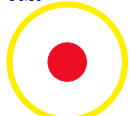
Mount.Hole 3.2mm für Unterlegscheibe

Mount.Hole 3.2mm für Unterlegscheibe

PM1

PM2

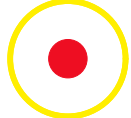
PM3



FIDU-DOT - mini PM4

FIDU-DOT - mini PM5

FIDU-DOT - mini PM6



FIDU-DOT - mini

FIDU-DOT - mini

FIDU-DOT - mini

Serial1
Serial
Serialnumber 6,3 x 6,3mm

Special notes:



Title: TE0865 Main		
A4	Number: 1 ABI41FA	Rev. 01
Date: 16.06.2021	Copyright: Trenz Electronic GmbH	Page 1 of 51
Filename: TE0865.schdoc		

1

2

3

4

A

A

B

B

C

C

D

D

1

2

3

4

A

A

XCZU_Config



XCZU_88_89_90_91_93_94_HD



XCZU_500_501_502_MIO



XCZU_POWER



B

B

XCZU_64_65_HP



XCZU_128_129_130_131_MGT



XCZU_504_PSDDR



XCZU_GND



C

C

XCZU_66_67_HP



XCZU_224_225_226_227_MGT



XCZU_505_MGT



XCZU_68_69_HP



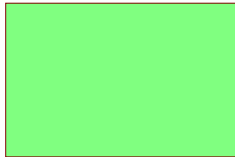
XCZU_228_229_230_231_MGT




D

D

XCZU_70_71_HP



	Title: TE0865 – XCZU		
	A4	Number: 2 ABI41FA	Rev. 01
	Date: 23.04.2021	Copyright: Trenz Electronic GmbH	Page 2 of 51
	Filename: XCZU.schdoc		

1

2

3

4

A

B

C

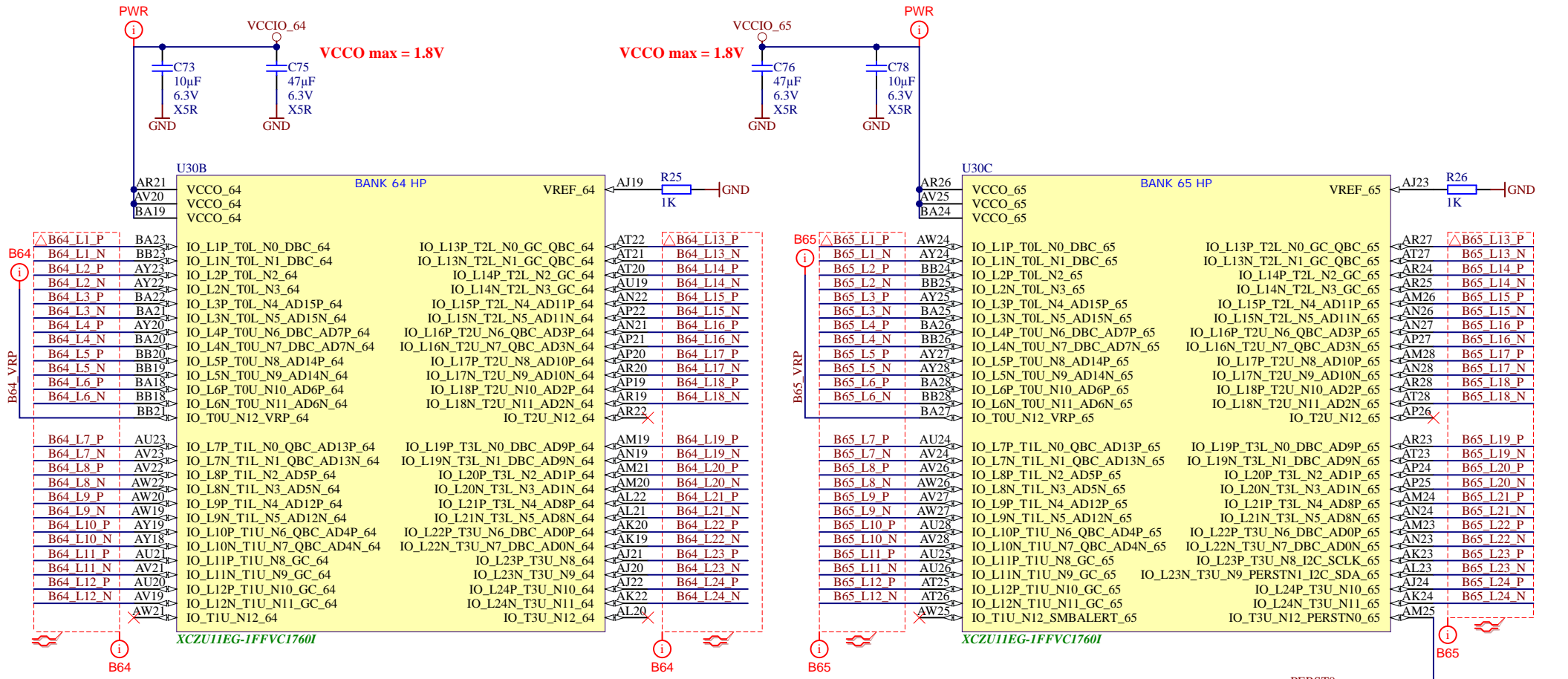
D

A

B

C

D



Title: TE0865 – XZU_64_65_HP		
A4	Number: 3 ABI41FA	Rev. 01
Date: 23.04.2021	Copyright: Trenz Electronic GmbH	Page 3 of 51
Filename: XZU_64_65_HP.schdoc		

A

A

B

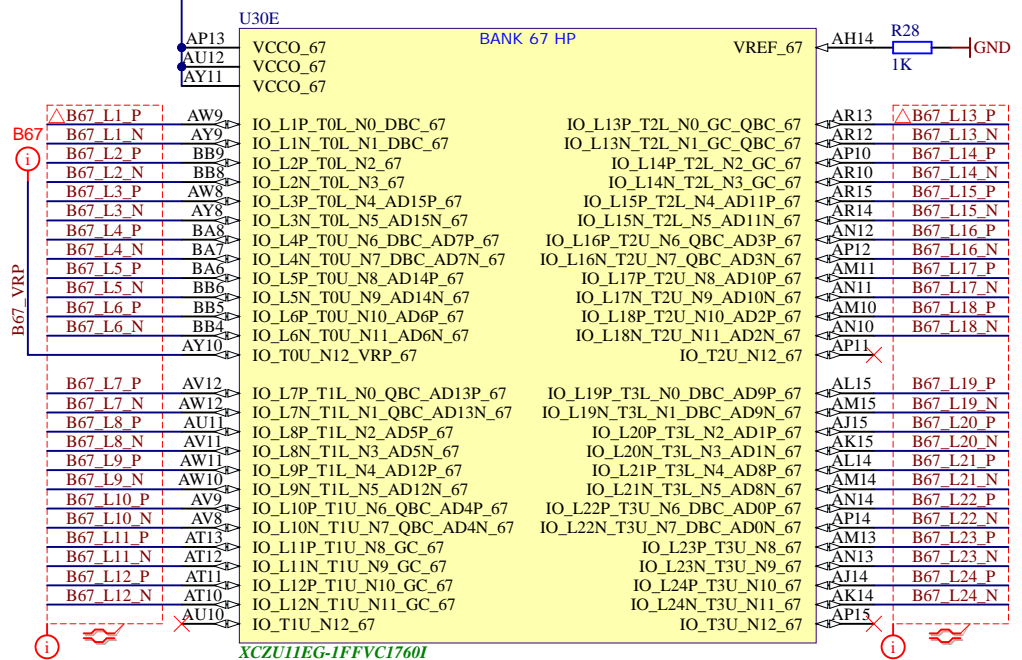
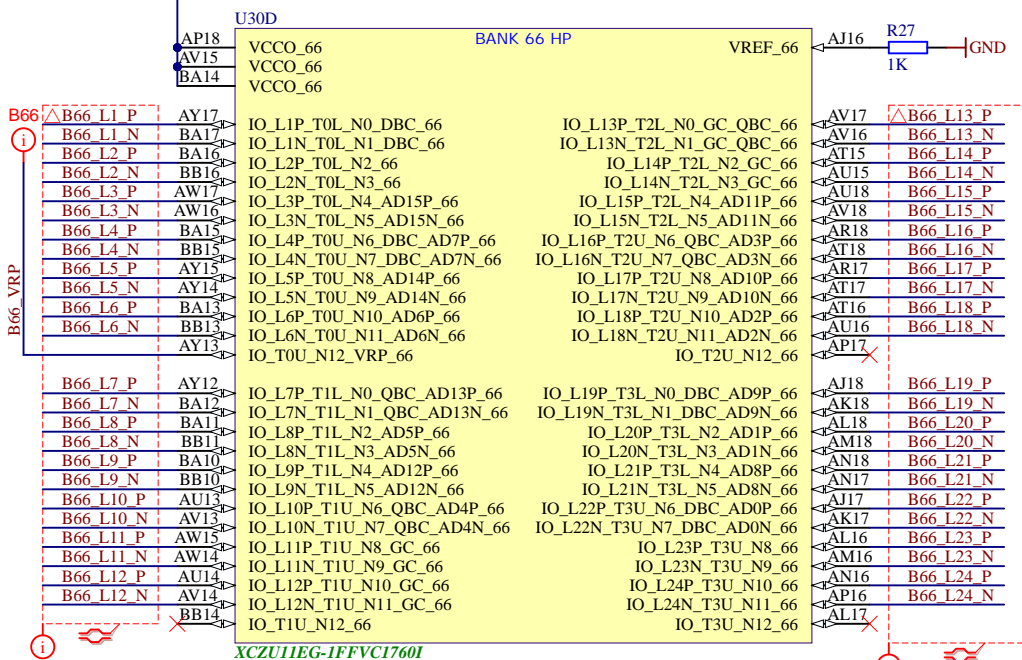
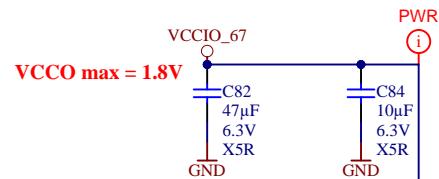
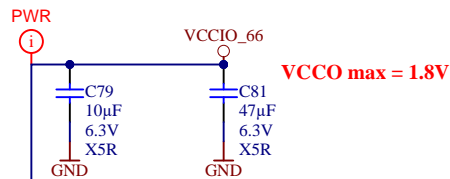
B

C

C

D

D

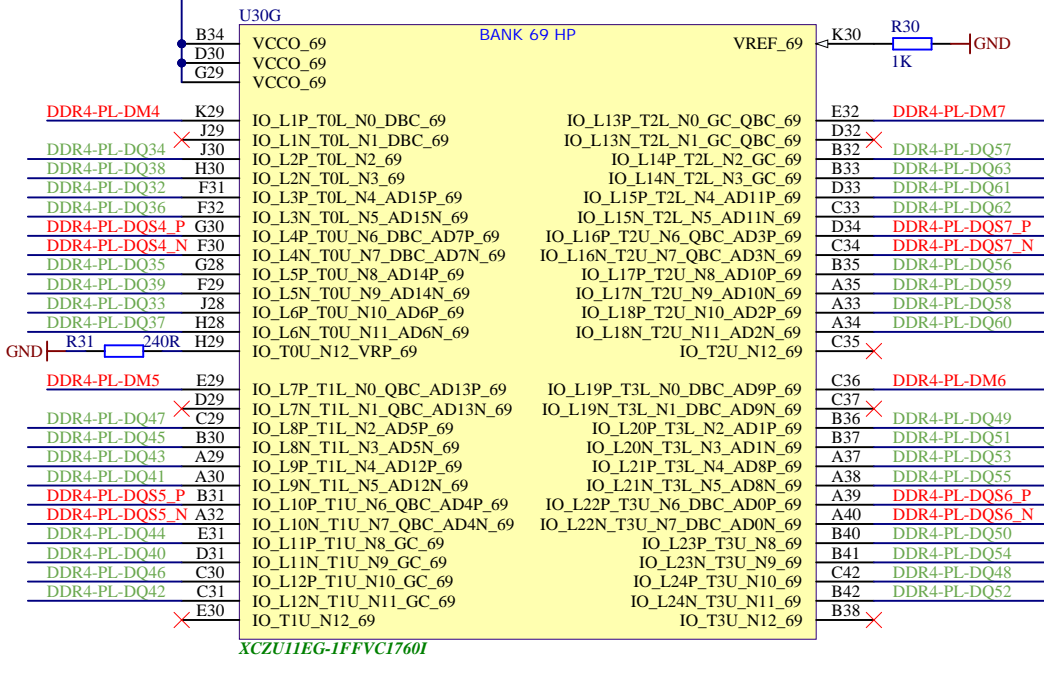
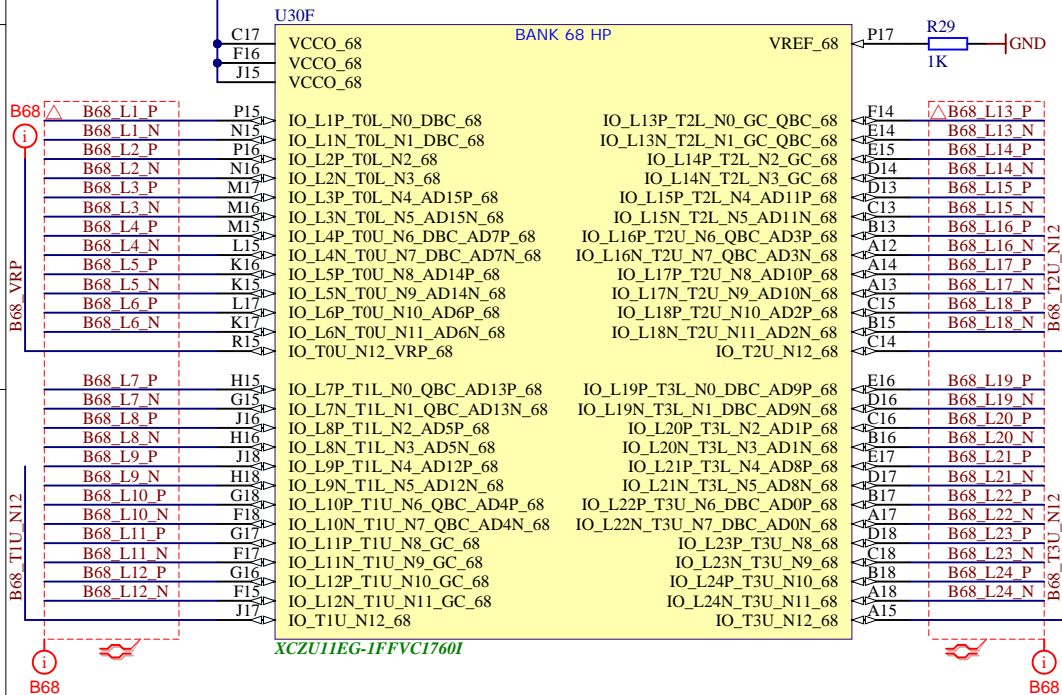
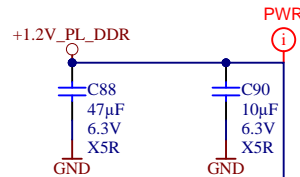
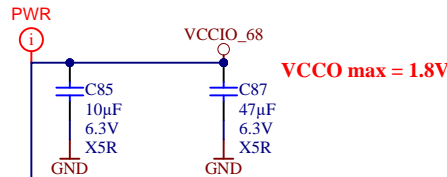


XCZU11EG-1FFVC17601

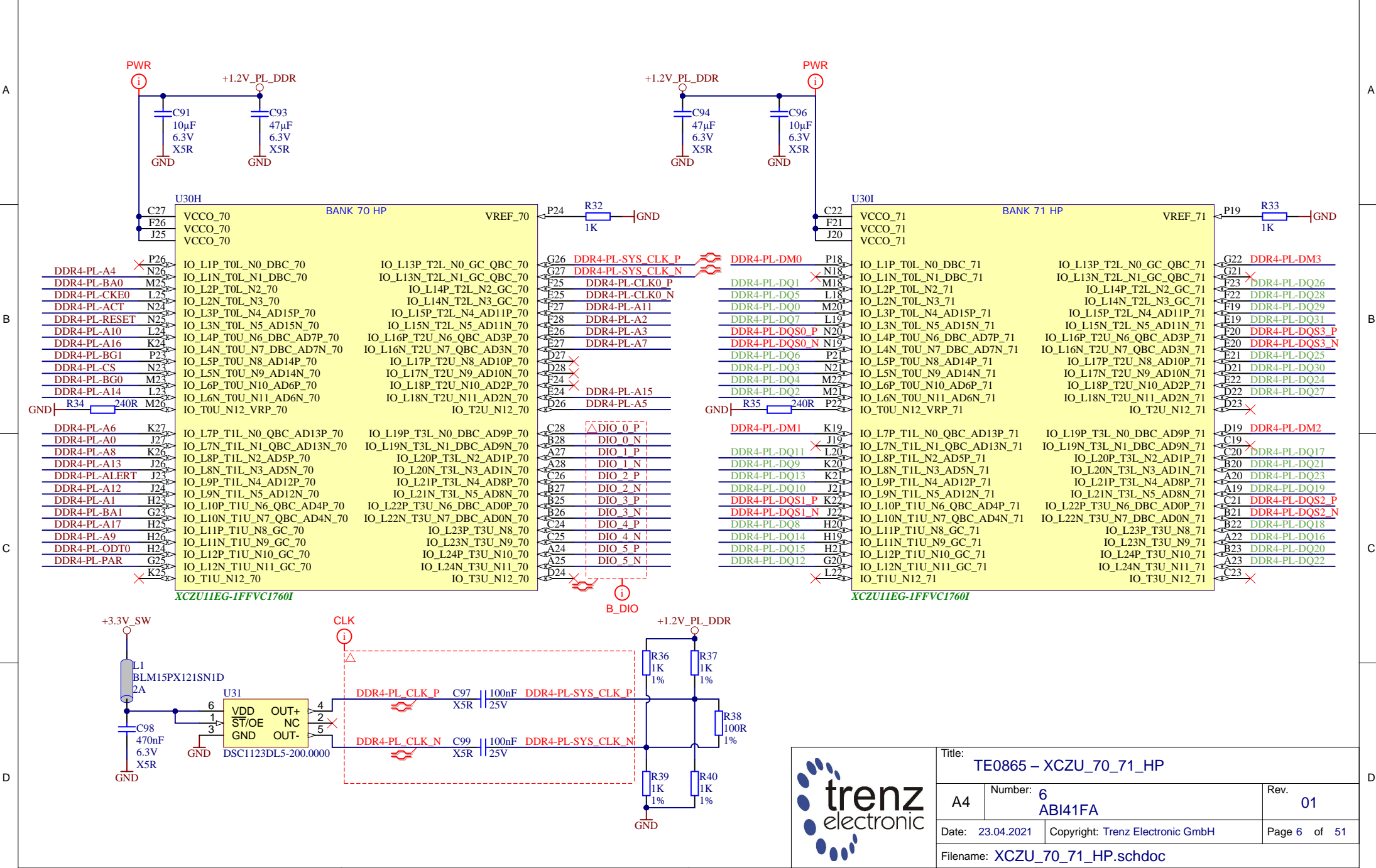
XCZU11EG-1FFVC17601



Title: TE0865 – XCZU_66_67_HP		
A4	Number: 4 ABI41FA	Rev. 01
Date: 23.04.2021	Copyright: Trenz Electronic GmbH	Page 4 of 51
Filename: XCZU_66_67_HP.schdoc		

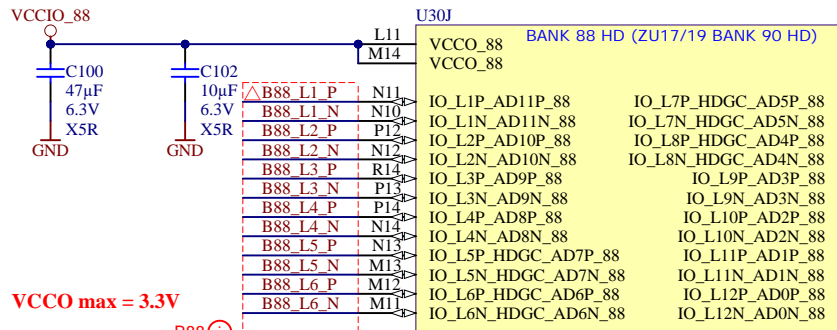


Title: TE0865 – XCZU_68_69_HP		
A4	Number: 5 ABI41FA	Rev. 01
Date: 23.04.2021	Copyright: Trenz Electronic GmbH	Page 5 of 51
Filename: XCZU_68_69_HP.schdoc		

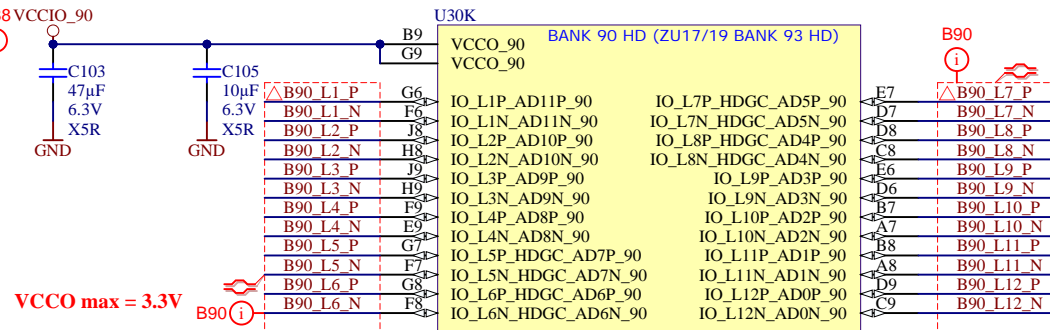


Title: TE0865 – XZU_70_71_HP		
A4	Number: 6 ABI41FA	Rev. 01
Date: 23.04.2021	Copyright: Trenz Electronic GmbH	Page 6 of 51
Filename: XZU_70_71_HP.schdoc		

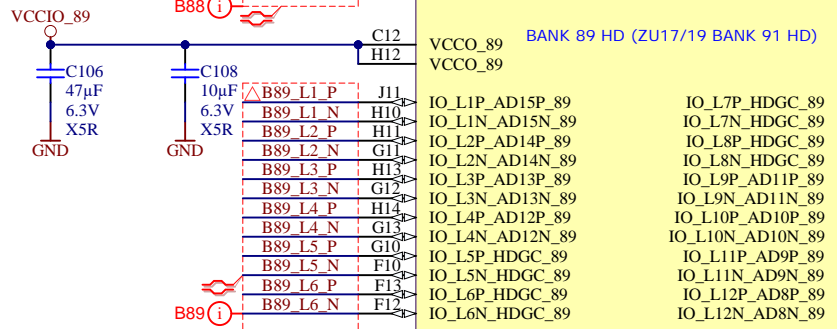
VCCO max = 3.3V



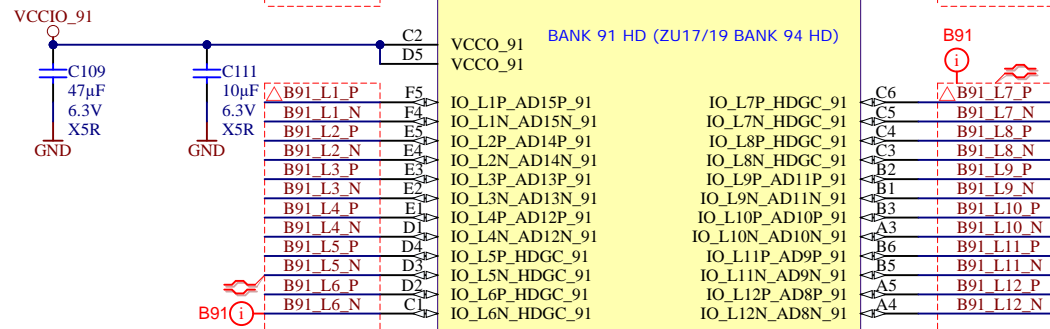
VCCO max = 3.3V



VCCO max = 3.3V



VCCO max = 3.3V

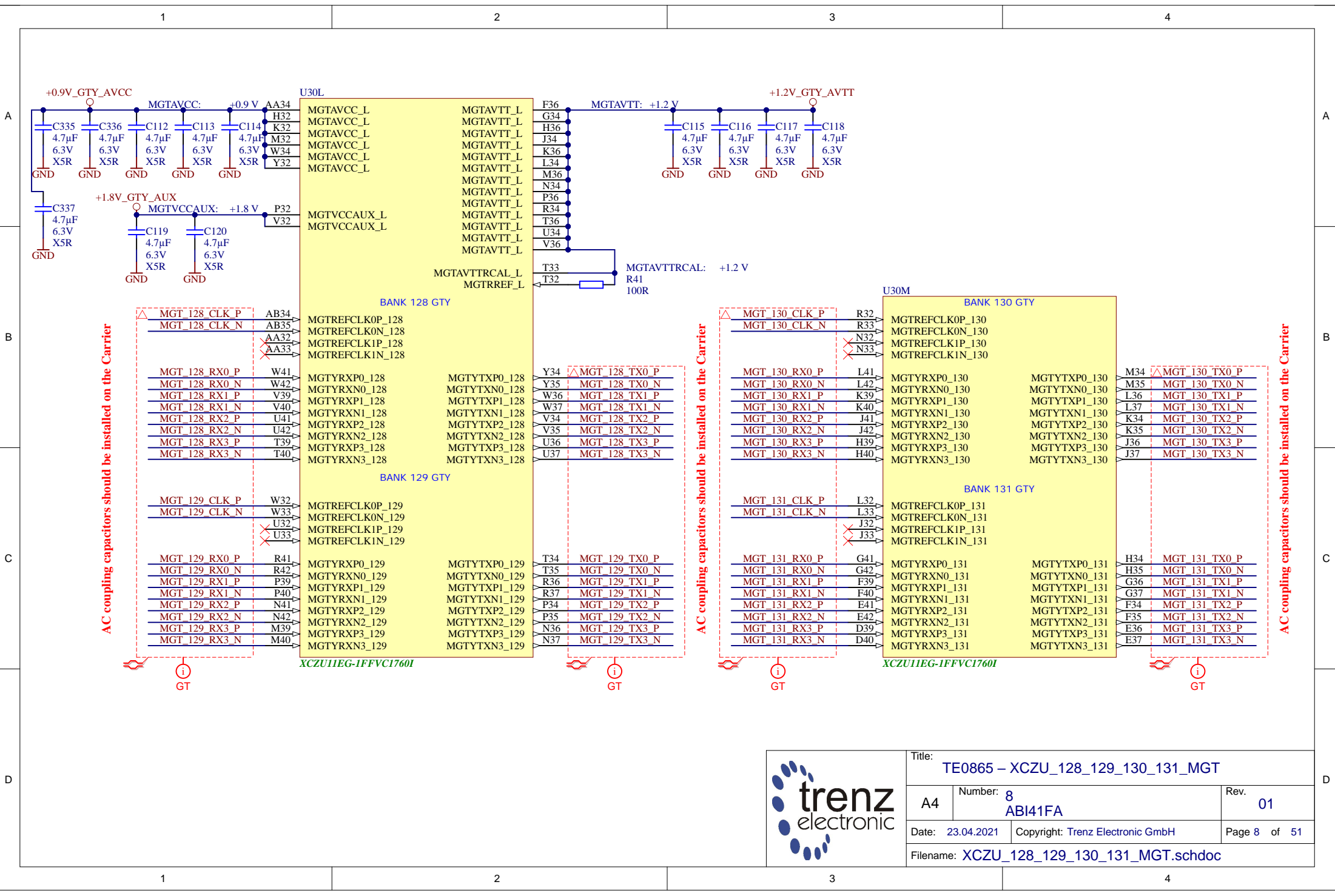



XCZU11EG-1FFVC1760I

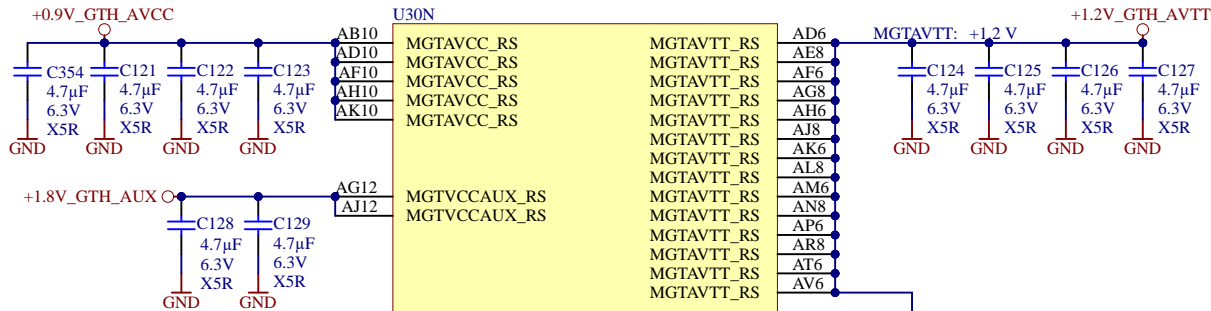
Title: TE0865 - XCZU_88_89_90_91_93_94_HD



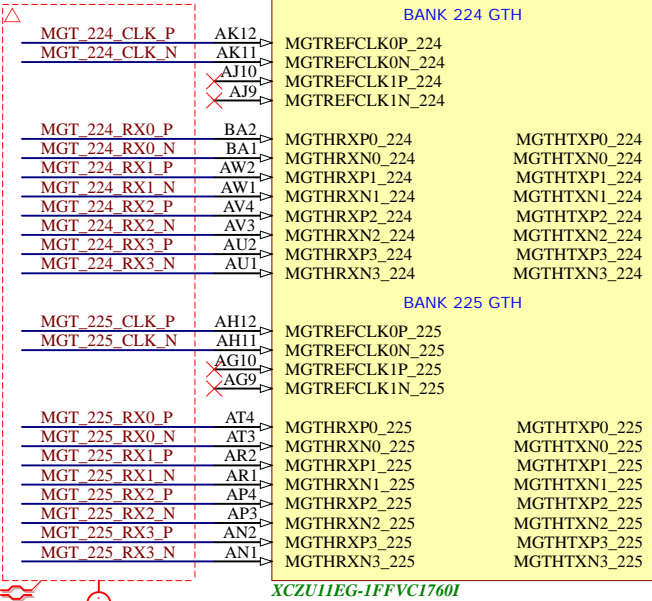
A4	Number: 7 ABI41FA	Rev. 01
Date: 23.04.2021	Copyright: Trenz Electronic GmbH	Page 7 of 51
Filename: XCZU_88_89_90_91_93_94_HD.schdoc		



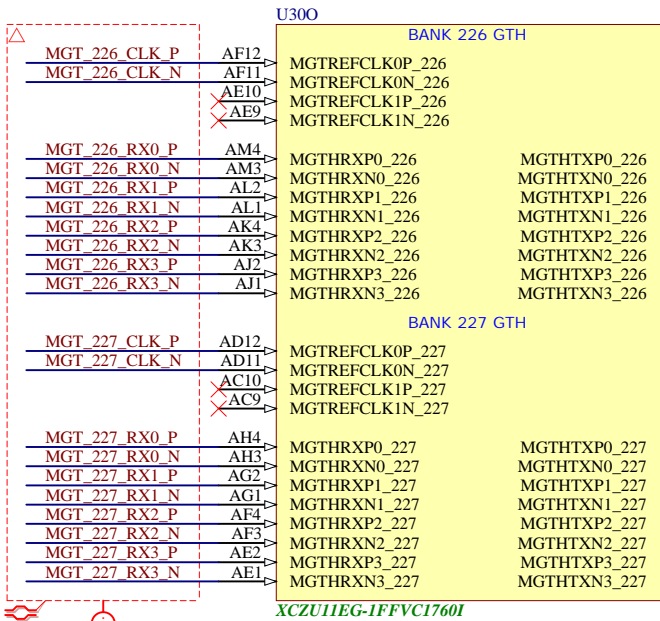
			Title: TE0865 – XCZU_128_129_130_131_MGT	
			A4	Number: 8 ABI41FA
Date: 23.04.2021		Copyright: Trenz Electronic GmbH		Page 8 of 51
Filename: XCZU_128_129_130_131_MGT.schdoc				




AC coupling capacitors should be installed on the Carrier



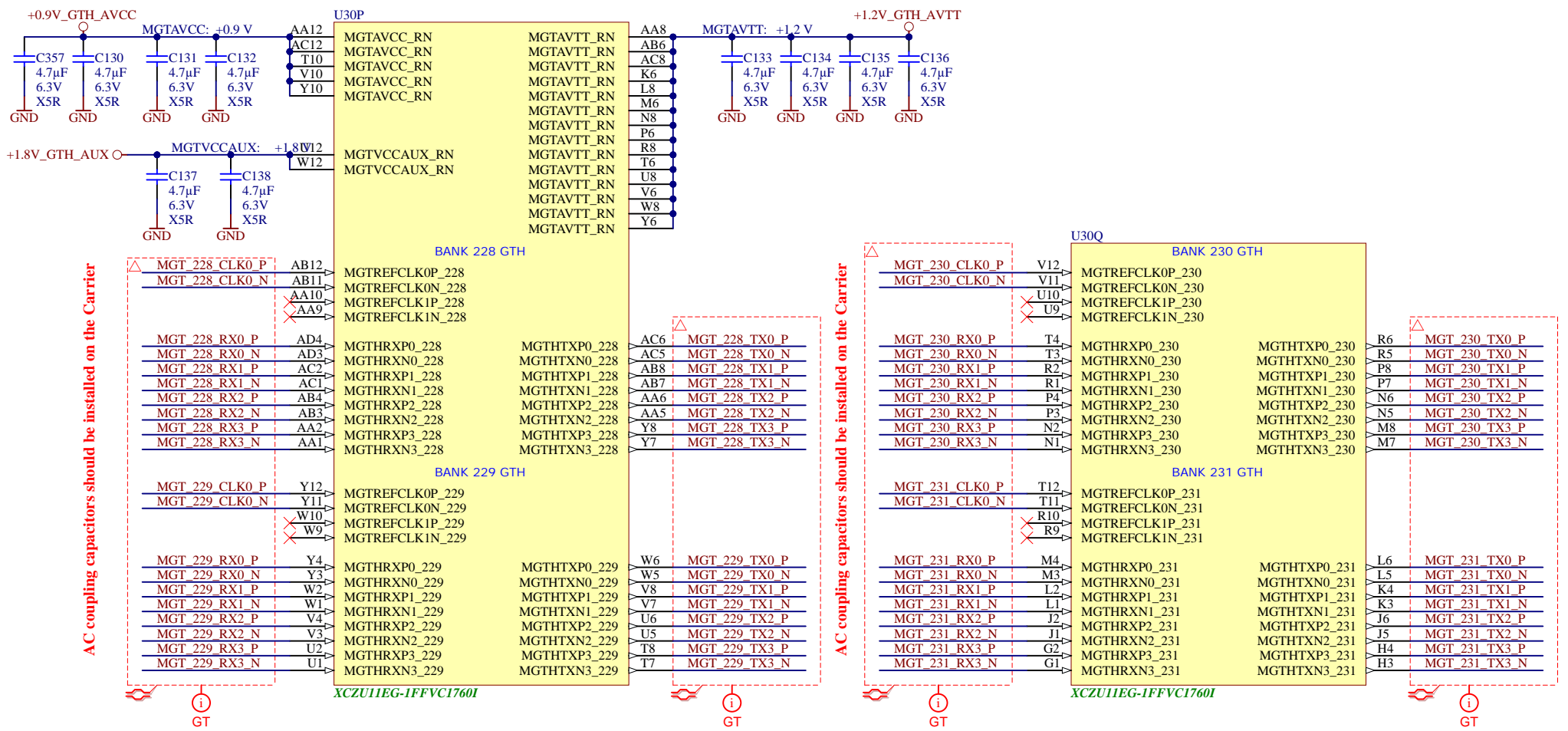
AC coupling capacitors should be installed on the Carrier



AC coupling capacitors should be installed on the Carrier



Title: TE0865 – XCZU_224_225_226_227_MGT		
A4	Number: 9 ABI41FA	Rev. 01
Date: 23.04.2021	Copyright: Trenz Electronic GmbH	Page 9 of 51
Filename: XCZU_224_225_226_227_MGT.schdoc		



AC coupling capacitors should be installed on the Carrier

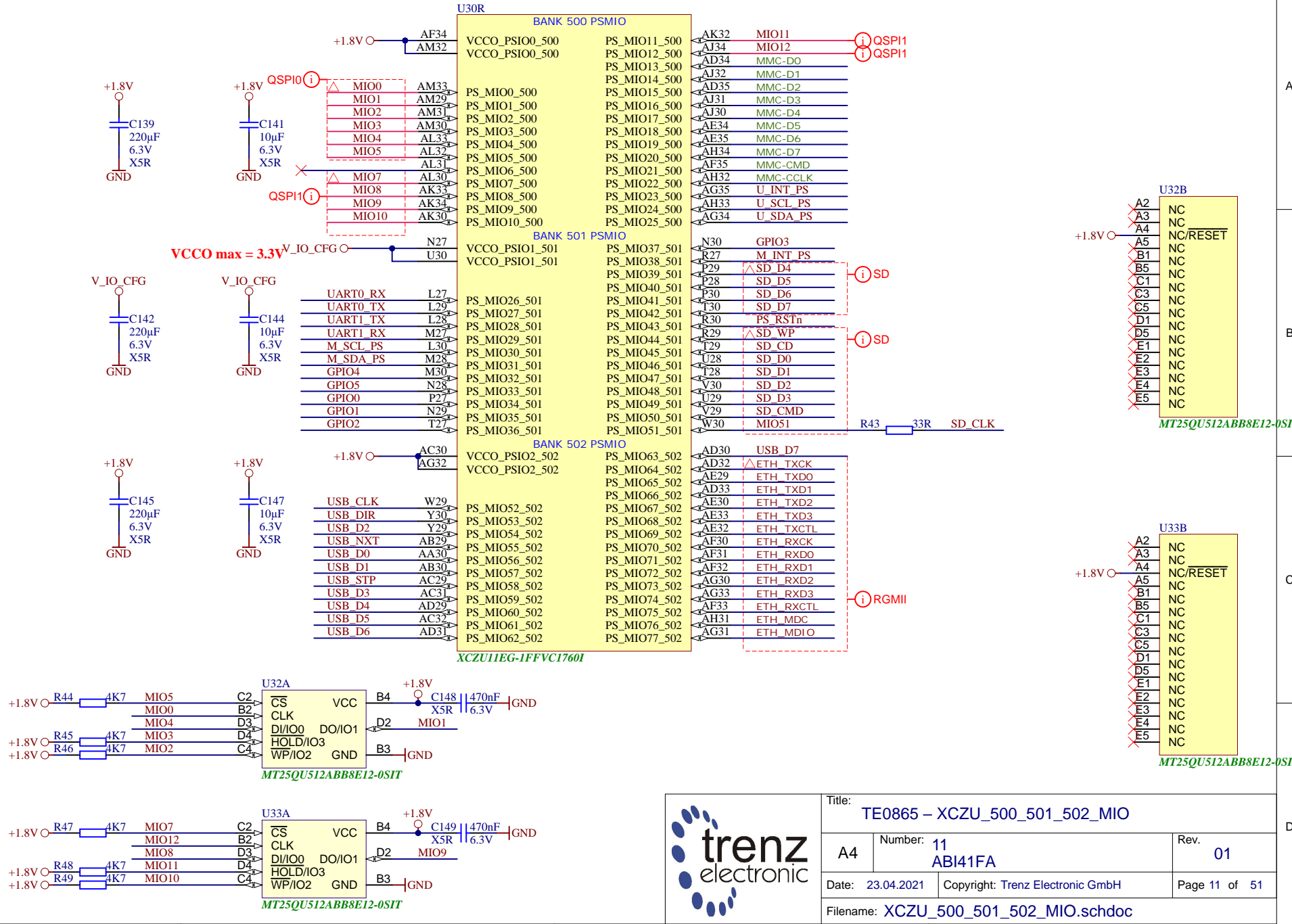
AC coupling capacitors should be installed on the Carrier

AC coupling capacitors should be installed on the Carrier

trenz electronic

Title: TE0865 – XCZU_228_229_230_231_MGT

A4	Number: 10 ABI41FA	Rev. 01
Date: 23.04.2021	Copyright: Trenz Electronic GmbH	Page 10 of 51
Filename: XCZU_228_229_230_231_MGT.schdoc		



Title: TE0865 - XCZU_500_501_502_MIO		
A4	Number: 11 ABI41FA	Rev. 01
Date: 23.04.2021	Copyright: Trenz Electronic GmbH	Page 11 of 51
Filename: XCZU_500_501_502_MIO.schdoc		

A

A

B

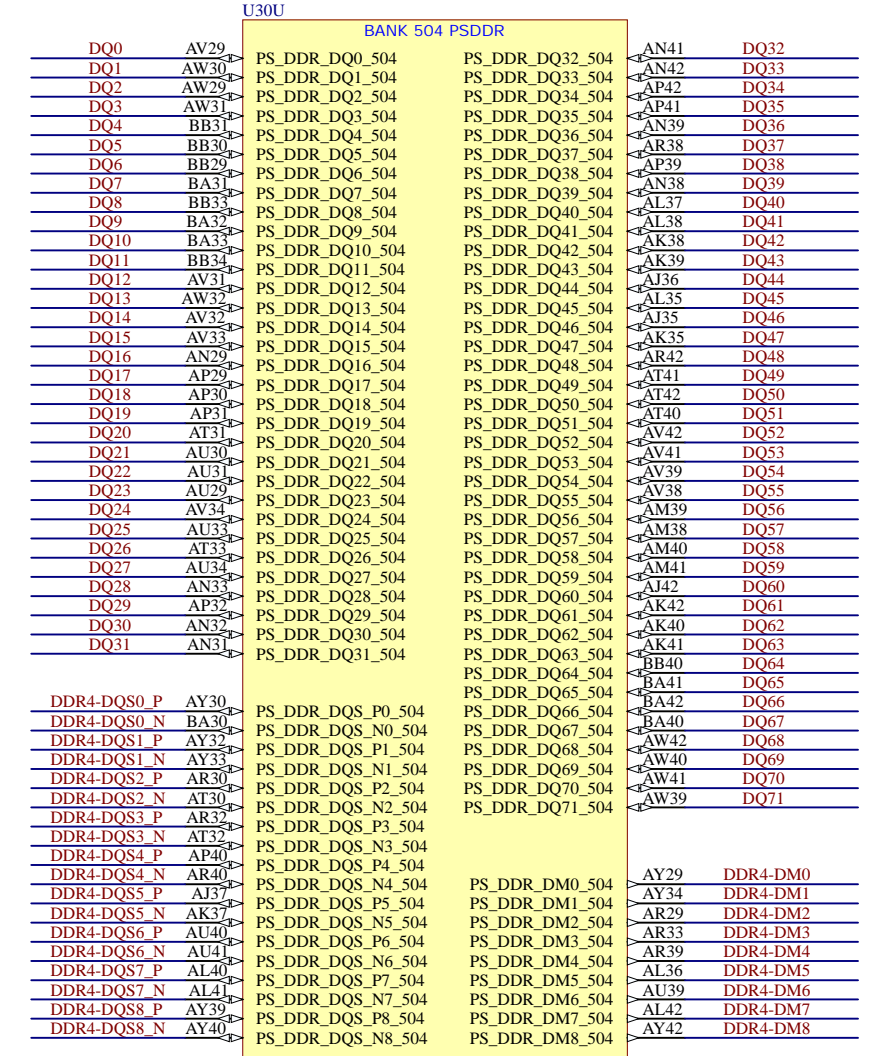
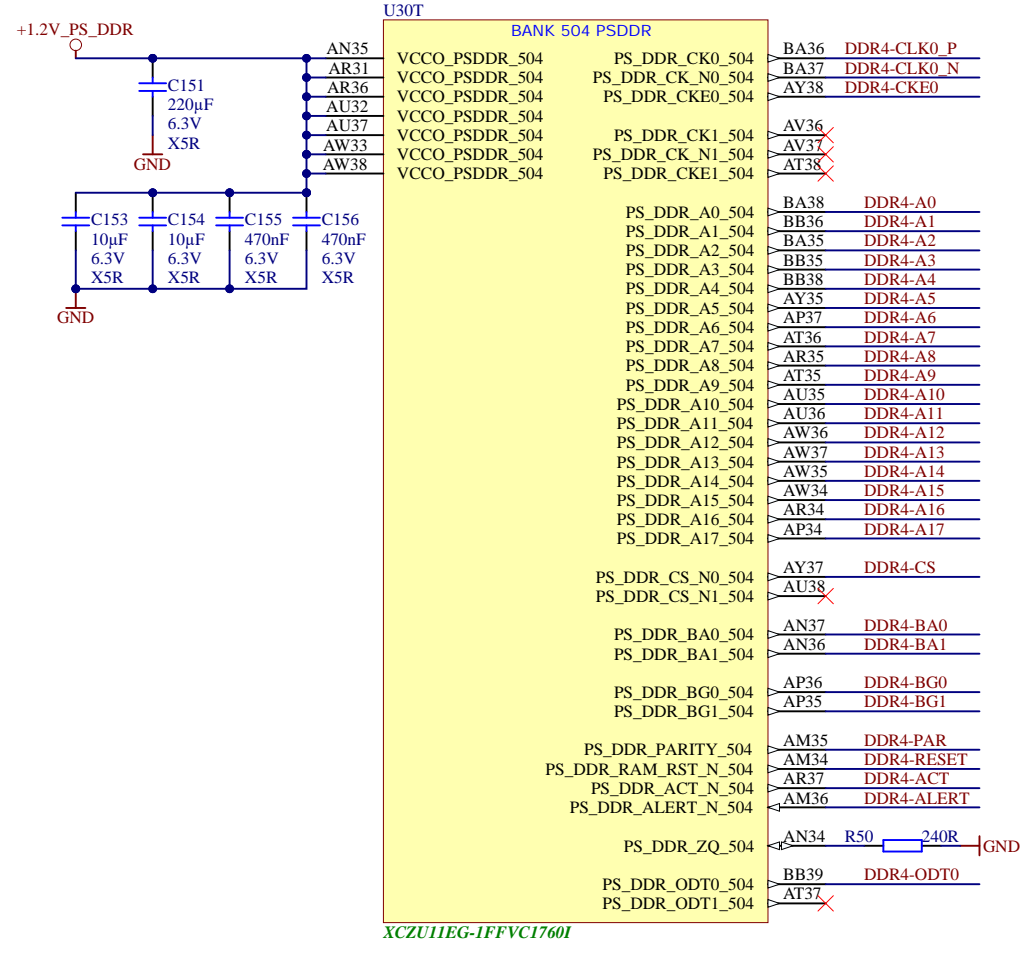
B

C

C

D

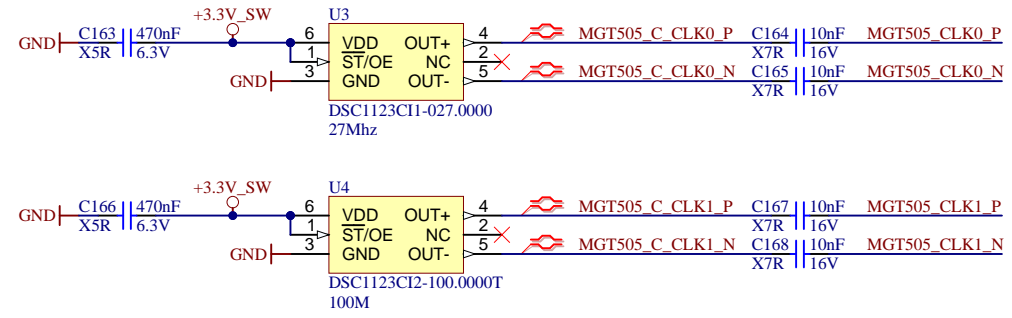
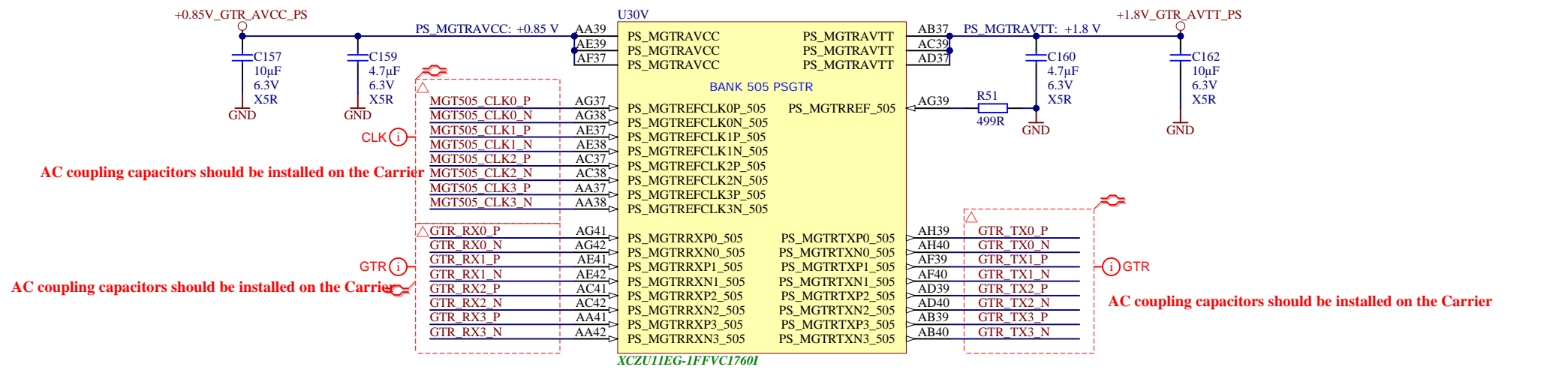
D



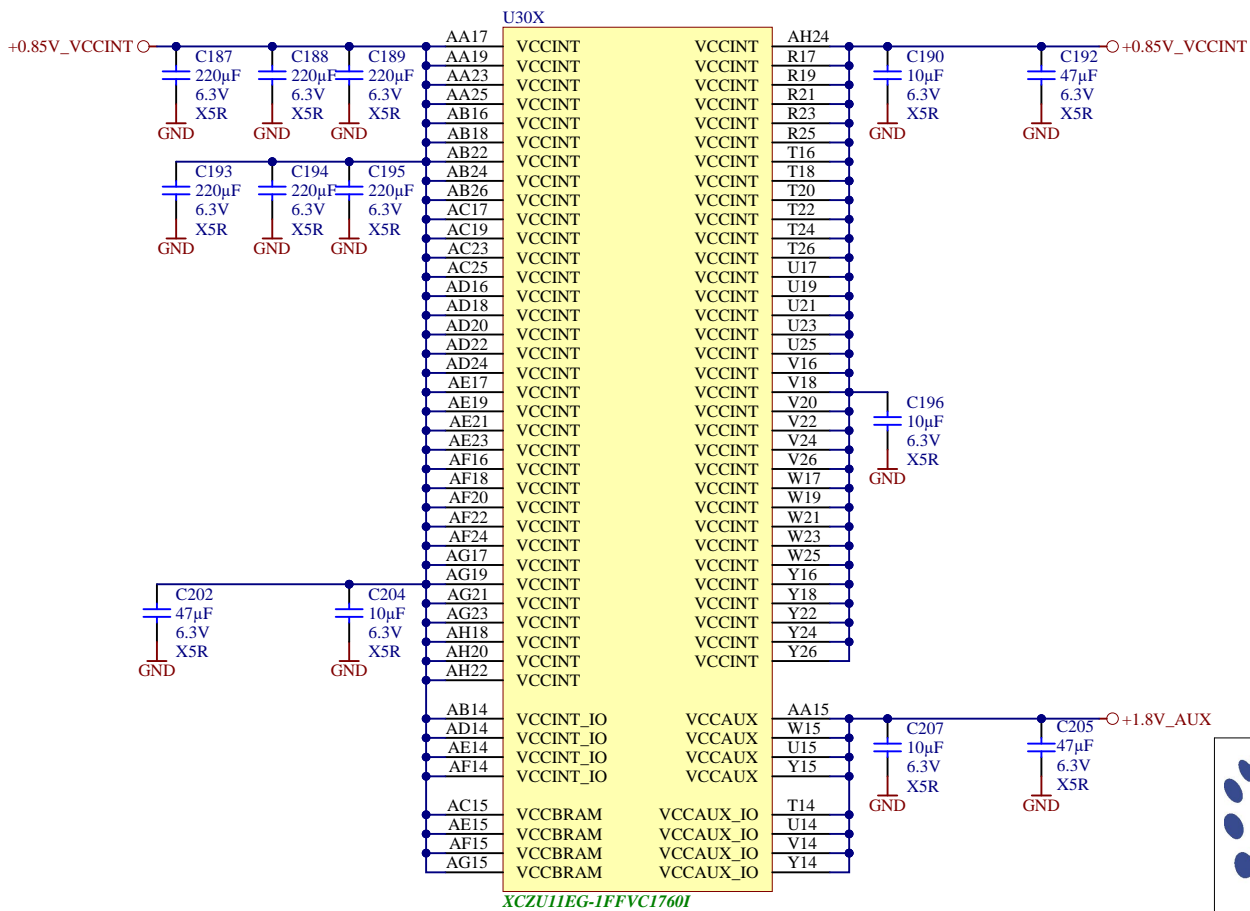
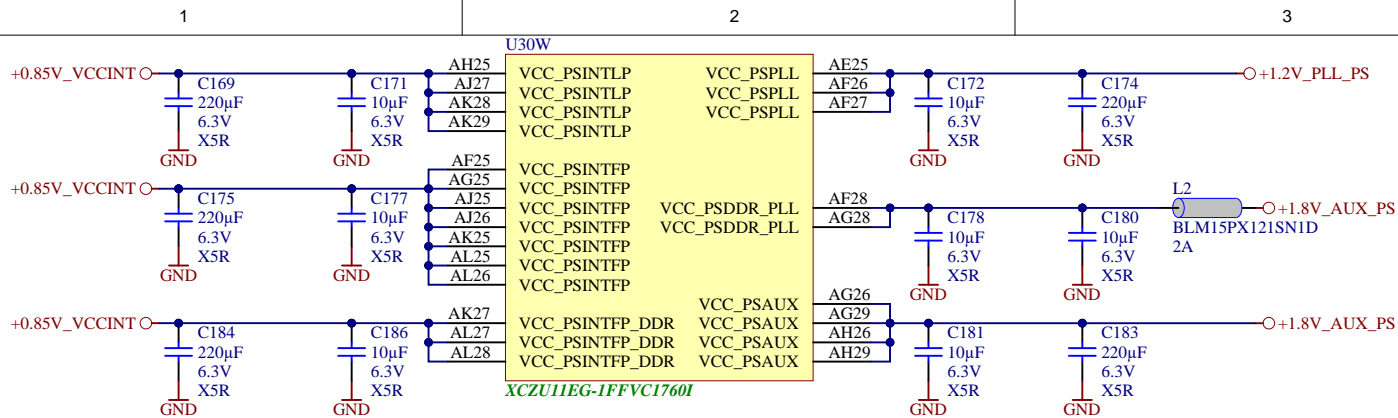
trenz electronic

Title: **TE0865 – XCZU_504_PSDDR**

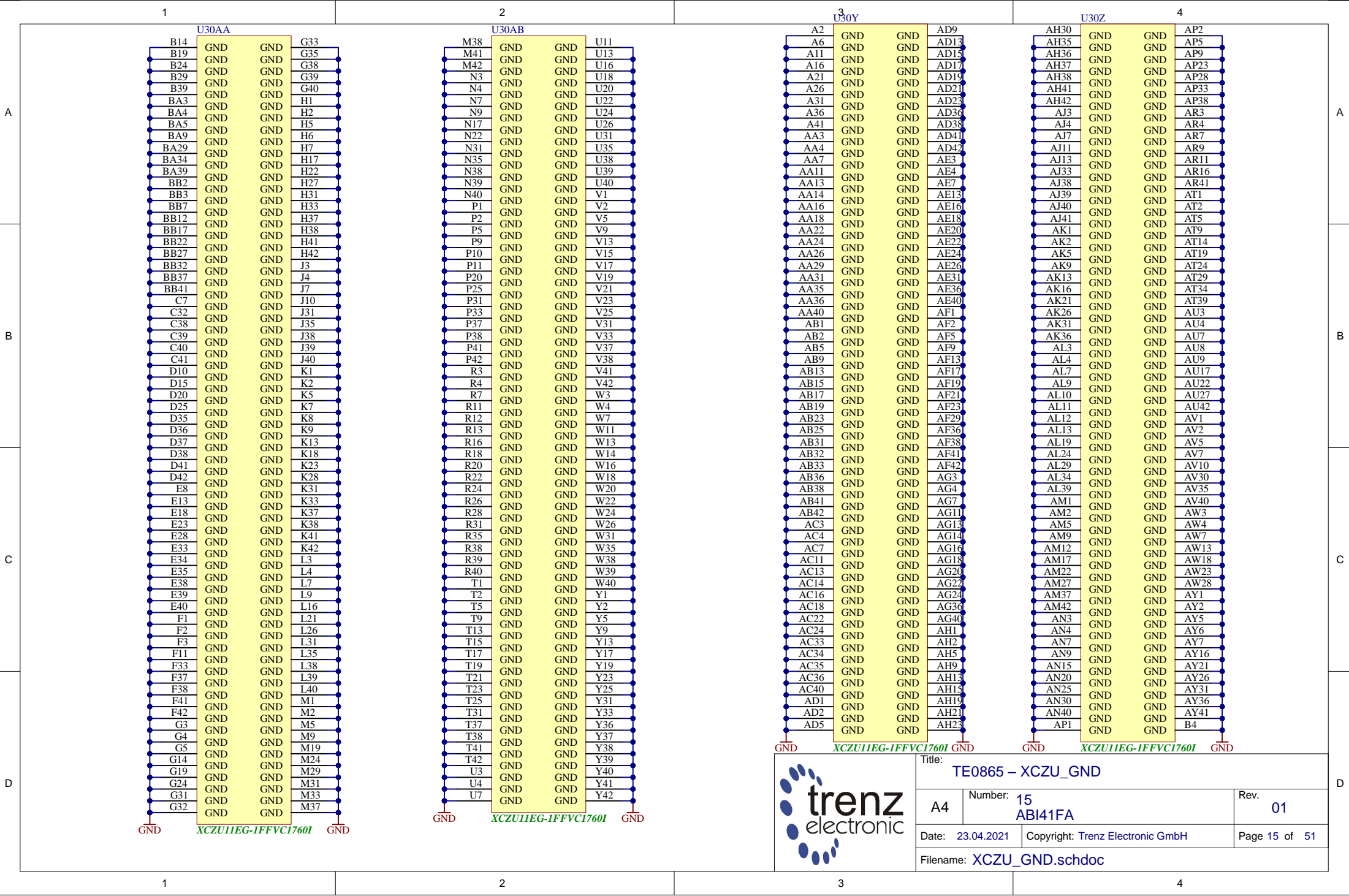
A4	Number: 12 ABI41FA	Rev. 01
Date: 23.04.2021	Copyright: Trenz Electronic GmbH	Page 12 of 51
Filename: XCZU_504_PSDDR.schdoc		



	Title: TE0865 – XCZU_505_MGT		
	A4	Number: 13 ABI41FA	Rev. 01
	Date: 23.04.2021	Copyright: Trenz Electronic GmbH	Page 13 of 51
	Filename: XCZU_505_MGT.schdoc		



Title: TE0865 – XCZU_POWER		
A4	Number: 14 ABI41FA	Rev. 01
Date: 23.04.2021	Copyright: Trenz Electronic GmbH	Page 14 of 51
Filename: XCZU_POWER.schdoc		



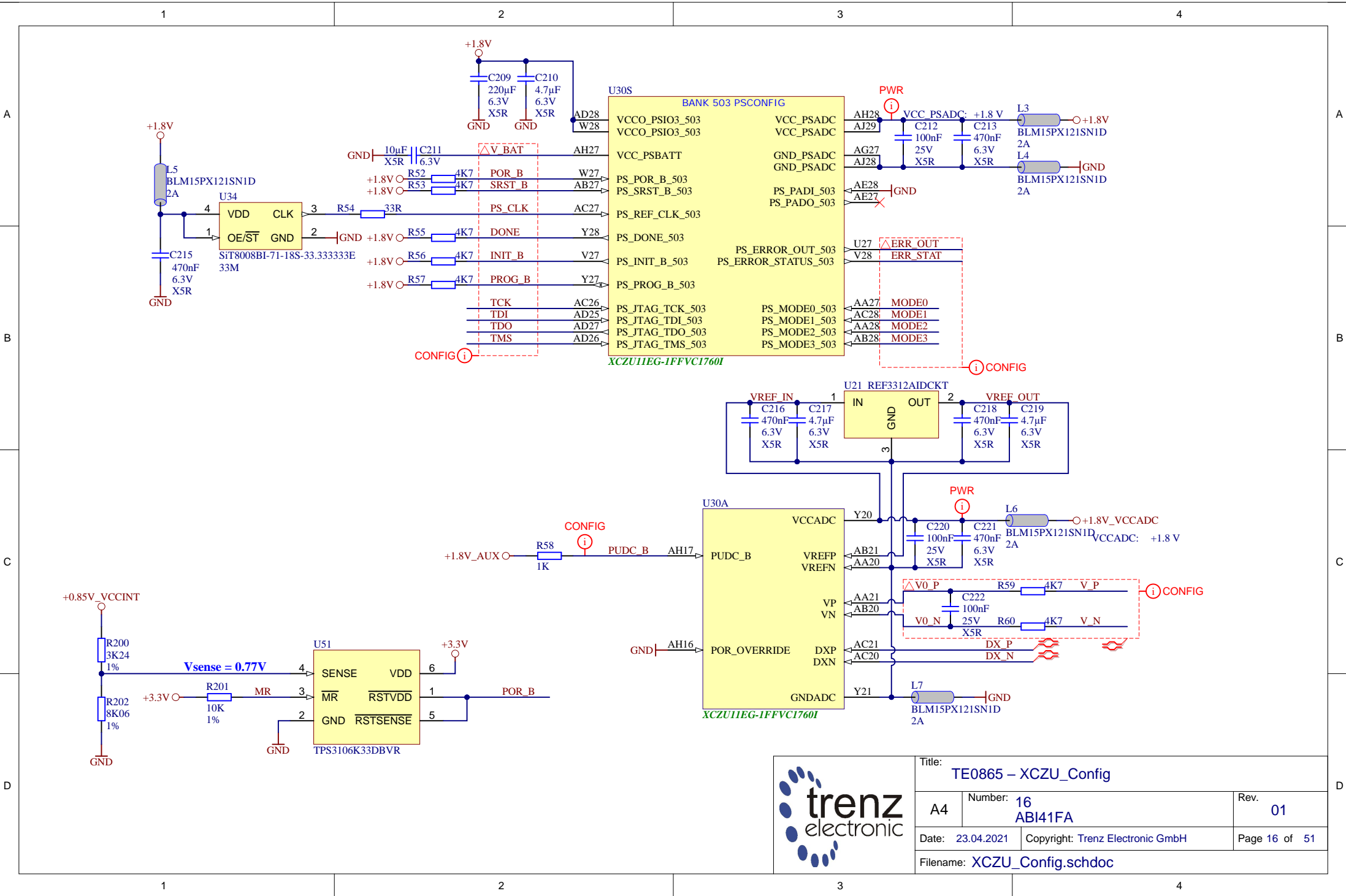
Title: TE0865 – XCZU_GND		
A4	Number: 15 ABI41FA	Rev. 01
Date: 23.04.2021	Copyright: Trenz Electronic GmbH	Page 15 of 51
Filename: XCZU_GND.schdoc		


1

2

3

4



			Title: TE0865 – XZU_Config	
			A4	Number: 16 ABI41FA
Date: 23.04.2021		Copyright: Trenz Electronic GmbH		Rev. 01
Filename: XZU_Config.schdoc				

D

D

1

2

3

4

A

A

B

B

C

C

D

D

DDR4-PS-RAM_1

DDR4-PS-RAM_2

DDR4-PS-RAM_3

DDR4-PS-RAM_4

DDR4-PS-RAM_5

DDR4-PS-TERM



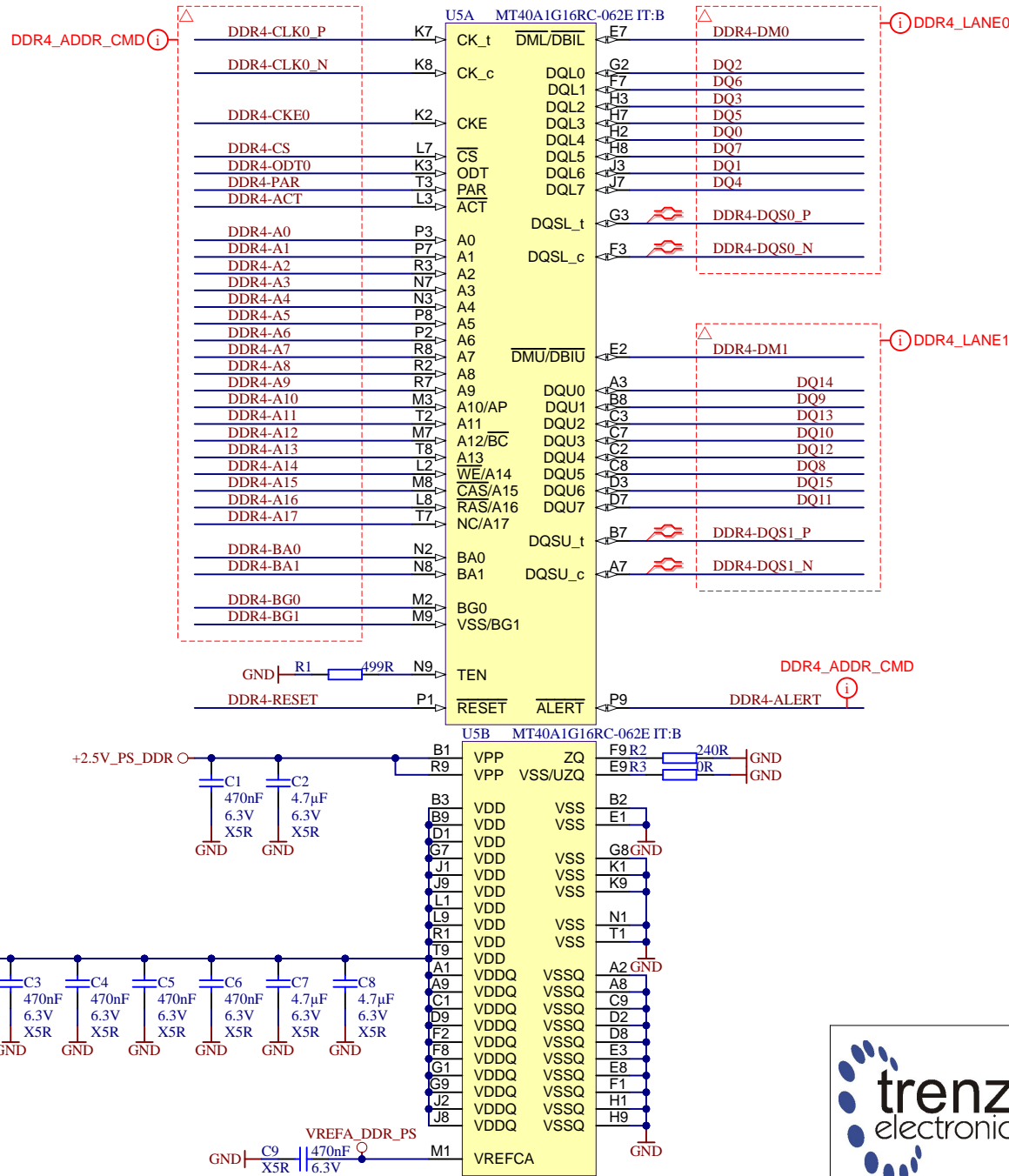
Title: TE0865 – DDR4-PS		
A4	Number: 17 ABI41FA	Rev. 01
Date: 23.04.2021	Copyright: Trenz Electronic GmbH	Page 17 of 51
Filename: DDR4-PS.SchDoc		

1

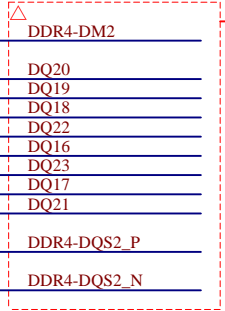
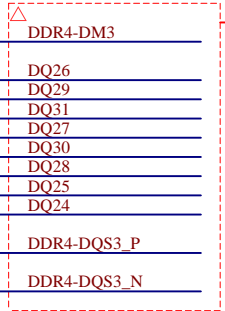
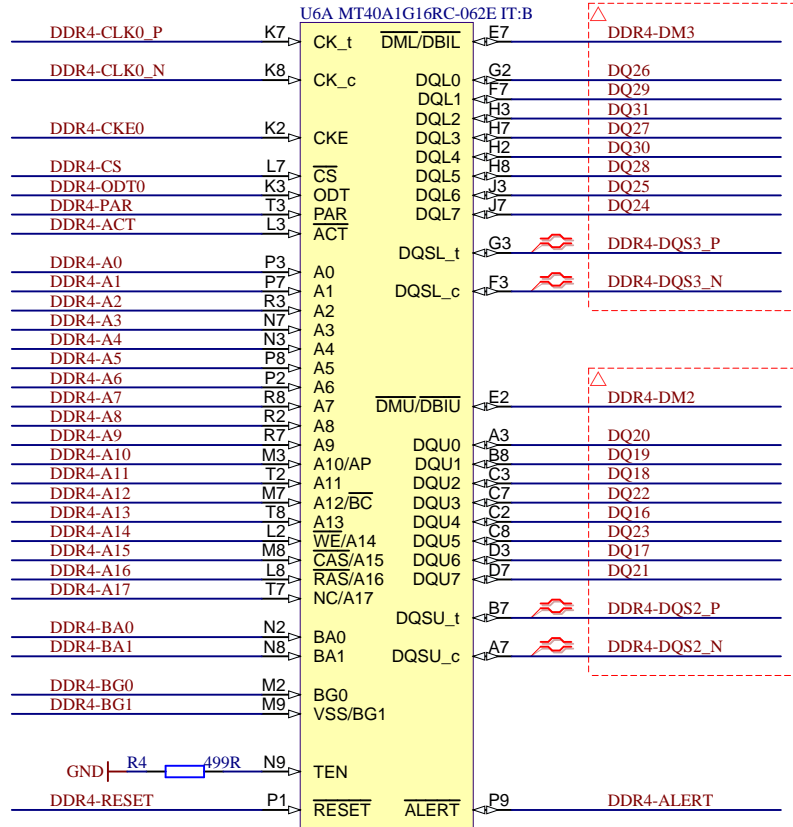
2

3

4

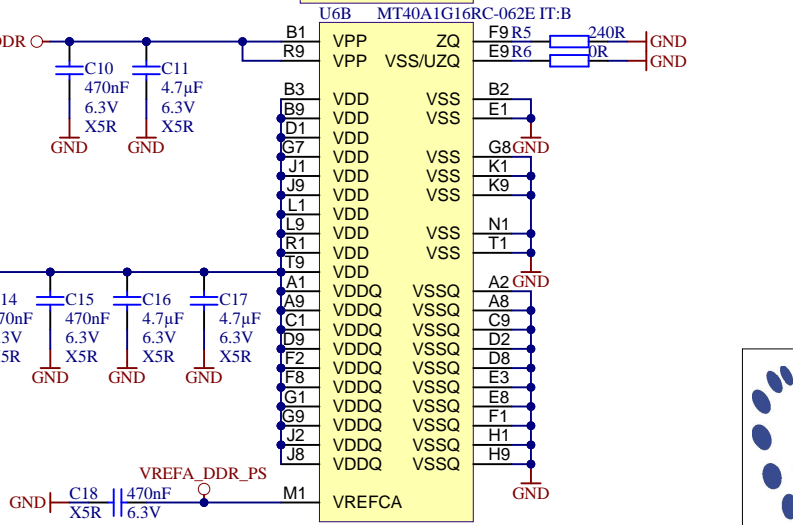


Title: TE0865 – DDR4-PS-RAM_1		
A4	Number: 18 ABI41FA	Rev. 01
Date: 23.04.2021	Copyright: Trenz Electronic GmbH	Page 18 of 51
Filename: DDR4-RAM_1.SchDoc		

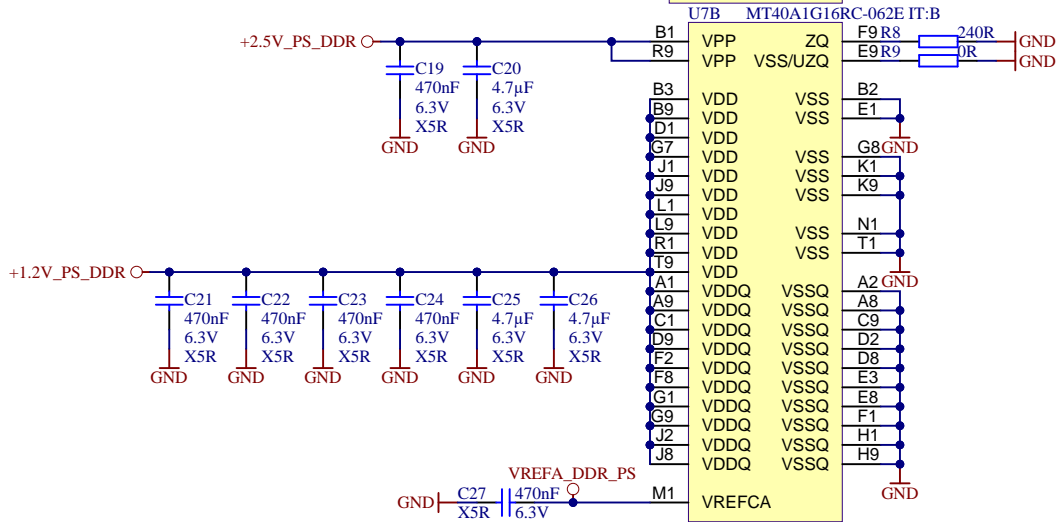
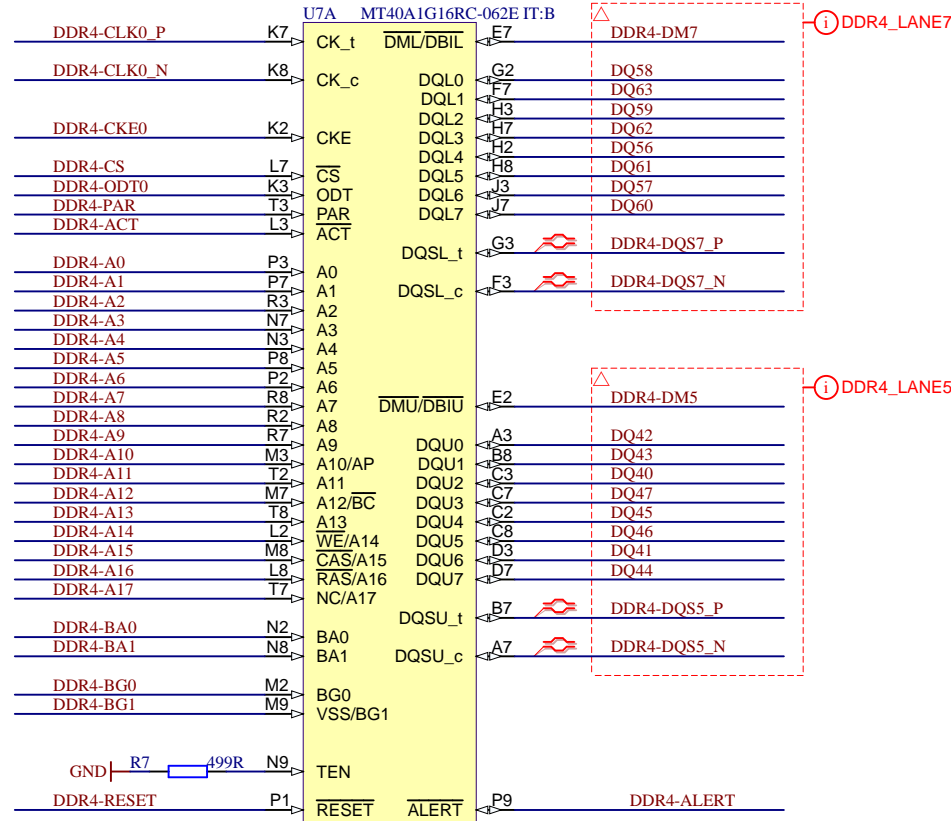



DDR4_LANE3

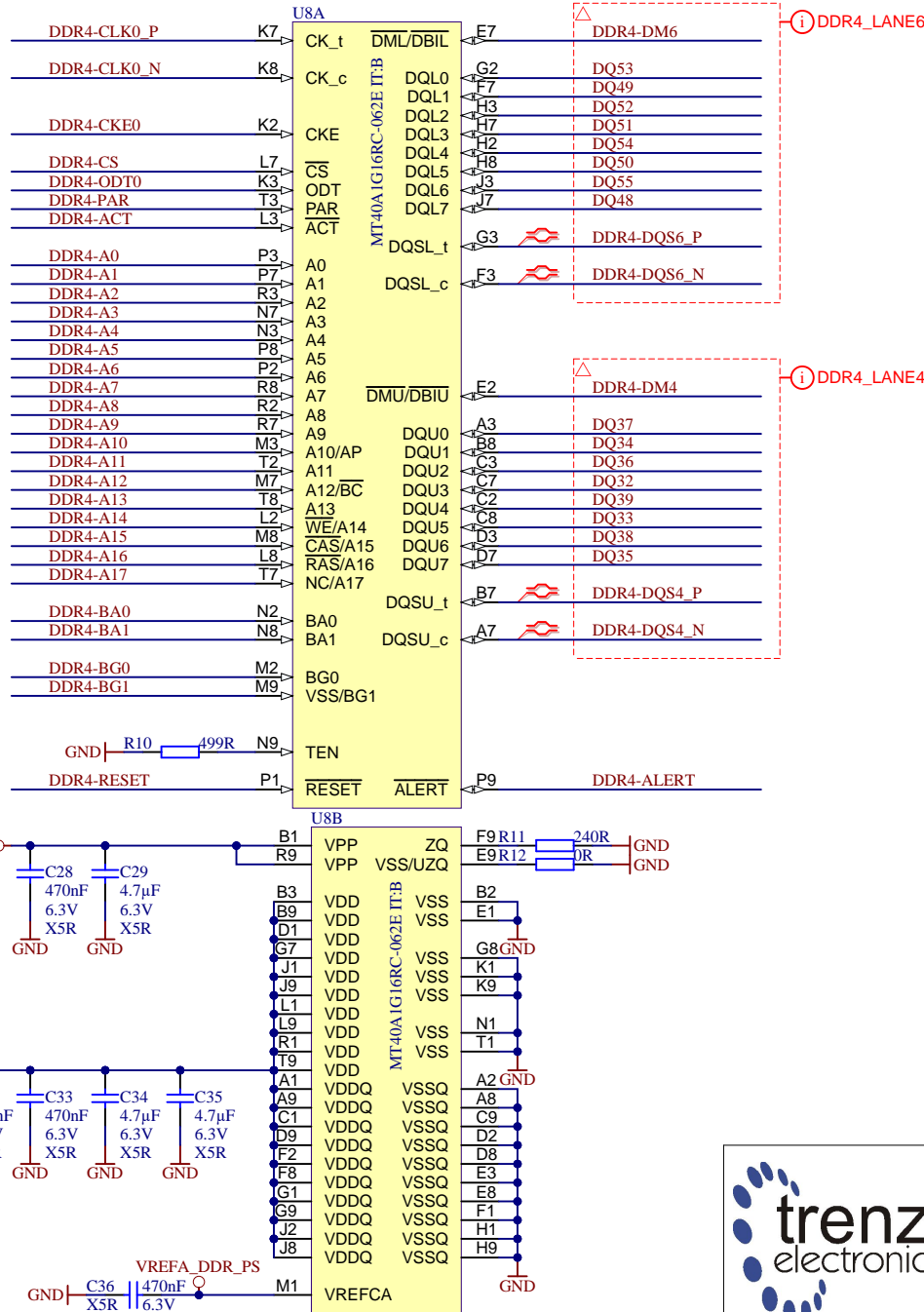
DDR4_LANE2



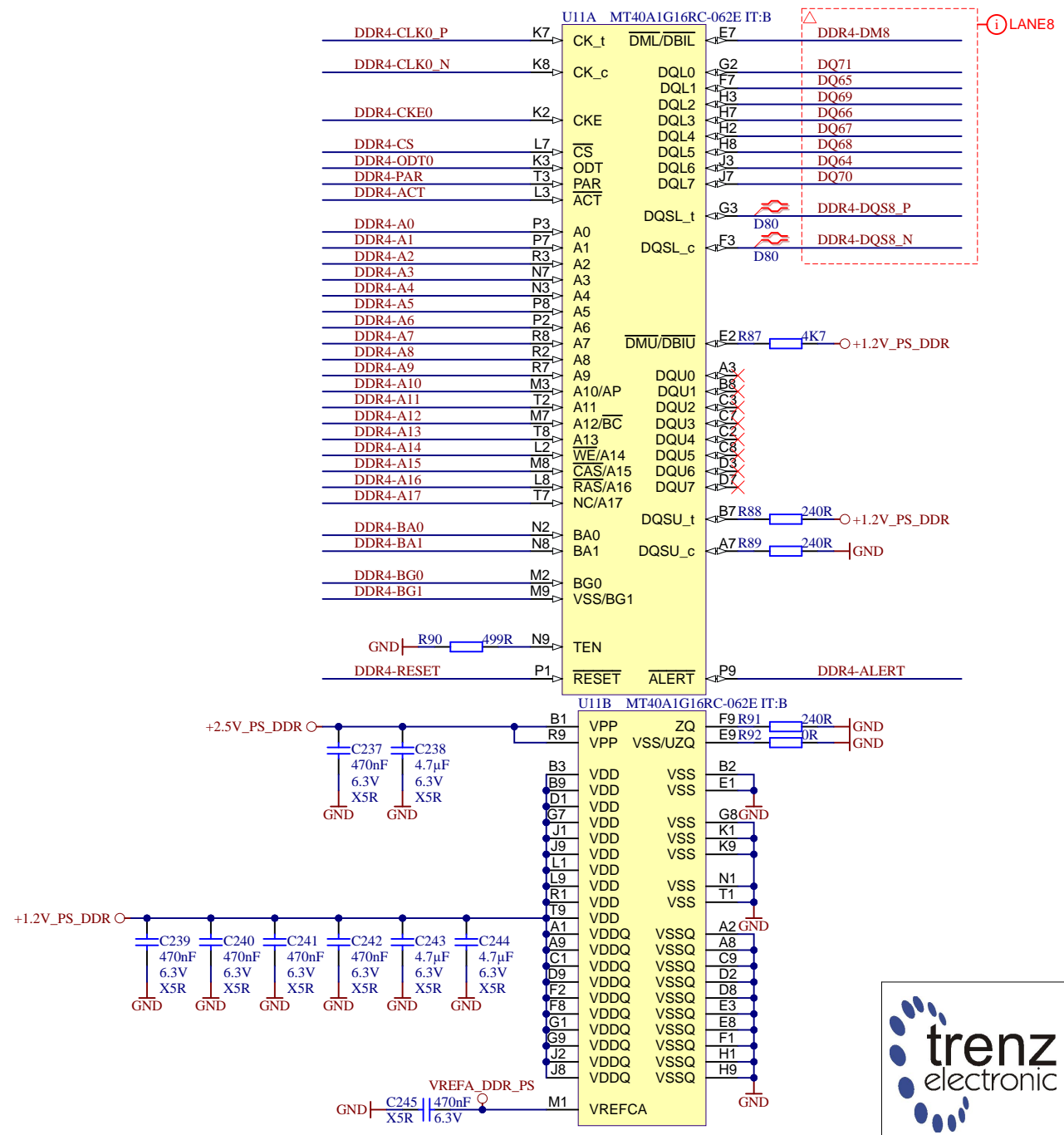
Title: TE0865 - DDR4-PS-RAM_2		
A4	Number: 19 ABI41FA	Rev. 01
Date: 23.04.2021	Copyright: Trenz Electronic GmbH	Page 19 of 51
Filename: DDR4-RAM_2.SchDoc		

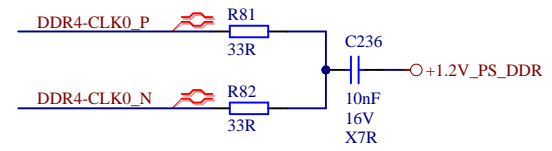
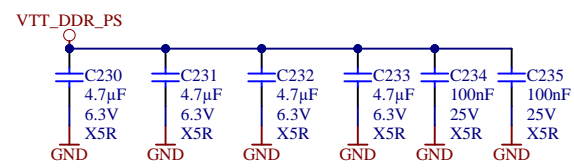
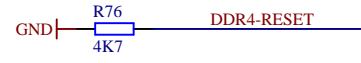
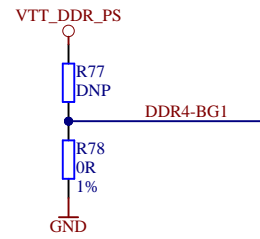
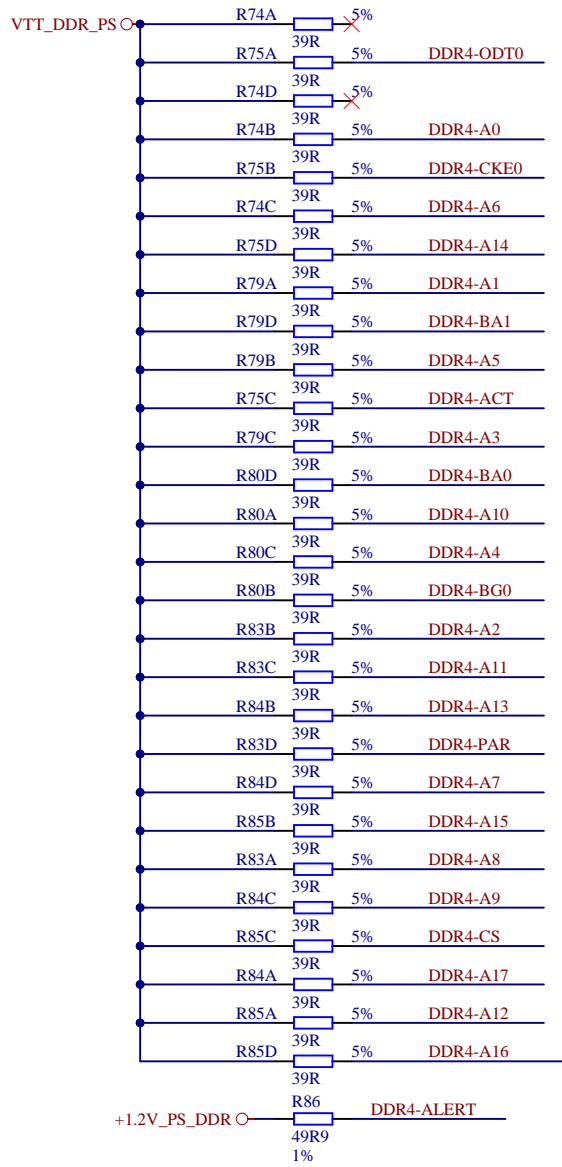
Title: TE0865 – DDR4-PS-RAM_3		
A4	Number: 20 ABI41FA	Rev. 01
Date: 23.04.2021	Copyright: Trenz Electronic GmbH	Page 20 of 51
Filename: DDR4-RAM_3.SchDoc		



Title: TE0865 – DDR4-PS-RAM_4		
A4	Number: 21 ABI41FA	Rev. 01
Date: 23.04.2021	Copyright: Trenz Electronic GmbH	Page 21 of 51
Filename: DDR4-RAM_4.SchDoc		



Title: TE0865 – DDR4-PS-RAM_5		
A4	Number: 22 ABI41FA	Rev. 01
Date: 23.04.2021	Copyright: Trenz Electronic GmbH	Page 22 of 51
Filename: DDR4-RAM_5.SchDoc		



Title: TE0865 – DDR4-PS-TERM		
A4	Number: 23 ABI41FA	Rev. 01
Date: 23.04.2021	Copyright: Trenz Electronic GmbH	Page 23 of 51
Filename: DDR4-TERM.SchDoc		

1

2

3

4

A

A

B

B

C

C

D

D


DDR4-PL-RAM_1

DDR4-PL-RAM_2

DDR4-PL-RAM_3

DDR4-PL-RAM_4

DDR4-PL-TERM

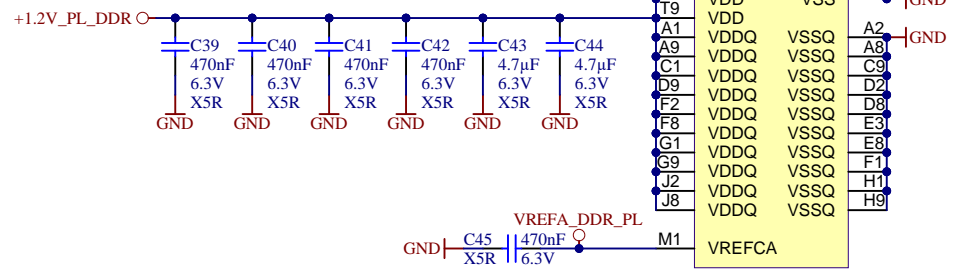
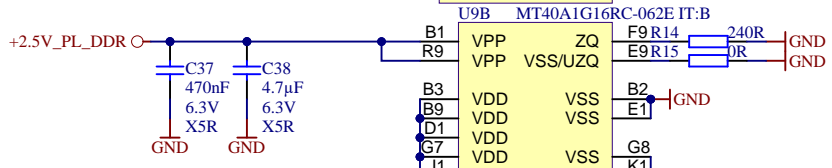
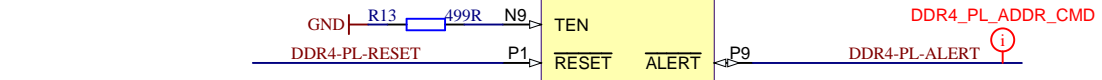
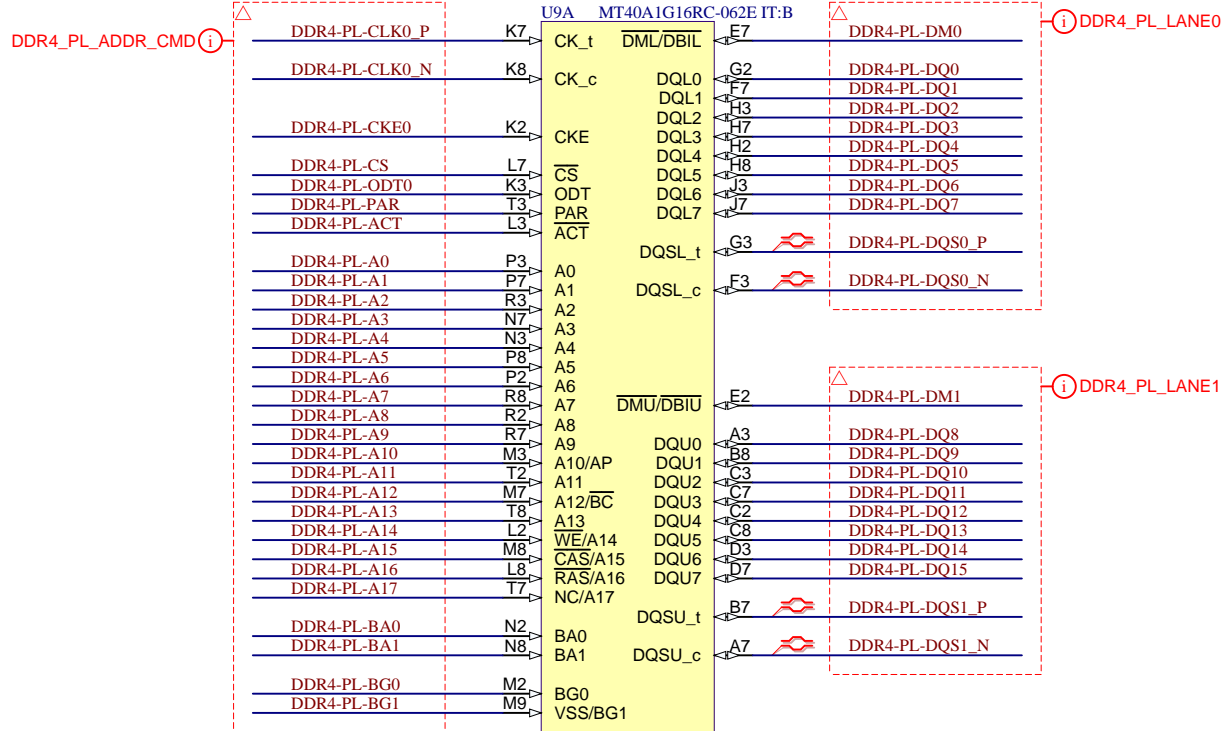
	Title: TE0865 – DDR4-PL		
	A4	Number: 24 ABI41FA	Rev. 01
	Date: 23.04.2021	Copyright: Trenz Electronic GmbH	Page 24 of 51
	Filename: DDR4-PL.SchDoc		

1

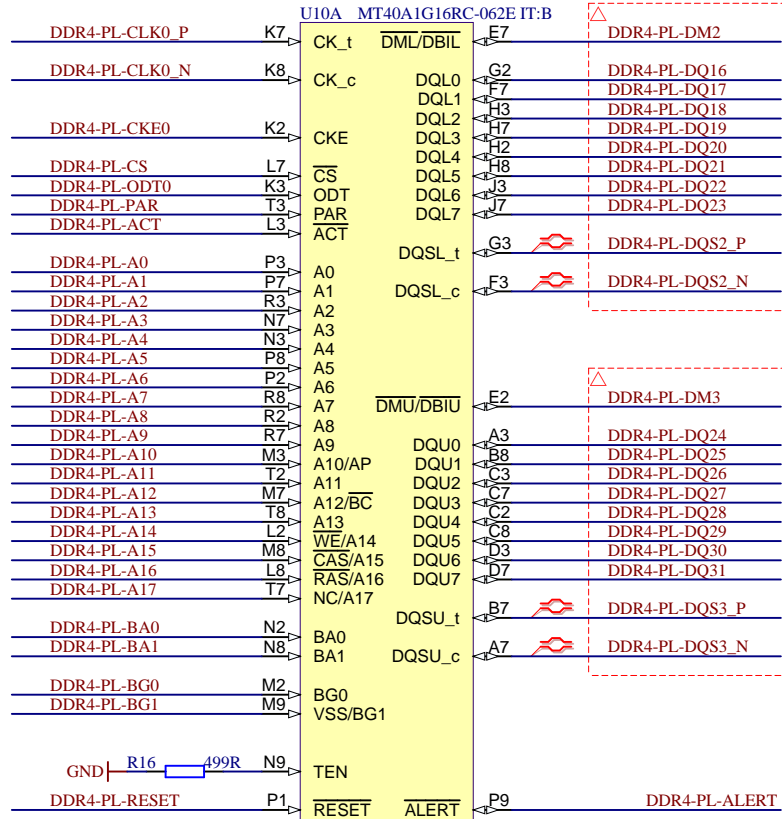
2

3

4

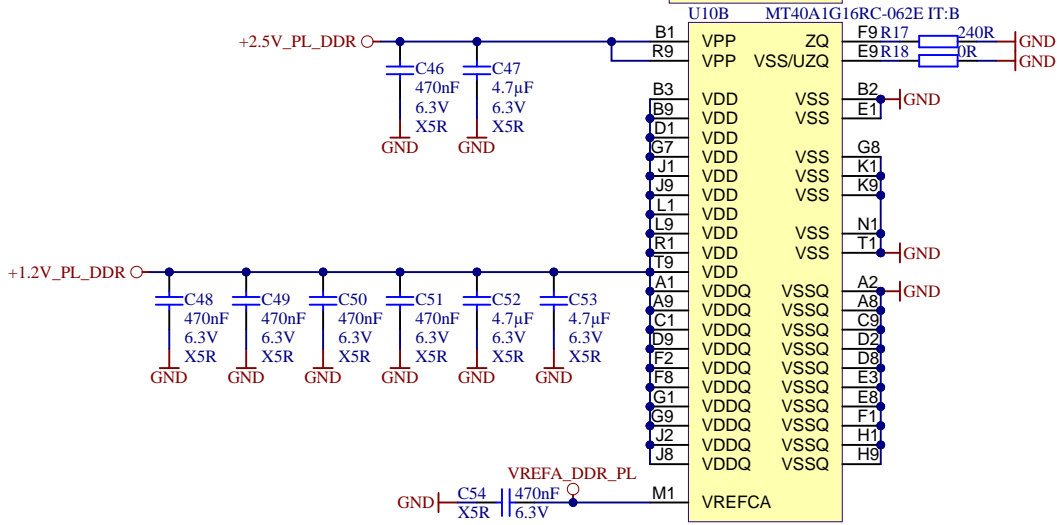


Title: TE0865 – DDR4-PL-RAM_1		
A4	Number: 25 ABI41FA	Rev. 01
Date: 23.04.2021	Copyright: Trenz Electronic GmbH	Page 25 of 51
Filename: DDR4-PL-RAM_1.SchDoc		

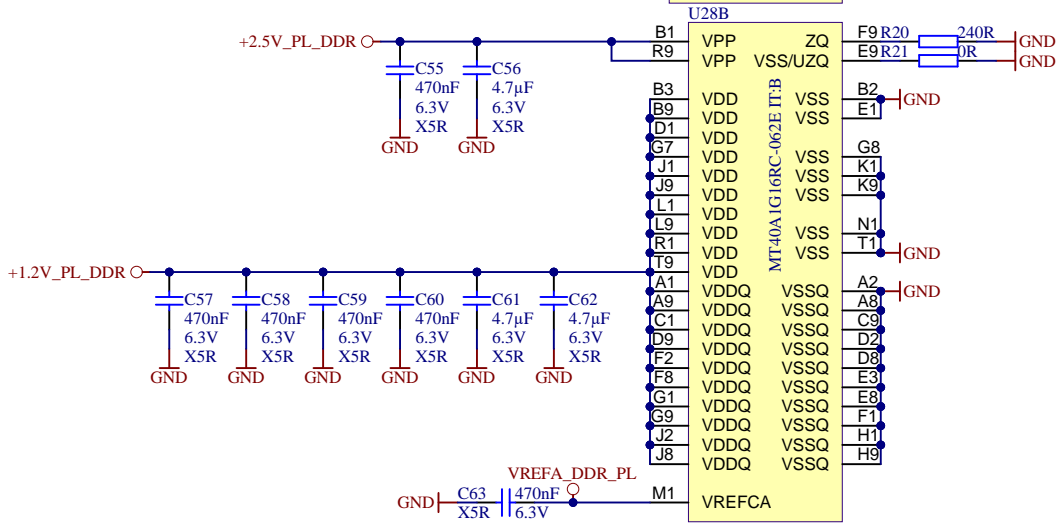
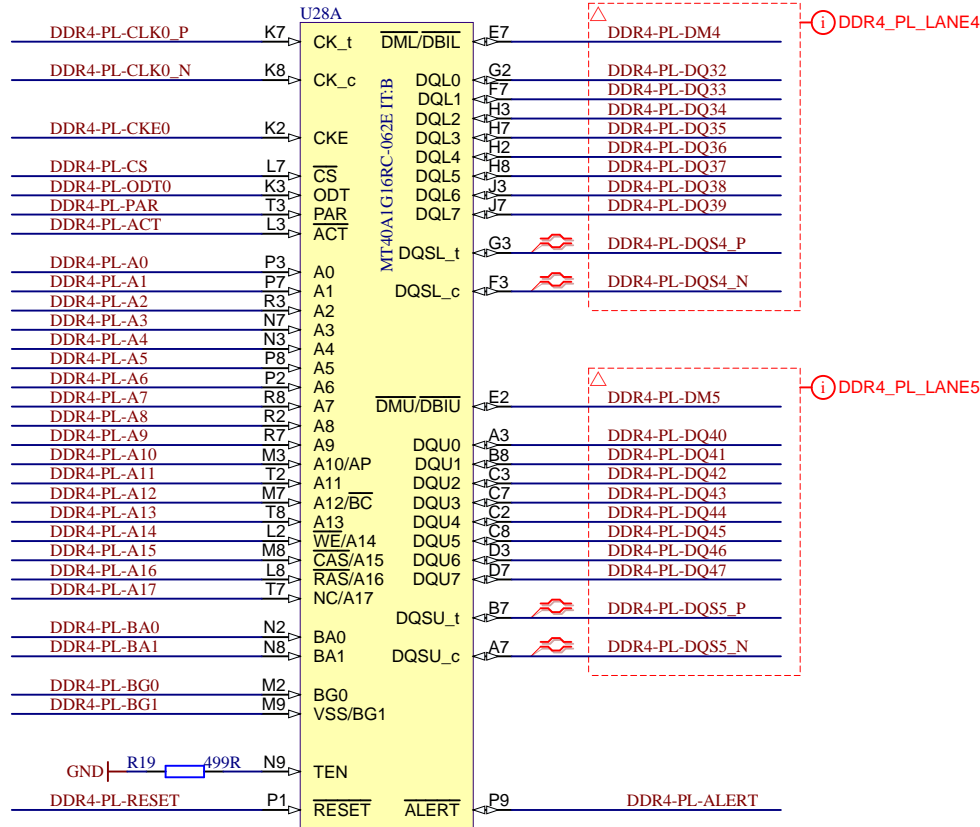


DDR4_PL_LANE2

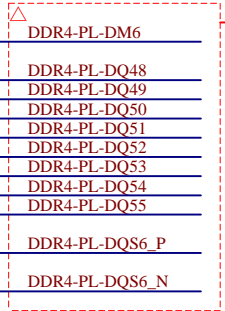
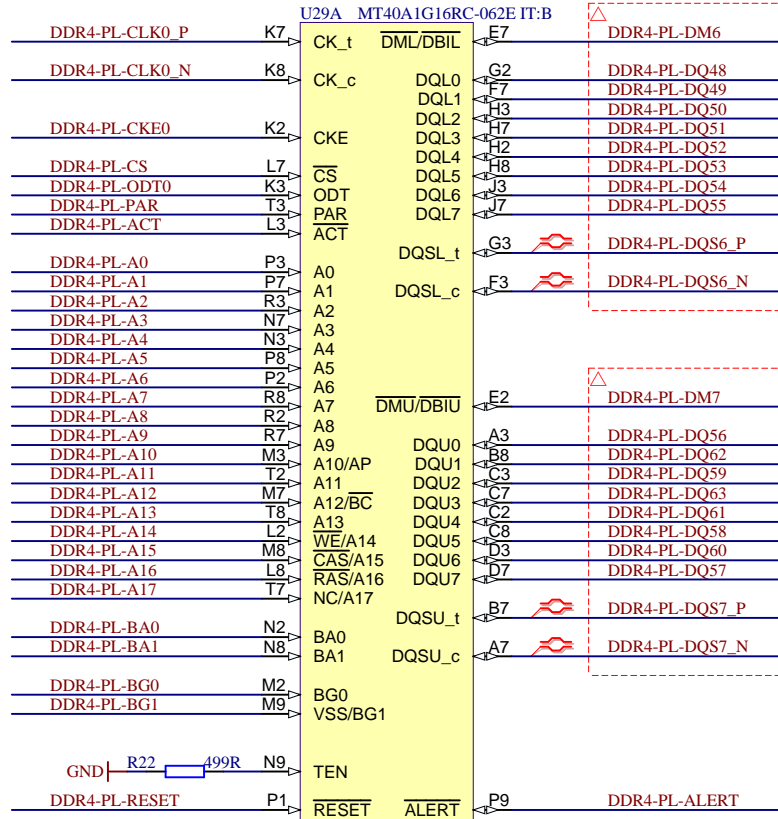
DDR4_PL_LANE3



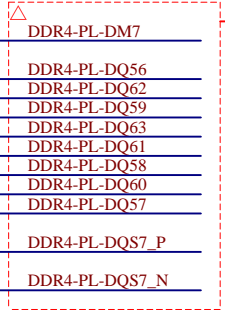
Title: TE0865 – DDR4-PL-RAM_2		
A4	Number: 26 ABI41FA	Rev. 01
Date: 23.04.2021	Copyright: Trenz Electronic GmbH	Page 26 of 51
Filename: DDR4-PL-RAM_2.SchDoc		



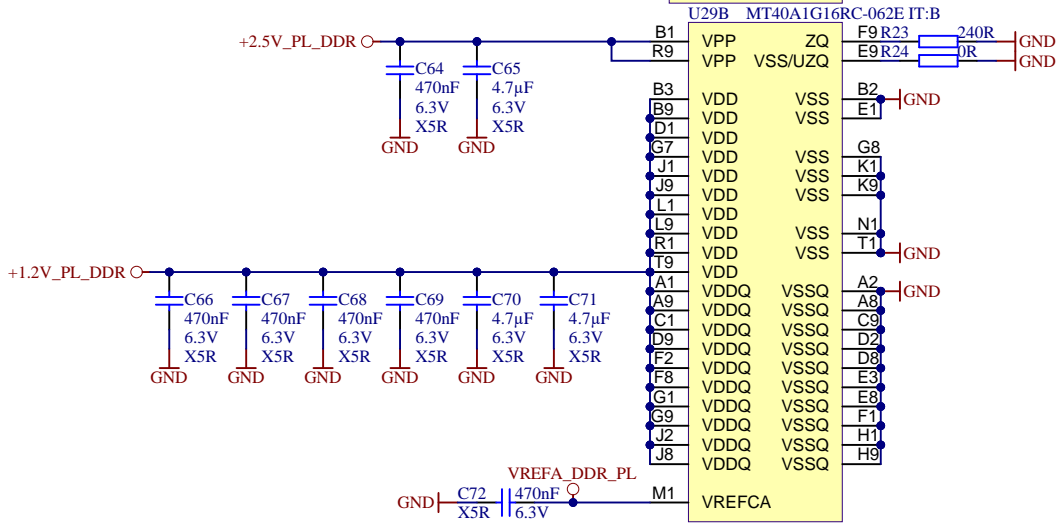
Title: TE0865 – DDR4-PL-RAM_3		
A4	Number: 27 ABI41FA	Rev. 01
Date: 23.04.2021	Copyright: Trenz Electronic GmbH	Page 27 of 51
Filename: DDR4-PL-RAM_3.SchDoc		



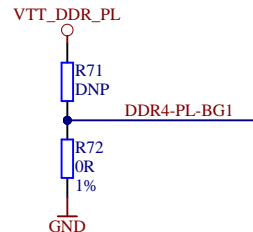
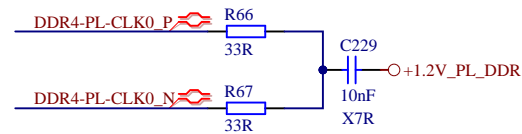
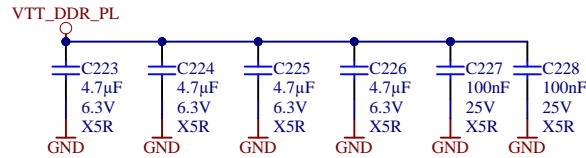
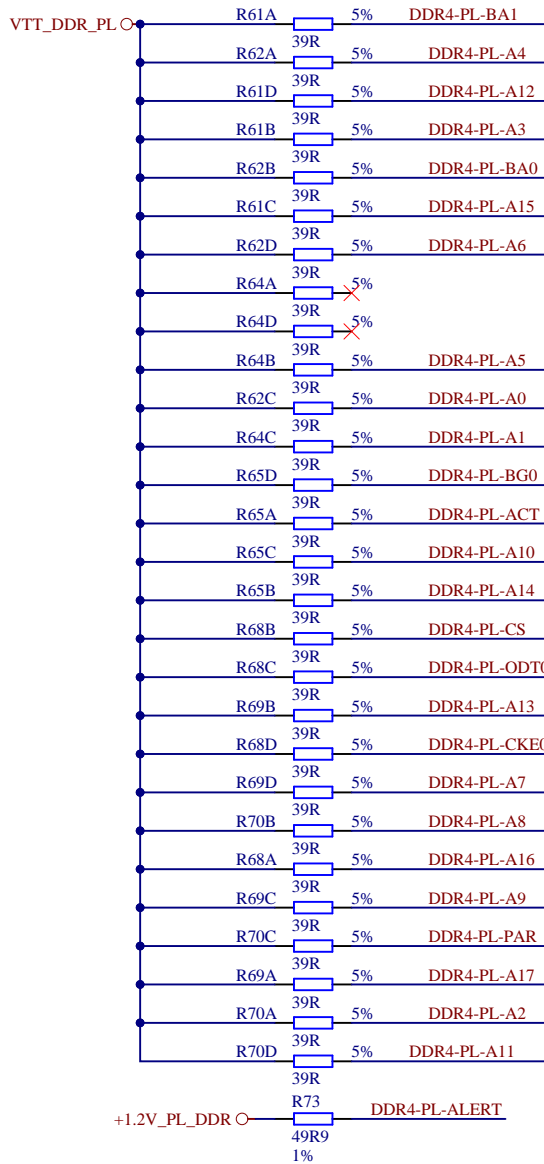
i DDR4_PL_LANE6



i DDR4_PL_LANE7

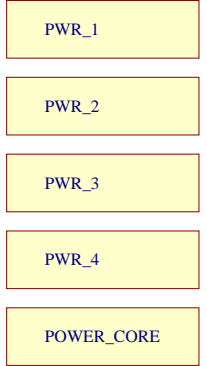
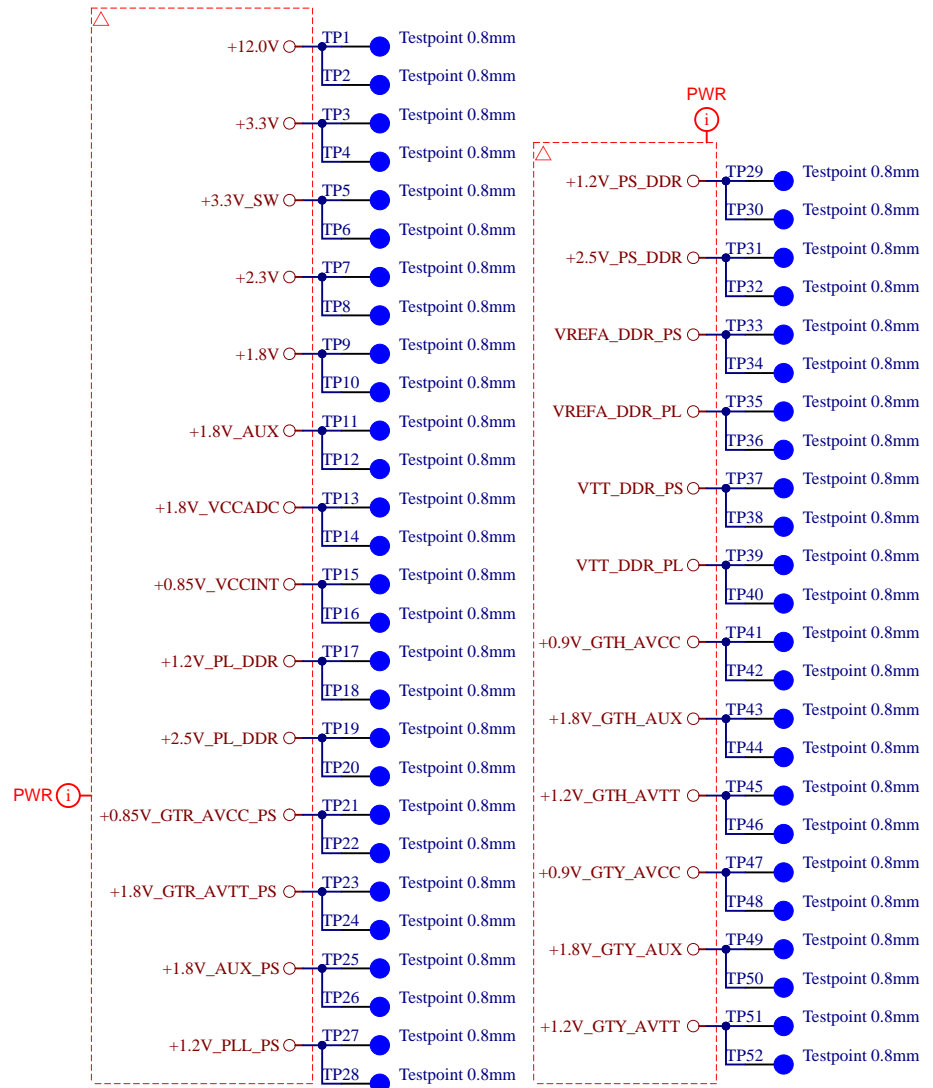
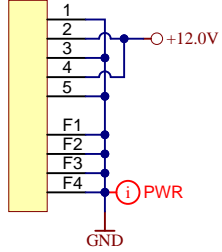


Title: TE0865 – DDR4-PL-RAM_4		
A4	Number: 28 ABI41FA	Rev. 01
Date: 23.04.2021	Copyright: Trenz Electronic GmbH	Page 28 of 51
Filename: DDR4-PL-RAM_4.SchDoc		



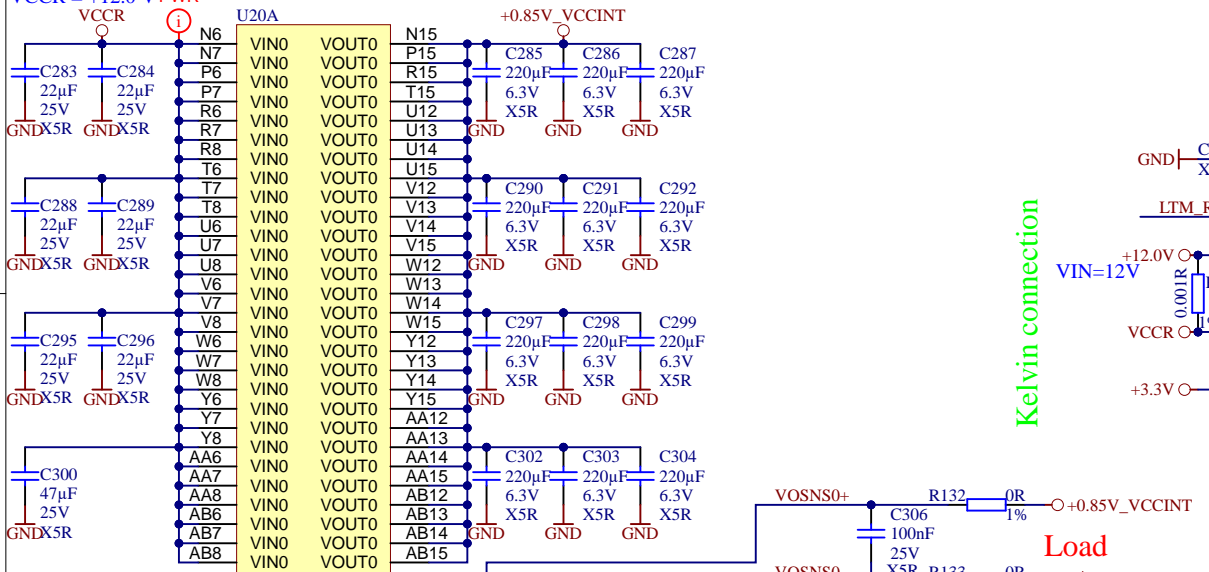
Title: TE0865 – DDR4-PL-TERM		
A4	Number: 29 ABI41FA	Rev. 01
Date: 23.04.2021	Copyright: Trenz Electronic GmbH	Page 29 of 51
Filename: DDR4-PL-TERM.SchDoc		

UMPT-05-01.5-G-VT-SM-WT-K
J5



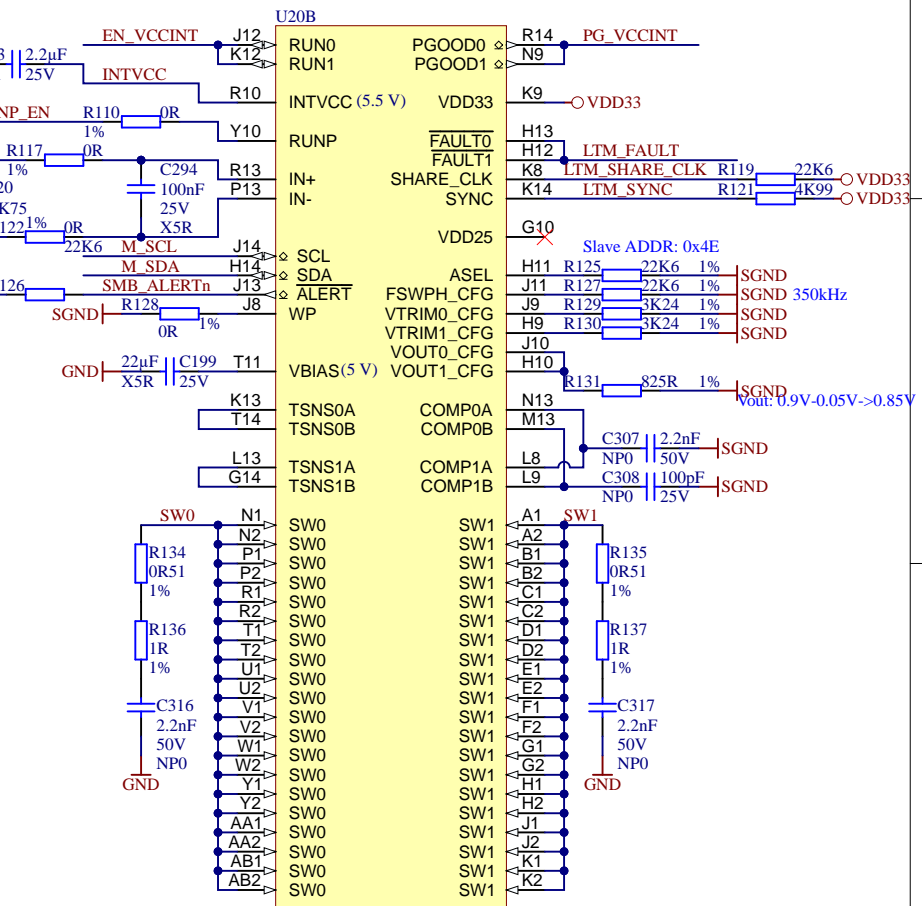
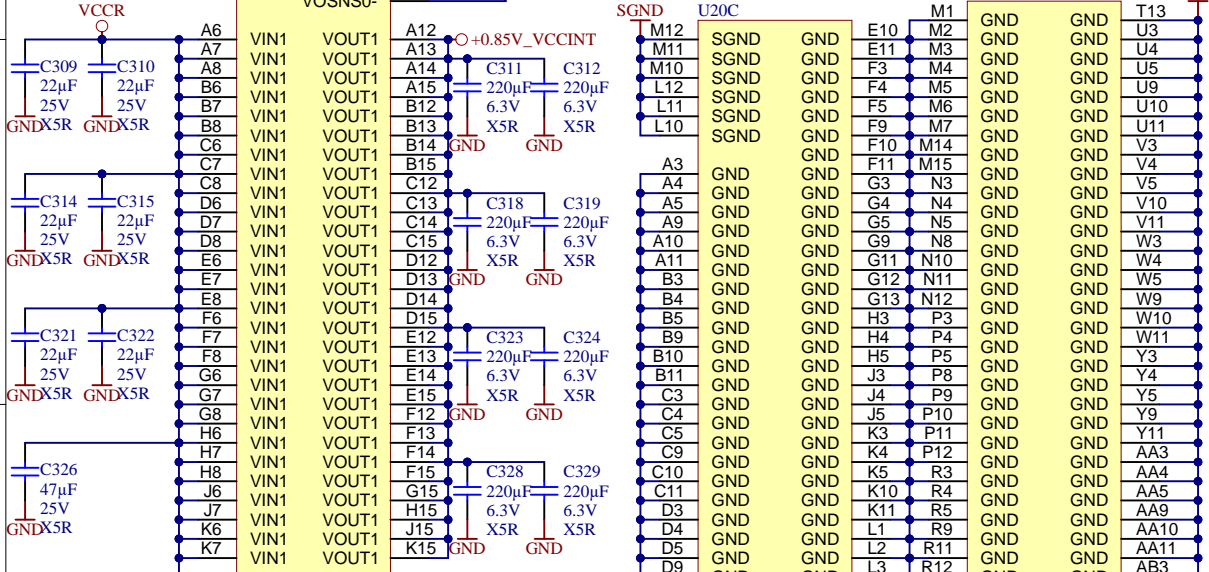
Title: TE0865 – POWER		
A4	Number: 30 ABI41FA	Rev. 01
Date: 23.04.2021	Copyright: Trenz Electronic GmbH	Page 30 of 51
Filename: POWER.SchDoc		

VCCR = +12.0 V PWR



Kelvin connection

VCCR = +12.0 V



Title: TE0865 - POWER_CORE		
A4	Number: 31 ABI41FA	Rev. 01
Date: 23.04.2021	Copyright: Trenz Electronic GmbH	Page 31 of 51
Filename: POWER_CORE.SchDoc		

1

2

3

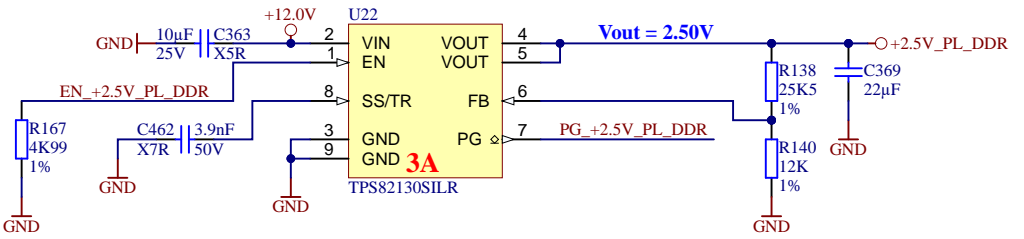
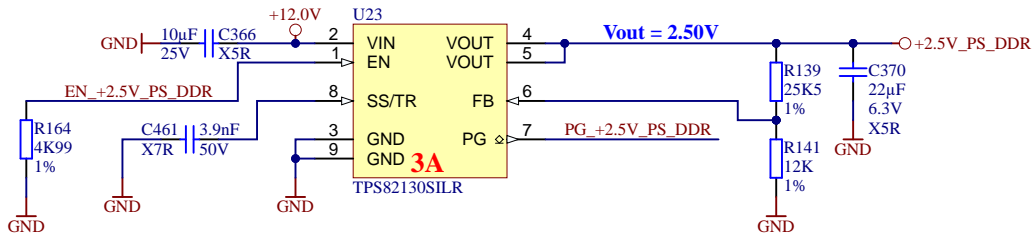
4

DDR PS

DDR PL

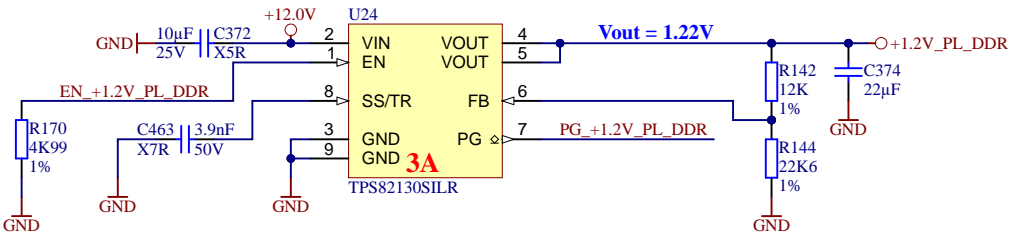
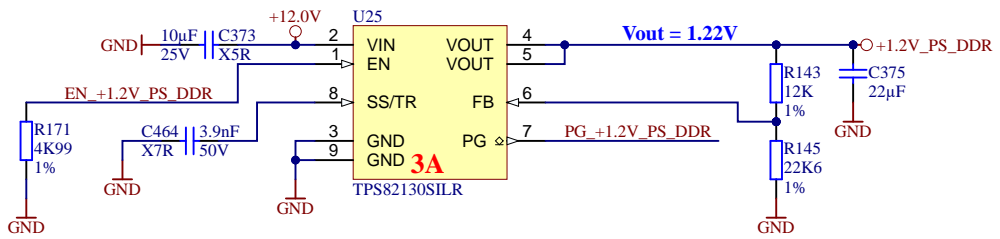
A

A



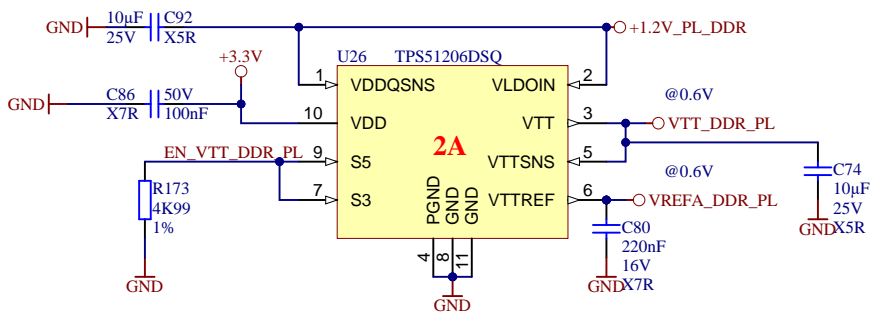
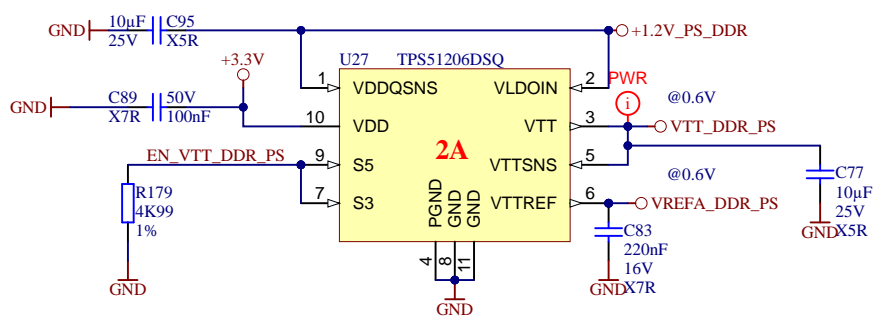
B

B




C

C



D

D

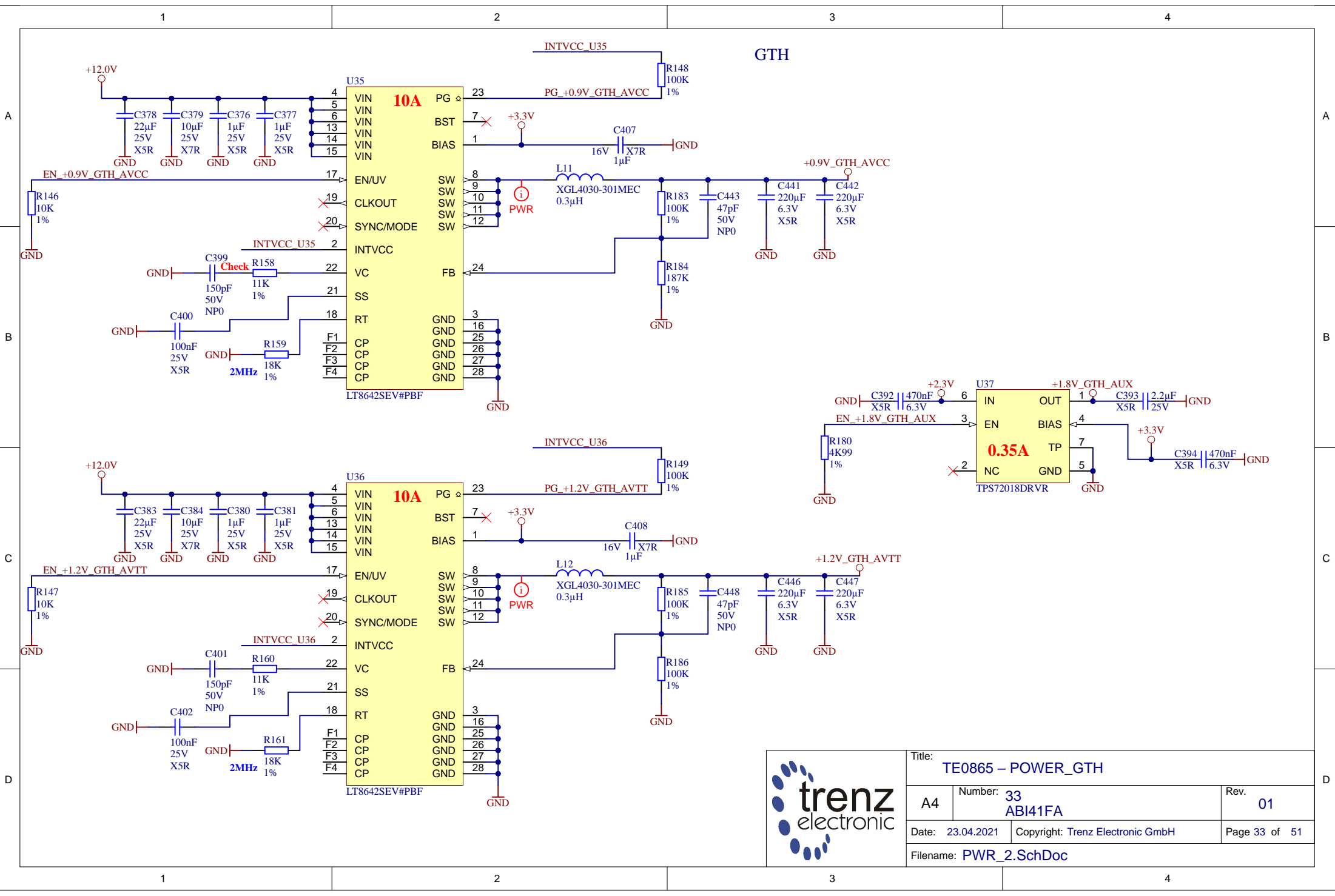
		Title: TE0865 – POWER_DDRs	
		A4	Number: 32 ABI41FA
Date: 23.04.2021		Copyright: Trenz Electronic GmbH	
Filename: PWR_1.SchDoc		Page 32 of 51	


1

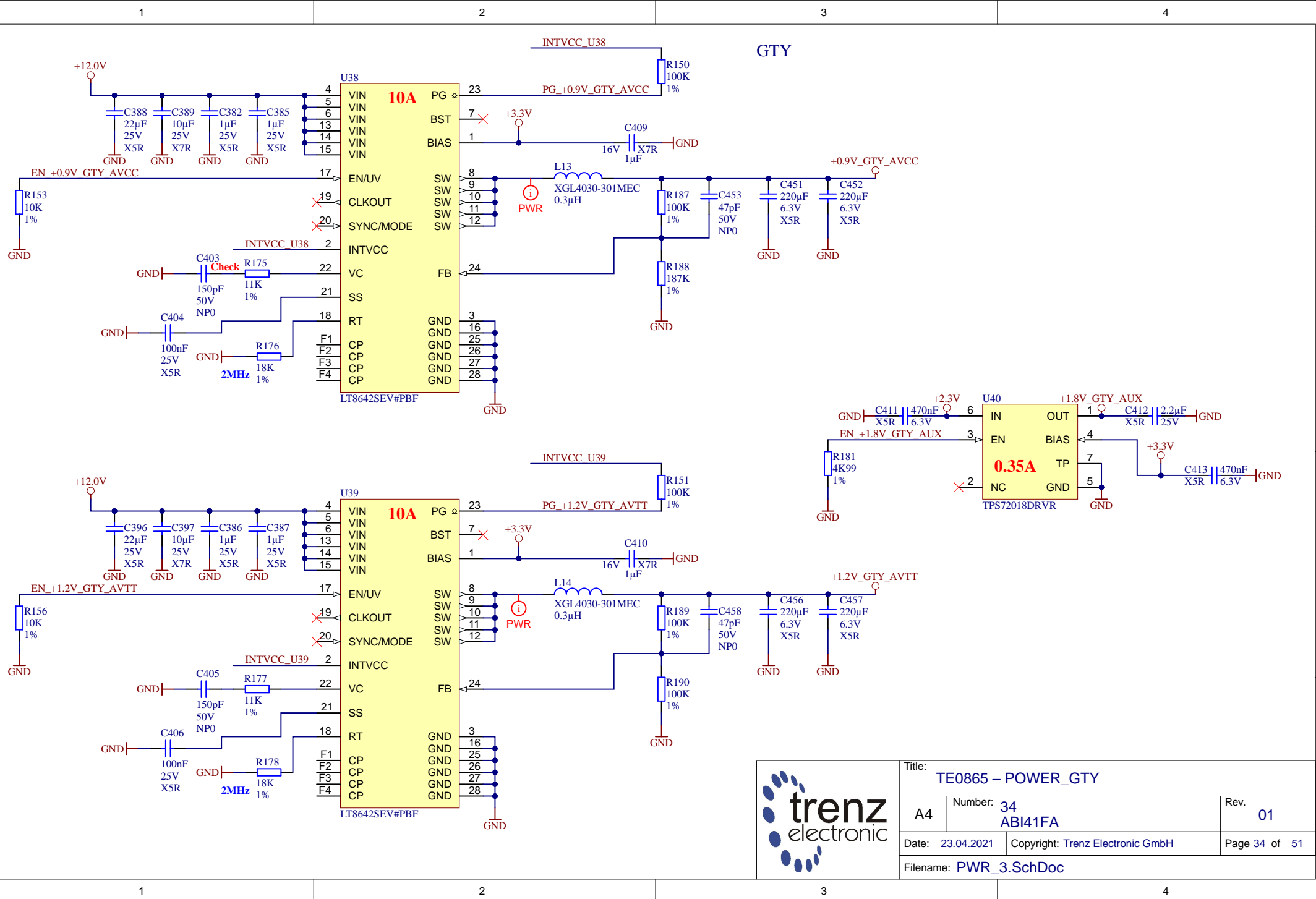
2

3

4



			Title: TE0865 – POWER_GTH	
			A4	Number: 33 ABI41FA
Date: 23.04.2021		Copyright: Trenz Electronic GmbH		Page 33 of 51
Filename: PWR_2.SchDoc				



trenz electronic

Title: TE0865 – POWER_GTY		
A4	Number: 34 ABI41FA	Rev. 01
Date: 23.04.2021	Copyright: Trenz Electronic GmbH	Page 34 of 51
Filename: PWR_3.SchDoc		

1

2

3

4

A

A

B

B

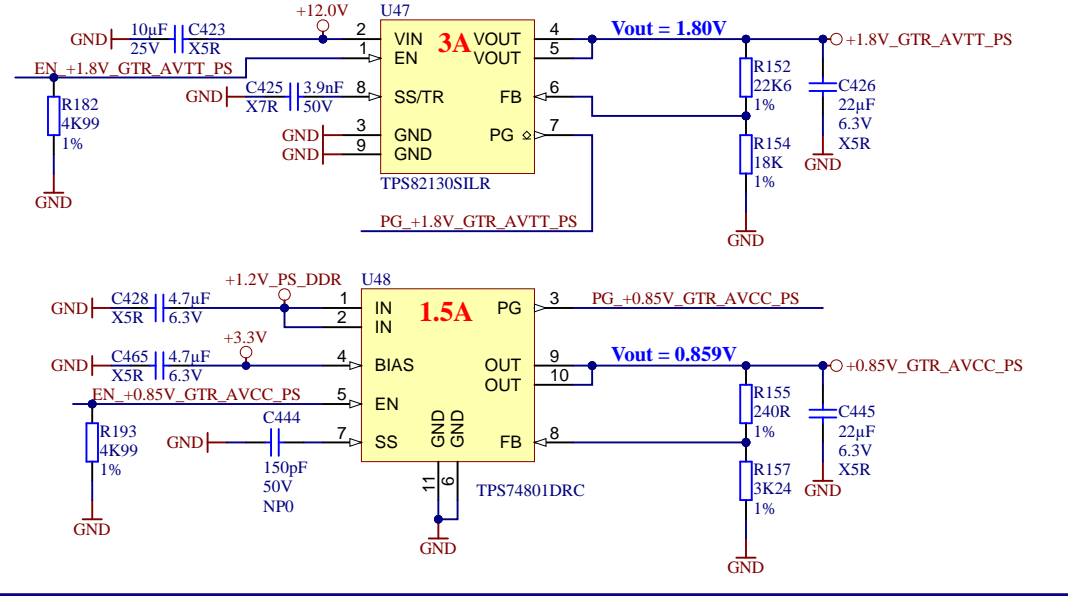
C

C

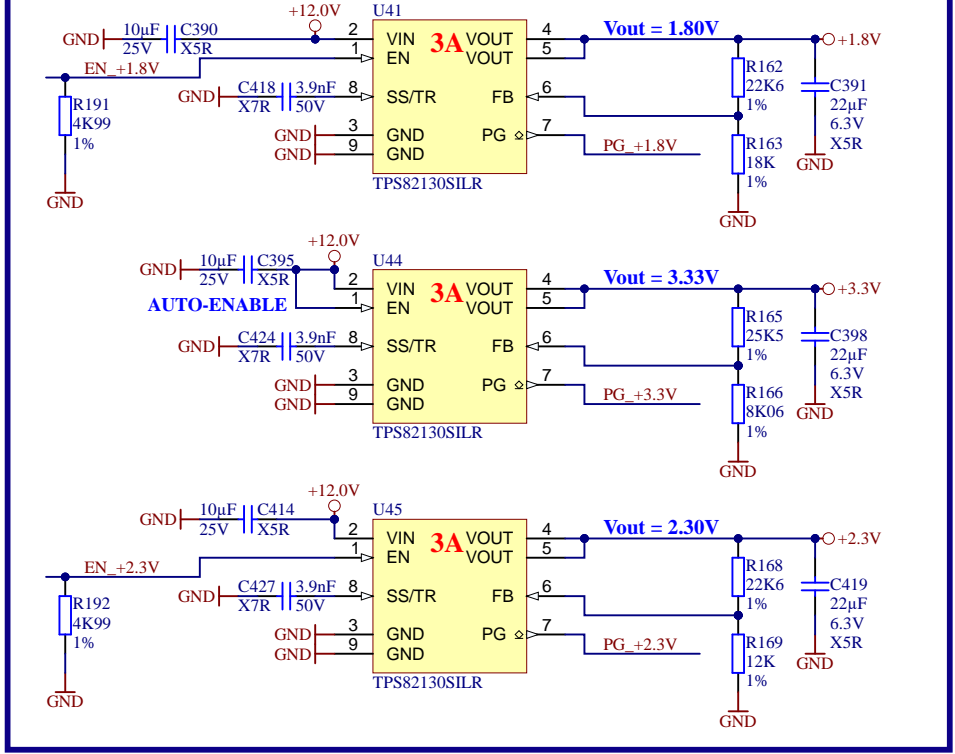
D

D

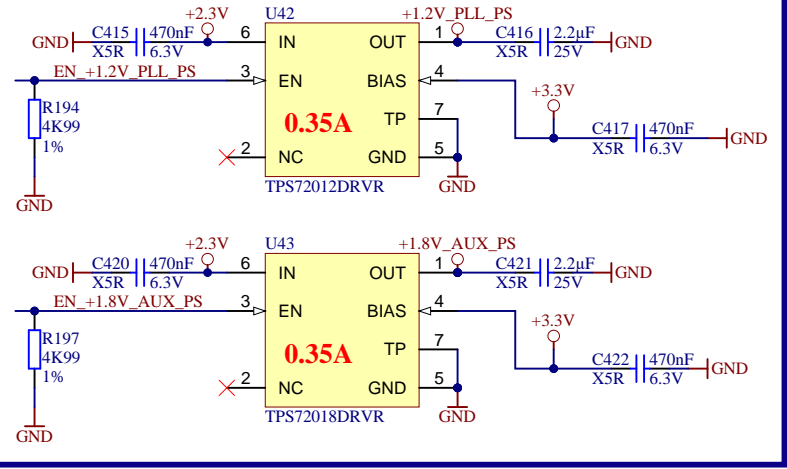
GTR PS



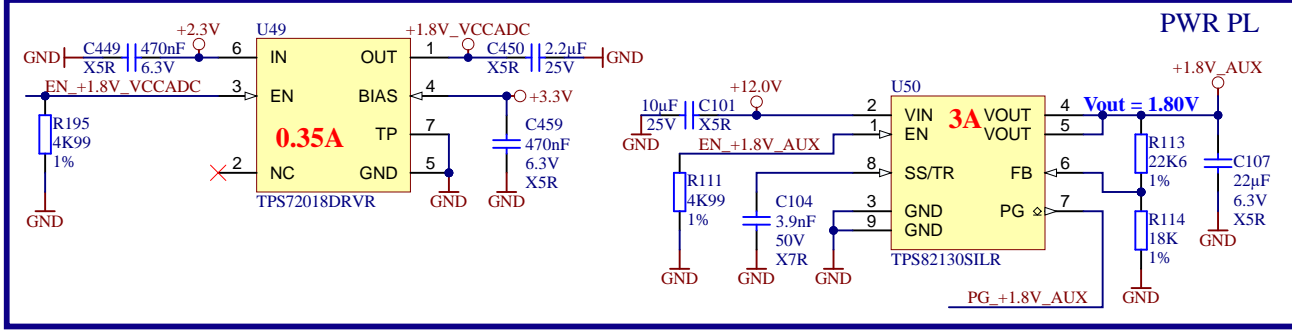
PWR RAILS



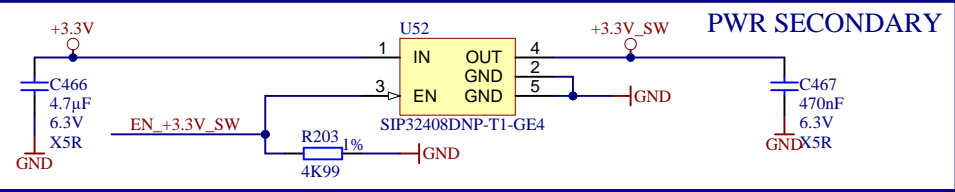
PWR PS



PWR PL



PWR SECONDARY



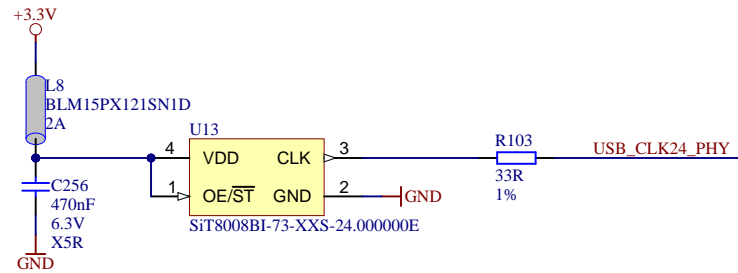
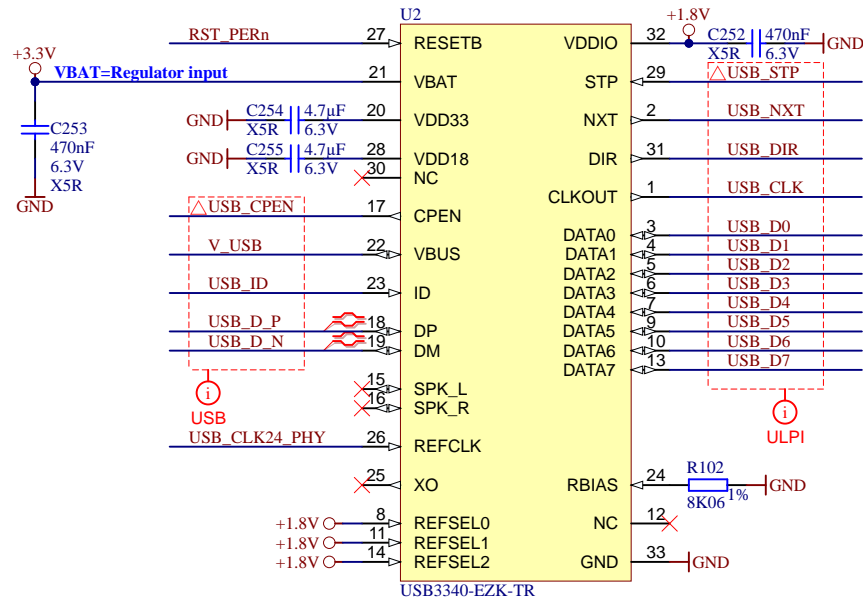
Title: TE0865 - POWER_RAILS_PS-PL		
A4	Number: 35 ABI41FA	Rev. 01
Date: 23.04.2021	Copyright: Trenz Electronic GmbH	Page 35 of 51
Filename: PWR_4.SchDoc		

1

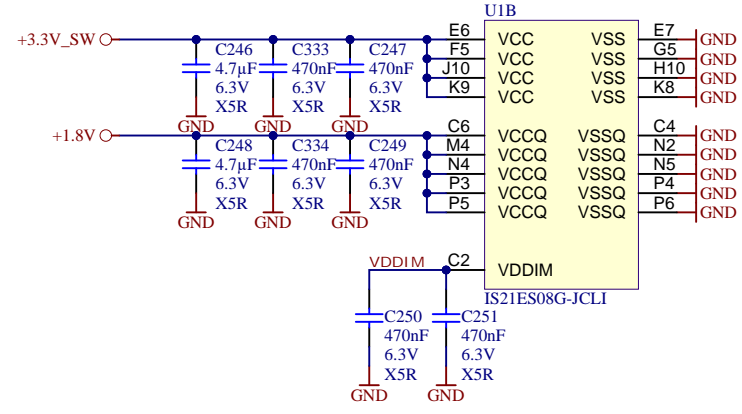
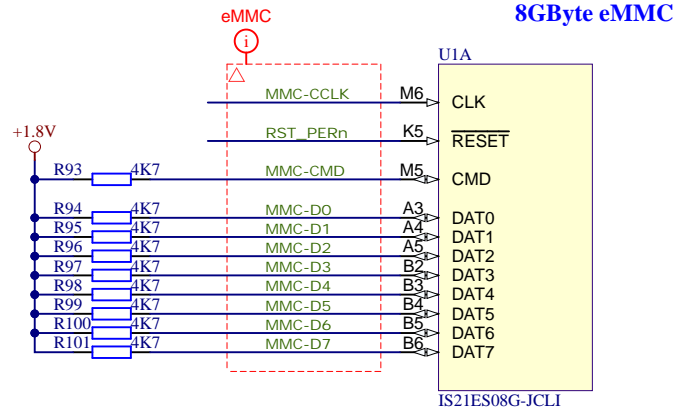
2

3

4



Title: TE0865 – USBPHY		
A4	Number: 36 ABI41FA	Rev. 01
Date: 23.04.2021	Copyright: Trenz Electronic GmbH	Page 36 of 51
Filename: USBPHY.SchDoc		



UID


A1	NC	NC	H2
A2	NC	NC	H3
A8	NC	NC	H12
A9	NC	NC	H13
A10	NC	NC	H14
A11	NC	NC	J1
A12	NC	NC	J2
A13	NC	NC	J3
A14	NC	NC	J12
A14	NC	NC	J13
B1	NC	NC	J14
B7	NC	NC	K1
B8	NC	NC	K2
B9	NC	NC	K3
B10	NC	NC	K12
B11	NC	NC	K13
B12	NC	NC	K14
B13	NC	NC	L1
C1	NC	NC	L2
C3	NC	NC	L3
C7	NC	NC	L12
C8	NC	NC	L13
C9	NC	NC	L14
C10	NC	NC	M1
C11	NC	NC	M2
C12	NC	NC	M3
C13	NC	NC	M7
C14	NC	NC	M8
D1	NC	NC	M9
D2	NC	NC	M10
D3	NC	NC	M11
D4	NC	NC	M12
D12	NC	NC	M13
D13	NC	NC	M14
D14	NC	NC	N1
E1	NC	NC	N3
E2	NC	NC	N6
E3	NC	NC	N7
E12	NC	NC	N8
E13	NC	NC	N9
E14	NC	NC	N10
F1	NC	NC	N11
F2	NC	NC	N12
F3	NC	NC	N13
F12	NC	NC	N14
F13	NC	NC	P1
F14	NC	NC	P2
G1	NC	NC	P8
G2	NC	NC	P9
G12	NC	NC	P11
G13	NC	NC	P12
G14	NC	NC	P13
H1	NC	NC	P14

IS21ES08G-JCLI

UIC

A6	RFU/VSS
A7	RFU
C5	RFU/NC
E5	RFU
E8	RFU
E9	RFU
J2	RFU
F10	RFU/NC
G3	RFU
G10	RFU/NC
H5	RFU/DS
J5	RFU/VSS
K6	RFU
K7	RFU
K10	RFU
P7	RFU/NC
P10	RFU

IS21ES08G-JCLI



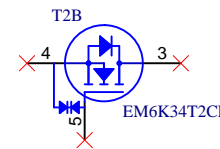
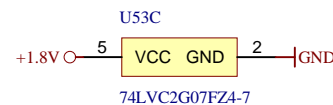
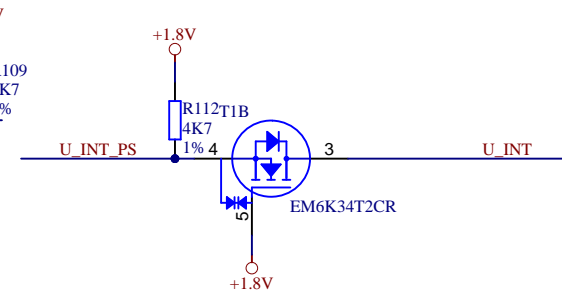
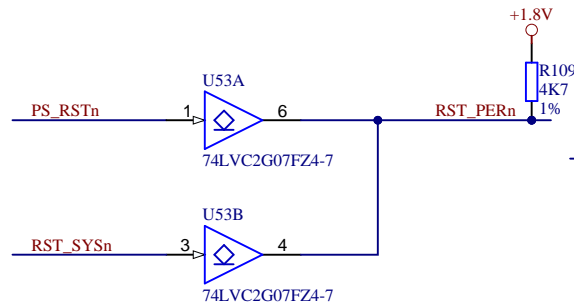
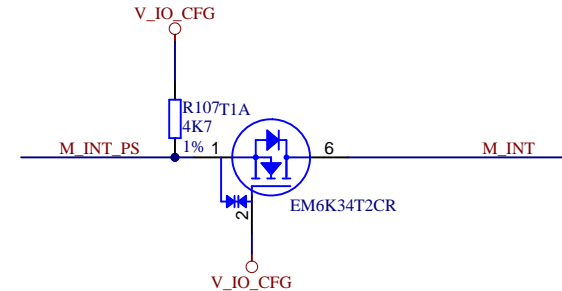
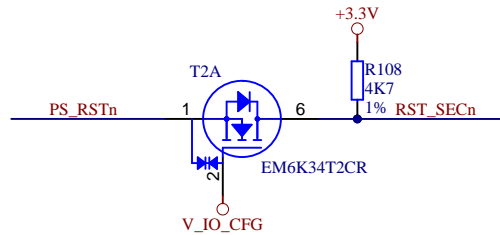
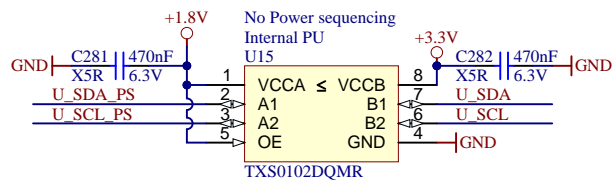
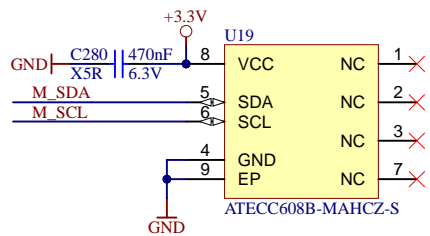
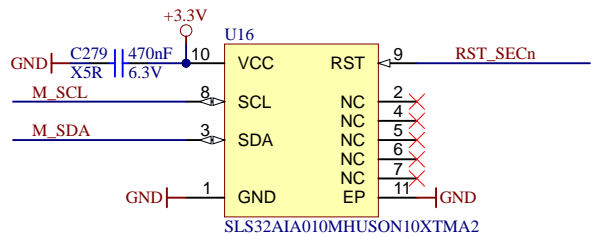
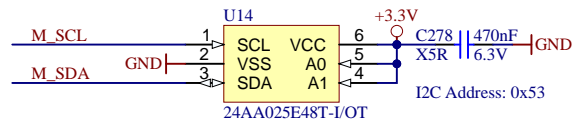
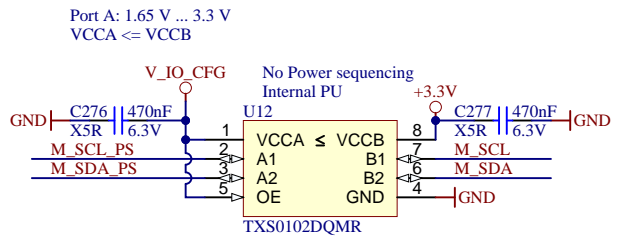
Title: TE0865 – eMMC		
A4	Number: 37 ABI41FA	Rev. 01
Date: 23.04.2021	Copyright: Trenz Electronic GmbH	Page 37 of 51
Filename: eMMC.SchDoc		

1

2

3

4



Title: TE0865 – MISC		
A4	Number: 39 ABI41FA	Rev. 01
Date: 23.04.2021	Copyright: Trenz Electronic GmbH	Page 39 of 51
Filename: MISC.SchDoc		

1

2

3

4

1

2

3

4

A

A

J1

J2

J3

J4

B


B

C

C

D

D

			Title: TE0865 – B2B_CONNECTORS		
			A4	Number: 40 ABI41FA	Rev. 01
Date: 23.04.2021		Copyright: Trenz Electronic GmbH		Page 40 of 51	
Filename: B2B_Connectors.SchDoc					

1

2

3

4

1

2

3

4

ADM6-60-01.5-L-4-2 J1A

ADM6-60-01.5-L-4-2 J1B

GND	A1	B1	B67 L8 P
B67 L10_P	A2	B2	B67 L8 N
B67 L10_N	A3	B3	B67 L19 P
B67 L9_P	A4	B4	B67 L19_N
B67 L9_N	A5	B5	
GND	A6	B6	B67 L3 P
B67 L6_N	A7	B7	B67 L3 N
B67 L6_P	A8	B8	B67 L2 N
B67 L5_P	A9	B9	B67 L2_P
B67 L5_N	A10	B10	
GND	A11	B11	B67 L4 N
B67 L1_P	A12	B12	B67 L4_P
B67 L1_N	A13	B13	B67 L21_P
B67 L7_P	A14	B14	B67 L21_N
B67 L7_N	A15	B15	
GND	A16	B16	B66 L9 P
B66 L8_P	A17	B17	B66 L9 N
B66 L8_N	A18	B18	B66 L24 P
B66 L7_P	A19	B19	B66 L24_N
B66 L7_N	A20	B20	
GND	A21	B21	B66 L10 P
B66 L6_P	A22	B22	B66 L10 N
B66 L6_N	A23	B23	B66 L18 P
B66 L12_P	A24	B24	B66 L18_N
B66 L12_N	A25	B25	
GND	A26	B26	B66 L5 N
B66 L4_P	A27	B27	B66 L5_P
B66 L4_N	A28	B28	B66 L16 P
B66 L2_P	A29	B29	B66 L16_N
B66 L2_N	A30	B30	
GND	A31	B31	B64 L6 P
B64 L18_P	A32	B32	B64 L6 N
B64 L18_N	A33	B33	B64 L12 P
B64 L17_P	A34	B34	B64 L12_N
B64 L17_N	A35	B35	
GND	A36	B36	B64 L4 P
B64 L16_P	A37	B37	B64 L4 N
B64 L16_N	A38	B38	B64 L15 P
B64 L11_P	A39	B39	B64 L15_N
B64 L11_N	A40	B40	
GND	A41	B41	B64 L13 N
B64 L8_N	A42	B42	B64 L13_P
B64 L8_P	A43	B43	B64 L1 N
B64 L7_P	A44	B44	B64 L1_P
B64 L7_N	A45	B45	
GND	A46	B46	B65 L3 N
B65 L4_N	A47	B47	B65 L3_P
B65 L4_P	A48	B48	B65 L2_P
B65 L1_N	A49	B49	B65 L2_N
B65 L1_P	A50	B50	
GND	A51	B51	B65 L6_P
B65 L5_P	A52	B52	B65 L6_N
B65 L5_N	A53	B53	B65 L15_N
B65 L7_N	A54	B54	B65 L15_P
B65 L7_P	A55	B55	
GND	A56	B56	B65 L8 N
B65 L9_N	A57	B57	B65 L8_P
B65 L9_P	A58	B58	B65 L10_N
B65 L11_P	A59	B59	B65 L10_P
B65 L11_N	A60	B60	

GND	C1	D1	B67 L24 P
B67 L17_P	C2	D2	B67 L24_N
B67 L17_N	C3	D3	B67 L20 P
B67 L18_P	C4	D4	B67 L20_N
B67 L18_N	C5	D5	
GND	C6	D6	B67 L16 P
B67 L23_P	C7	D7	B67 L16_N
B67 L23_N	C8	D8	B67 L14 P
B67 L13_N	C9	D9	B67 L14_N
B67 L13_P	C10	D10	
B67 VRP	C11	D11	B67 L12 N
B67 L22_P	C12	D12	B67 L12_P
B67 L22_N	C13	D13	B67 L11 N
B67 L15_N	C14	D14	B67 L11_P
B67 L15_P	C15	D15	
GND	C16	D16	B66 L23 P
B66 L20_P	C17	D17	B66 L23_N
B66 L20_N	C18	D18	B66 L22 P
B66 L14_P	C19	D19	B66 L22_N
B66 L14_N	C20	D20	
B66 VRP	C21	D21	B66 L11 N
B66 L21_N	C22	D22	B66 L11_P
B66 L21_P	C23	D23	B66 L17 P
B66 L13_N	C24	D24	B66 L17_N
B66 L13_P	C25	D25	
GND	C26	D26	B66 L3 N
B66 L15_P	C27	D27	B66 L3_P
B66 L15_N	C28	D28	B66 L1 N
B66 L19_P	C29	D29	B66 L1_P
B66 L19_N	C30	D30	
GND	C31	D31	B64 L10 N
B64 L14_P	C32	D32	B64 L10_P
B64 L14_N	C33	D33	B64 L19 N
B64 L5_N	C34	D34	B64 L19_P
B64 L5_P	C35	D35	
B64 VRP	C36	D36	B64 L22 N
B64 L9_N	C37	D37	B64 L22_P
B64 L9_P	C38	D38	B64 L20 N
B64 L23_N	C39	D39	B64 L20_P
B64 L23_P	C40	D40	
GND	C41	D41	B64 L21 N
B64 L3_N	C42	D42	B64 L21_P
B64 L3_P	C43	D43	B64 L24 N
B64 L2_N	C44	D44	B64 L24_P
B64 L2_P	C45	D45	
GND	C46	D46	B65 L19 N
B65 L23_N	C47	D47	B65 L19_P
B65 L23_P	C48	D48	B65 L20 P
B65 L21_N	C49	D49	B65 L20_N
B65 L21_P	C50	D50	
B65 VRP	C51	D51	B65 L14 P
B65 L12_P	C52	D52	B65 L14_N
B65 L12_N	C53	D53	B65 L22 N
B65 L24_N	C54	D54	B65 L22_P
B65 L24_P	C55	D55	PERSTO
GND	C56	D56	B65 L13 P
B65 L17_P	C57	D57	B65 L13_N
B65 L17_N	C58	D58	B65 L16 N
B65 L18_N	C59	D59	B65 L16_P
B65 L18_P	C60	D60	

1

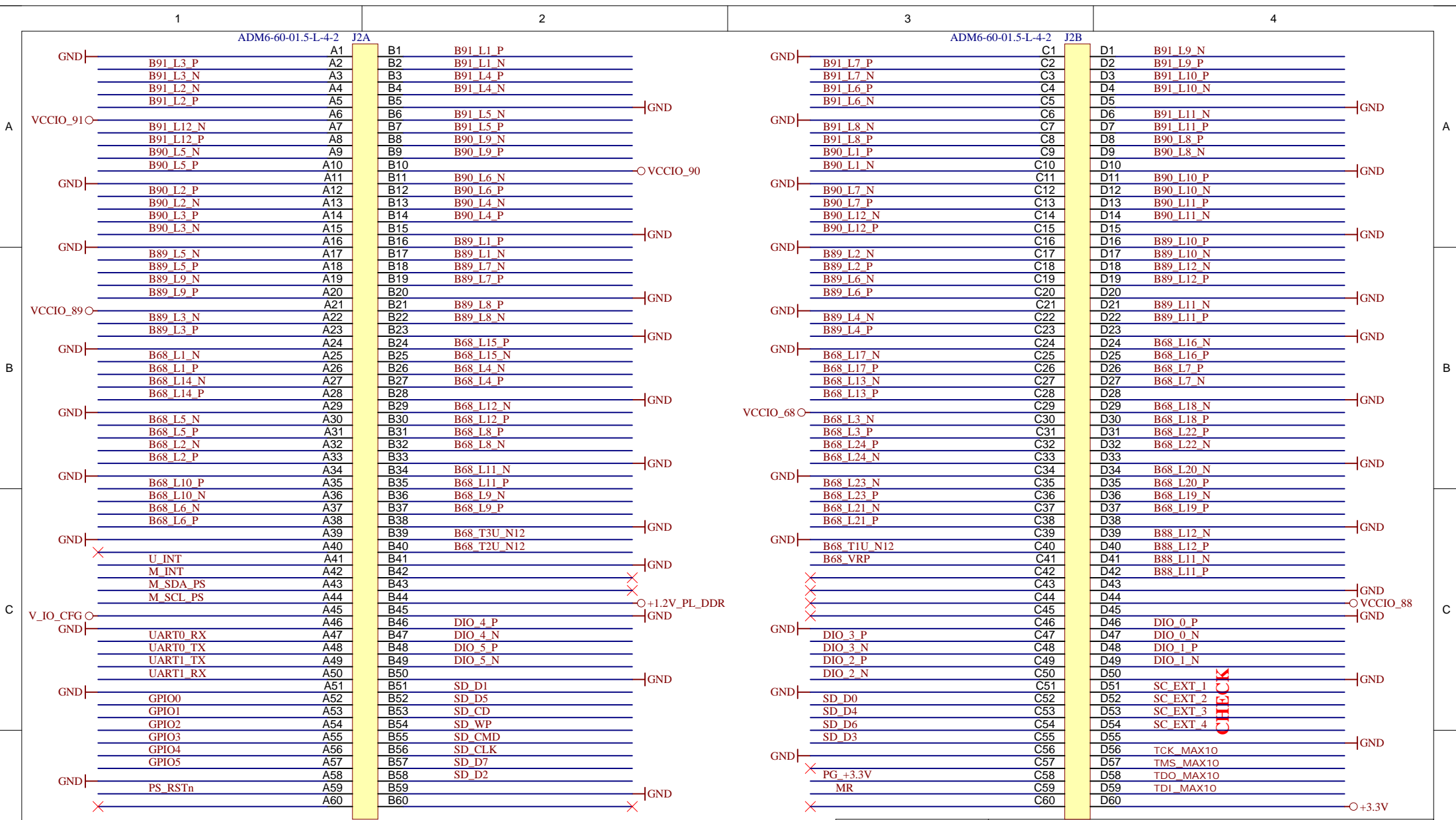
2


3

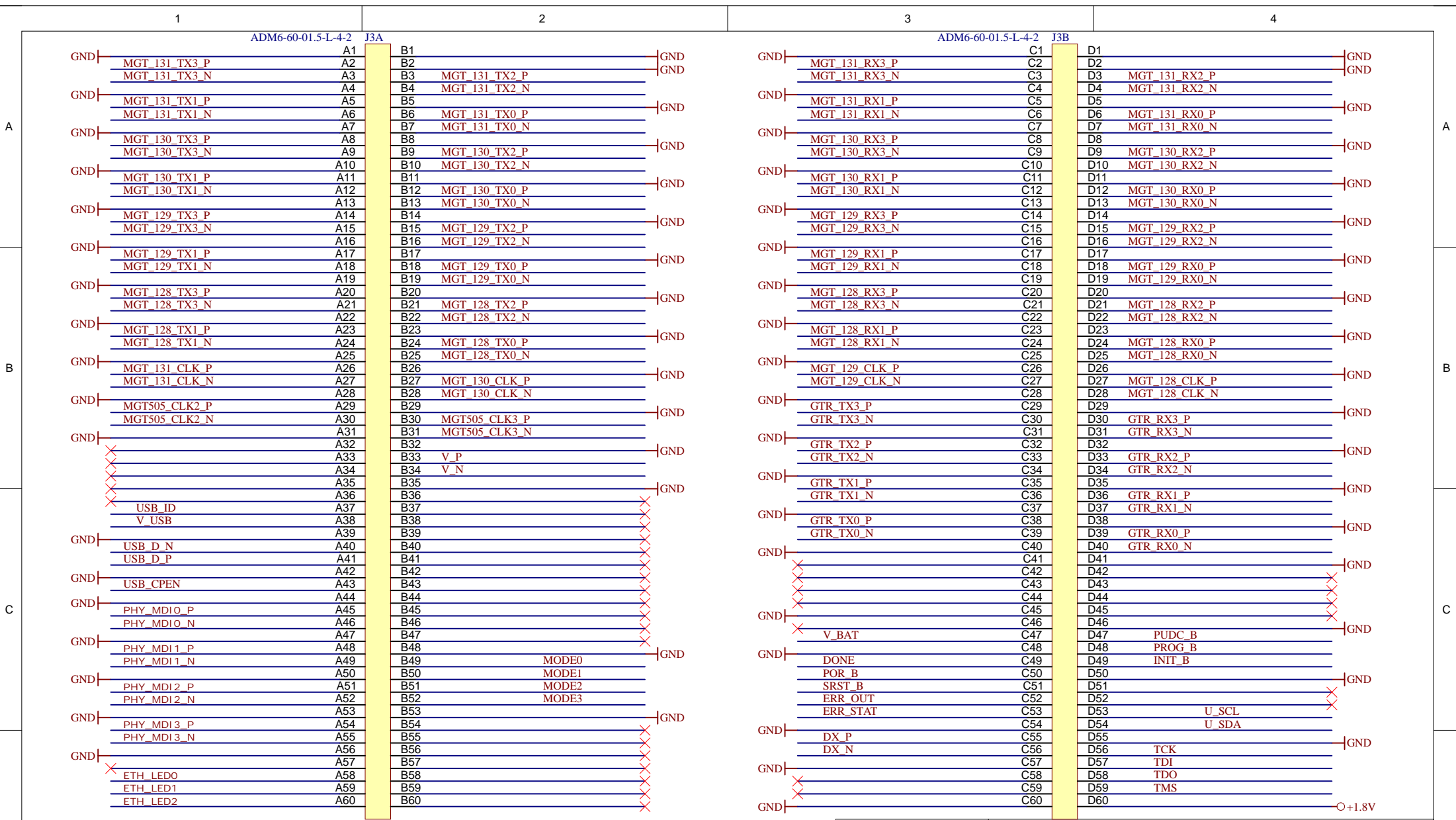
4



Title: TE0865 – J1_CONNECTOR		
A4	Number: 41 ABI41FA	Rev. 01
Date: 23.04.2021	Copyright: Trenz Electronic GmbH	Page 41 of 51
Filename: J1.schdoc		



		Title: TE0865 – J2_CONNECTOR	
		A4	Number: 42 ABI41FA
Date: 23.04.2021		Copyright: Trenz Electronic GmbH	
Filename: J2.schdoc		Page 42 of 51	



Title: TE0865 – J3_CONNECTOR		
A4	Number: 43 ABI41FA	Rev. 01
Date: 23.04.2021	Copyright: Trenz Electronic GmbH	Page 43 of 51
Filename: J3.schdoc		

D

D

1

2

3

4

ADM6-60-01.5-L-4-2 J4A

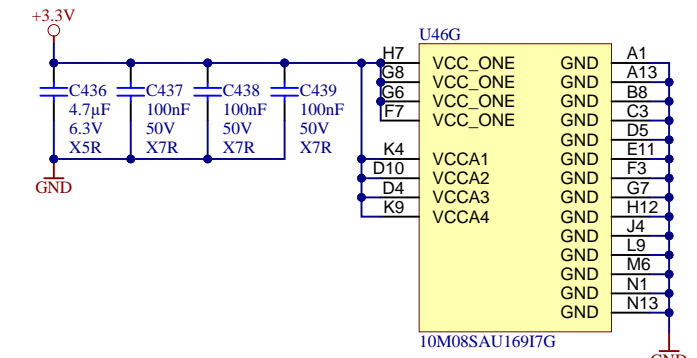
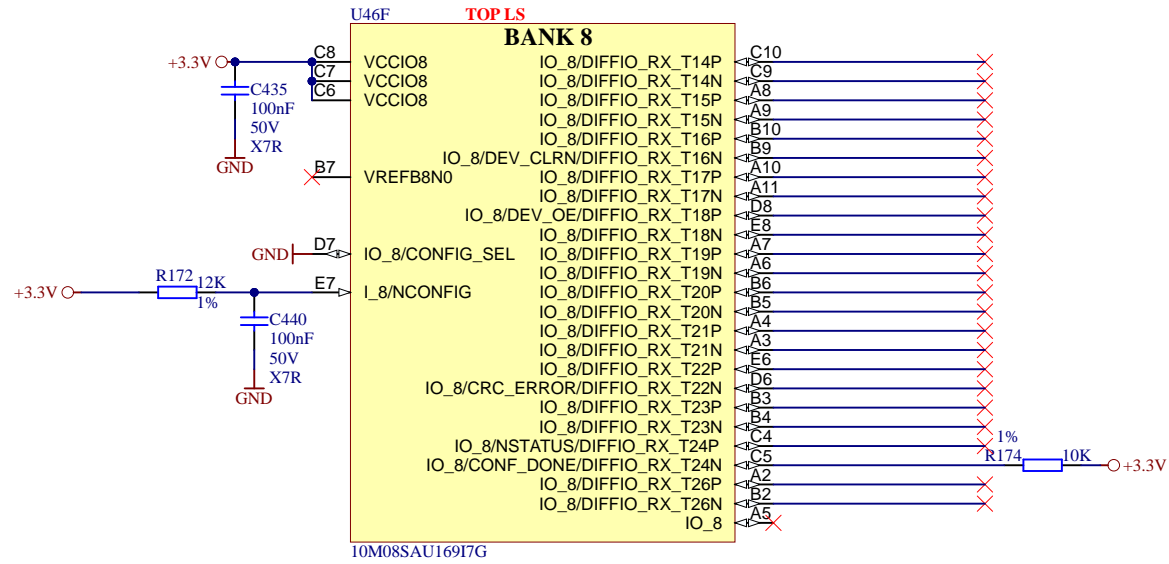
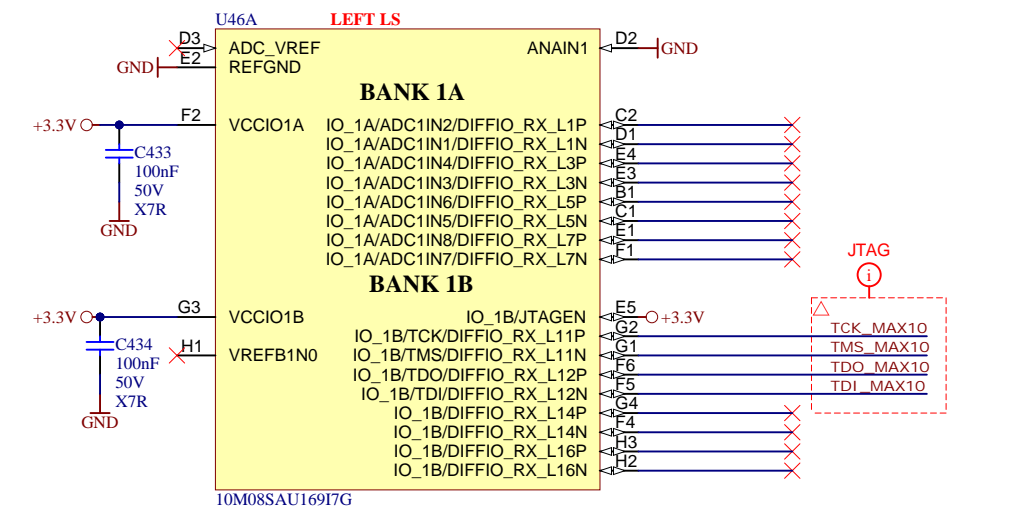
ADM6-60-01.5-L-4-2 J4B

B88_L6_N	A1	B1	
B88_L6_P	A2	B2 B88_L1_N	GND
B88_L5_N	A3	B3 B88_L1_P	
B88_L5_P	A4	B4 B88_L3_P	
B88_L2_N	A5	B5 B88_L3_N	
B88_L2_P	A6	B6	GND
GND	A7	B7 MGT_230_CLK0_P	
MGT_231_CLK0_P	A8	B8 MGT_230_CLK0_N	
MGT_231_CLK0_N	A9	B9	GND
GND	A10	B10 MGT_231_RX2_P	
MGT_231_RX3_P	A11	B11 MGT_231_RX2_N	
MGT_231_RX3_N	A12	B12	GND
GND	A13	B13 MGT_231_RX0_P	
MGT_231_RX1_P	A14	B14 MGT_231_RX0_N	
MGT_231_RX1_N	A15	B15	GND
GND	A16	B16 MGT_230_RX2_P	
MGT_230_RX3_P	A17	B17 MGT_230_RX2_N	
MGT_230_RX3_N	A18	B18	GND
GND	A19	B19 MGT_230_RX0_P	
MGT_230_RX1_P	A20	B20 MGT_230_RX0_N	
MGT_230_RX1_N	A21	B21	GND
GND	A22	B22 MGT_229_RX2_P	
MGT_229_RX3_P	A23	B23 MGT_229_RX2_N	
MGT_229_RX3_N	A24	B24	GND
GND	A25	B25 MGT_229_RX0_P	
MGT_229_RX1_P	A26	B26 MGT_229_RX0_N	
MGT_229_RX1_N	A27	B27	GND
GND	A28	B28 MGT_228_RX2_P	
MGT_228_RX3_P	A29	B29 MGT_228_RX2_N	
MGT_228_RX3_N	A30	B30	GND
GND	A31	B31 MGT_228_RX0_P	
MGT_228_RX1_P	A32	B32 MGT_228_RX0_N	
MGT_228_RX1_N	A33	B33	GND
GND	A34	B34 MGT_227_RX2_P	
MGT_227_RX3_P	A35	B35 MGT_227_RX2_N	
MGT_227_RX3_N	A36	B36	GND
GND	A37	B37 MGT_227_RX0_P	
MGT_227_RX1_P	A38	B38 MGT_227_RX0_N	
MGT_227_RX1_N	A39	B39	GND
GND	A40	B40 MGT_226_RX2_P	
MGT_226_RX3_P	A41	B41 MGT_226_RX2_N	
MGT_226_RX3_N	A42	B42	GND
GND	A43	B43 MGT_226_RX0_P	
MGT_226_RX1_P	A44	B44 MGT_226_RX0_N	
MGT_226_RX1_N	A45	B45	GND
GND	A46	B46 MGT_225_RX2_P	
MGT_225_RX3_P	A47	B47 MGT_225_RX2_N	
MGT_225_RX3_N	A48	B48	GND
GND	A49	B49 MGT_225_RX0_P	
MGT_225_RX1_P	A50	B50 MGT_225_RX0_N	
MGT_225_RX1_N	A51	B51	GND
GND	A52	B52 MGT_224_RX2_P	
MGT_224_RX3_P	A53	B53 MGT_224_RX2_N	
MGT_224_RX3_N	A54	B54	GND
GND	A55	B55 MGT_224_RX0_P	
MGT_224_RX1_P	A56	B56 MGT_224_RX0_N	
MGT_224_RX1_N	A57	B57	GND
GND	A58	B58 MGT_225_CLK_P	
MGT_224_CLK_P	A59	B59 MGT_225_CLK_N	
MGT_224_CLK_N	A60	B60	GND

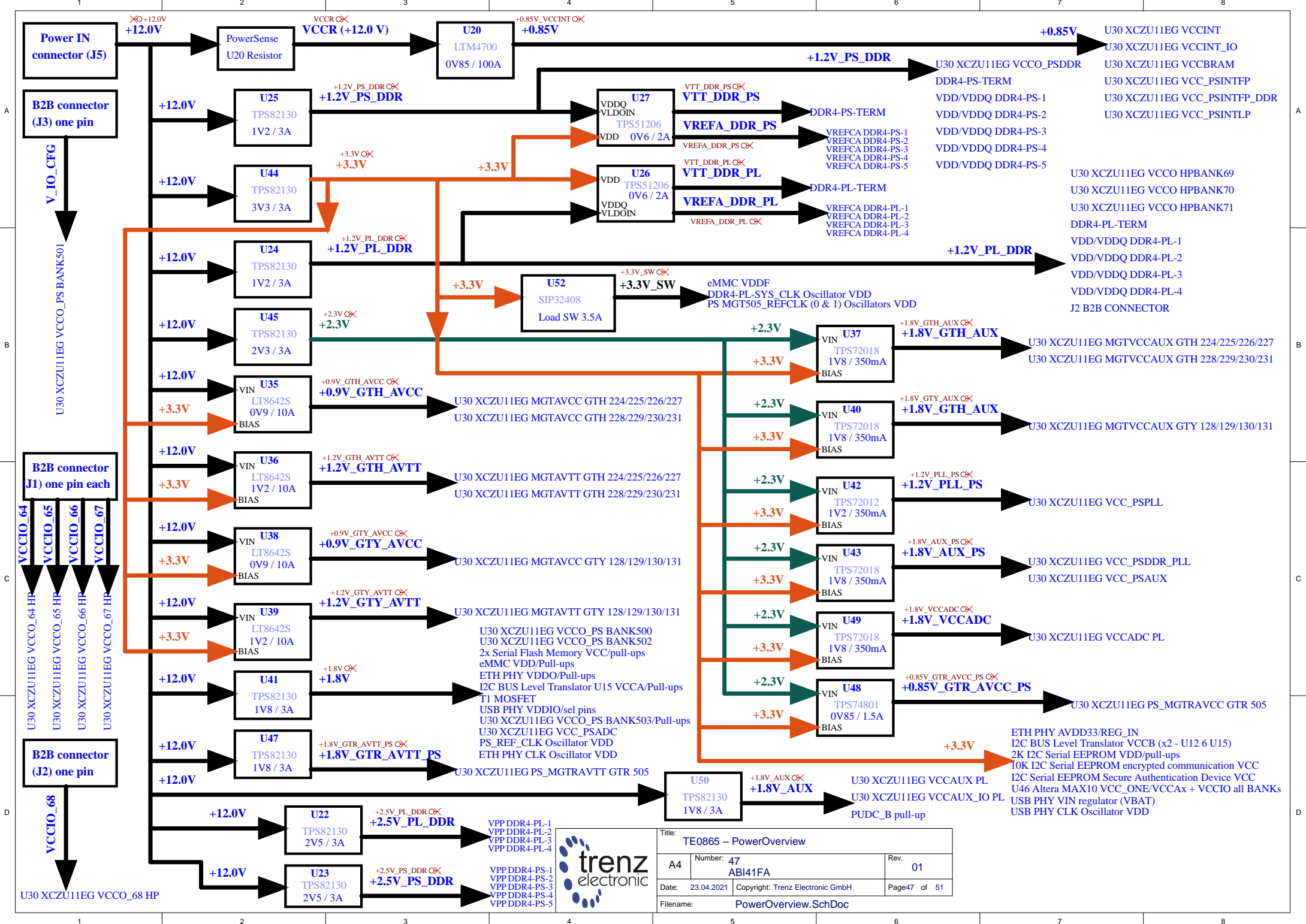
B88_L7_N	C1	D1	
B88_L7_P	C2	D2 B88_L10_P	GND
B88_L9_N	C3	D3 B88_L10_N	
B88_L9_P	C4	D4 B88_L4_N	
B88_L8_P	C5	D5 B88_L4_P	
B88_L8_N	C6	D6	GND
GND	C7	D7 MGT_228_CLK0_P	
MGT_229_CLK0_P	C8	D8 MGT_228_CLK0_N	
MGT_229_CLK0_N	C9	D9	GND
GND	C10	D10 MGT_231_TX3_P	
MGT_231_TX2_P	C11	D11 MGT_231_TX3_N	
MGT_231_TX2_N	C12	D12	GND
GND	C13	D13 MGT_231_TX1_P	
MGT_231_TX0_P	C14	D14 MGT_231_TX1_N	
MGT_231_TX0_N	C15	D15	GND
GND	C16	D16 MGT_230_TX3_P	
MGT_230_TX2_P	C17	D17 MGT_230_TX3_N	
MGT_230_TX2_N	C18	D18	GND
GND	C19	D19 MGT_230_TX1_P	
MGT_230_TX0_P	C20	D20 MGT_230_TX1_N	
MGT_230_TX0_N	C21	D21	GND
GND	C22	D22 MGT_229_TX3_P	
MGT_229_TX2_P	C23	D23 MGT_229_TX3_N	
MGT_229_TX2_N	C24	D24	GND
GND	C25	D25 MGT_229_TX1_P	
MGT_229_TX0_P	C26	D26 MGT_229_TX1_N	
MGT_229_TX0_N	C27	D27	GND
GND	C28	D28 MGT_228_TX3_P	
MGT_228_TX2_P	C29	D29 MGT_228_TX3_N	
MGT_228_TX2_N	C30	D30	GND
GND	C31	D31 MGT_228_TX1_P	
MGT_228_TX0_P	C32	D32 MGT_228_TX1_N	
MGT_228_TX0_N	C33	D33	GND
GND	C34	D34 MGT_227_TX3_P	
MGT_227_TX2_P	C35	D35 MGT_227_TX3_N	
MGT_227_TX2_N	C36	D36	GND
GND	C37	D37 MGT_227_TX1_P	
MGT_227_TX0_P	C38	D38 MGT_227_TX1_N	
MGT_227_TX0_N	C39	D39	GND
GND	C40	D40 MGT_226_TX3_P	
MGT_226_TX2_P	C41	D41 MGT_226_TX3_N	
MGT_226_TX2_N	C42	D42	GND
GND	C43	D43 MGT_226_TX1_P	
MGT_226_TX0_P	C44	D44 MGT_226_TX1_N	
MGT_226_TX0_N	C45	D45	GND
GND	C46	D46 MGT_225_TX3_P	
MGT_225_TX2_P	C47	D47 MGT_225_TX3_N	
MGT_225_TX2_N	C48	D48	GND
GND	C49	D49 MGT_225_TX1_P	
MGT_225_TX0_P	C50	D50 MGT_225_TX1_N	
MGT_225_TX0_N	C51	D51	GND
GND	C52	D52 MGT_224_TX3_P	
MGT_224_TX2_P	C53	D53 MGT_224_TX3_N	
MGT_224_TX2_N	C54	D54	GND
GND	C55	D55 MGT_224_TX1_P	
MGT_224_TX0_P	C56	D56 MGT_224_TX1_N	
MGT_224_TX0_N	C57	D57	GND
GND	C58	D58 MGT_227_CLK_P	
MGT_226_CLK_P	C59	D59 MGT_227_CLK_N	
MGT_226_CLK_N	C60	D60	GND



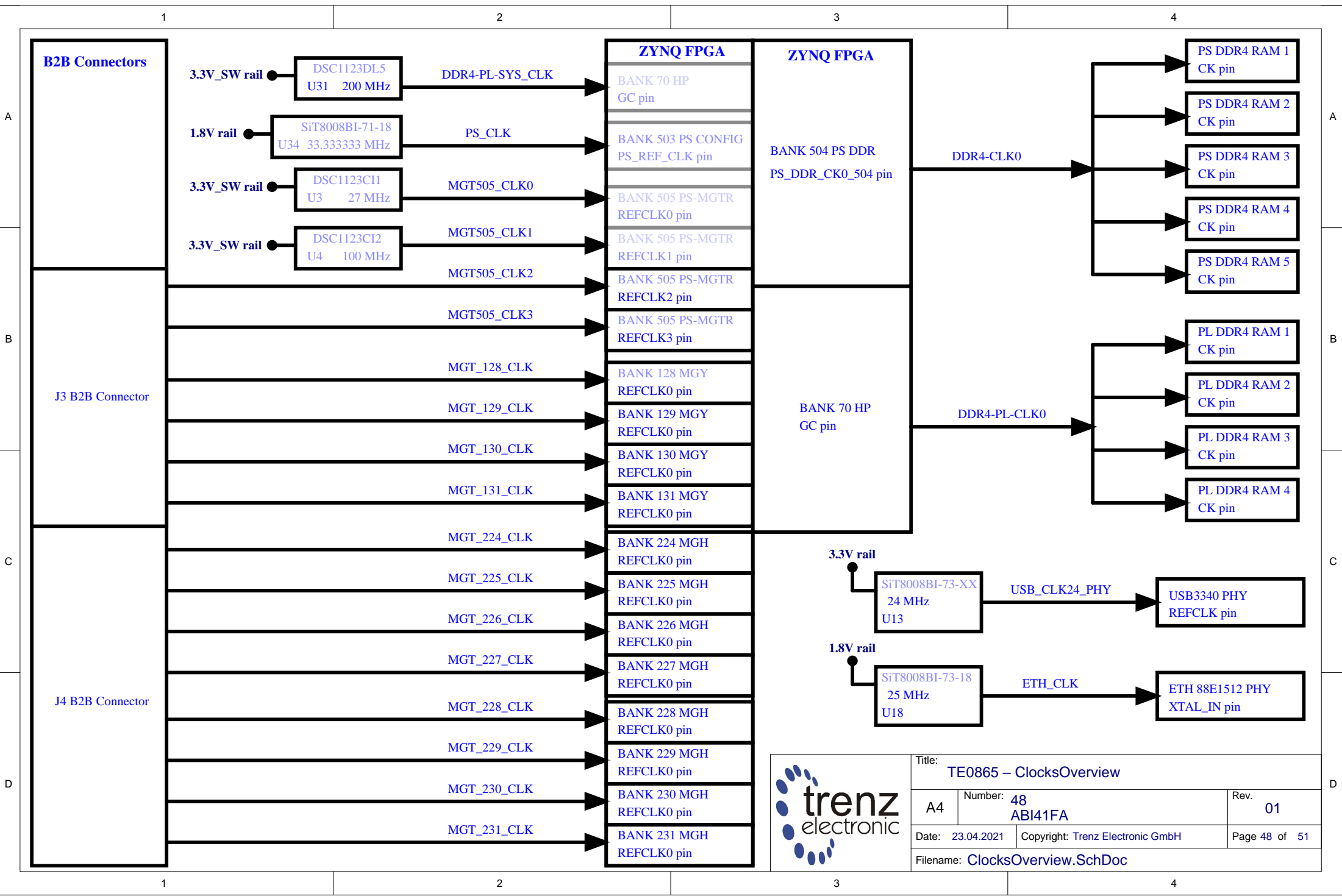
Title: TE0865 – J4_CONNECTOR		
A4	Number: 44 ABI41FA	Rev. 01
Date: 23.04.2021	Copyright: Trenz Electronic GmbH	Page 44 of 51
Filename: J4.schdoc		




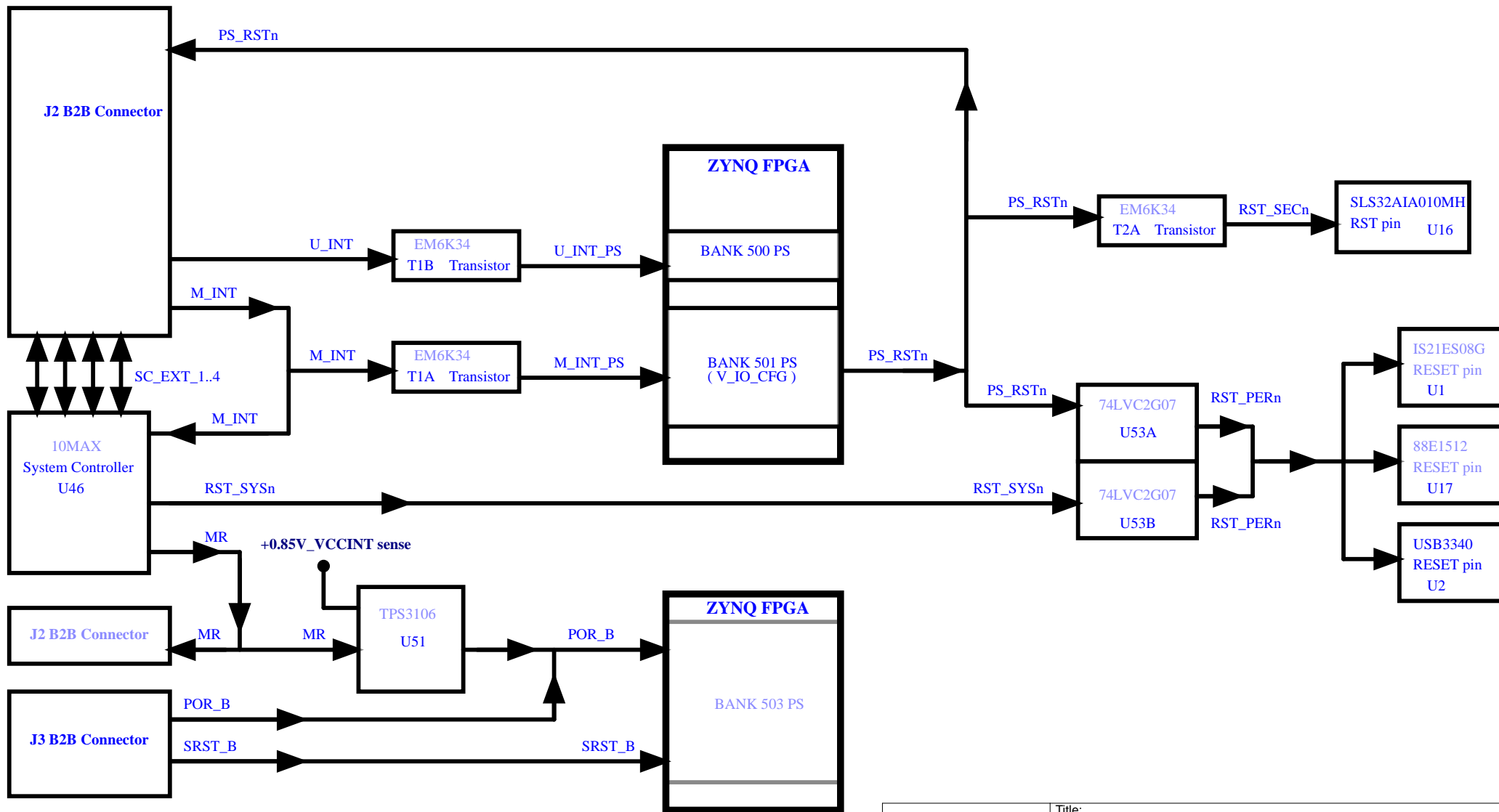
			Title: TE0865 – SYSTEM_CONTROLLER_P2	
			A4	Number: 46 ABI41FA
Date: 23.04.2021		Copyright: Trenz Electronic GmbH		Page 46 of 51
Filename: SC2.SchDoc				



Title: TE0865 – PowerOverview		
A4	Number: 47 ABI41FA	Rev. 01
Date: 23.04.2021	Copyright: Trenz Electronic GmbH	Page 47 of 51
Filename: PowerOverview.SchDoc		



			Title: TE0865 – ClocksOverview	
			A4	Number: 48 ABI41FA
Date: 23.04.2021		Copyright: Trenz Electronic GmbH		Page 48 of 51
Filename: ClocksOverview.SchDoc				



1

2

3

4

A

A

B

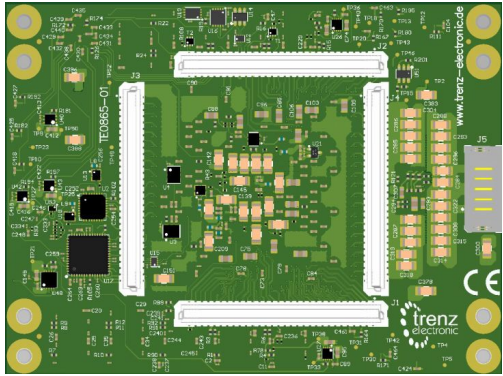
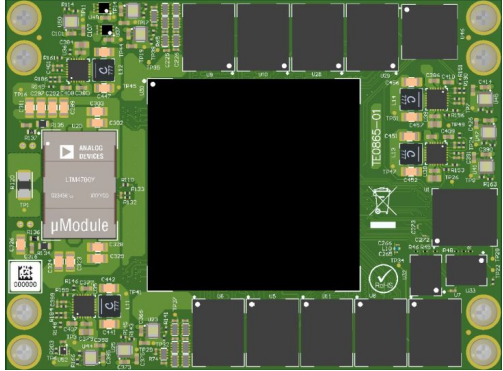
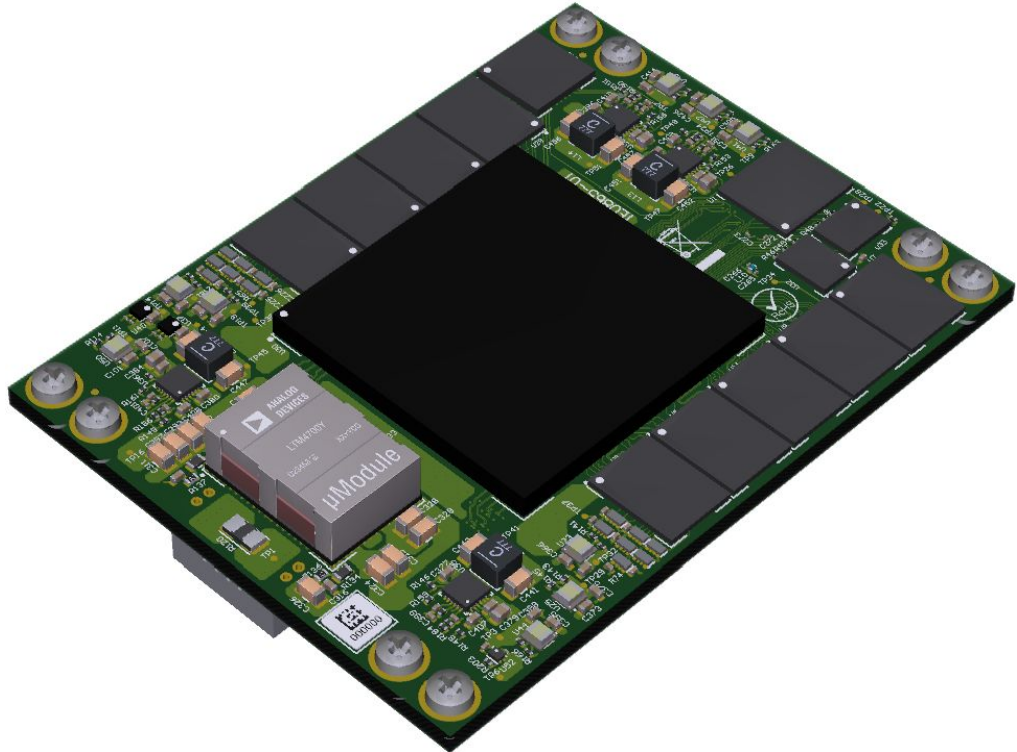
B

C

C

D


D



Regarding the usage of our schematics and alike documentation for Trenz module TE0865.

Project is protected under copyright and we strongly and strictly prohibit the reverse engineering or recreation, even if the design is just adapted or modified. TE0865 is protected under such right and in case of plagiarism we will have to do anything necessary in order to protect our assets.

Schematics and other handouts serve for informational purposes only!

	Title: TE0865 - Legal Notices		
	A4	Number: 50 ABI41FA	Rev. 01
	Date: 23.04.2021	Copyright: Trenz Electronic GmbH / TT	Page 50 of 51
	Filename: Legal Notices Modules.SchDoc		

1

2

3

4

1

2

3

4

REV	Description	
-01	Initial revision	AL
-01a	1. Changed U46: 10M08SAU169C8G -> 10M08SAU169I7G	VY

A

A

B


B

C

C

D

D

	Title: TE0865 – Revision_Changes		
	A4	Number: 51 ABI41FA	Rev. 01
	Date: 23.04.2021	Copyright: Trenz Electronic GmbH	Page 51 of 51
	Filename: Revision_Changes.SchDoc		

1

2

3

4