

1

2

3

4

U_FPGA_B2B_Connectors
FPGA_B2B_Connectors.SchDoc



Ethernet
Ethernet.SchDoc



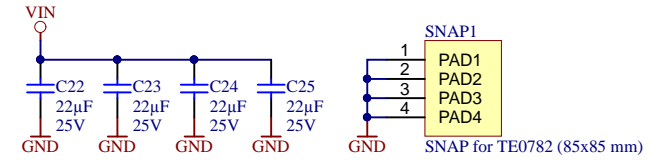
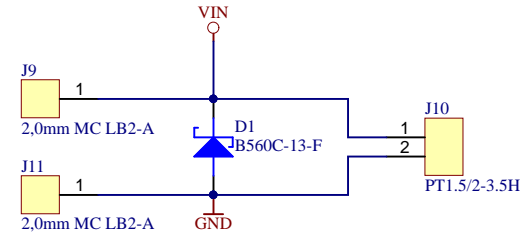
U_EXT_IO
EXT_IO.SchDoc



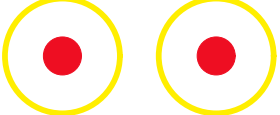
U_USB
USB.SchDoc



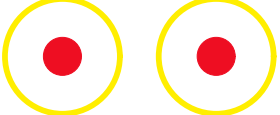
U_POWER
Power.schdoc



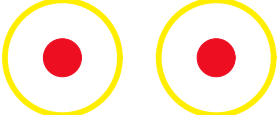
FIDU-DOT - small FIDU-DOT - small



PNDU-DOT - small PNDU-DOT - small

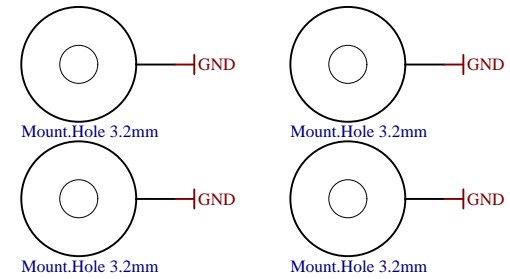


PNDU-DOT - small PNDU-DOT - small

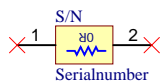


PM5

PM6



Serial
Serial
Serialnumber 6,3 x 6.3mm




1

2

3

4

		Title: TEBT0782	
		A4	Number: TEBT0782 A
Date: 2015-10-30		Copyright: Trenz Electronic GmbH	
Page1		of 9	
Filename: TEBT0782.SchDoc			

1

2

3

4

A

A

B

B

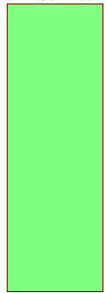
C

C

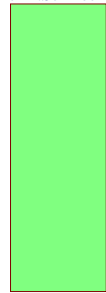
D

D

U_JB2
JB2.SchDoc



U_JB1
JB1.SchDoc



U_JB3
JB3.SchDoc



Title: TEBT0782 - FPGA B2B Connectors		
A4	Number: TEBT0782 A	Rev. 01
Date: 2015-10-30	Copyright: Trenz Electronic GmbH	Page 2 of 9
Filename: FPGA_B2B_Connectors.SchDoc		

1

2

3

4

1

2

3

4

A

A

B

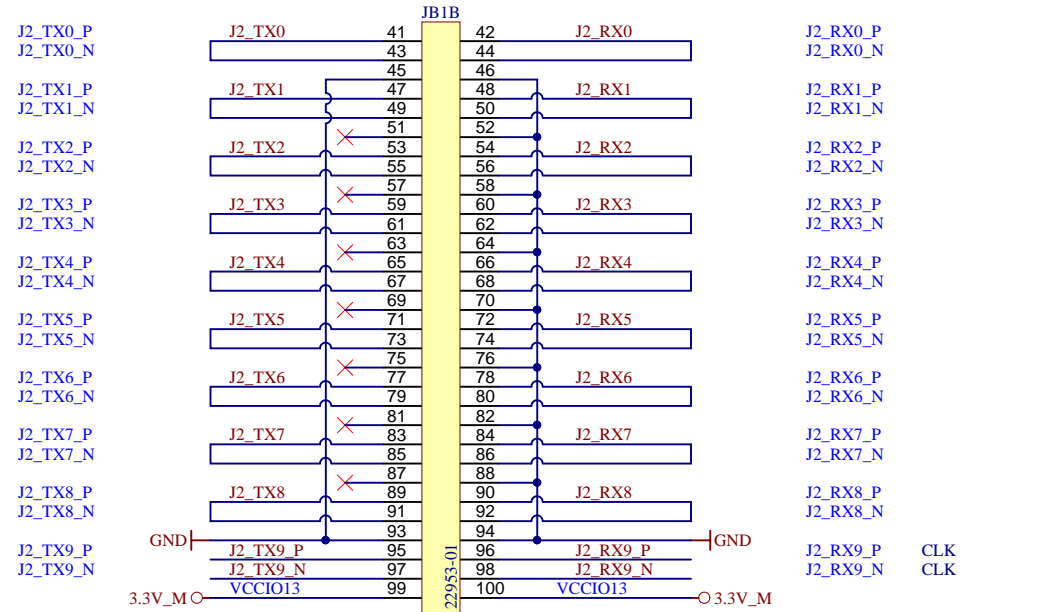
B

C

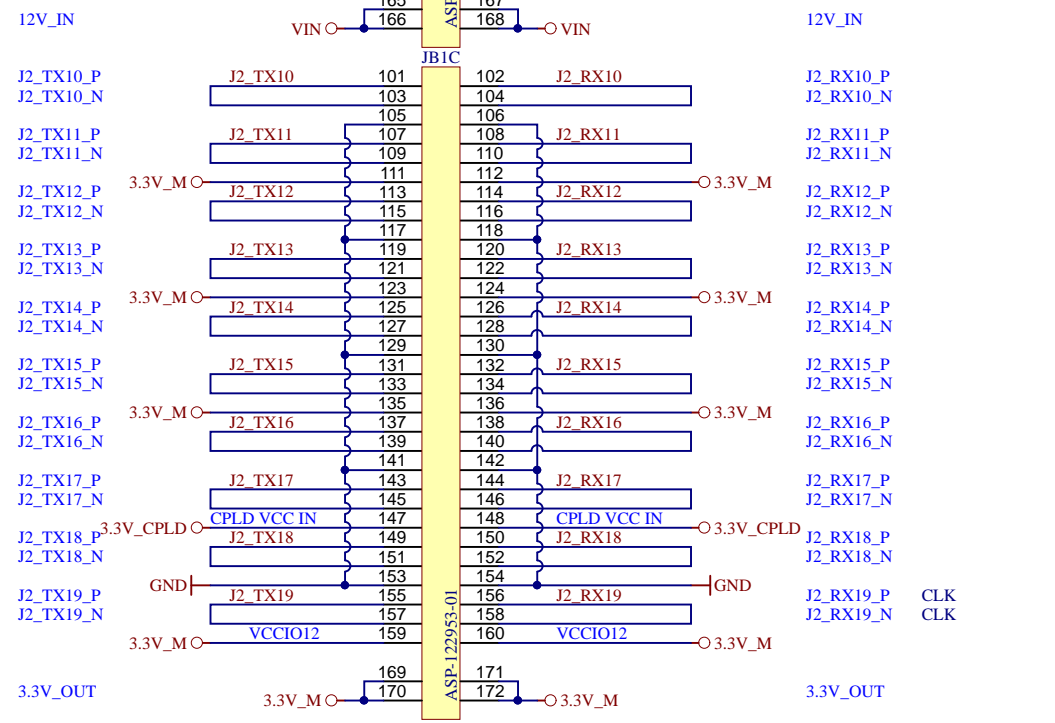
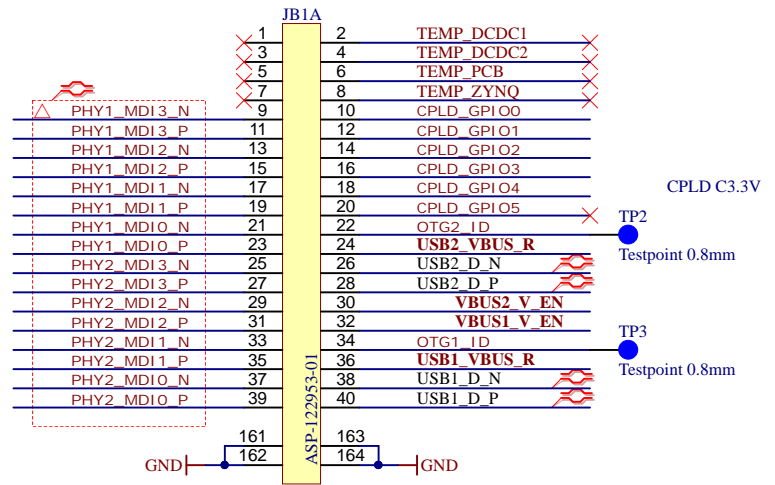
C

D

D



PHY1_MDI3_N
 PHY1_MDI3_P
 PHY1_MDI2_N
 PHY1_MDI2_P
 PHY1_MDI1_N
 PHY1_MDI1_P
 PHY1_MDI0_N
 PHY1_MDI0_P
 PHY2_MDI3_P
 PHY2_MDI2_N
 PHY2_MDI2_P
 PHY2_MDI1_N
 PHY2_MDI1_P
 PHY2_MDI0_N
 PHY2_MDI0_P



Title: TEBT0782 - FPGA B2B Connectors JB1		
A4	Number: TEBT0782 A	Rev. 01
Date: 2015-10-30	Copyright: Trenz Electronic GmbH	Page 3 of 9
Filename: JB1.SchDoc		

1

2

3

4

1

2

3

4

A

A

B

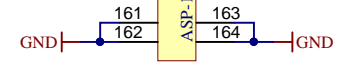
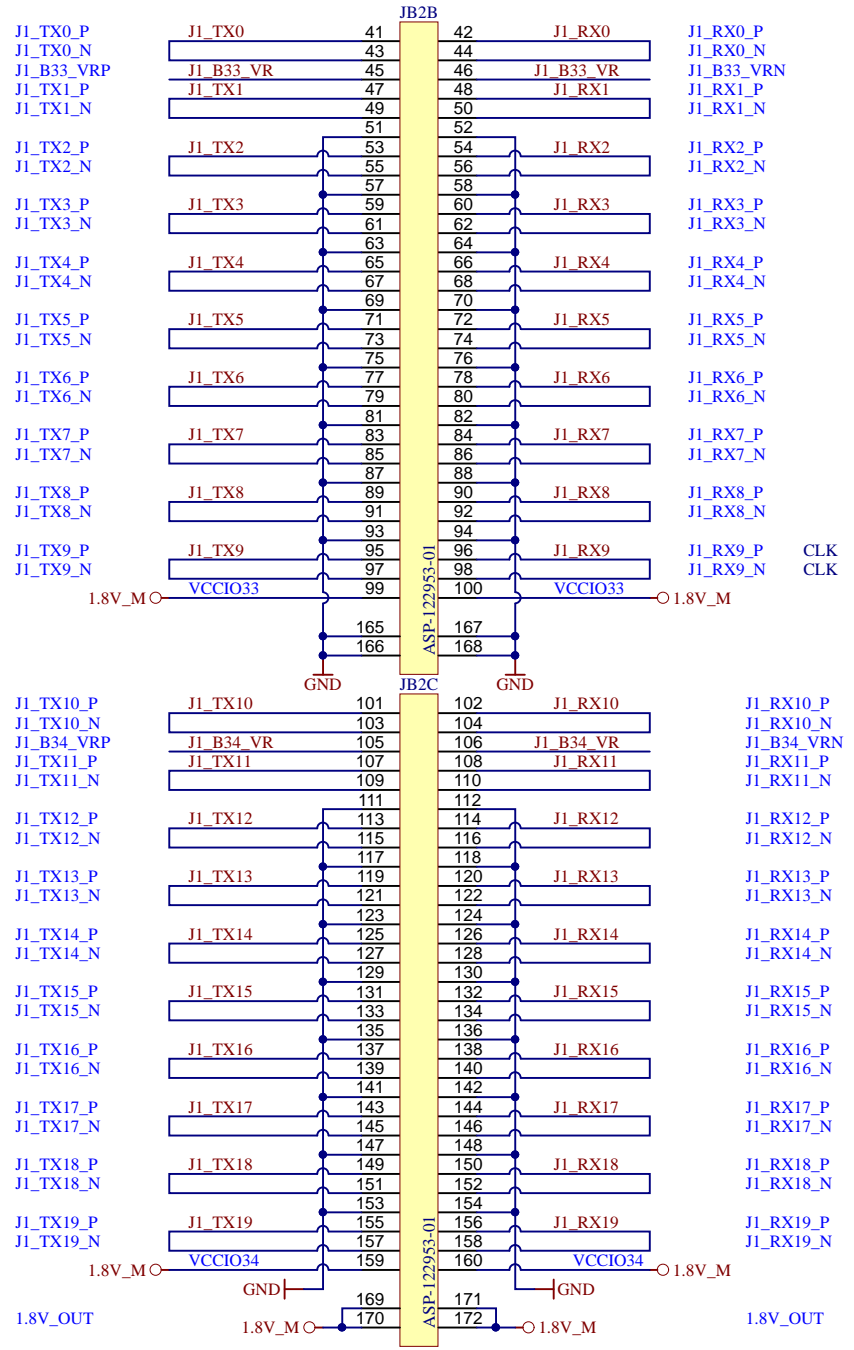
B

C

C

D

D



CLK
CLK



Title: TEBT0782 - FPGA B2B Connectors JB2		
A4	Number: TEBT0782 A	Rev. 01
Date: 2015-10-30	Copyright: Trenz Electronic GmbH	Page 4 of 9
Filename: JB2.SchDoc		

1

2

3

4

1

2

3

4

A

A

B

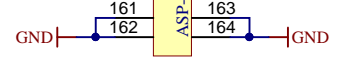
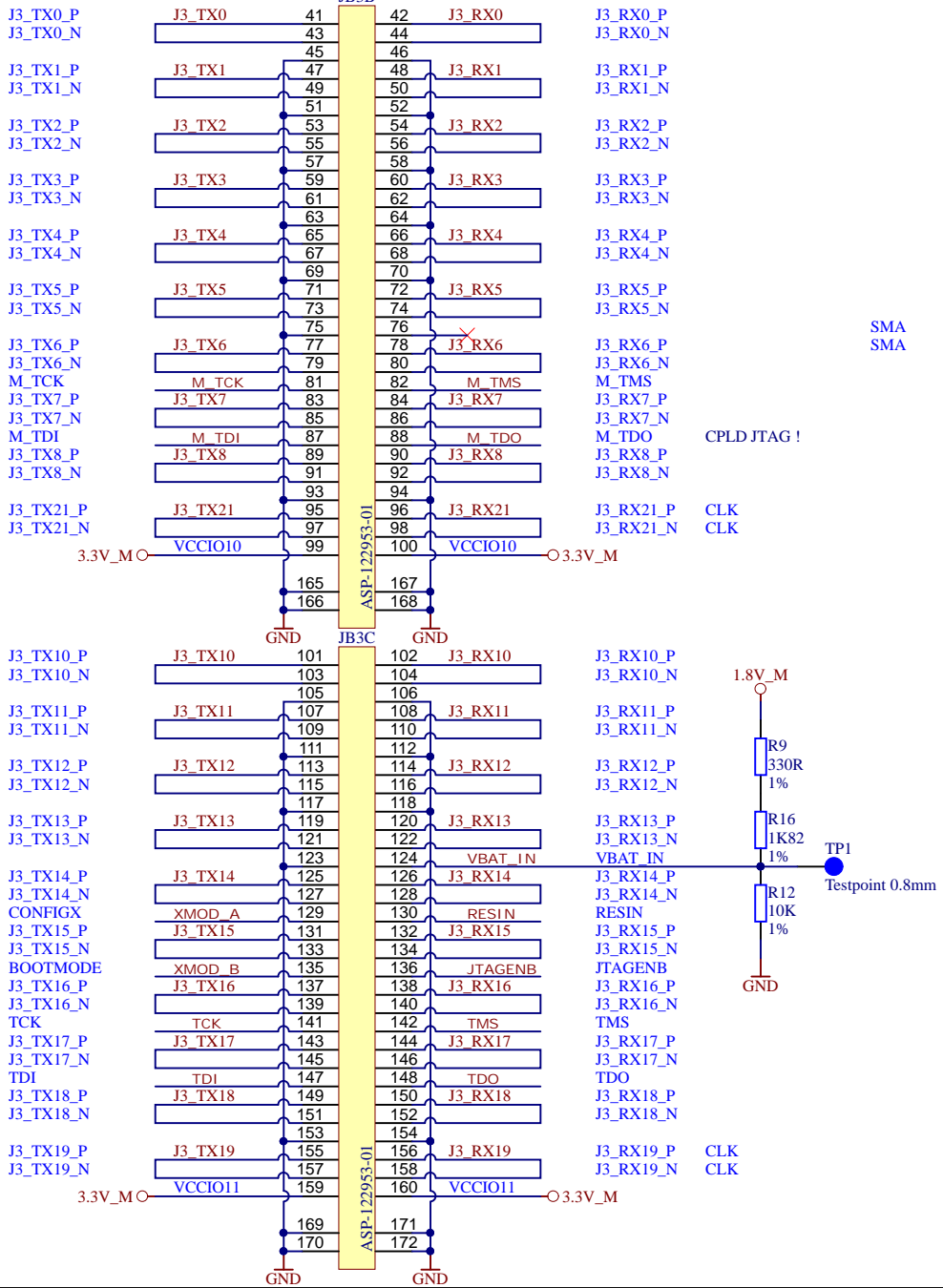
B

C

C

D

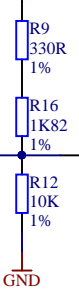
D



CPLD JTAG !

CLK
CLK

1.8V_M



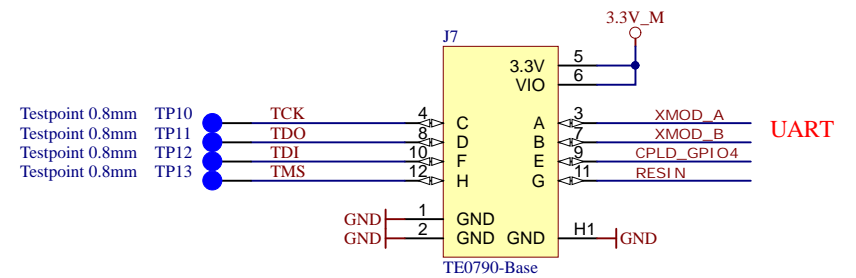
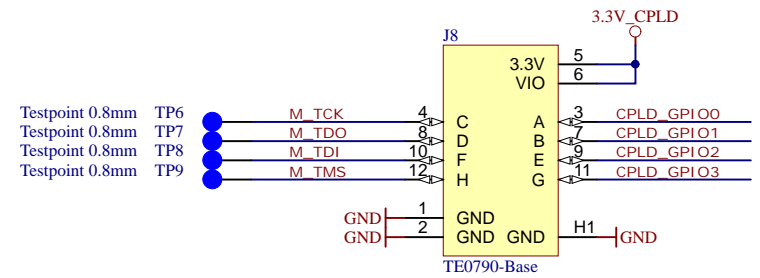
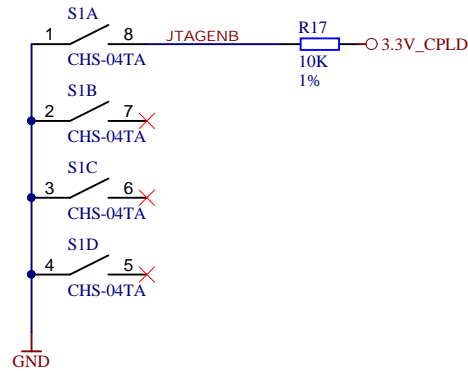
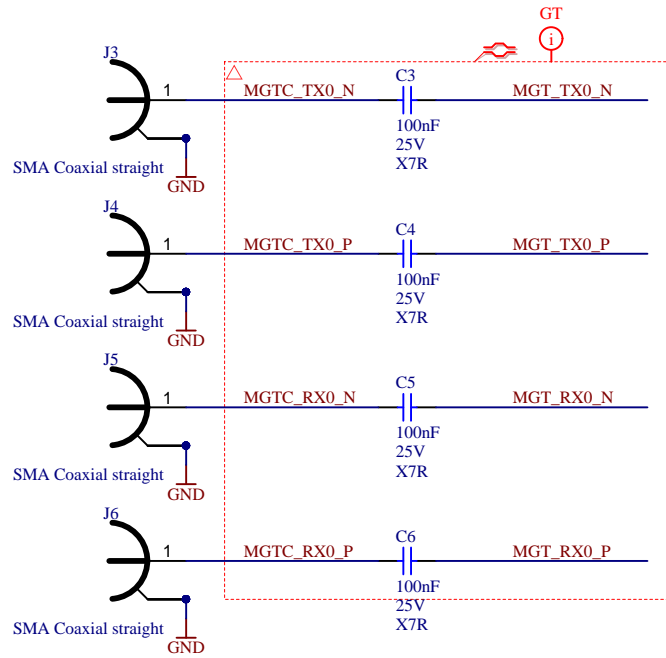
Title: TEBT0782 - FPGA B2B Connectors JB3		
A4	Number: TEBT0782 A	Rev. 01
Date: 2015-10-30	Copyright: Trenz Electronic GmbH	Page5 of 9
Filename: JB3.SchDoc		

1

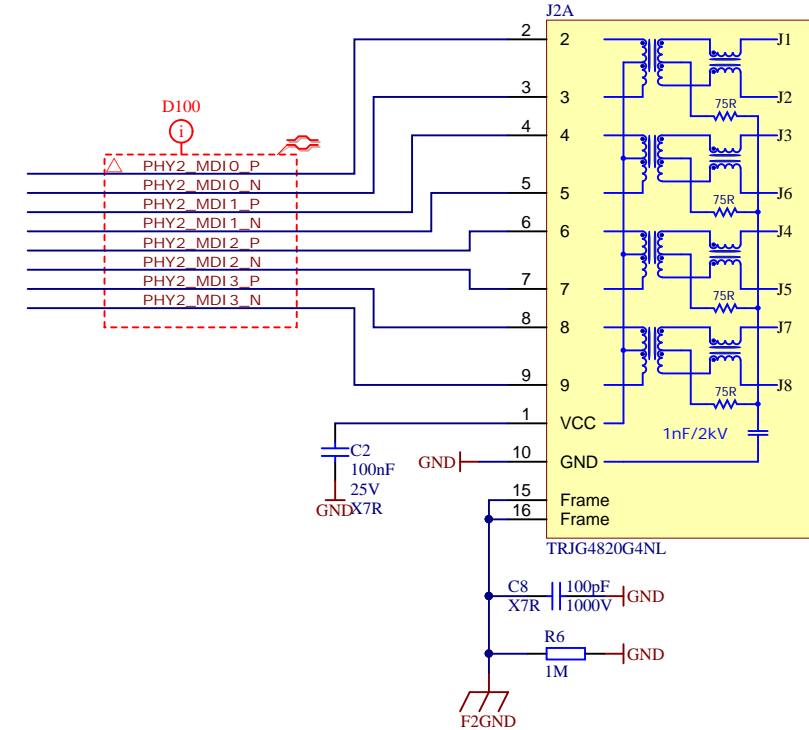
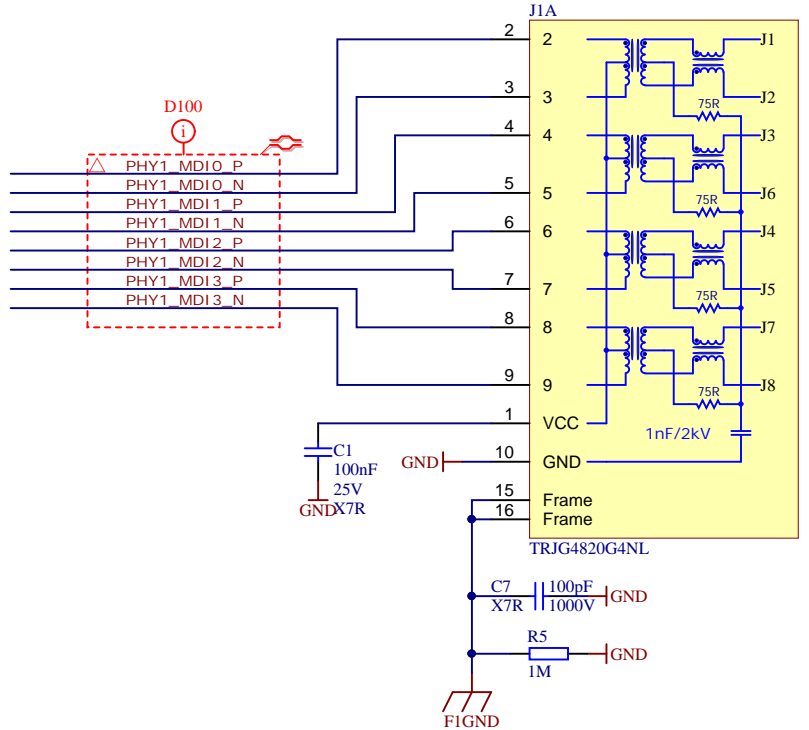
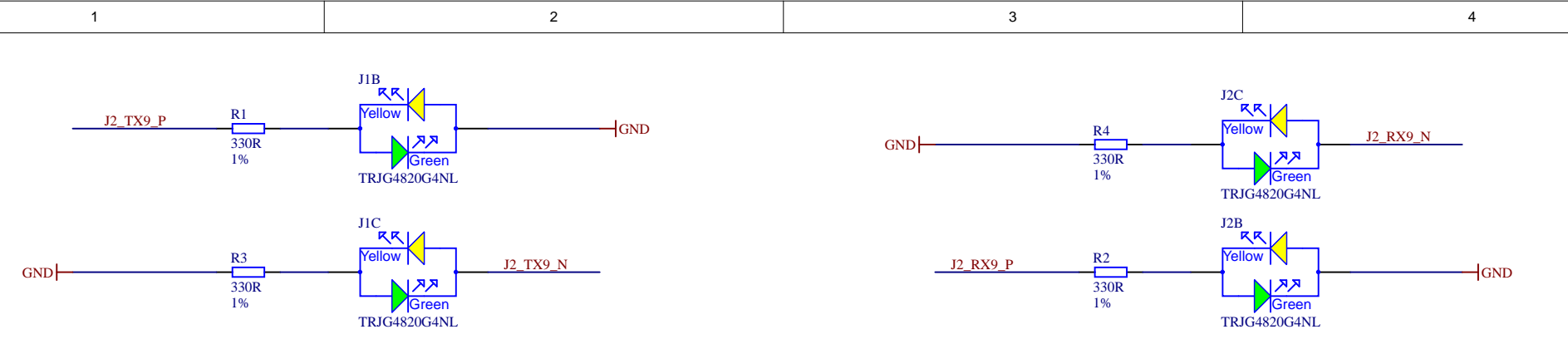
2


3

4



	Title: TEBT0782 - External IO		
	A4	Number: TEBT0782 A	Rev. 01
	Date: 2015-10-30	Copyright: Trenz Electronic GmbH	Page 6 of 9
	Filename: EXT_IO.SchDoc		



			Title: TEBT0782 - Ethernet	
			A4	Number: TEBT0782 A
Date: 2015-10-30		Copyright: Trenz Electronic GmbH		Page 7 of 9
Filename: Ethernet.SchDoc				

1

2

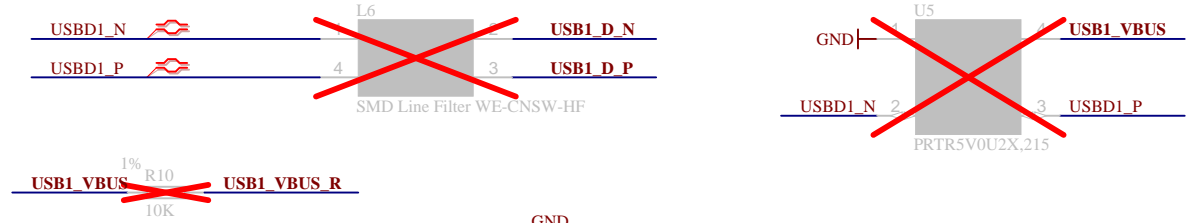
3

4

A

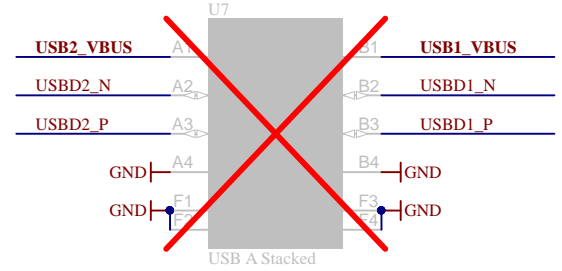
A

USB 1



B

B



USB 2



D

D



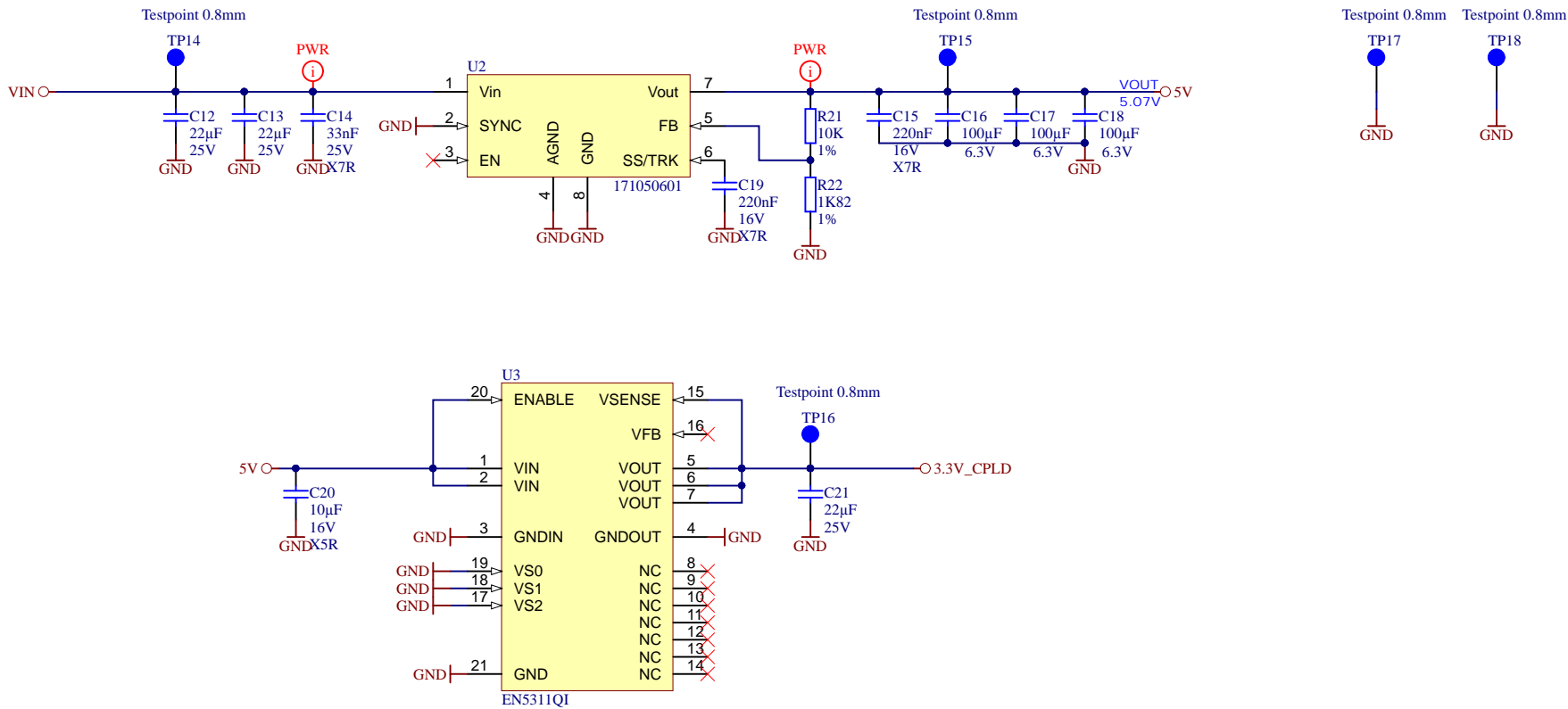
Title: TEBT0782 - USB		
A4	Number: TEBT0782 A	Rev. 01
Date: 2015-10-30	Copyright: Trenz Electronic GmbH	Page 8 of 9
Filename: USB.SchDoc		

1

2

3

4



Title: TEBT0782 - Power		
A4	Number: TEBT0782 A	Rev. 01
Date: 2016-08-29	Copyright: Trenz Electronic GmbH	Page 9 of 9
Filename: Power.schdoc		