

1

2

3

4

U_DDR3-RAM
DDR3-RAM.SchDoc

U_Ethernet
Ethernet.SchDoc

U_USB-PHY
USB-PHY.SchDoc

U_SOC
SOC.SchDoc

U_CPLD
CPLD.SchDoc

U_POWER2
POWER2.SchDoc

U_HyperFlash_RAM
HyperFlash_RAM.SchDoc

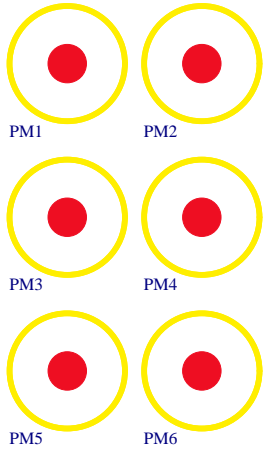
U_Clock
Clock.SchDoc

U_eMMC
eMMC.SchDoc

U_Connectors
Connectors.SchDoc

U_POWER
POWER.SchDoc

LOGO1
TE Logo PRINT Layer
LOGO PRINT



Serial
Serial
Serialnumber 6,3 x 6.3mm



Title: TE0782 - Overview		
A4	Number: TE0782 A2I33FA	Rev. 02
Date: 2015-05-27	Copyright: Trenz Electronic GmbH	Page1 of 31
Filename: TE0782.SchDoc		

1

2

3

4

A

A

B

B

C

C

D

D

1

2

3

4

U_HSMC_CONN_J1
HSMC_CONN_J1.SchDoc



U_HSMC_CONN_J2
HSMC_CONN_J2.SchDoc



U_HSMC_CONN_J3
HSMC_CONN_J3.SchDoc



A

A

B


B

C

C

D

D

			Title: TE0782 - Connectors		
			A4	Number: TE0782 A2I33FA	Rev. 02
Date: 2015-05-27		Copyright: Trenz Electronic GmbH		Page2 of 31	
Filename: Connectors.SchDoc					

1

2

3

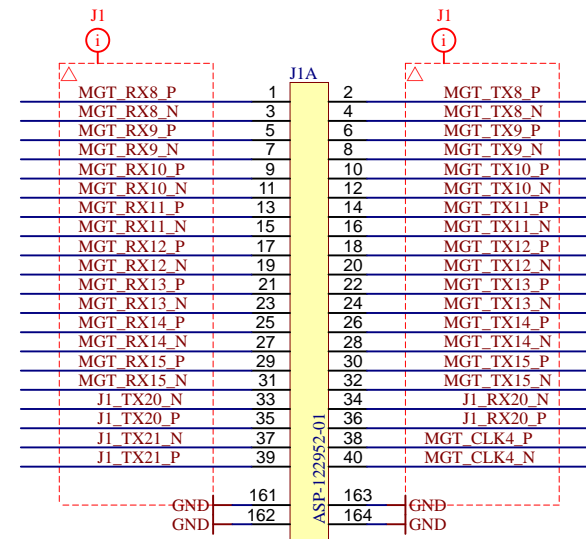
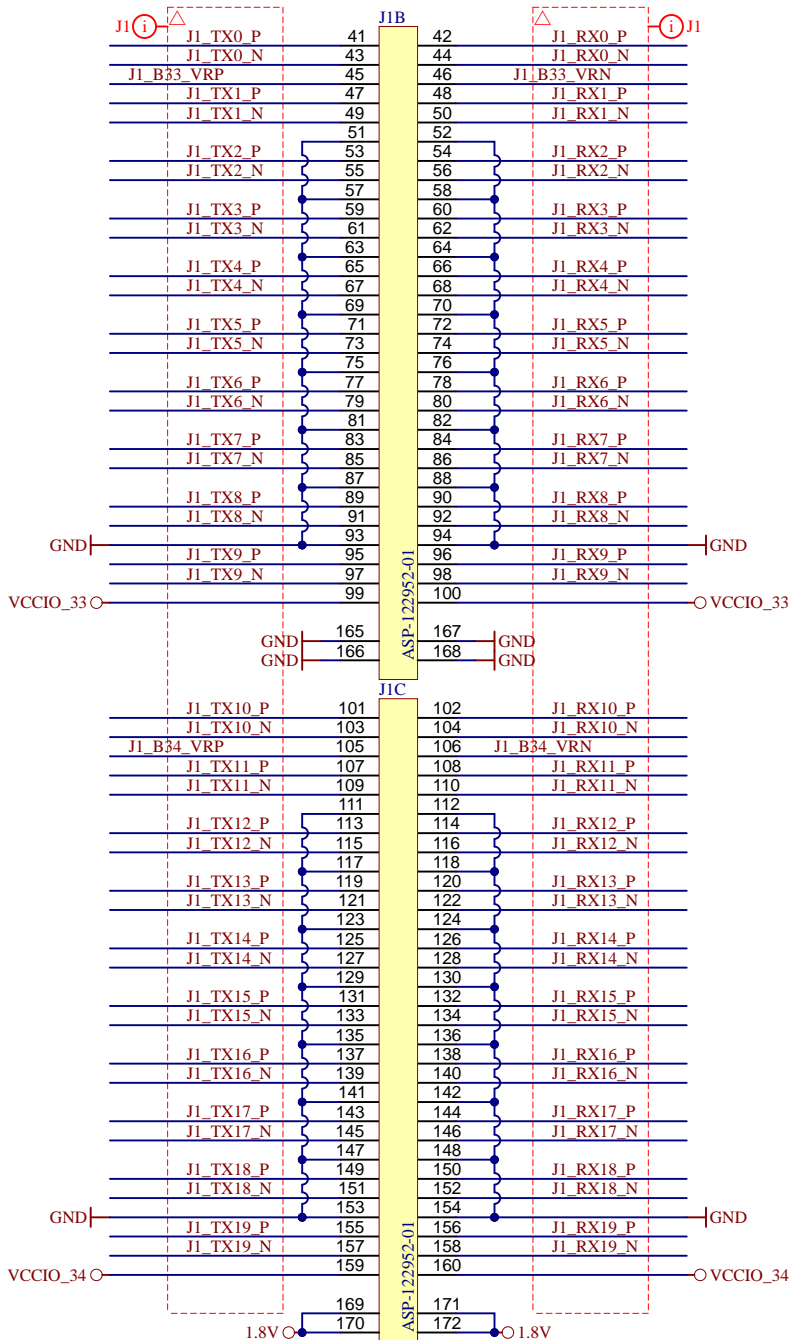
4


1

2

3

4



			Title: TE0782 - HSMC_Connector_J1	
			A4	Number: TE0782 A2133FA
Date: 2015-05-27		Copyright: Trenz Electronic GmbH		Page3 of 31
Filename: HSMC_CONN_J1.SchDoc				

1

2

3

4

A

A

B

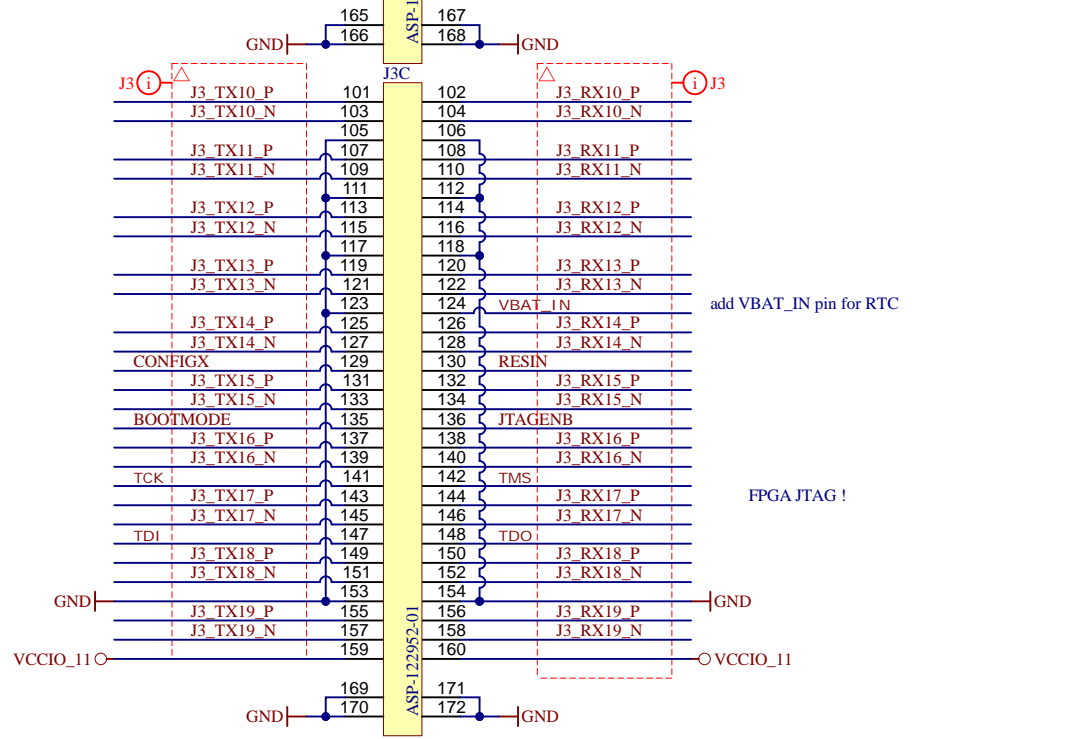
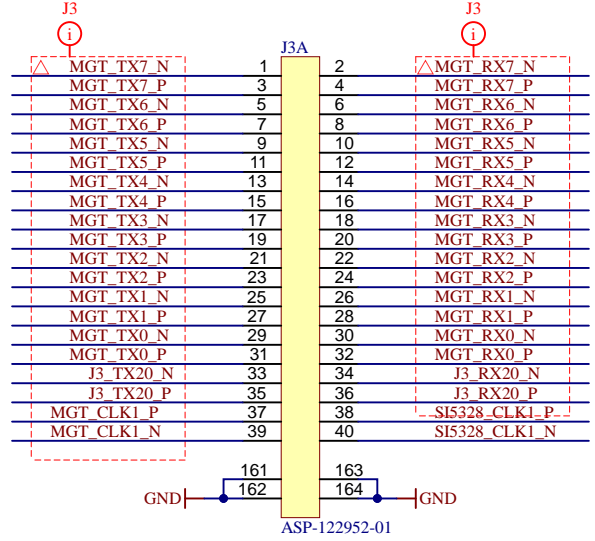
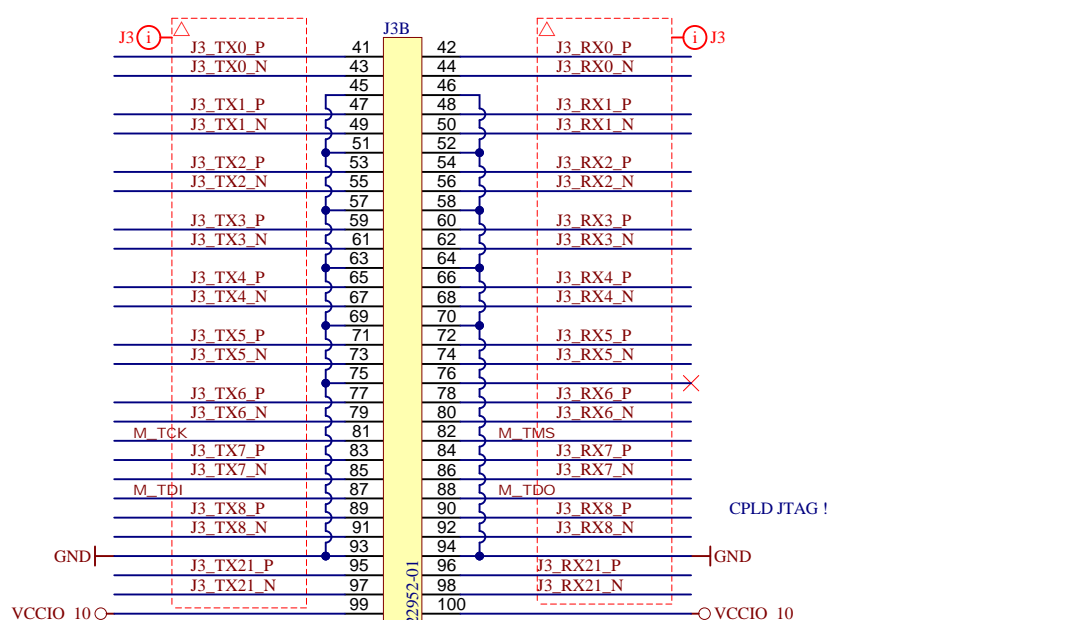
B

C

C

D

D



Title: TE0782 - HSMC_Connector_J3		
A4	Number: TE0782 A2133FA	Rev. 02
Date: 2015-05-27	Copyright: Trenz Electronic GmbH	Page4 of 31
Filename: HSMC_CONN_J3.SchDoc		

A

A

B

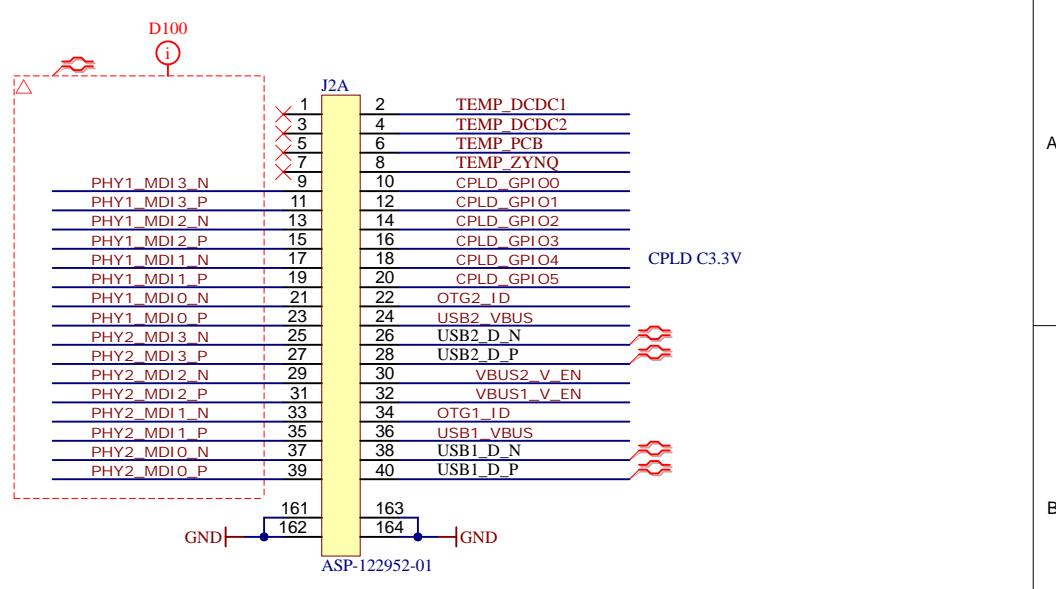
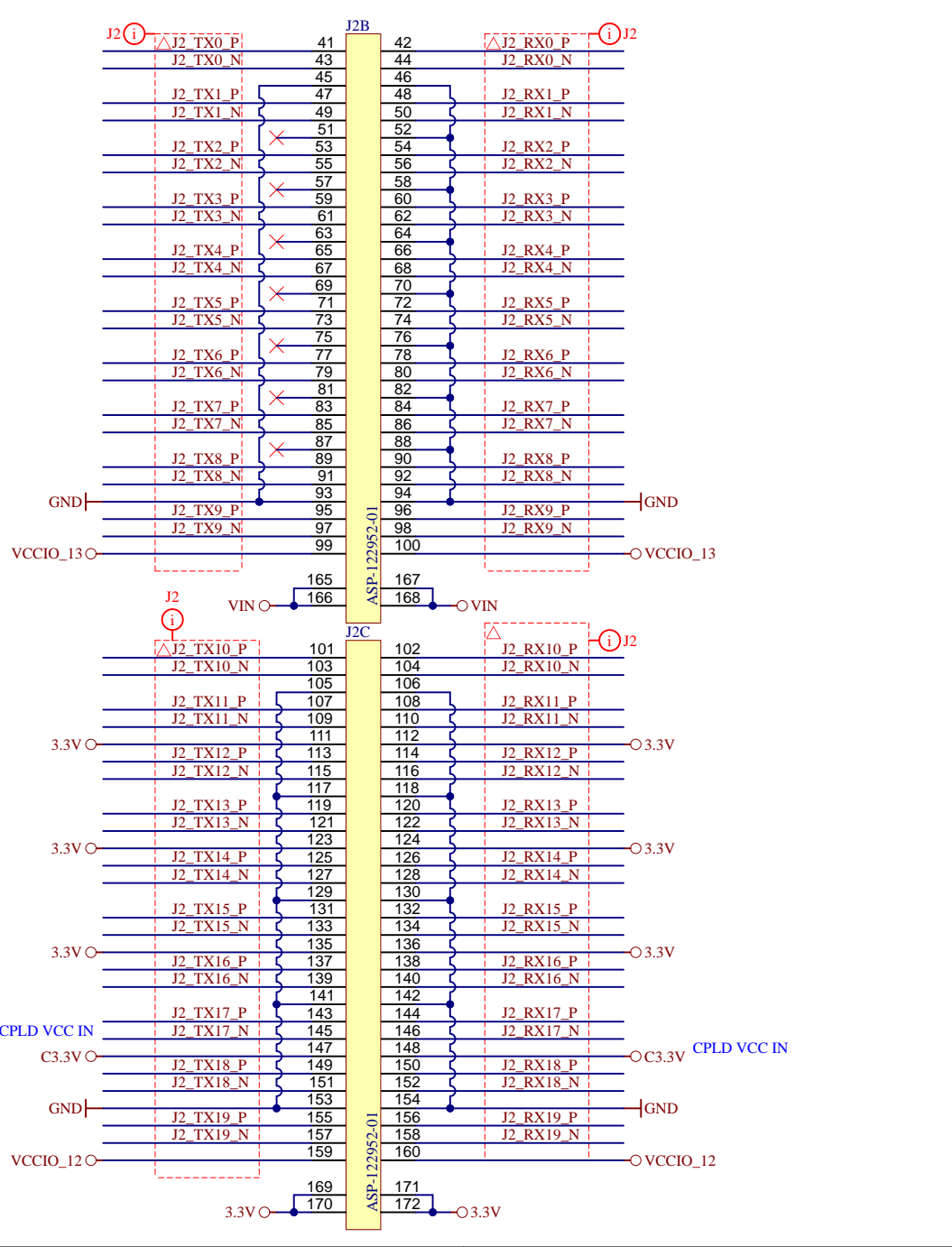
B

C

C

D

D



Title: TE0782 - HSMC_Connector_J2		
A4	Number: TE0782 A2133FA	Rev. 02
Date: 2015-05-27	Copyright: Trenz Electronic GmbH	Page5 of 31
Filename: HSMC_CONN_J2.SchDoc		

1

2

3

4

A

A

U_PS-DDR
PS-DDR.SchDoc



U_B9
B9.SchDoc



U_MIO-BANKS
MIO-BANKS.SchDoc



U_B10
B10.SchDoc



U_HP-BANKS
HP-BANKS.SchDoc



U_B11
B11.SchDoc



B

B

U_FPGA-MGT
FPGA-MGT.SchDoc



U_B12
B12.SchDoc



U_FPGA-CFG
FPGA-CFG.SchDoc



U_B13
B13.SchDoc



C


C

U_FPGA-PWR
FPGA-PWR.SchDoc



D

D

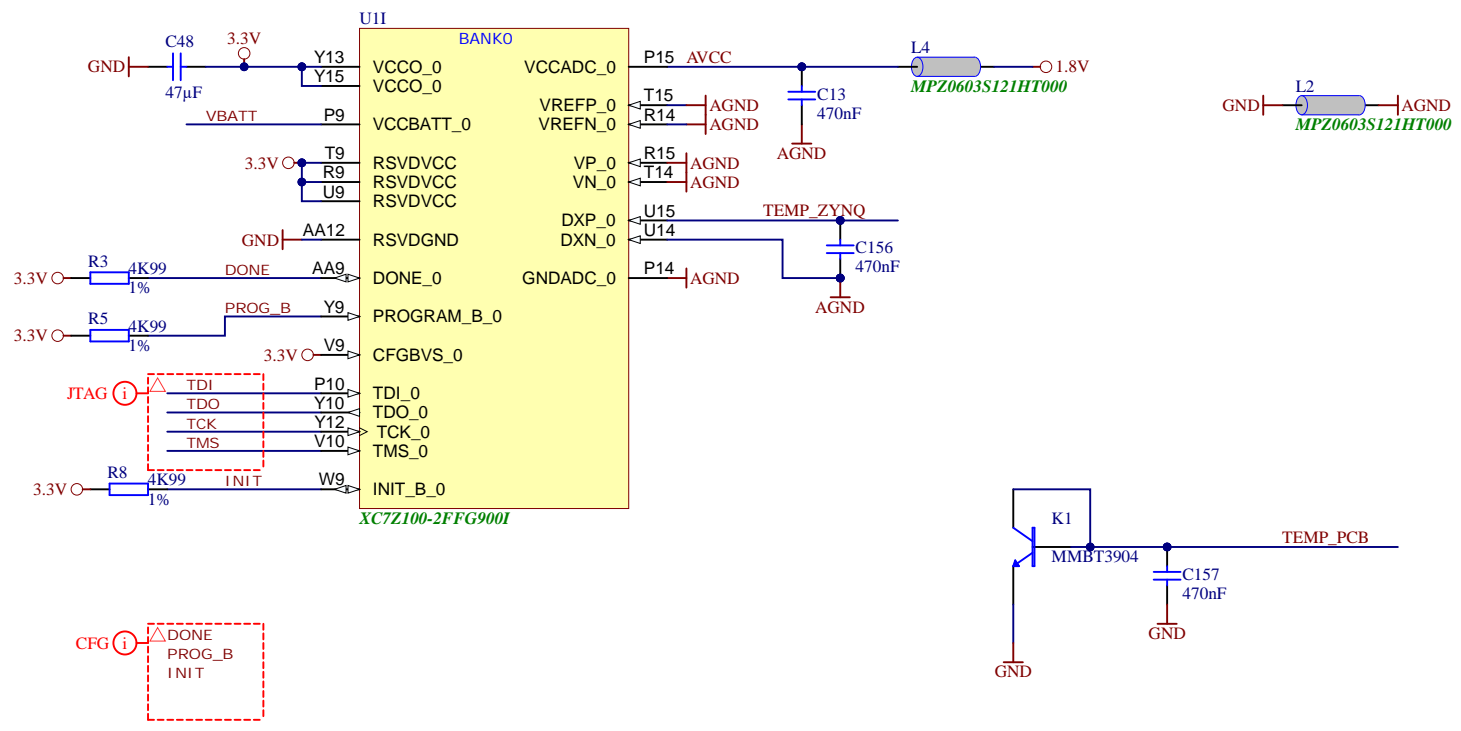
			Title: TE0782 - SOC		
			A4	Number: TE0782 A2I33FA	Rev. 02
Date: 2015-05-27		Copyright: Trenz Electronic GmbH		Page6 of 31	
Filename: SOC.SchDoc					

1

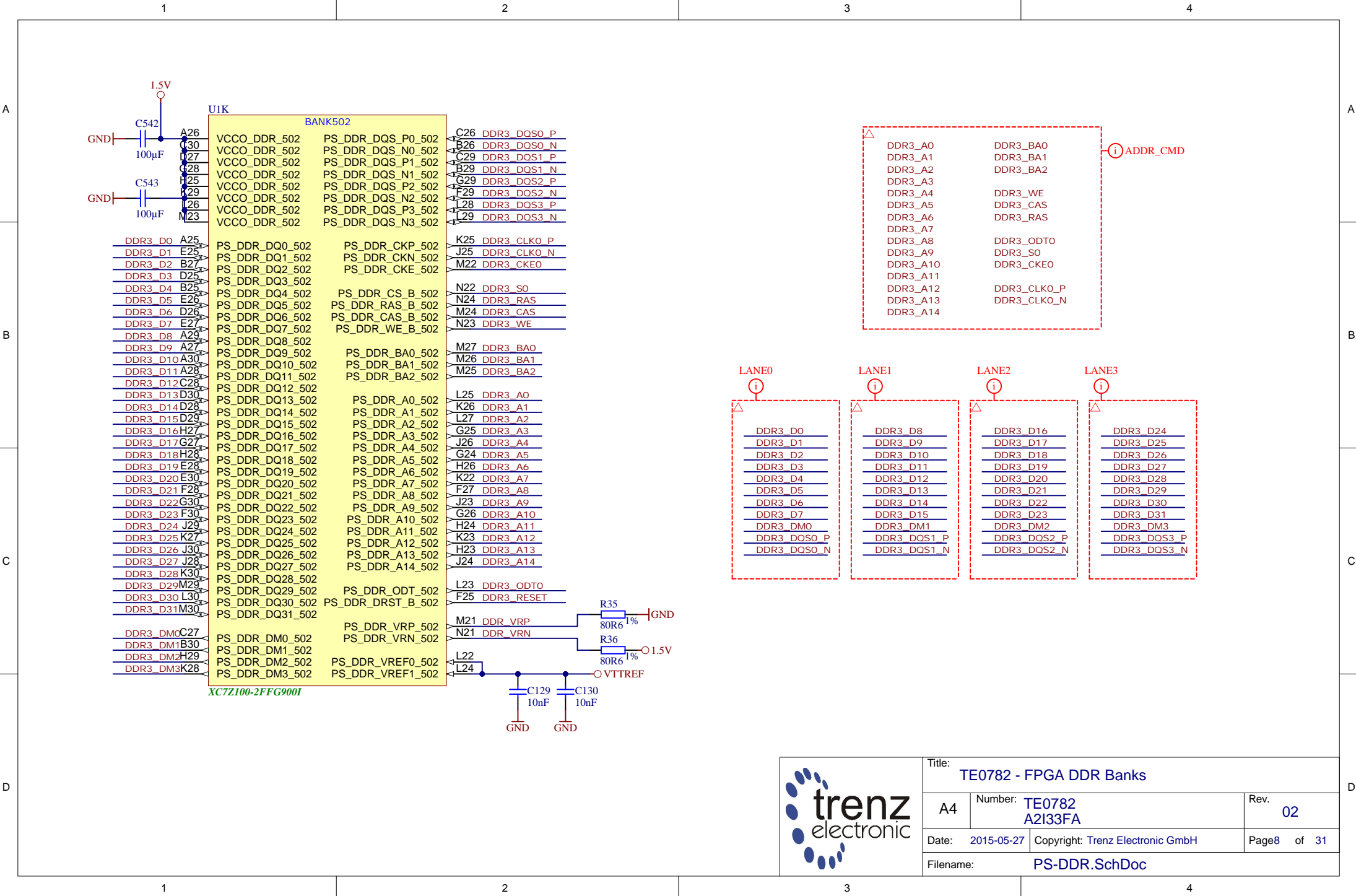
2

3

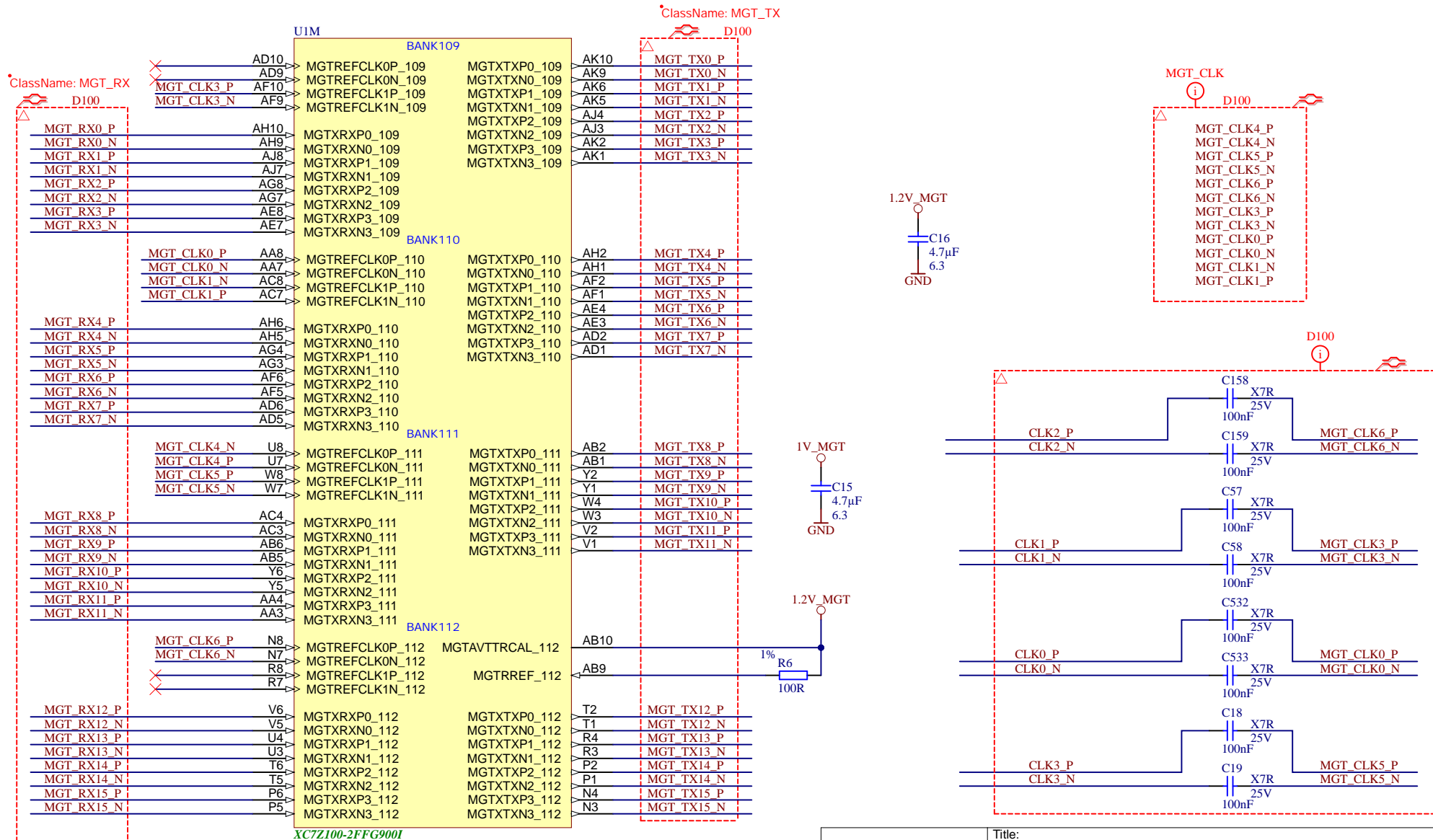
4



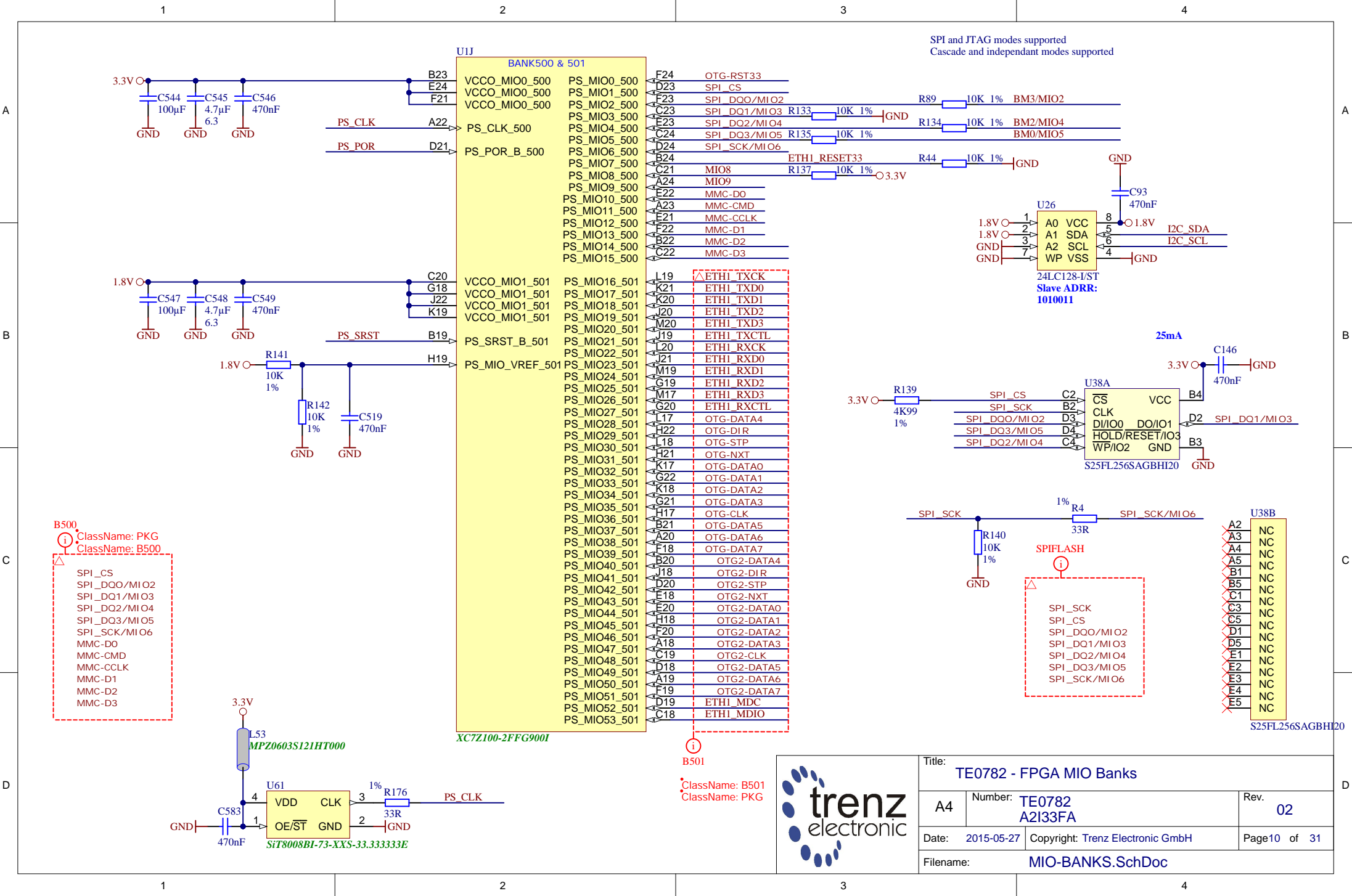
	Title: TE782 - FPGA Configuration		
	A4	Nummer: TE0782 A2133FA	Rev. 02
	Datum: 2015-05-27	Zeichner: Trenz Electronic GmbH	Blatt 7 von 31
	Filename: FPGA-CFG.SchDoc		



Title: TE0782 - FPGA DDR Banks		
A4	Number: TE0782 A2133FA	Rev. 02
Date: 2015-05-27	Copyright: Trenz Electronic GmbH	Page 8 of 31
Filename: PS-DDR.SchDoc		



Title: TE0782 - FPGA MGT		
A4	Number: TE0782 A2133FA	Rev. 02
Date: 2015-05-27	Copyright: Trenz Electronic GmbH	Page9 of 31
Filename: FPGA-MGT.SchDoc		

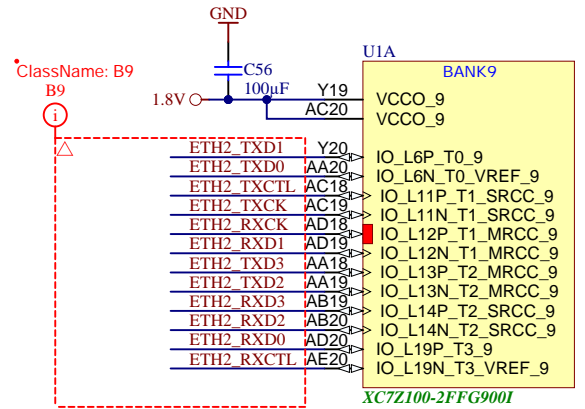


- B500**
- ClassName: PKG
 - ClassName: B500
- SPI_CS
 - SPI_DQ0/MIO2
 - SPI_DQ1/MIO3
 - SPI_DQ2/MIO4
 - SPI_DQ3/MIO5
 - SPI_SCK/MIO6
 - MMC-D0
 - MMC-CMD
 - MMC-CCLK
 - MMC-D1
 - MMC-D2
 - MMC-D3

- SPIFLASH**
- SPI_SCK
 - SPI_CS
 - SPI_DQ0/MIO2
 - SPI_DQ1/MIO3
 - SPI_DQ2/MIO4
 - SPI_DQ3/MIO5
 - SPI_SCK/MIO6




Title: TE0782 - FPGA MIO Banks		
A4	Number: TE0782 A2133FA	Rev. 02
Date: 2015-05-27	Copyright: Trenz Electronic GmbH	Page 10 of 31
Filename: MIO-BANKS.SchDoc		

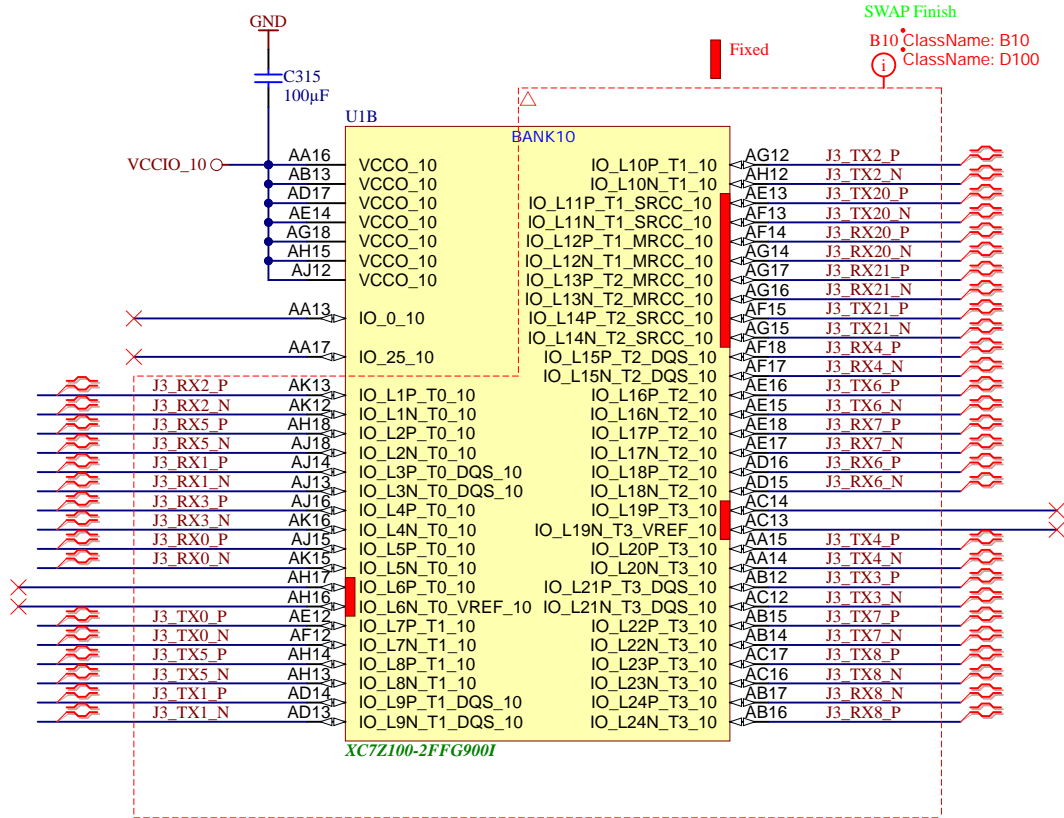



RXCK Fix to MRCC

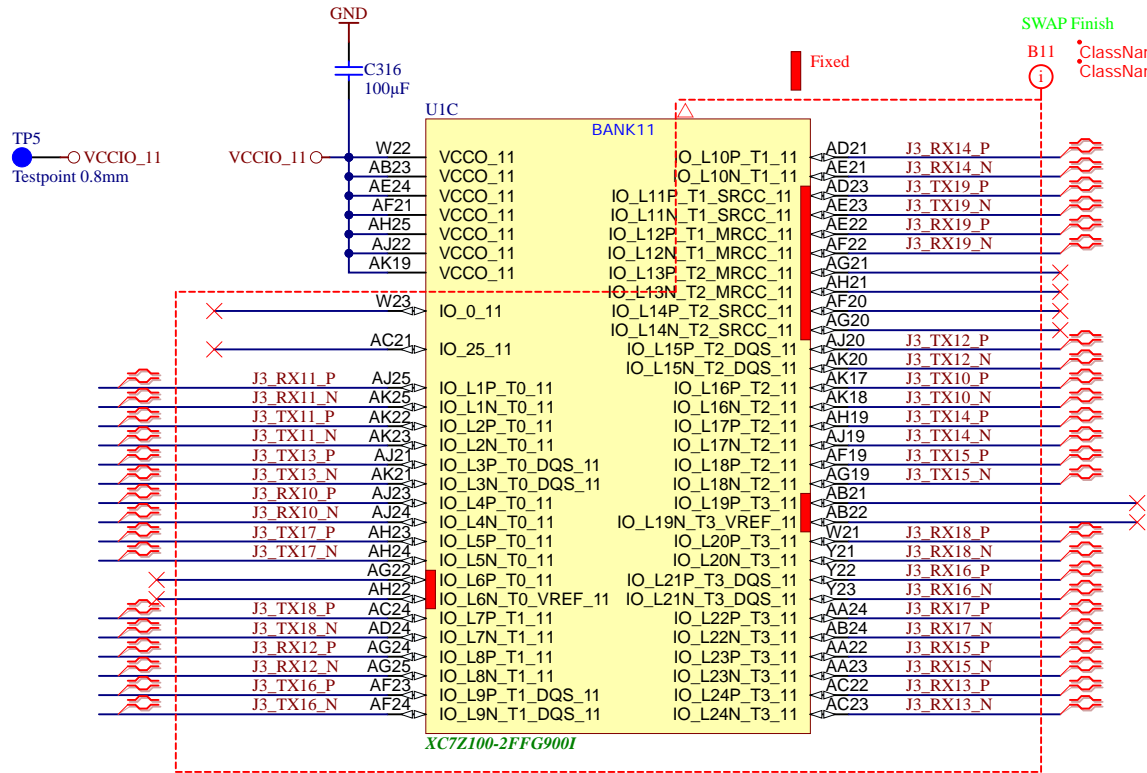
Fixed

	Title: TE0782 - FPGA B9		
	A4	Number: TE0782 A2I33FA	Rev. 02
	Date: 2015-05-27	Copyright: Trenz Electronic GmbH	Page 11 of 31
	Filename: B9.SchDoc		


TP4
 ● ○ VCCIO_10
 Testpoint 0.8mm

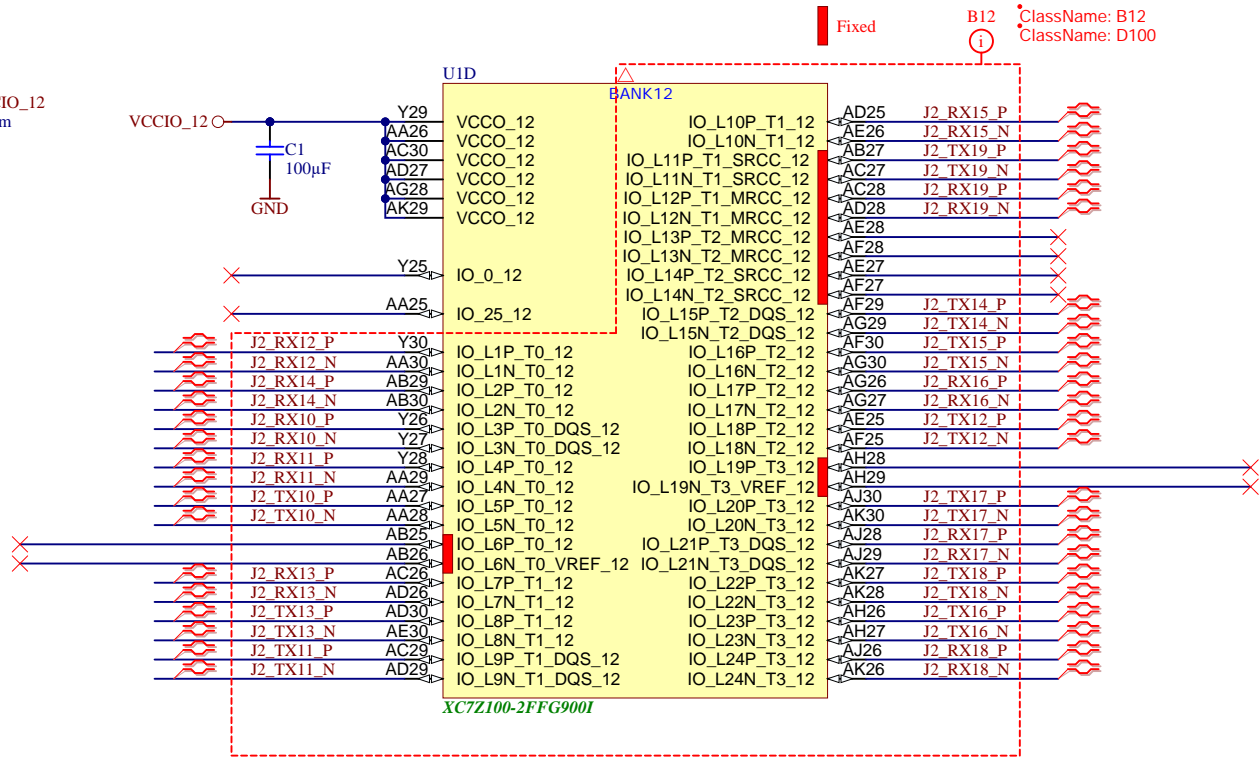


	Title: TE0782 - FPGA B10		
	A4	Number: TE0782 A2I33FA	Rev. 02
	Date: 2015-05-27	Copyright: Trenz Electronic GmbH	Page 12 of 31
	Filename: B10.SchDoc		




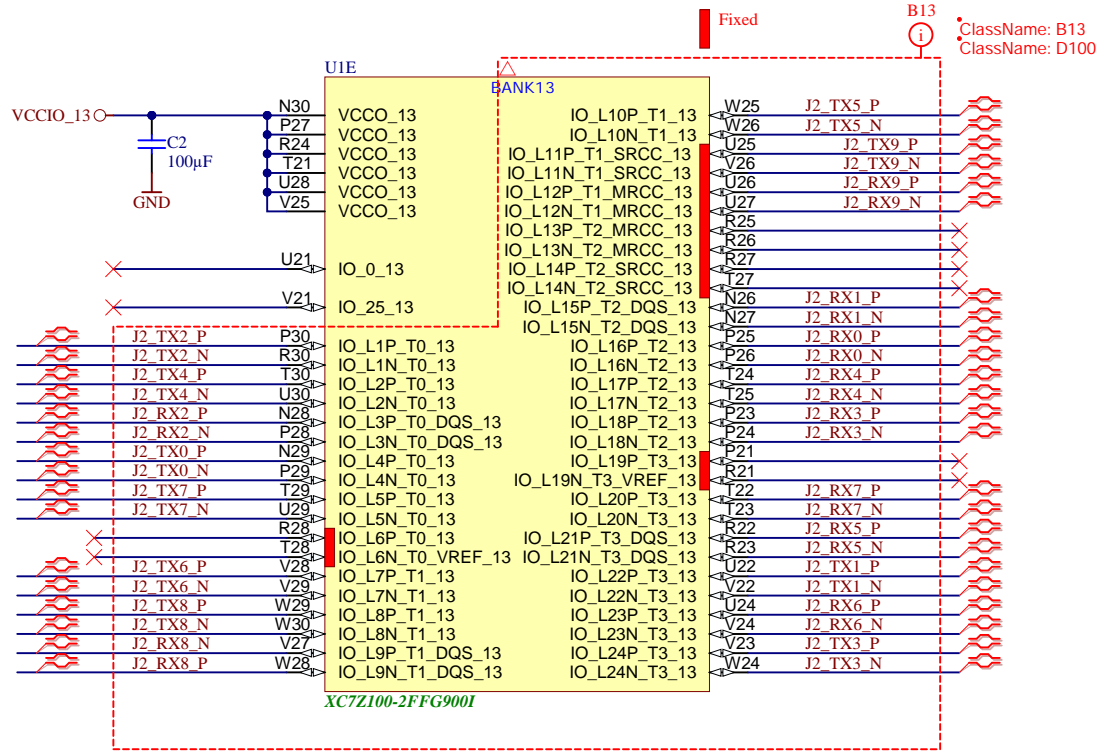
Title: TE0782 - FPGA B11		
A4	Number: TE0782 A2I33FA	Rev. 02
Date: 2015-05-27	Copyright: Trenz Electronic GmbH	Page13 of 31
Filename: B11.SchDoc		


TP1
 VCCIO_12
 Testpoint 0.8mm



Title: TE0782 - FPGA B12		
A4	Number: TE0782 A2133FA	Rev. 02
Date: 2015-05-27	Copyright: Trenz Electronic GmbH	Page 14 of 31
Filename: B12.SchDoc		

TP2
 VCCIO_13
 Testpoint 0.8mm



	Title: TE0782 - FPGA B13		
	A4	Number: TE0782 A2I33FA	Rev. 02
	Date: 2015-05-27	Copyright: Trenz Electronic GmbH	Page15 of 31
	Filename: B13.SchDoc		

1

2

3

4

U_B33
B33.SchDoc



U_B34
B34.SchDoc



U_B35
B35.SchDoc



A

A

B


B

C

C

D

D


			Title: TES0782 - FPGA HP Banks		
			A4	Number: TE0782 A2I33FA	Rev. 02
Date: 2015-05-27		Copyright: Trenz Electronic GmbH		Page 16 of 31	
Filename: HP-BANKS.SchDoc					

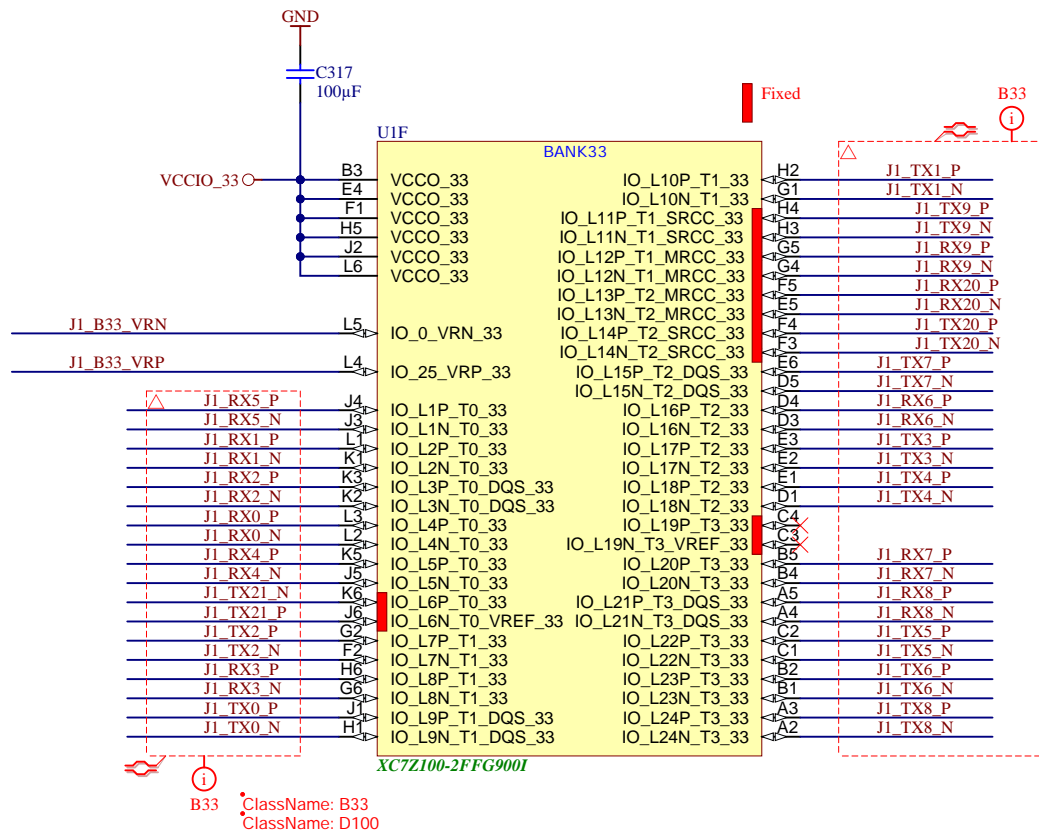
1


2


3

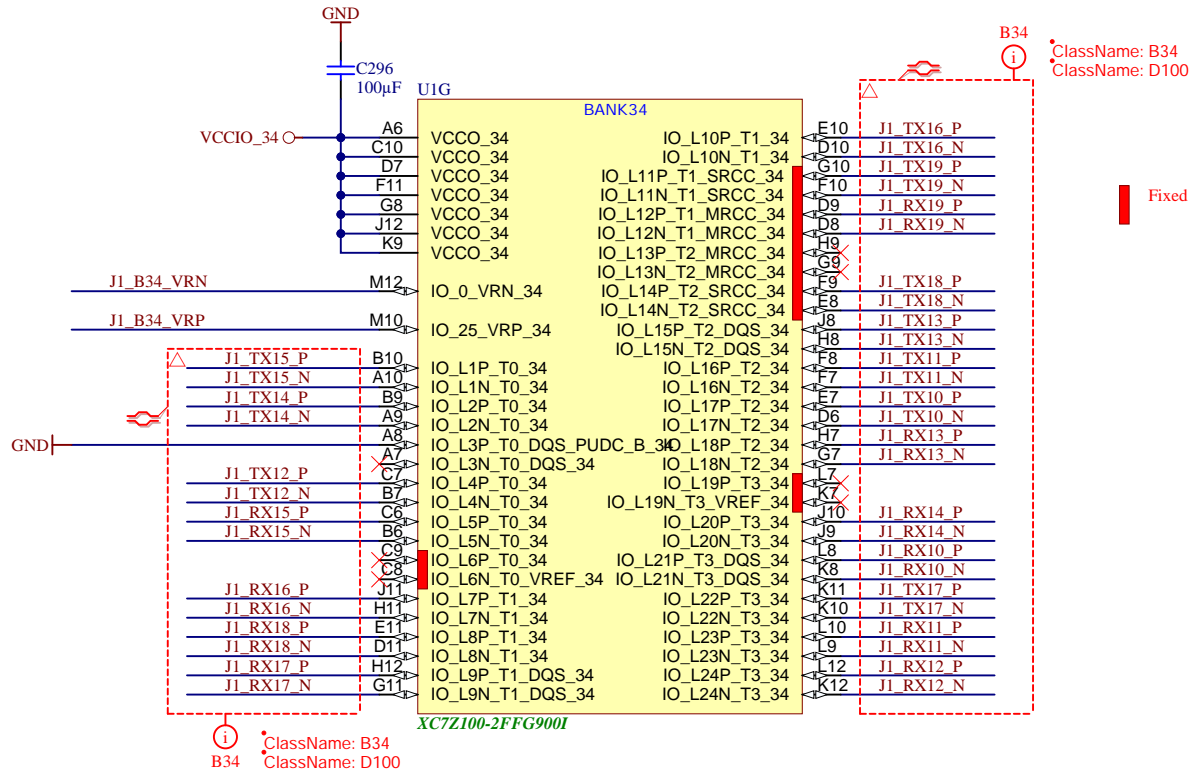
4

TP6
 VCCIO_33
 Testpoint 0.8mm

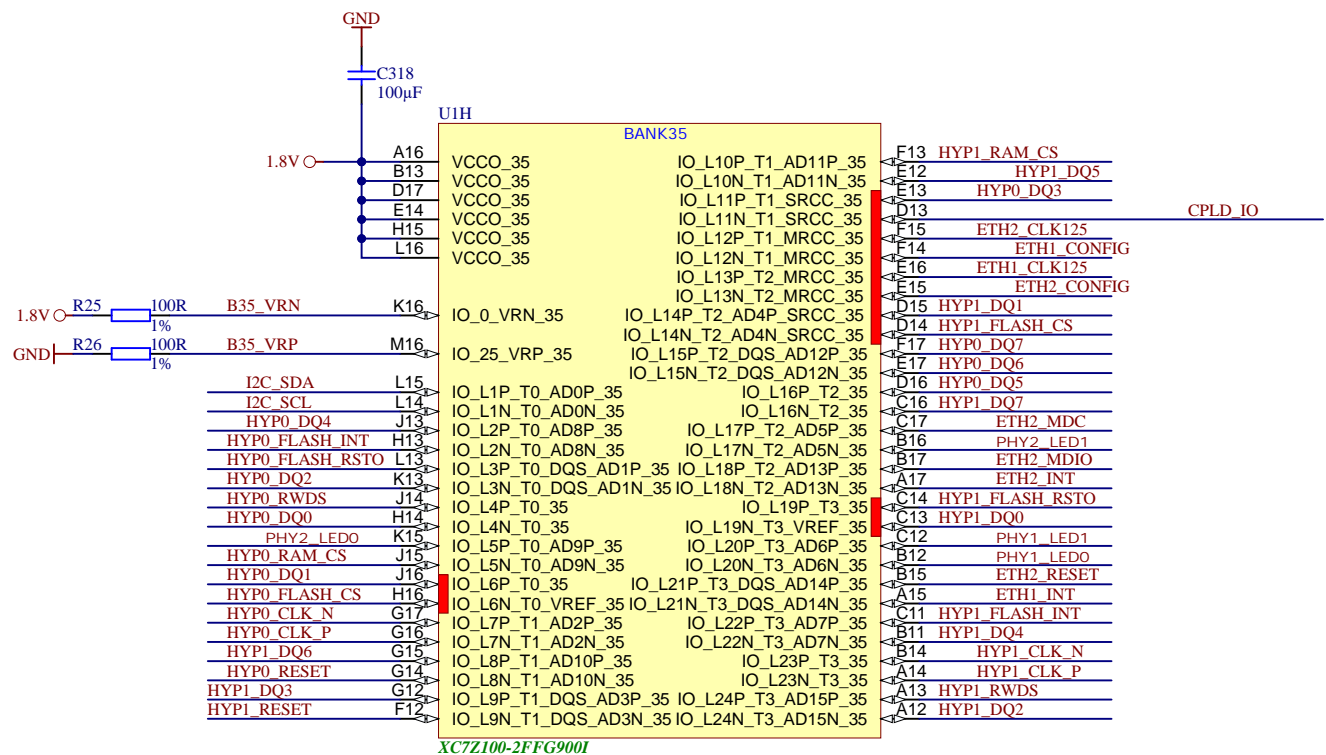



	Title: TE0782 - FPGA B33		
	A4	Number: TE0782 A2I33FA	Rev. 02
	Date: 2015-05-27	Copyright: Trenz Electronic GmbH	Page 17 of 31
	Filename: B33.SchDoc		

TP3
 VCCIO_34
 Testpoint 0.8mm

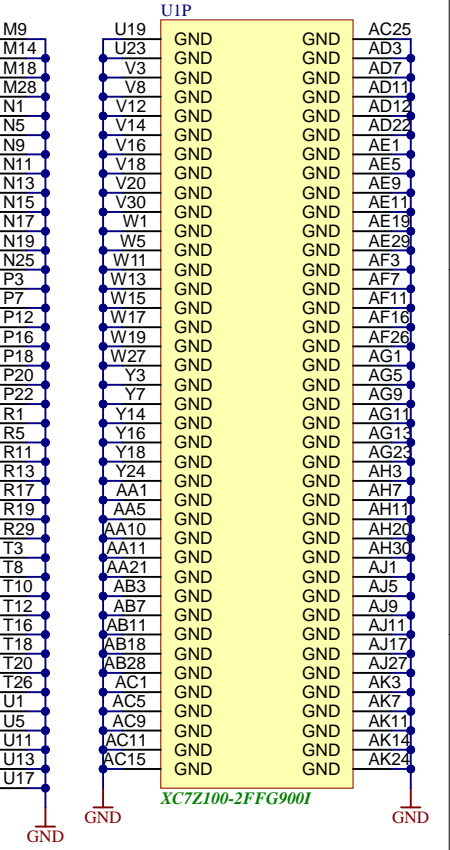
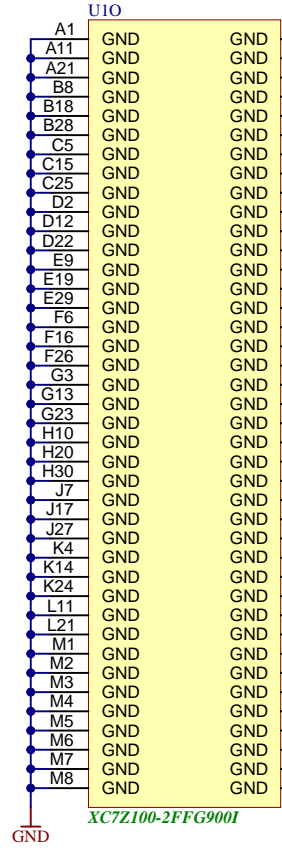
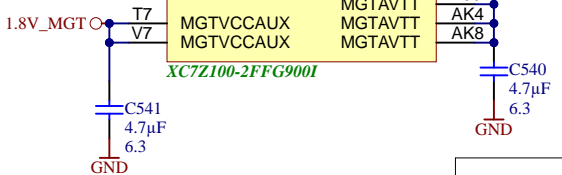
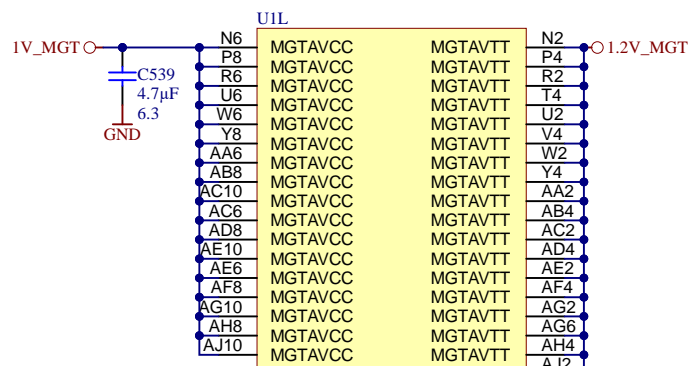
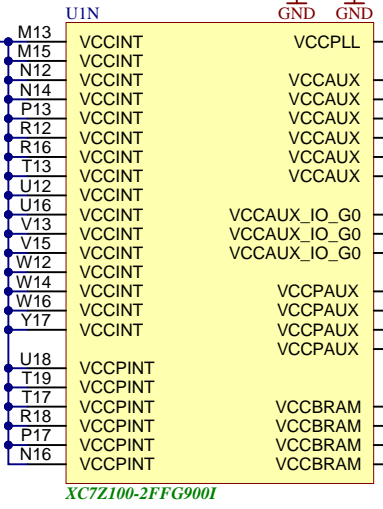
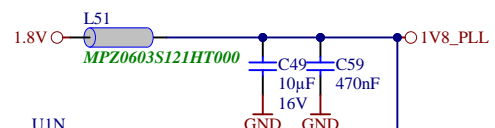
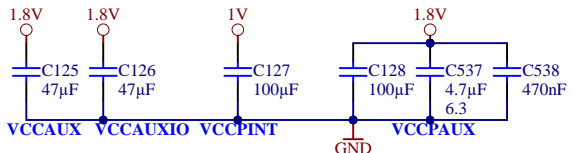
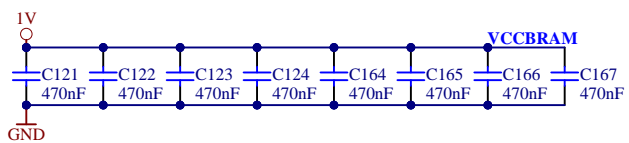
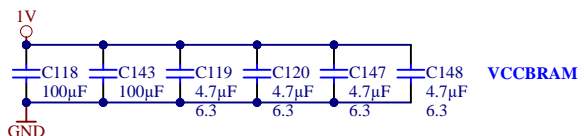
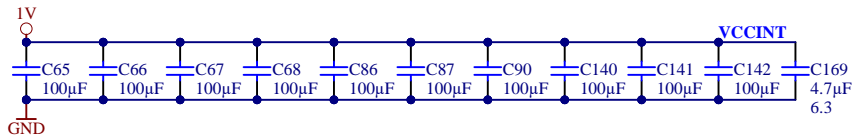
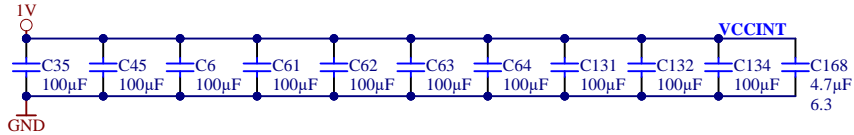


Title: TE0782 - FPGA B34		
A4	Number: TE0782 A2I33FA	Rev. 02
Date: 2015-05-27	Copyright: Trenz Electronic GmbH	Page 18 of 31
Filename: B34.SchDoc		

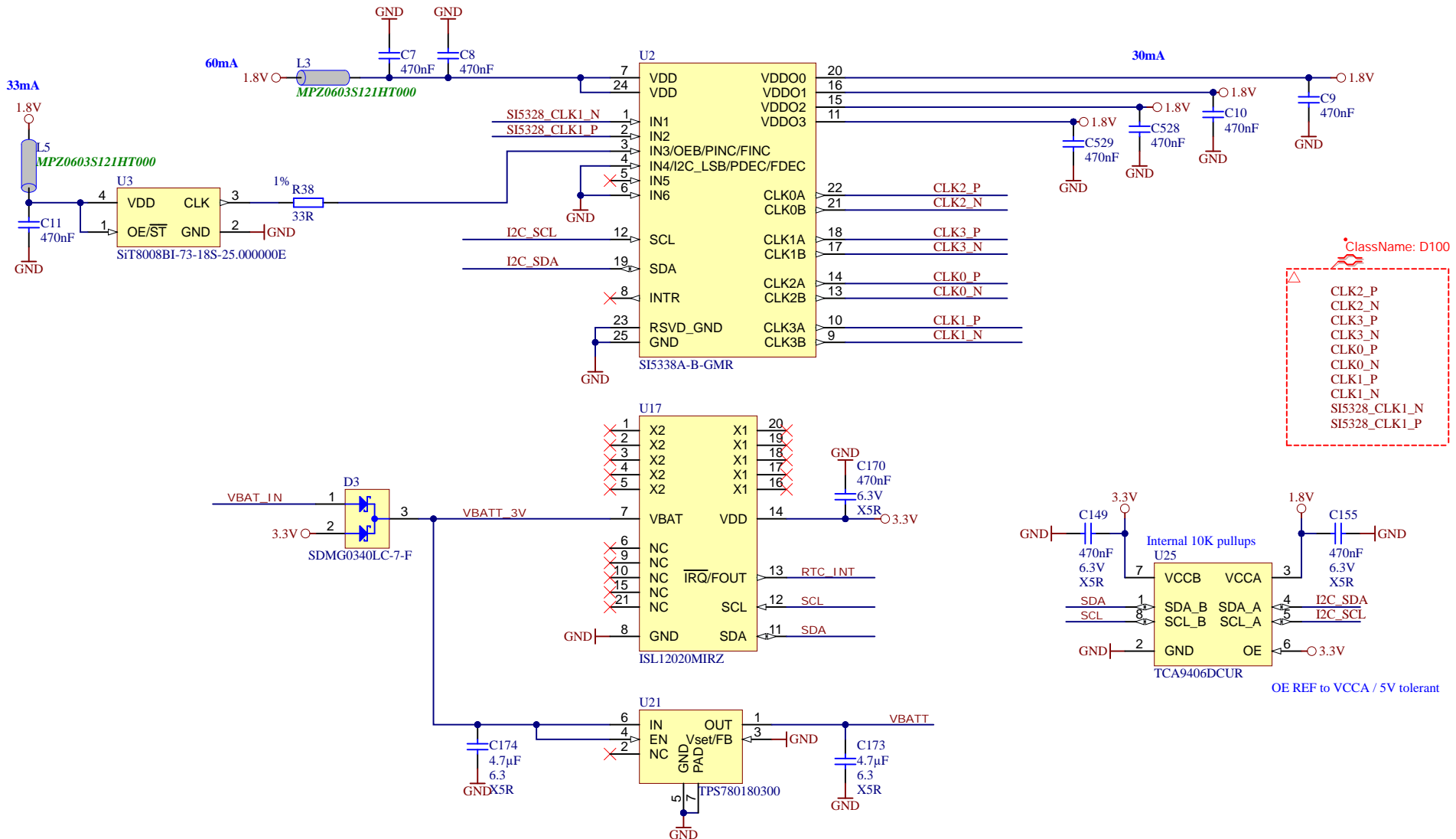



Title: TE0782 - FPGA B35		
A4	Number: TE0782 A2I33FA	Rev. 02
Date: 2015-05-27	Copyright: Trenz Electronic GmbH	Page 19 of 31
Filename: B35.SchDoc		

Capacitors suitable for XC7Z100



Title: TE0782 - ZYNQ POWER		
A4	Number: TE0782 A2I33FA	Rev. 02
Date: 2015-05-27	Copyright: Trenz Electronic GmbH	
Page 20 of 31		
Filename: FPGA-PWR.SchDoc		



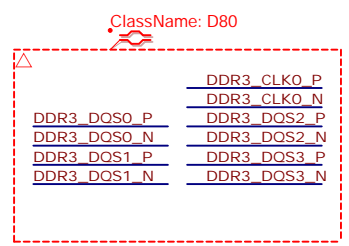
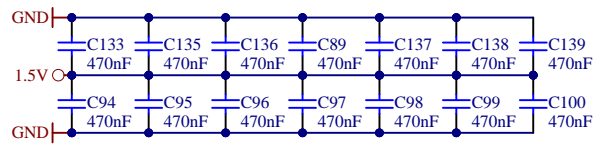
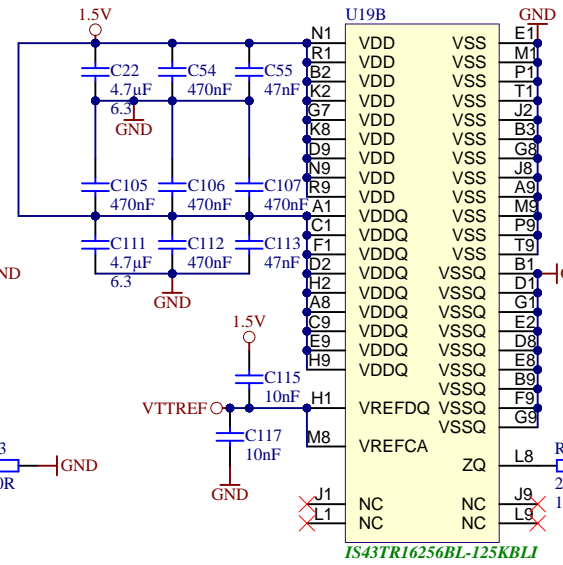
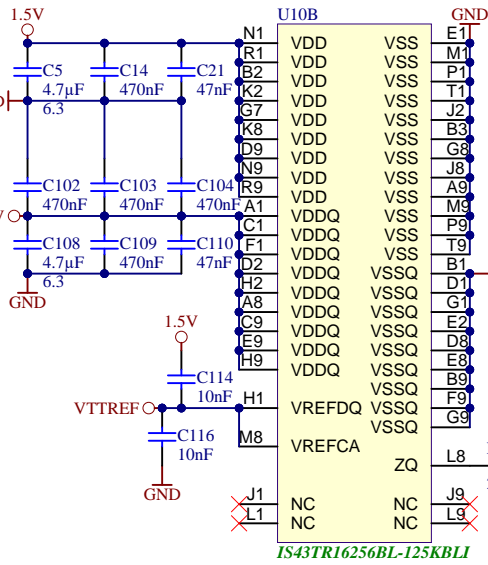
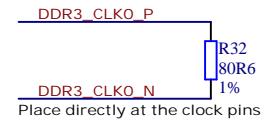
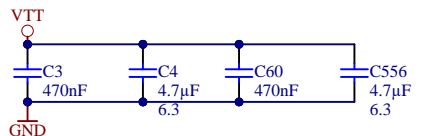
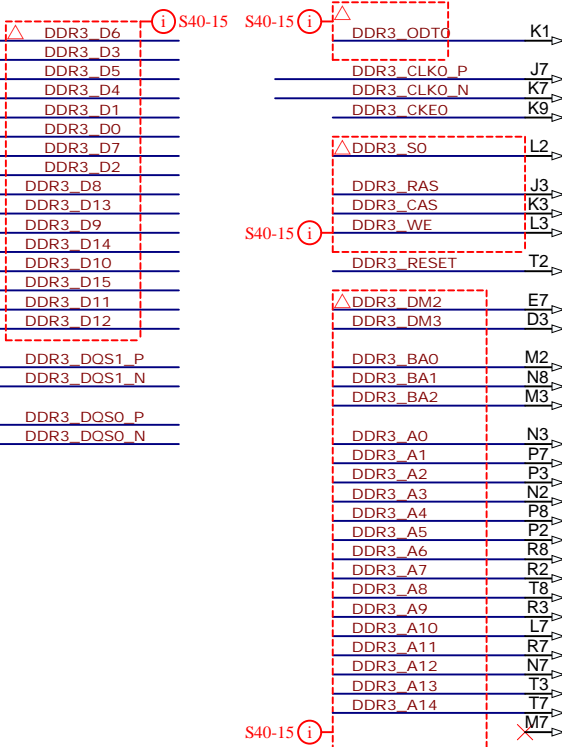
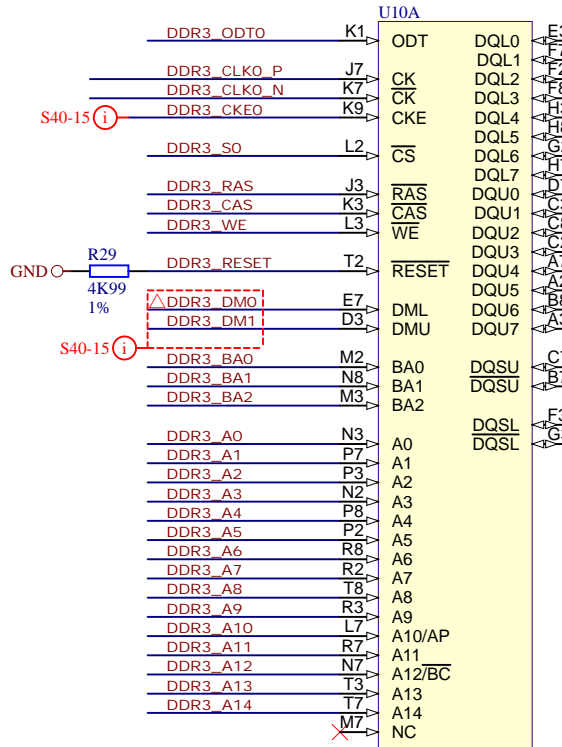
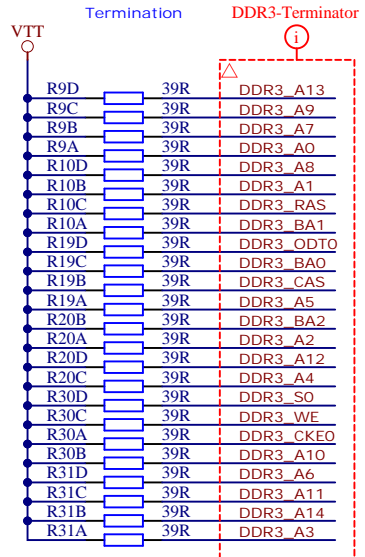
ClassName: D100

CLK2_P
 CLK2_N
 CLK3_P
 CLK3_N
 CLK0_P
 CLK0_N
 CLK1_P
 CLK1_N
 SI5328_CLK1_N
 SI5328_CLK1_P

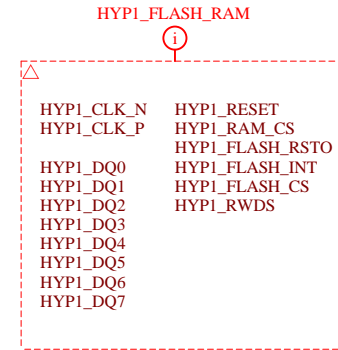
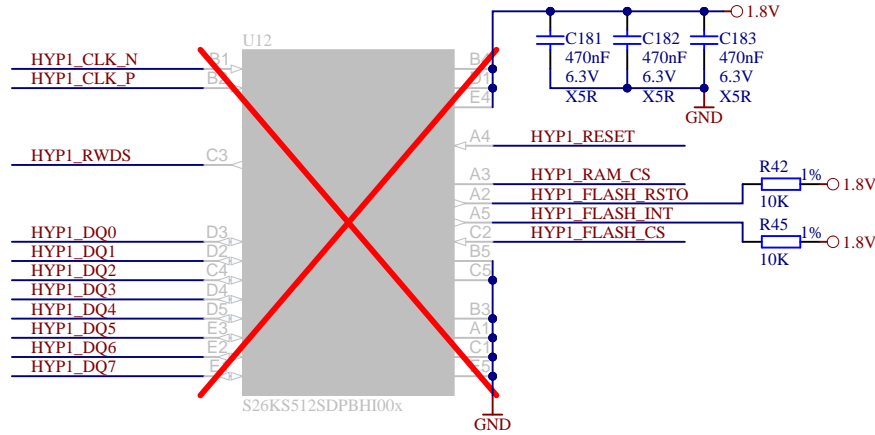
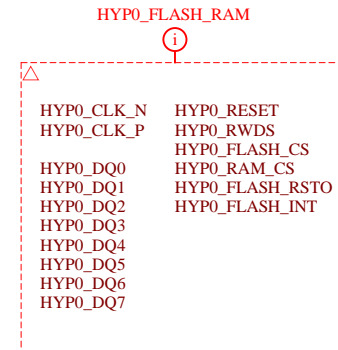
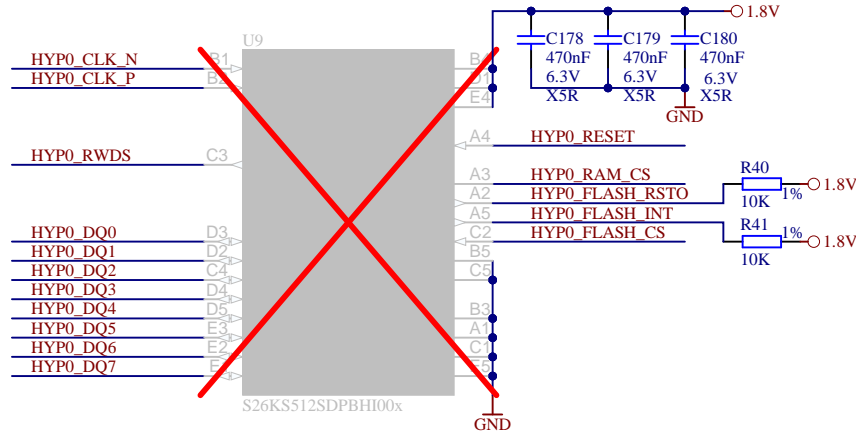
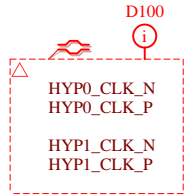

OE REF to VCCA / 5V tolerant



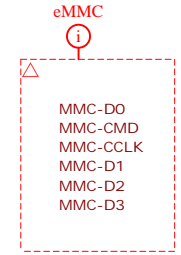
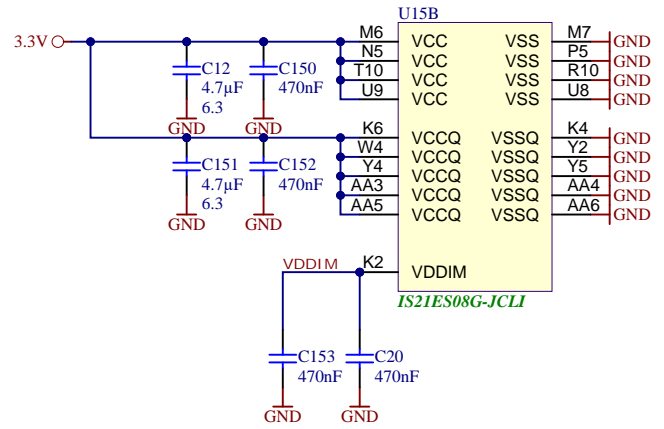
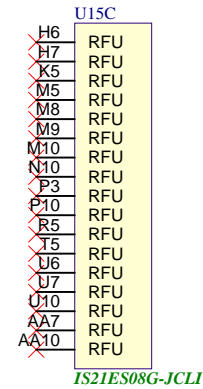
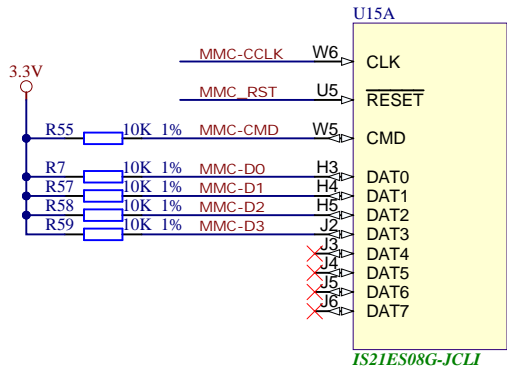
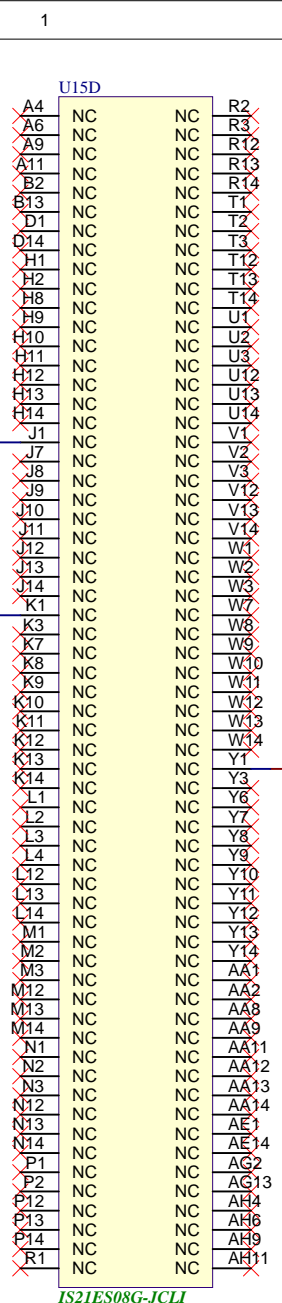
Title: TE0782 - Clock		
A4	Number: TE0782 A2133FA	Rev. 02
Date: 2015-05-27	Copyright: Trenz Electronic GmbH	Page21 of 31
Filename: Clock.SchDoc		



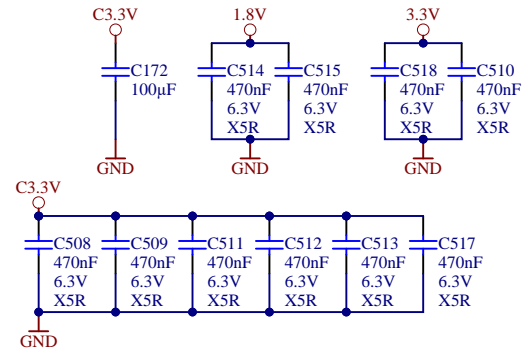
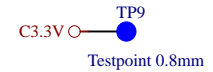
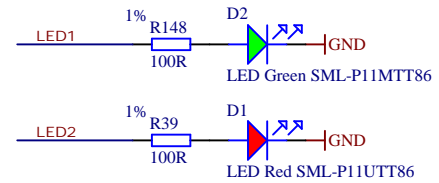
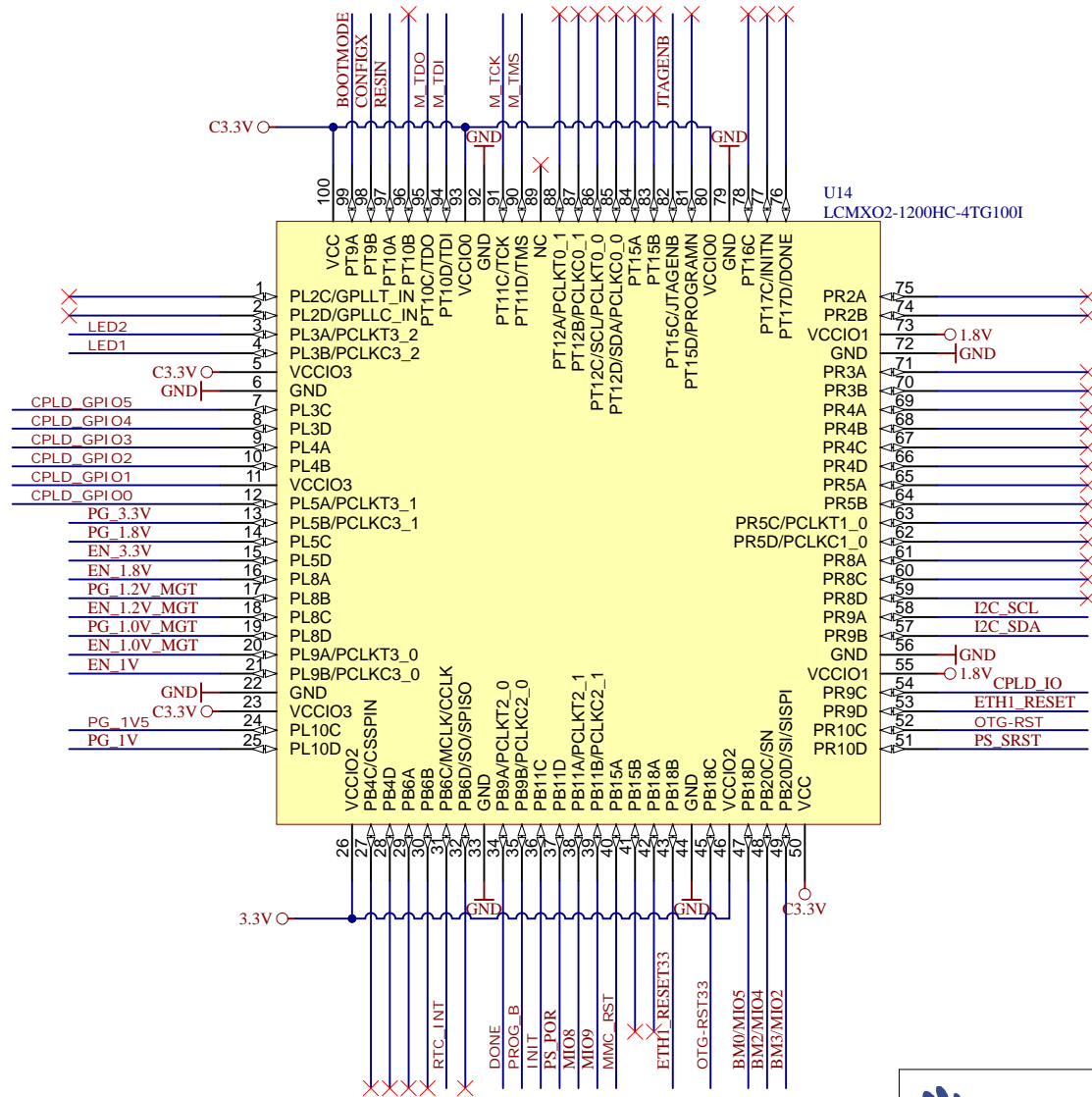
Title: TE0782 - DDR3 RAM		
A4	Number: TE0782 A2133FA	Rev. 02
Date: 2015-05-27	Copyright: Trenz Electronic GmbH	Page 22 of 31
Filename: DDR3-RAM.SchDoc		





Title: TE0782 - HyperFlash_RAM		
A4	Number: TE0782 A2I33FA	Rev. 02
Date: 2015-05-27	Copyright: Trenz Electronic GmbH	Page23 of 31
Filename: HyperFlash_RAM.SchDoc		

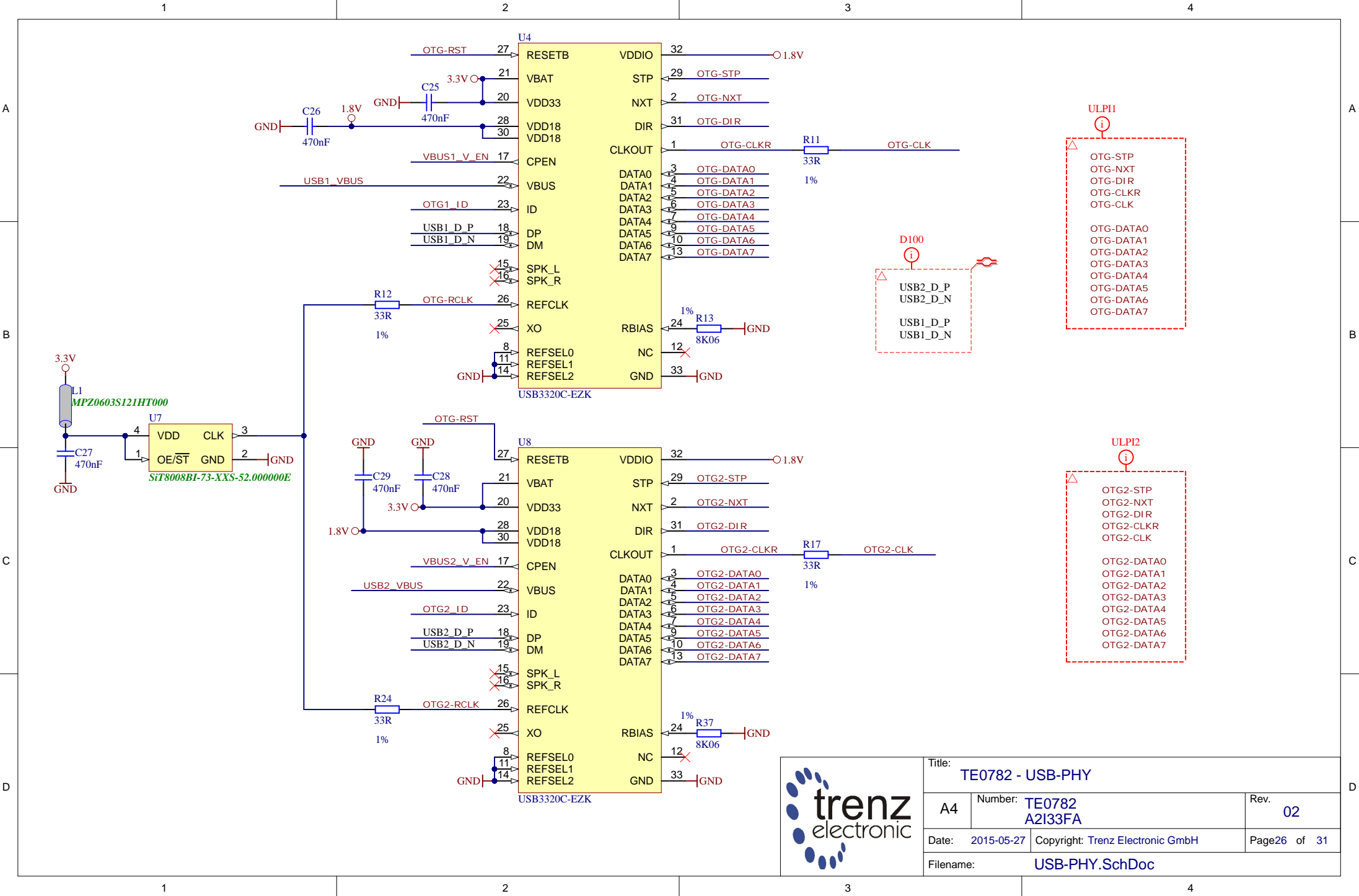



Title: TE0782 - eMMC		
A4	Number: TE0782 A2133FA	Rev. 02
Date: 2015-05-27	Copyright: Trenz Electronic GmbH	
Page 24 of 31		Filename: eMMC.SchDoc





Title: TE0782 - CPLD		
A4	Number: TE0782 A2133FA	Rev. 02
Date: 2015-05-27	Copyright: Trenz Electronic GmbH	
Page 25 of 31		
Filename: CPLD.SchDoc		



			Title: TE0782 - USB-PHY	
			A4	Number: TE0782 A2133FA
Date: 2015-05-27		Copyright: Trenz Electronic GmbH		Page 26 of 31
Filename: USB-PHY.SchDoc				

1

2

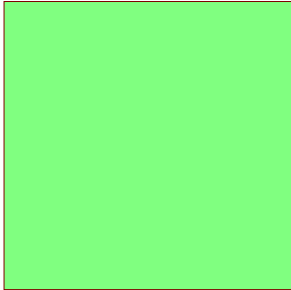
3

4

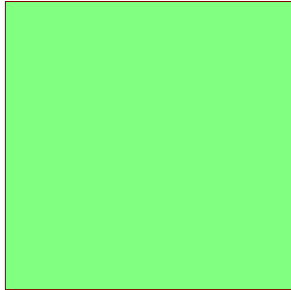
A

A

U_ETH1
ETH1.SchDoc



U_ETH2
ETH2.SchDoc



B

B

C

C

D

D



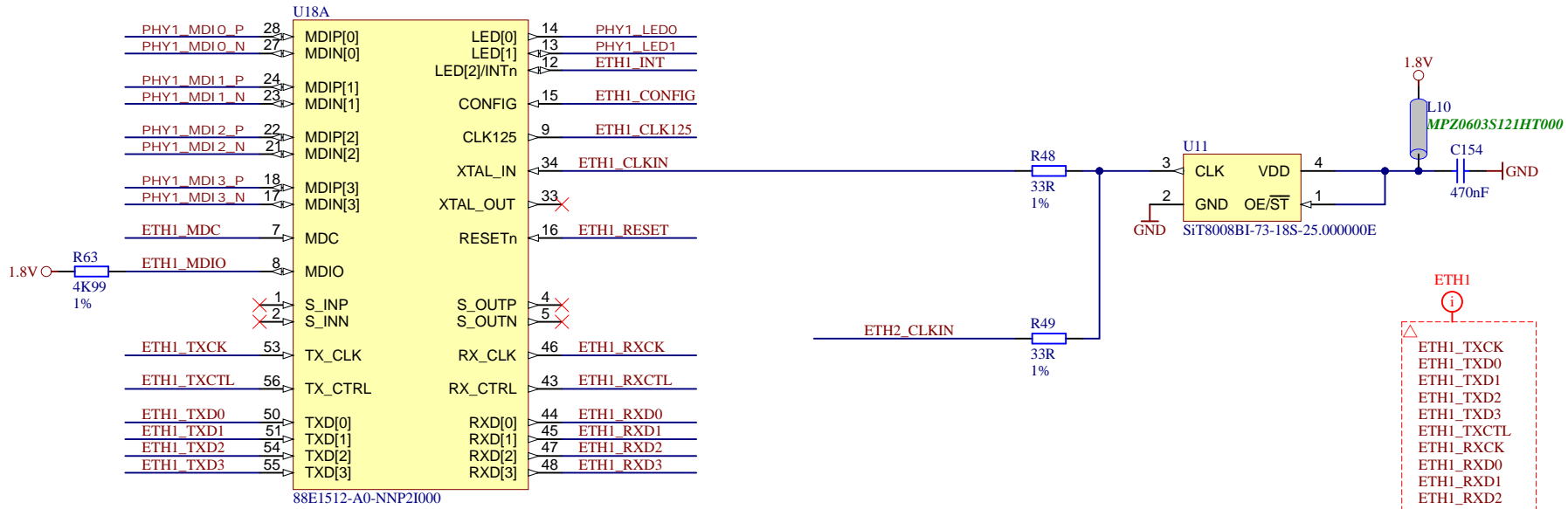
Title: TE0782 - Ethernet		
A4	Number: TE0782 A2I33FA	Rev. 02
Date: 2015-05-27	Copyright: Trenz Electronic GmbH	Page 27 of 31
Filename: Ethernet.SchDoc		

1

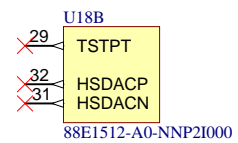
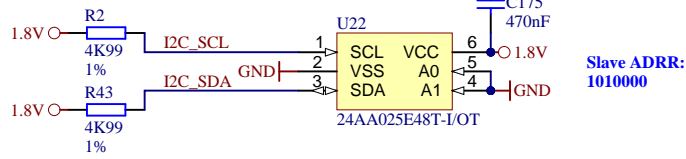
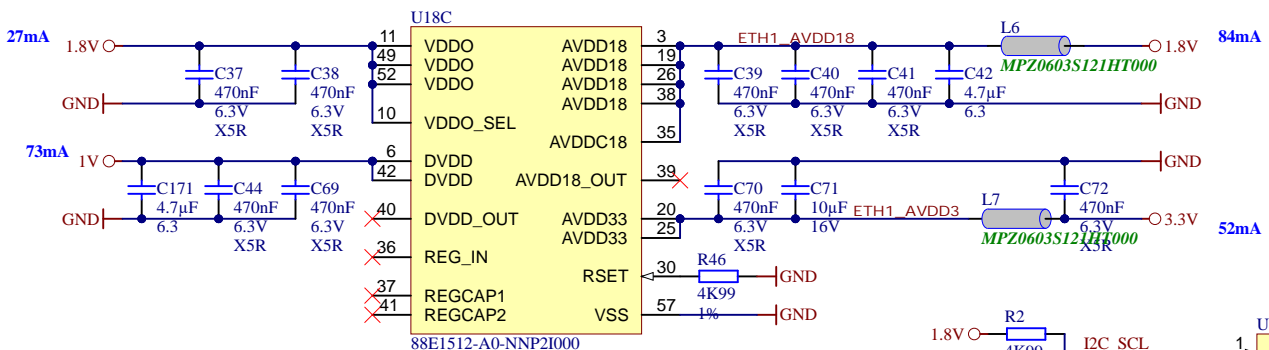
2


3

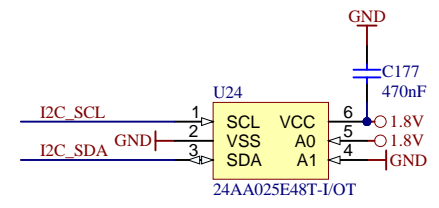
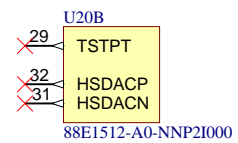
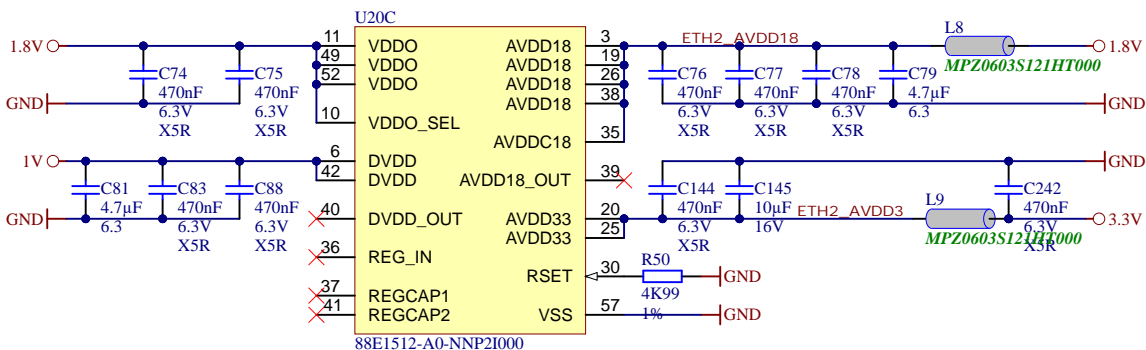
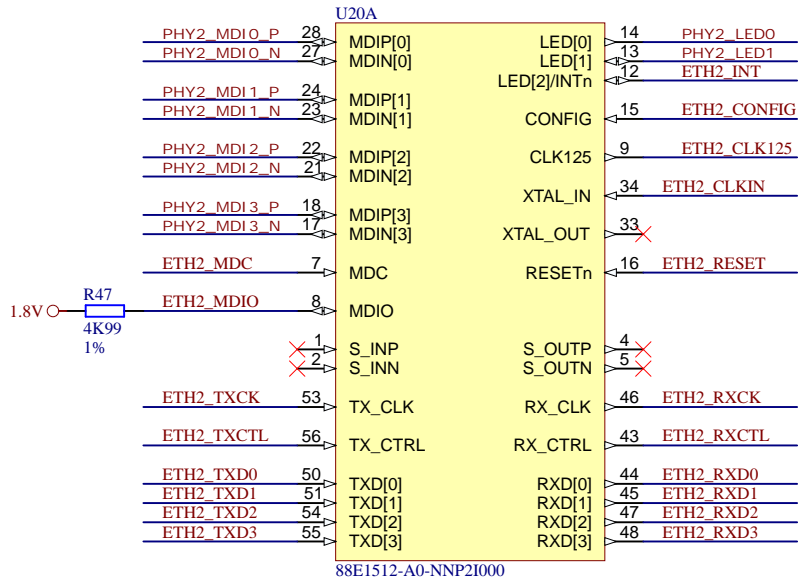
4




- ETH1**
- ETH1_TXCK
 - ETH1_TXD0
 - ETH1_TXD1
 - ETH1_TXD2
 - ETH1_TXD3
 - ETH1_TXCTL
 - ETH1_RXCK
 - ETH1_RXD0
 - ETH1_RXD1
 - ETH1_RXD2
 - ETH1_RXD3
 - ETH1_RXCTL
 - ETH1_MDC
 - ETH1_MDIO
- PHY1_LED0
PHY1_LED1
ETH1_INT
ETH1_CONFIG
ETH1_CLK125
ETH1_RESET

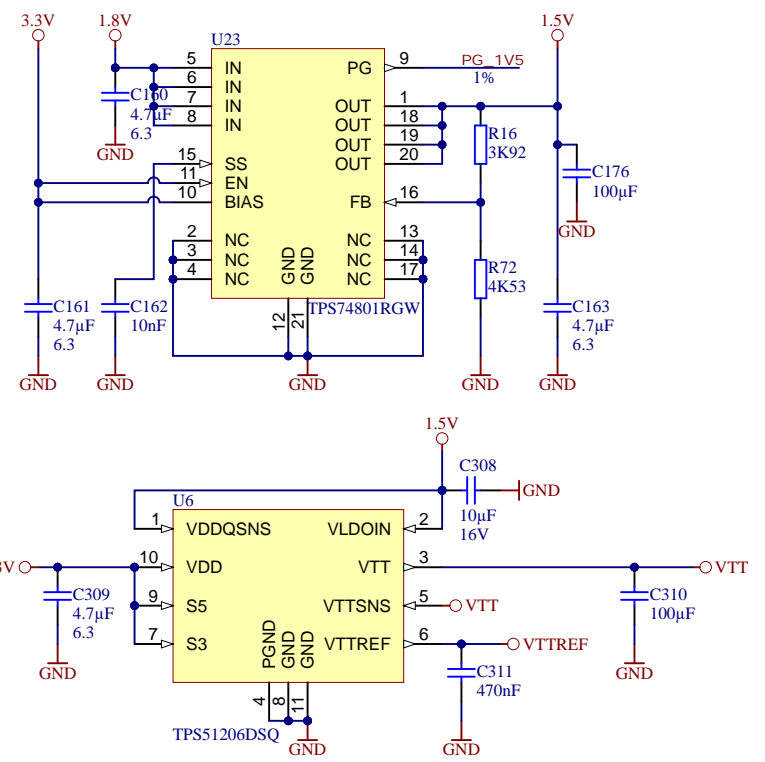
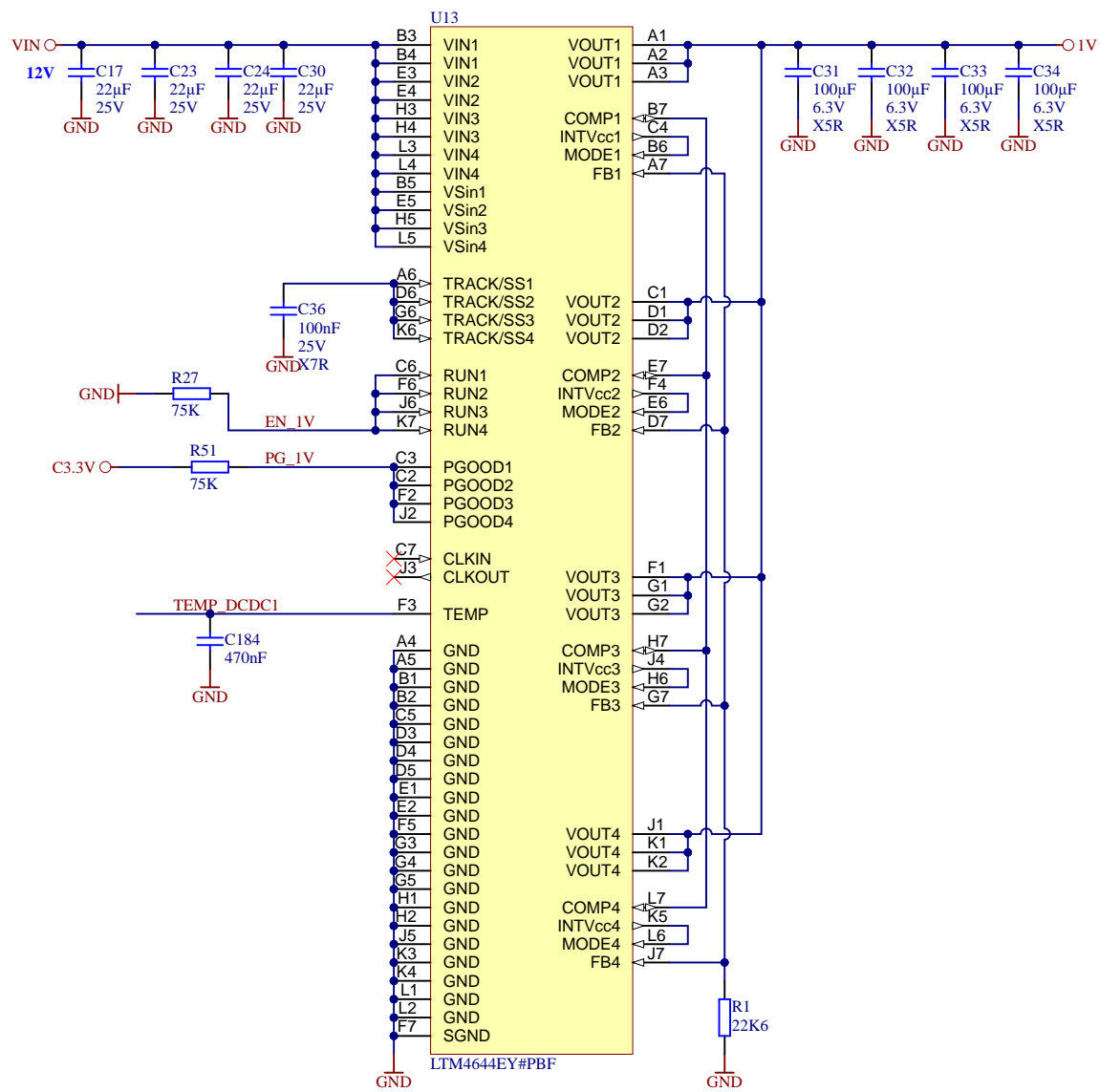


			Title: TE0782 - ETH_PHY1	
			A4	Number: TE0782 A2133FA
Date: 2015-05-27		Copyright: Trenz Electronic GmbH		Page 28 of 31
Filename: ETH1.SchDoc				




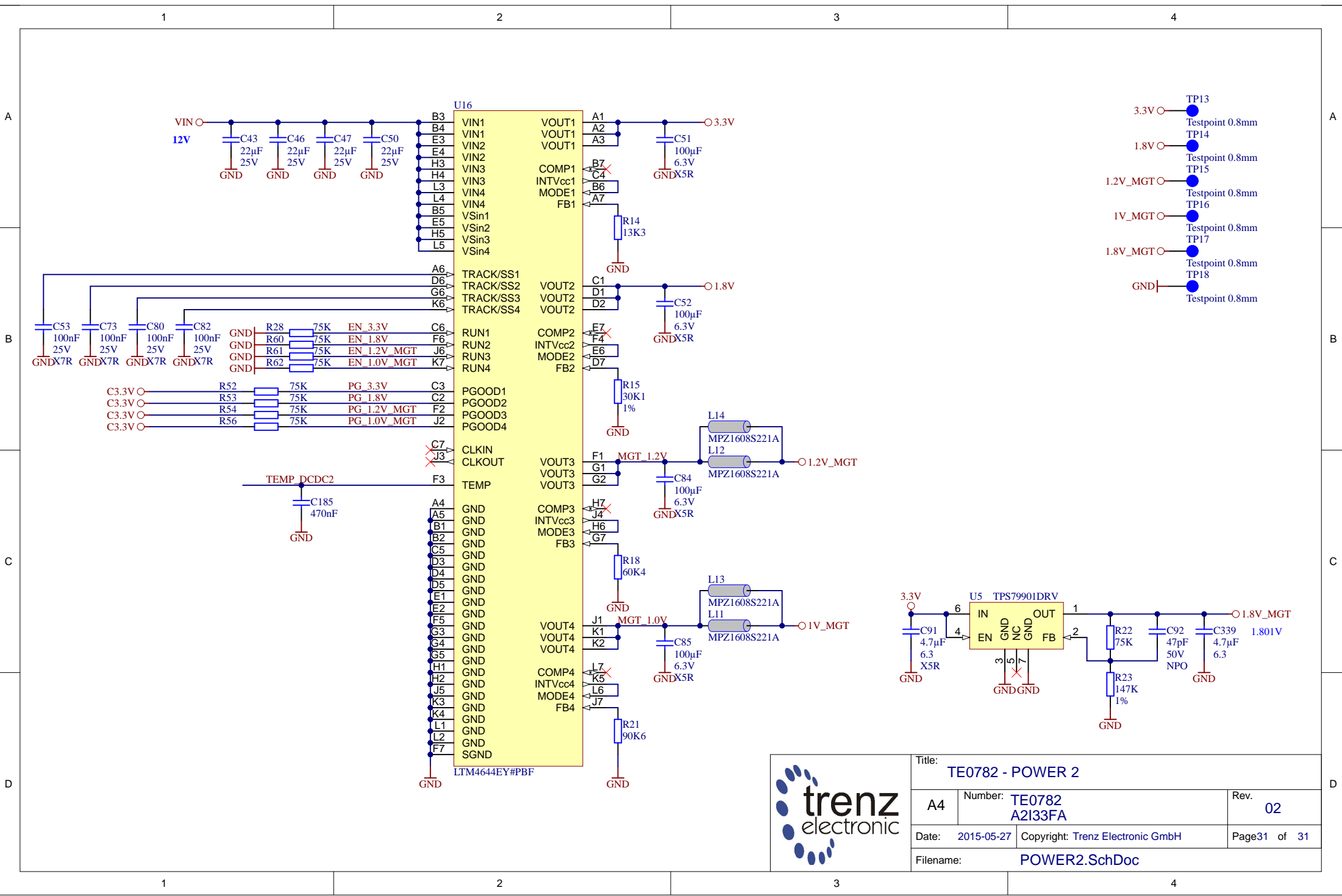
Slave ADDR:
1010001

			Title: TE0782 - ETH_PHY2	
			A4	Number: TE0782 A2133FA
Date: 2015-05-27		Copyright: Trenz Electronic GmbH		Page 29 of 31
Filename: ETH2.SchDoc				



- TP7 1V ○ ● Testpoint 0.8mm
- TP8 GND ○ ● Testpoint 0.8mm
- TP10 1.5V ○ ● Testpoint 0.8mm
- TP11 VTT ○ ● Testpoint 0.8mm
- TP12 VTTREF ○ ● Testpoint 0.8mm

			Title: TE0782 - POWER	
			A4	Number: TE0782 A2I33FA
Date: 2015-05-27		Copyright: Trenz Electronic GmbH		Page30 of 31
Filename: POWER.SchDoc				



- TP13 3.3V Testpoint 0.8mm
- TP14 1.8V Testpoint 0.8mm
- TP15 1.2V_MGT Testpoint 0.8mm
- TP16 1V_MGT Testpoint 0.8mm
- TP17 1.8V_MGT Testpoint 0.8mm
- TP18 GND Testpoint 0.8mm

		Title: TE0782 - POWER 2	
		A4	Number: TE0782 A2133FA
Date: 2015-05-27		Copyright: Trenz Electronic GmbH	
Page 31 of 31		Page 31 of 31	
Filename: POWER2.SchDoc			