

1

2

3

4

A

A

B

B

C

C

D

D

U_DDR3-RAM
DDR3-RAM.SchDoc

U_Ethernet
Ethernet.SchDoc

U_SOC
SOC.SchDoc

U_CPLD
CPLD.SchDoc

U_POWER2
POWER2.SchDoc

U_HyperFlash_RAM
HyperFlash_RAM.SchDoc

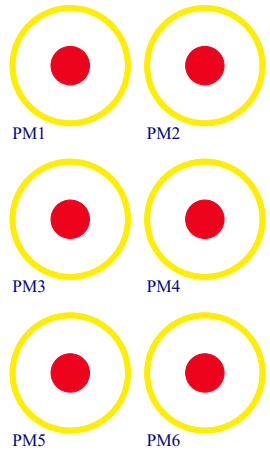
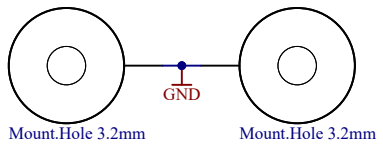
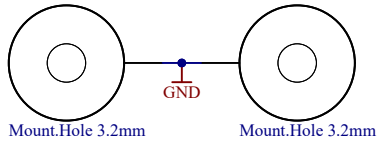
U_Clock
Clock.SchDoc

U_eMMC
eMMC.SchDoc

U_Connectors
Connectors.SchDoc

U_POWER
POWER.SchDoc

LOGO1
TE Logo PRINT Layer
LOGO PRINT



Serial
Serialnumber 6,3 x 6.3mm



Design drawn by: *

Checked by: *

Assembly variant: 92I33FA

Created by: MR

Modified by: MR

Modified at: 2021-03-17



Title: TE0784 - Overview		
A4	Number: TE0784 92I33FA	Rev. 01
Date: 25.06.2018	Copyright: Trenz Electronic GmbH	Page1 of 30
Filename: TE0784.SchDoc		

1

2

3

4

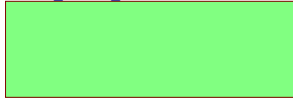
1

2

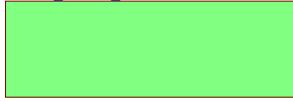
3

4

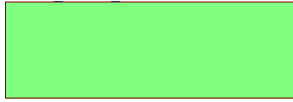
U_HSMC_CONN_J1
HSMC_CONN_J1.SchDoc



U_HSMC_CONN_J2
HSMC_CONN_J2.SchDoc



U_HSMC_CONN_J3
HSMC_CONN_J3.SchDoc



A

A

B


B

C

C

D

D

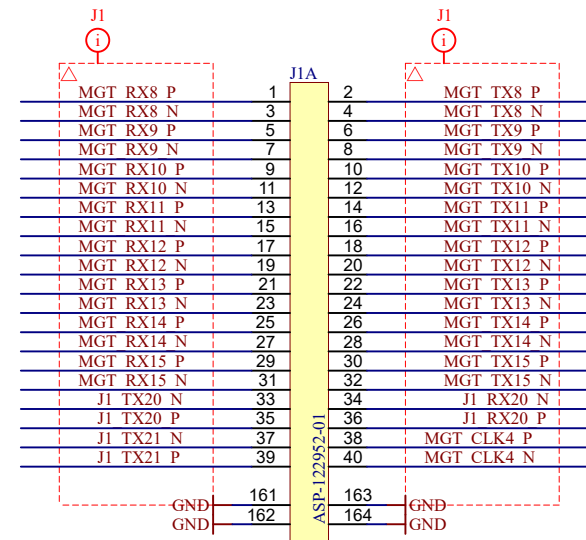
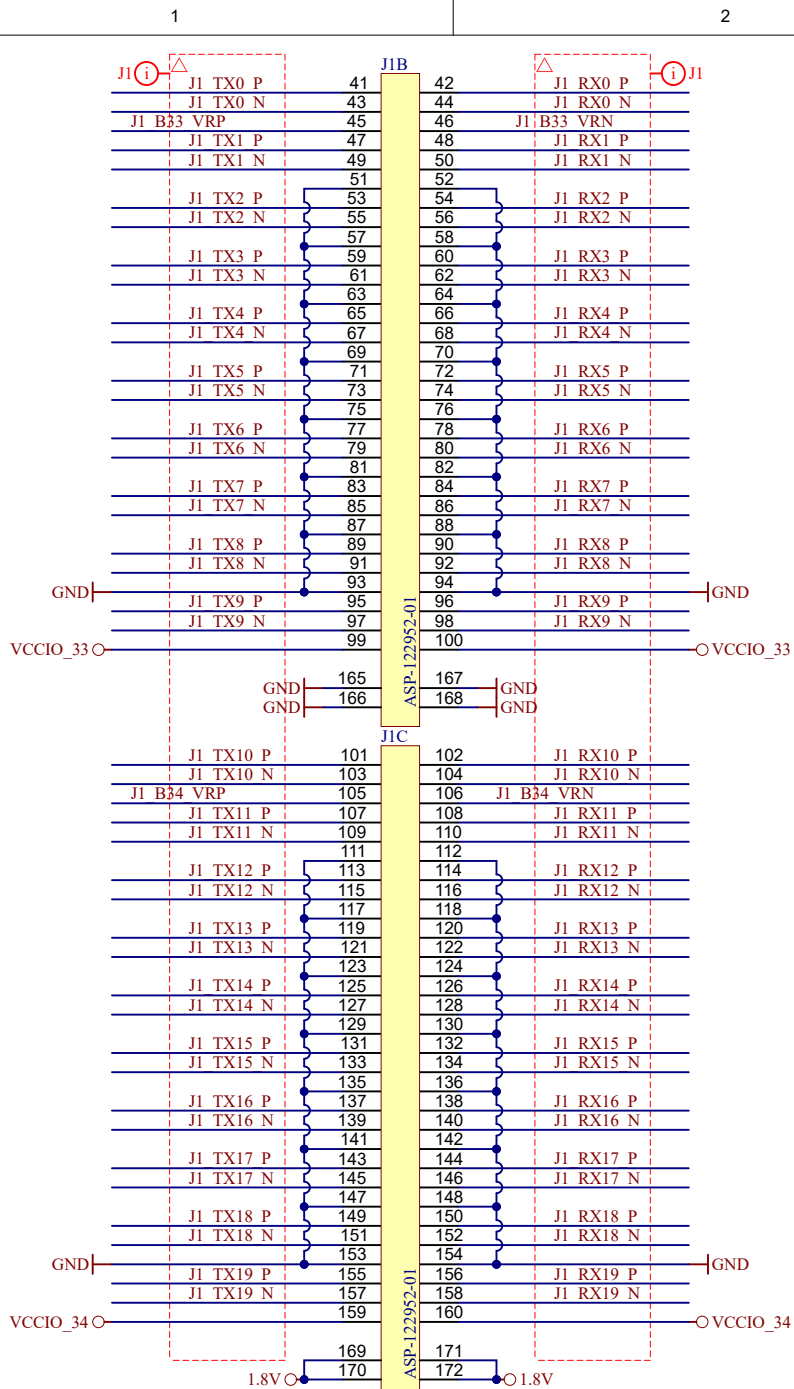
			Title: TE0784 - Connectors		
			A4	Number: TE0784 92I33FA	Rev. 01
Date: 25.06.2018		Copyright: Trenz Electronic GmbH		Page2 of 30	
Filename: Connectors.SchDoc					

1

2

3

4



Title: TE0784 - HSMC_Connector_J1		
A4	Number: TE0784 92I33FA	Rev. 01
Date: 25.06.2018	Copyright: Trenz Electronic GmbH	Page3 of 30
Filename: HSMC_CONN_J1.SchDoc		

A

A

B

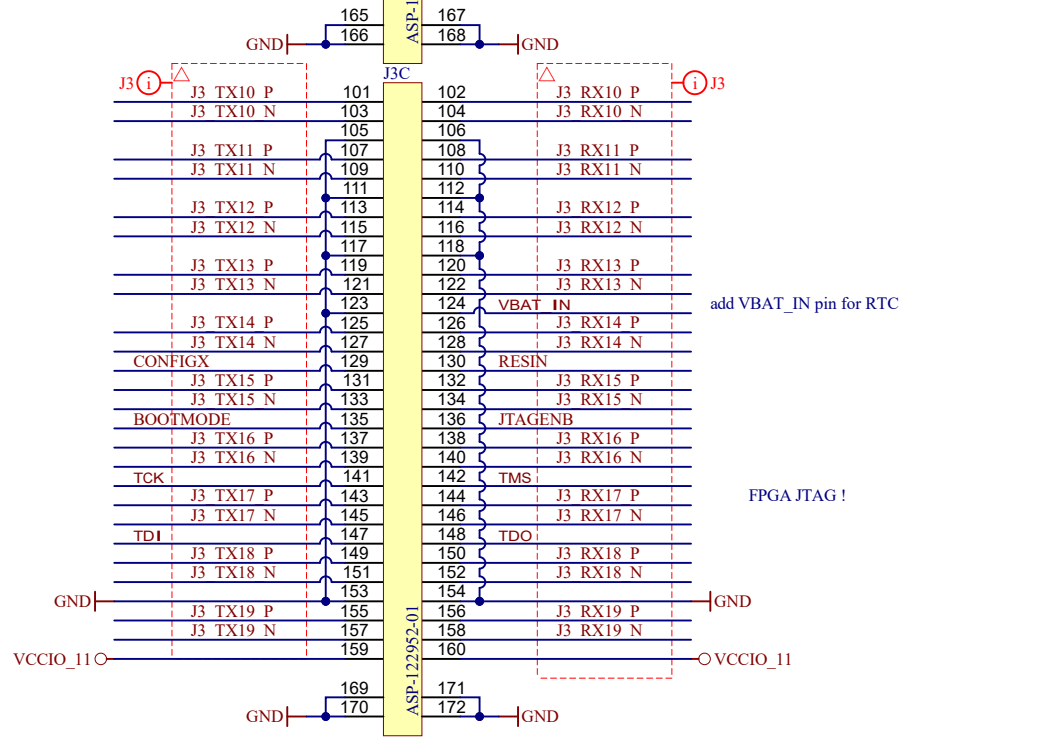
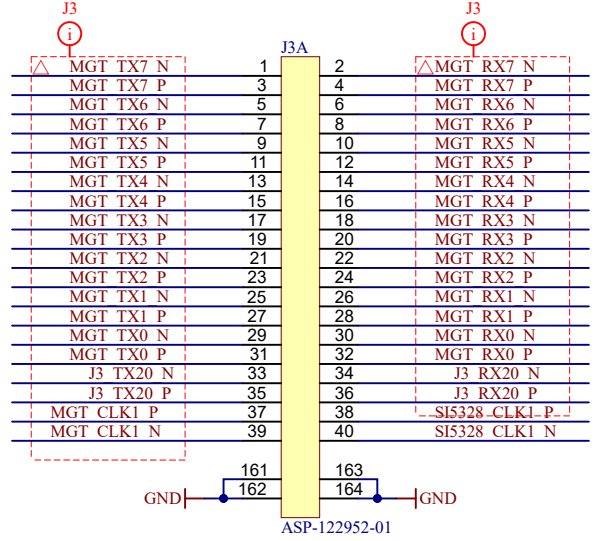
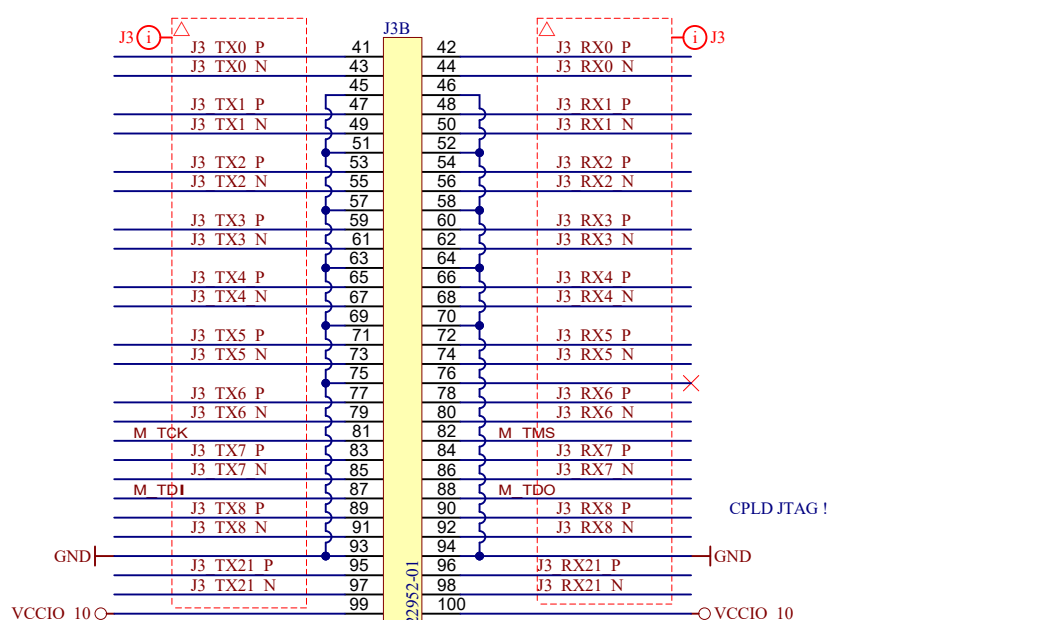
B

C

C

D

D



Title: TE0784 - HSMC_Connector_J3		
A4	Number: TE0784 92I33FA	Rev. 01
Date: 25.06.2018	Copyright: Trenz Electronic GmbH	Page4 of 30
Filename: HSMC_CONN_J3.SchDoc		

1

2

3

4

A

A

B

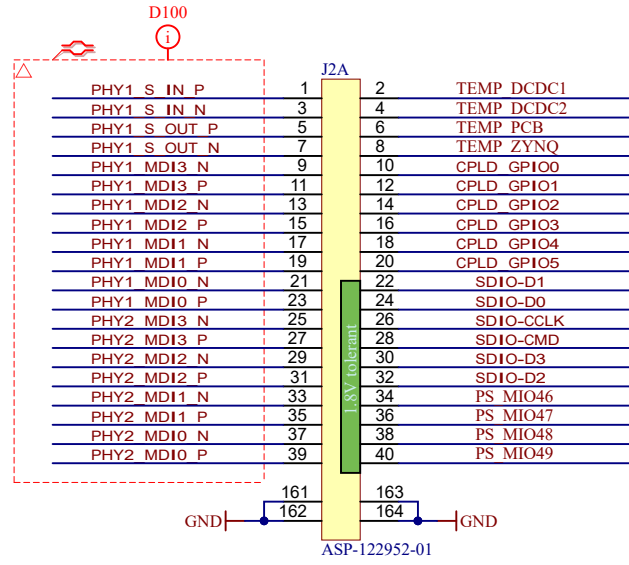
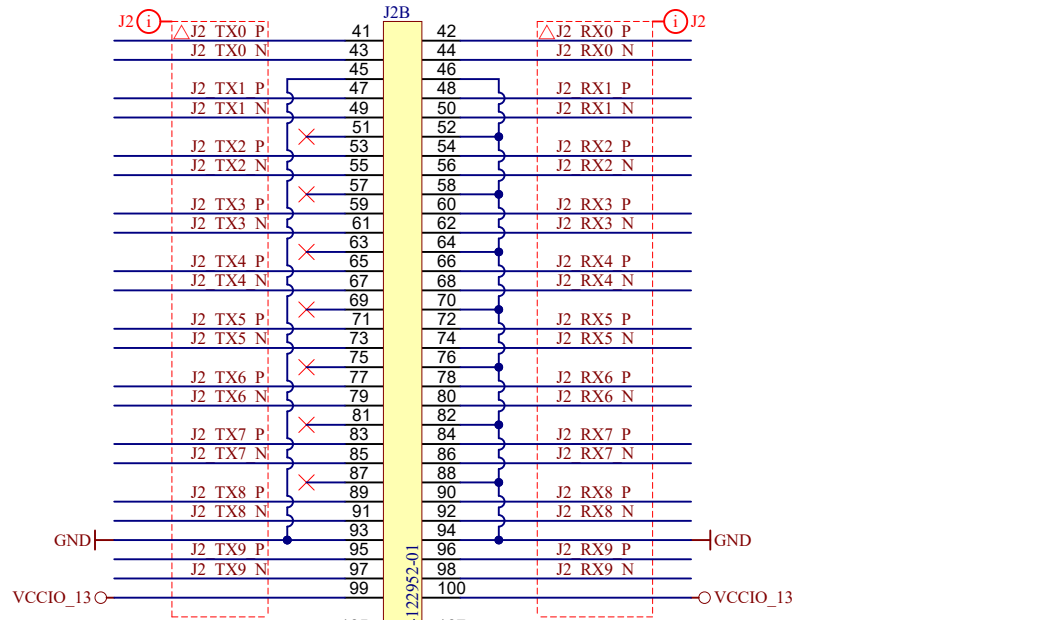
B

C

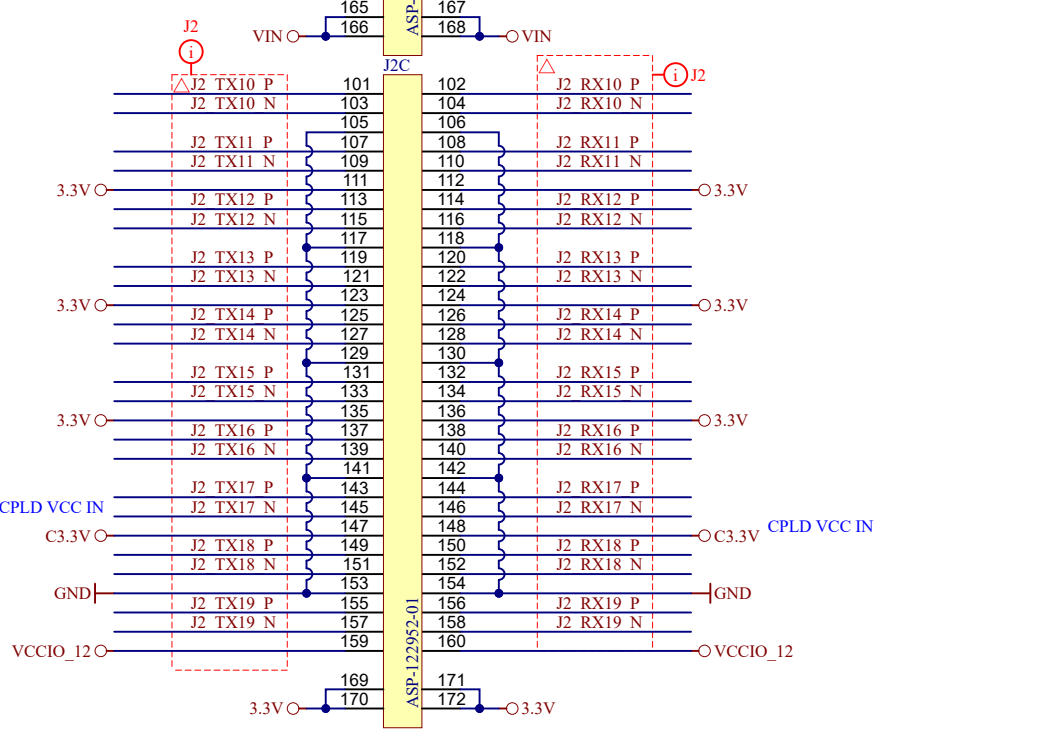
C

D

D



CPLD C3.3V



Title: TE0784 - HSMC_Connector_J2		
A4	Number: TE0784 92I33FA	Rev. 01
Date: 25.06.2018	Copyright: Trenz Electronic GmbH	Page5 of 30
Filename: HSMC_CONN_J2.SchDoc		

1

2

3

4

1

2

3

4

A

A

U_PS-DDR
PS-DDR.SchDoc



U_B9
B9.SchDoc



U_MIO-BANKS
MIO-BANKS.SchDoc



U_B10
B10.SchDoc



U_HP-BANKS
HP-BANKS.SchDoc



U_B11
B11.SchDoc



B

B

U_FPGA-MGT
FPGA-MGT.SchDoc



U_B12
B12.SchDoc



U_FPGA-CFG
FPGA-CFG.SchDoc



U_B13
B13.SchDoc



C


C

U_FPGA-PWR
FPGA-PWR.SchDoc



D

D

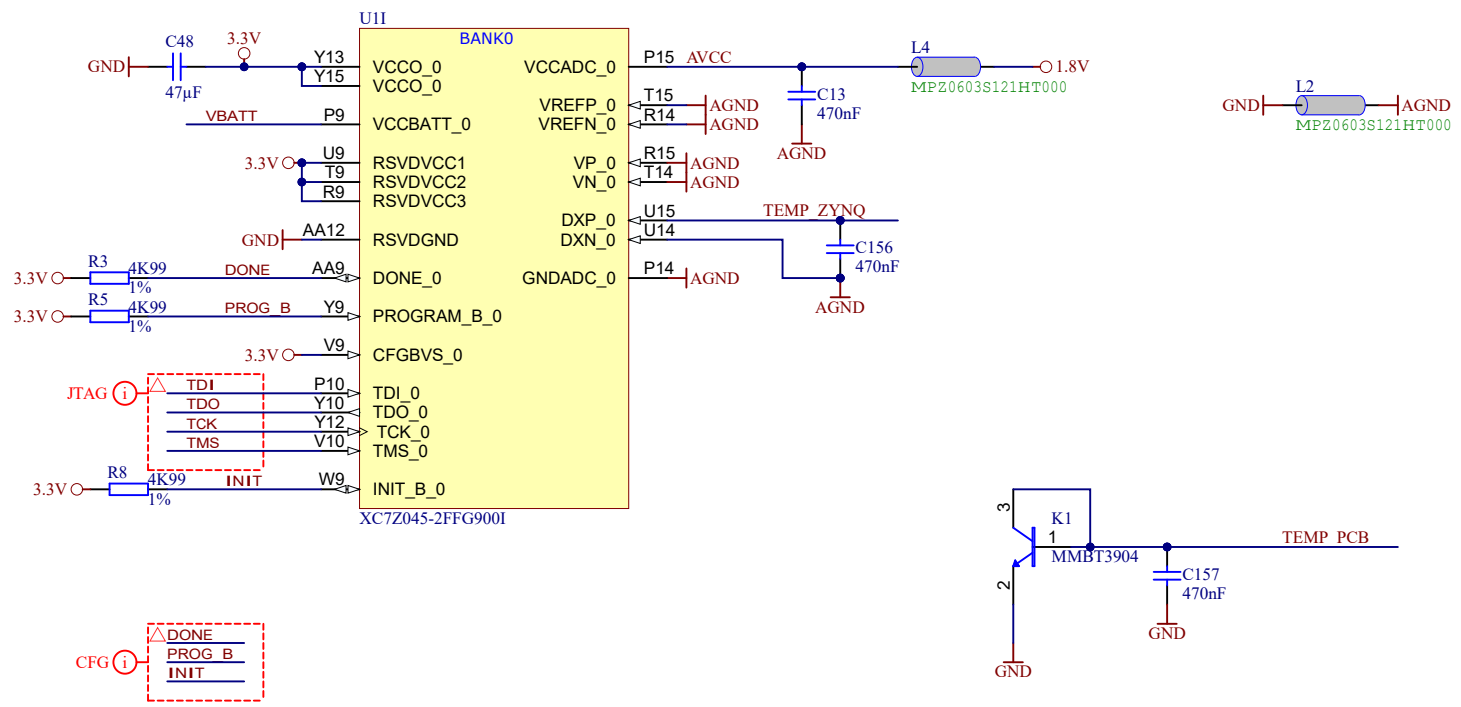
			Title: TE0784 - SOC		
			A4	Number: TE0784 92I33FA	Rev. 01
Date: 25.06.2018		Copyright: Trenz Electronic GmbH		Page6 of 30	
Filename: SOC.SchDoc					


1

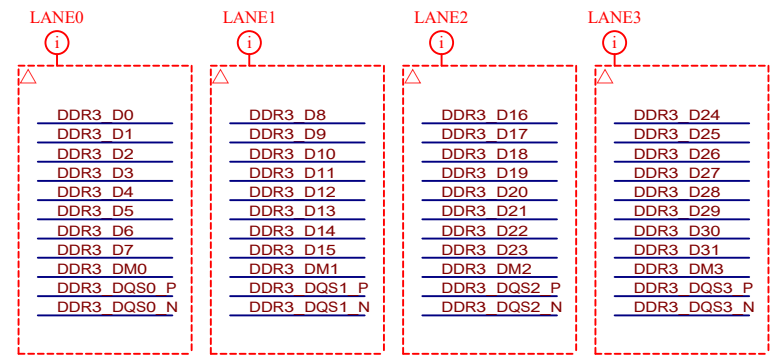
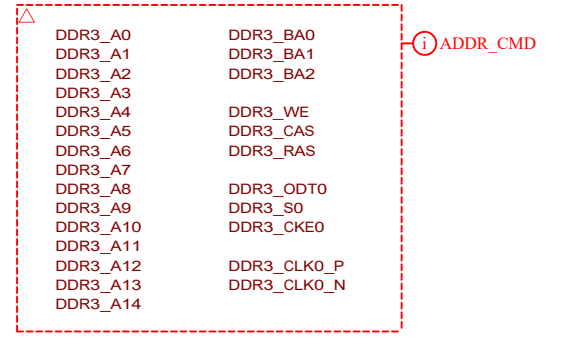
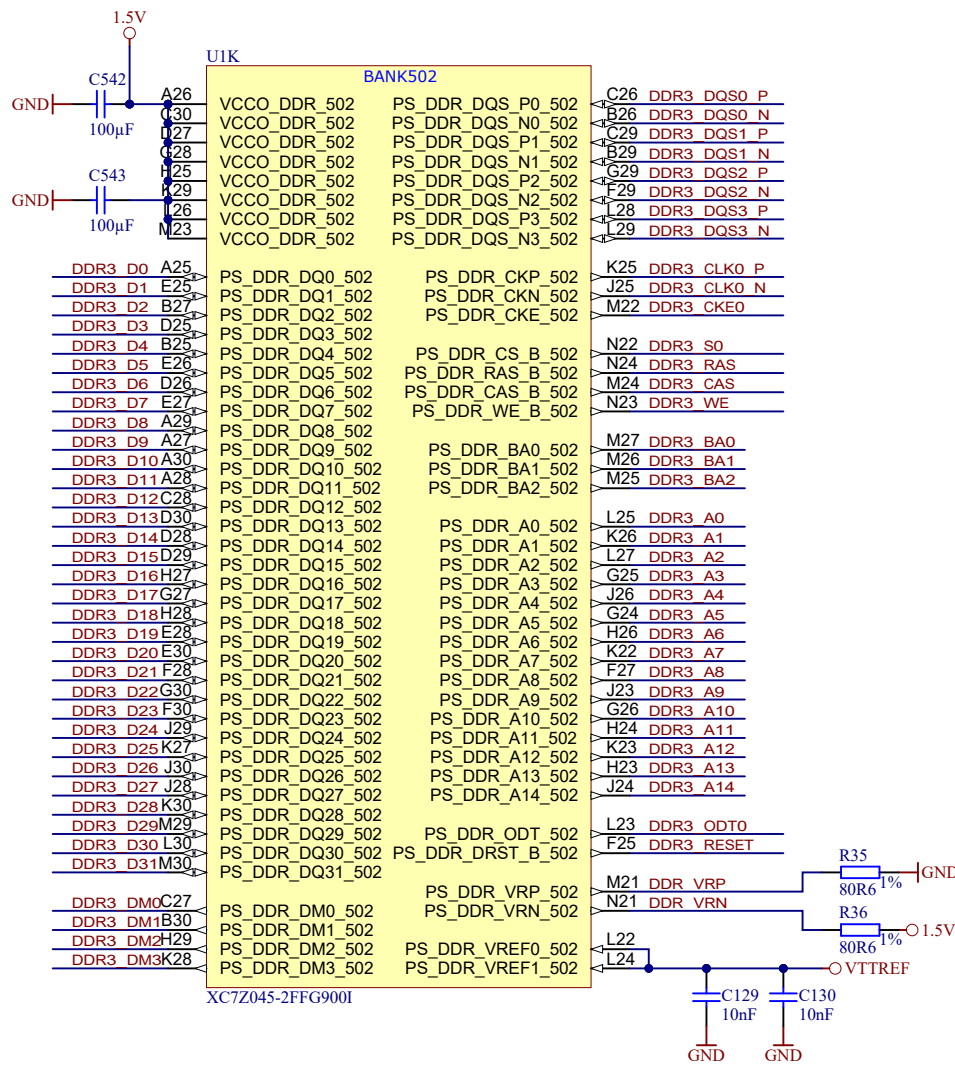
2

3

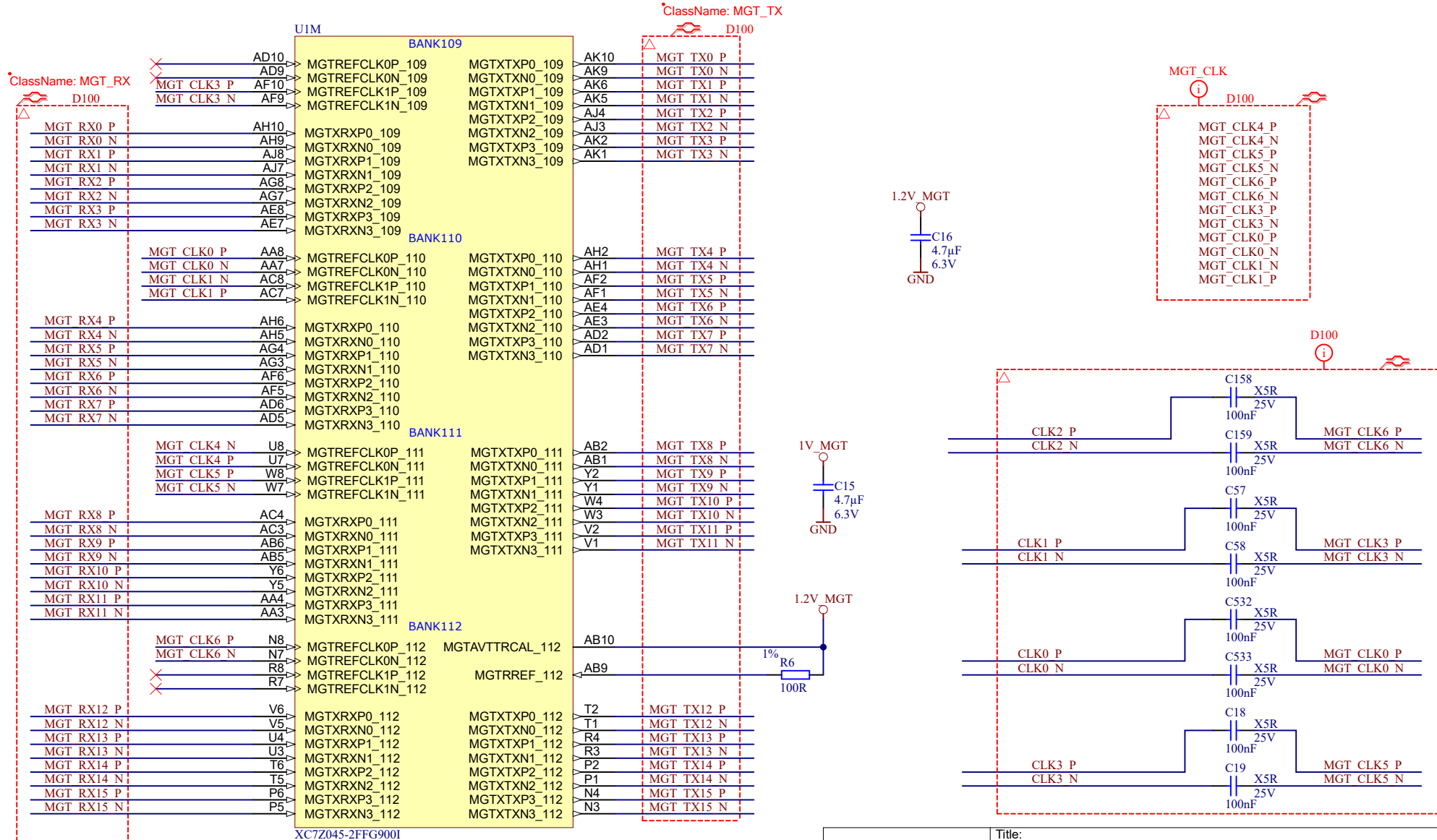
4



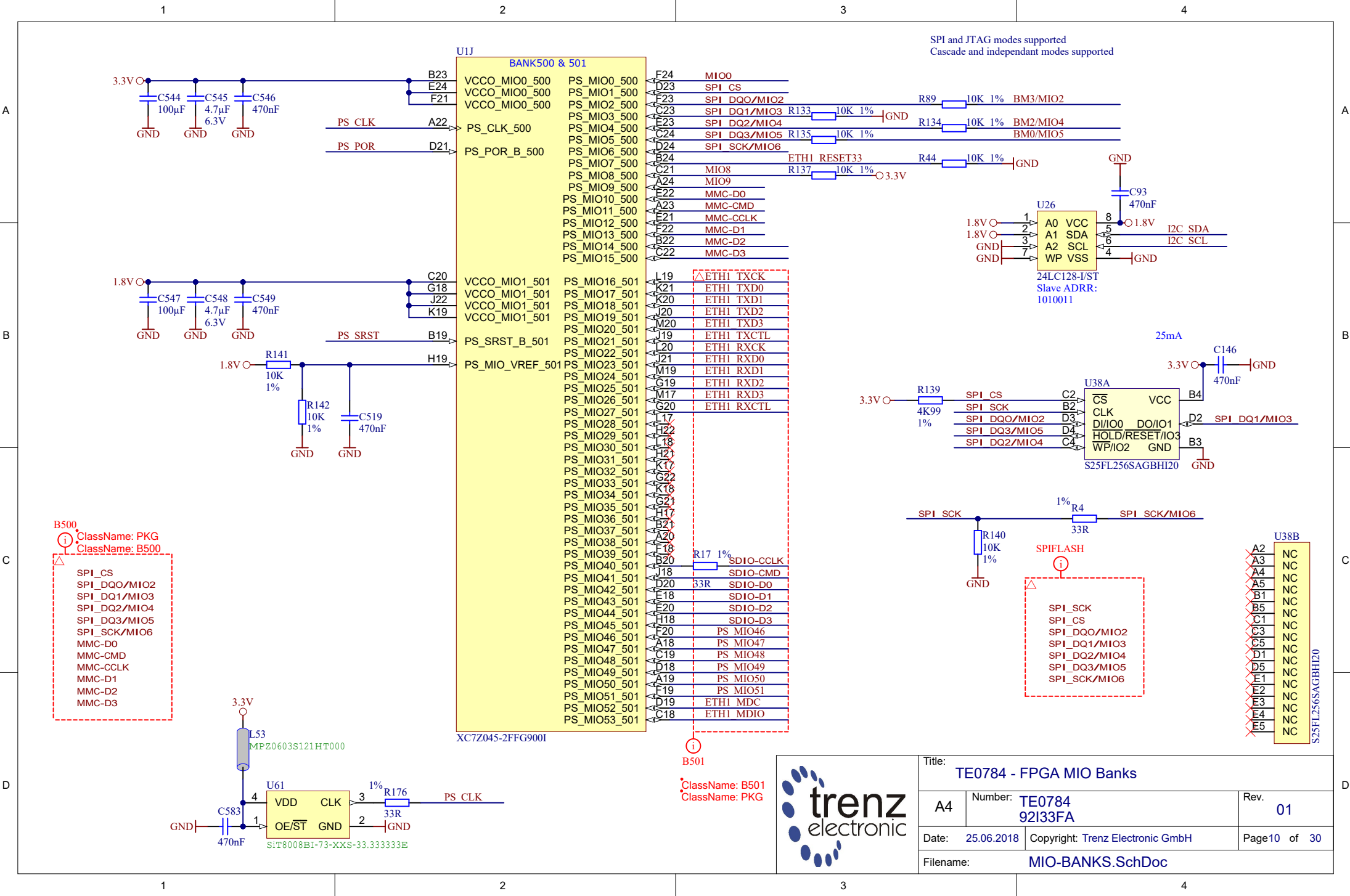
		Title: TE0784 - FPGA Configuration	
		A4	Nummer: TE0784 92I33FA
Datum: 25.06.2018		Zeichner: Trenz Electronic GmbH	
Filename: FPGA-CFG.SchDoc		Blatt 7 von 30	



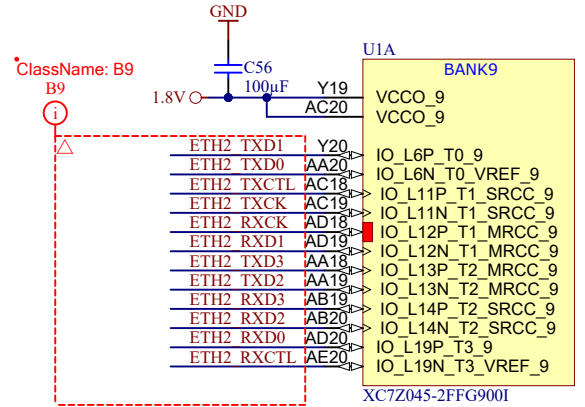
Title: TE0784 - FPGA DDR Banks		
A4	Number: TE0784 92I33FA	Rev. 01
Date: 25.06.2018	Copyright: Trenz Electronic GmbH	Page 8 of 30
Filename: PS-DDR.SchDoc		




Title: TE0784 - FPGA MGT		
A4	Number: TE0784 92133FA	Rev. 01
Date: 25.06.2018	Copyright: Trenz Electronic GmbH	Page 9 of 30
Filename: FPGA-MGT.SchDoc		



Title: TE0784 - FPGA MIO Banks		
A4	Number: TE0784 92I33FA	Rev. 01
Date: 25.06.2018	Copyright: Trenz Electronic GmbH	Page 10 of 30
Filename: MIO-BANKS.SchDoc		

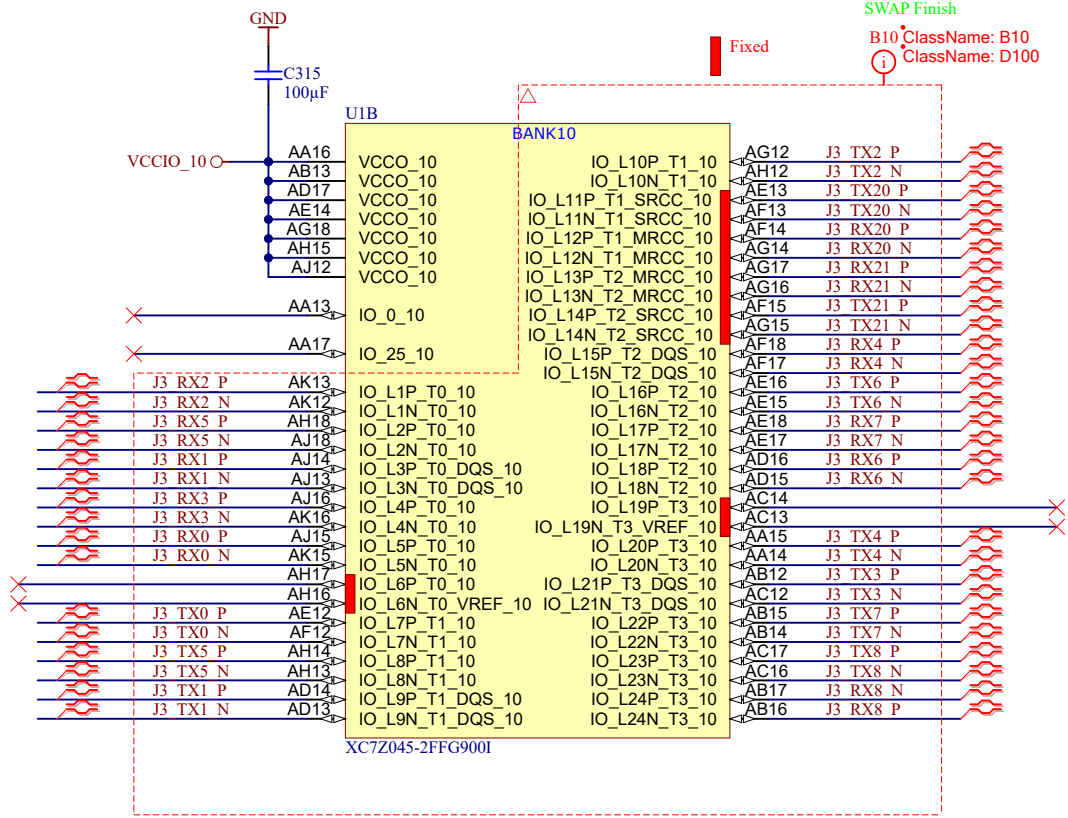


RXCK Fix to MRCCL
Fixed

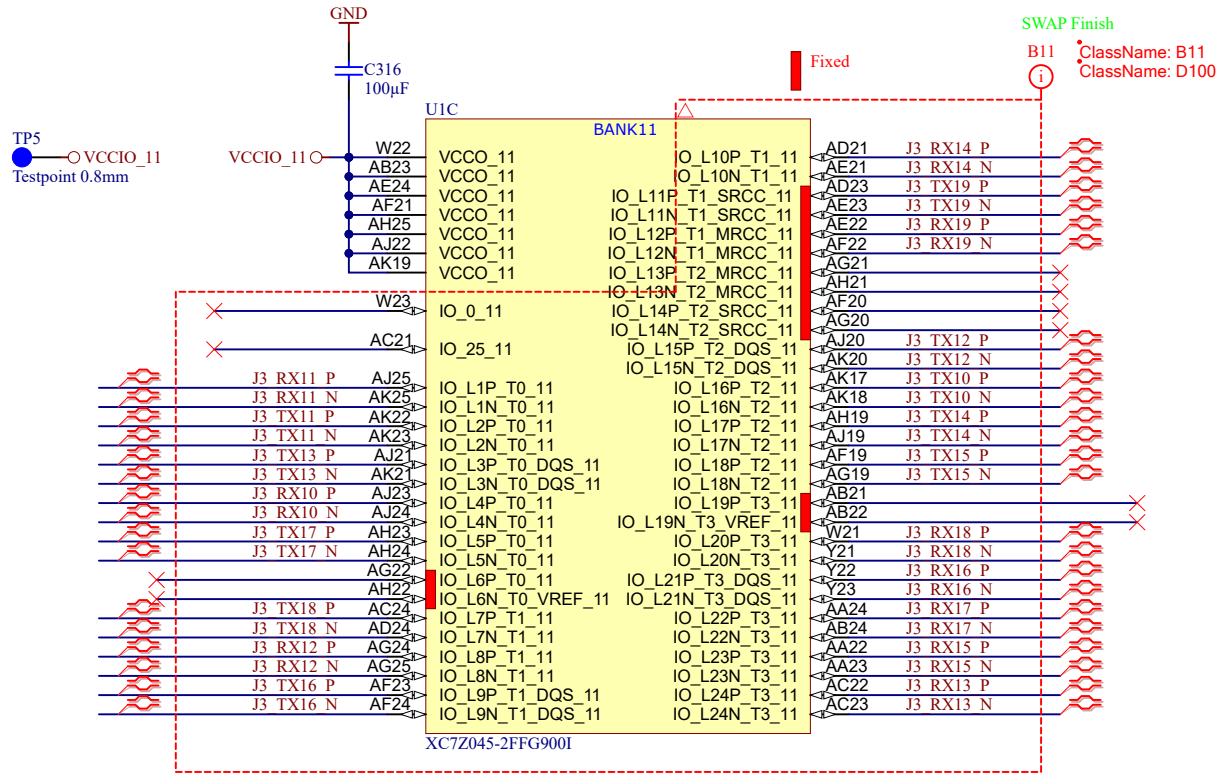


Title: TE0784 - FPGA B9		
A4	Number: TE0784 92I33FA	Rev. 01
Date: 25.06.2018	Copyright: Trenz Electronic GmbH	Page 11 of 30
Filename: B9.SchDoc		


TP4
 ●—○ VCCIO_10
 Testpoint 0.8mm

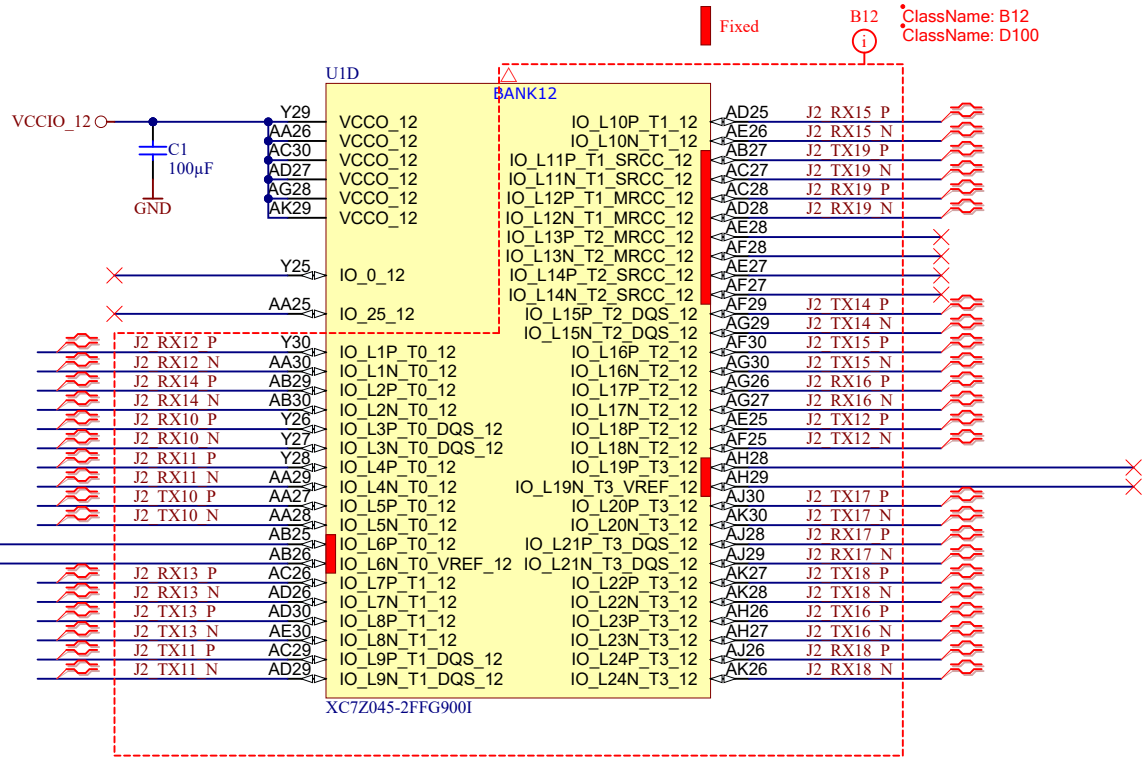



Title: TE0784 - FPGA B10		
A4	Number: TE0784 92I33FA	Rev. 01
Date: 25.06.2018	Copyright: Trenz Electronic GmbH	Page 12 of 30
Filename: B10.SchDoc		




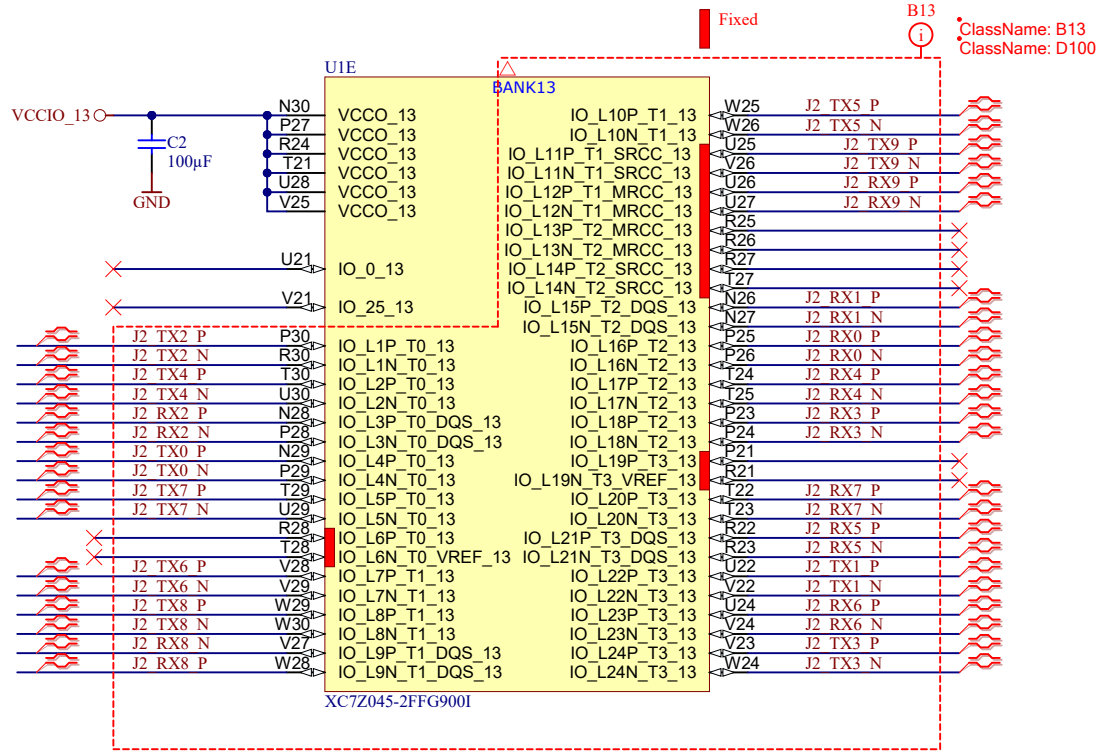
Title: TE0784 - FPGA B11		
A4	Number: TE0784 92I33FA	Rev. 01
Date: 25.06.2018	Copyright: Trenz Electronic GmbH	Page13 of 30
Filename: B11.SchDoc		


TP1
 VCCIO_12
 Testpoint 0.8mm



	Title: TE0784 - FPGA B12		
	A4	Number: TE0784 92I33FA	Rev. 01
	Date: 25.06.2018	Copyright: Trenz Electronic GmbH	Page 14 of 30
	Filename: B12.SchDoc		

TP2
 VCCIO_13
 Testpoint 0.8mm



	Title: TE0784 - FPGA B13		
	A4	Number: TE0784 92I33FA	Rev. 01
	Date: 25.06.2018	Copyright: Trenz Electronic GmbH	Page 15 of 30
	Filename: B13.SchDoc		

1

2

3

4

U_B33
B33.SchDoc



U_B34
B34.SchDoc



U_B35
B35.SchDoc



A

A

B


B

C

C

D

D


	Title: TE0784 - FPGA HP Banks		
	A4	Number: TE0784 92I33FA	Rev. 01
	Date: 25.06.2018	Copyright: Trenz Electronic GmbH	Page 16 of 30
	Filename: HP-BANKS.SchDoc		

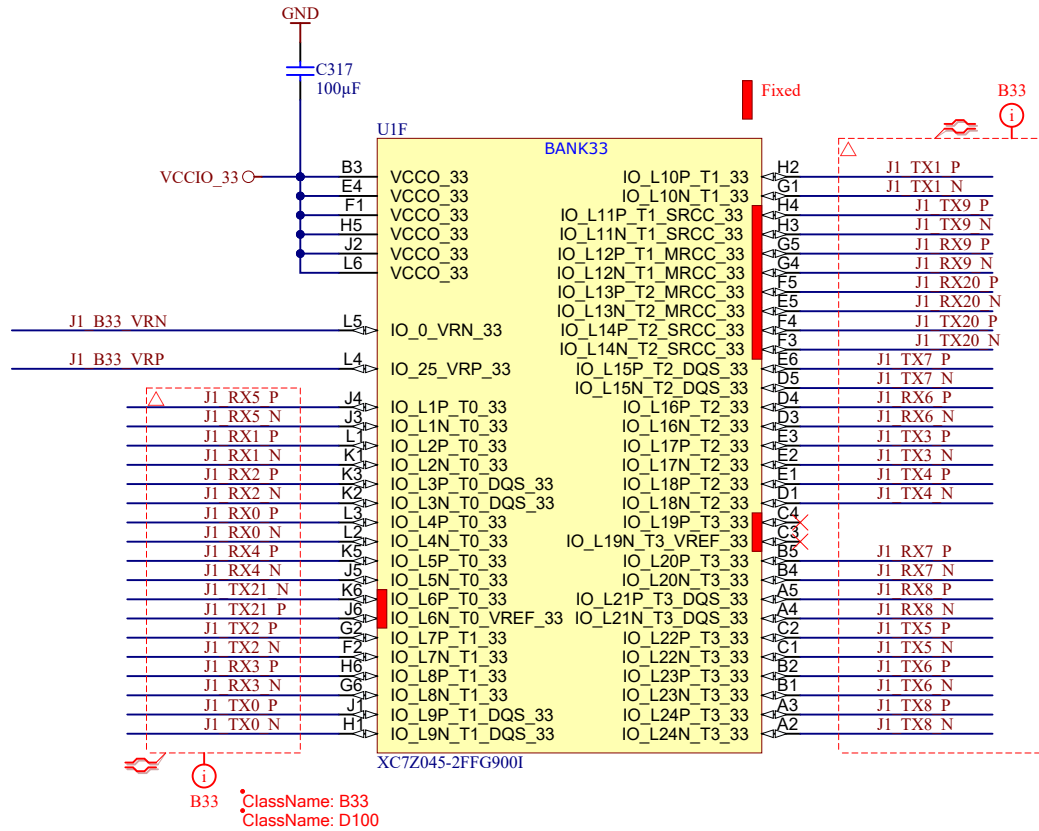
1

2

3


4


TP6
 VCCIO_33
 Testpoint 0.8mm

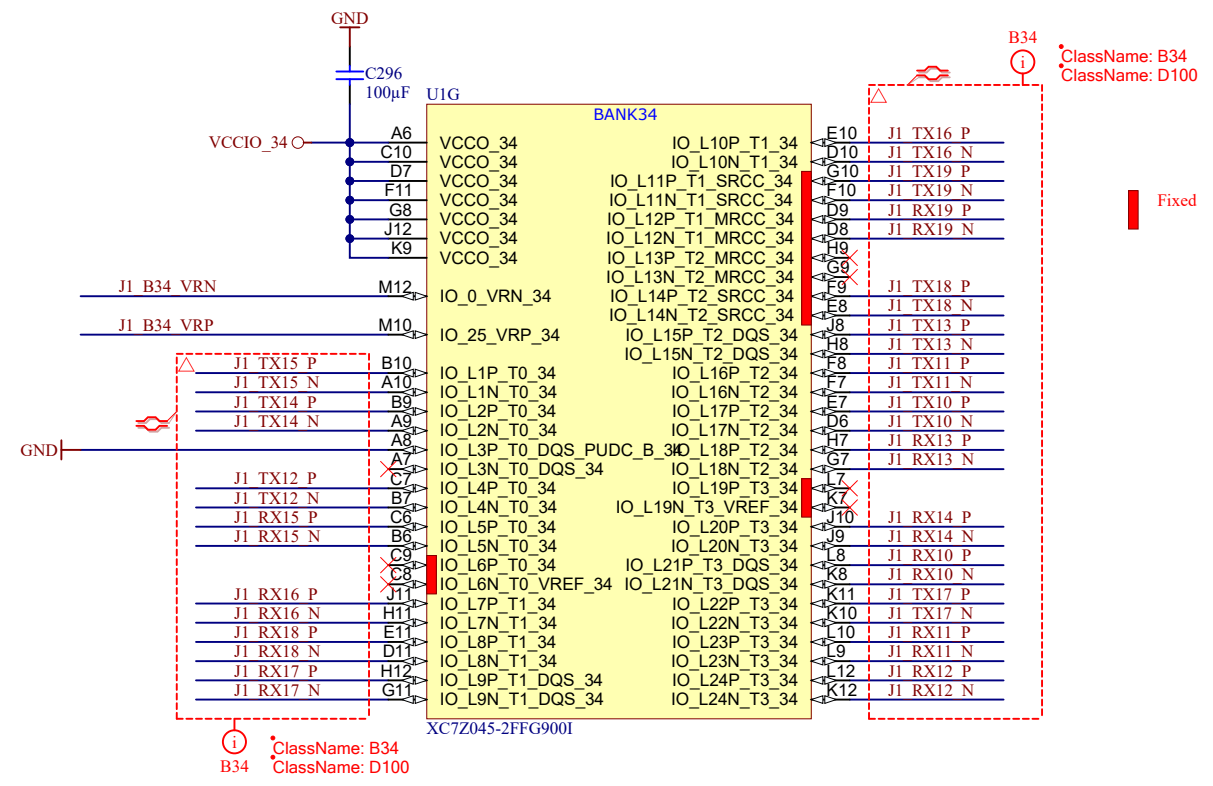



ClassName: B33
 ClassName: D100

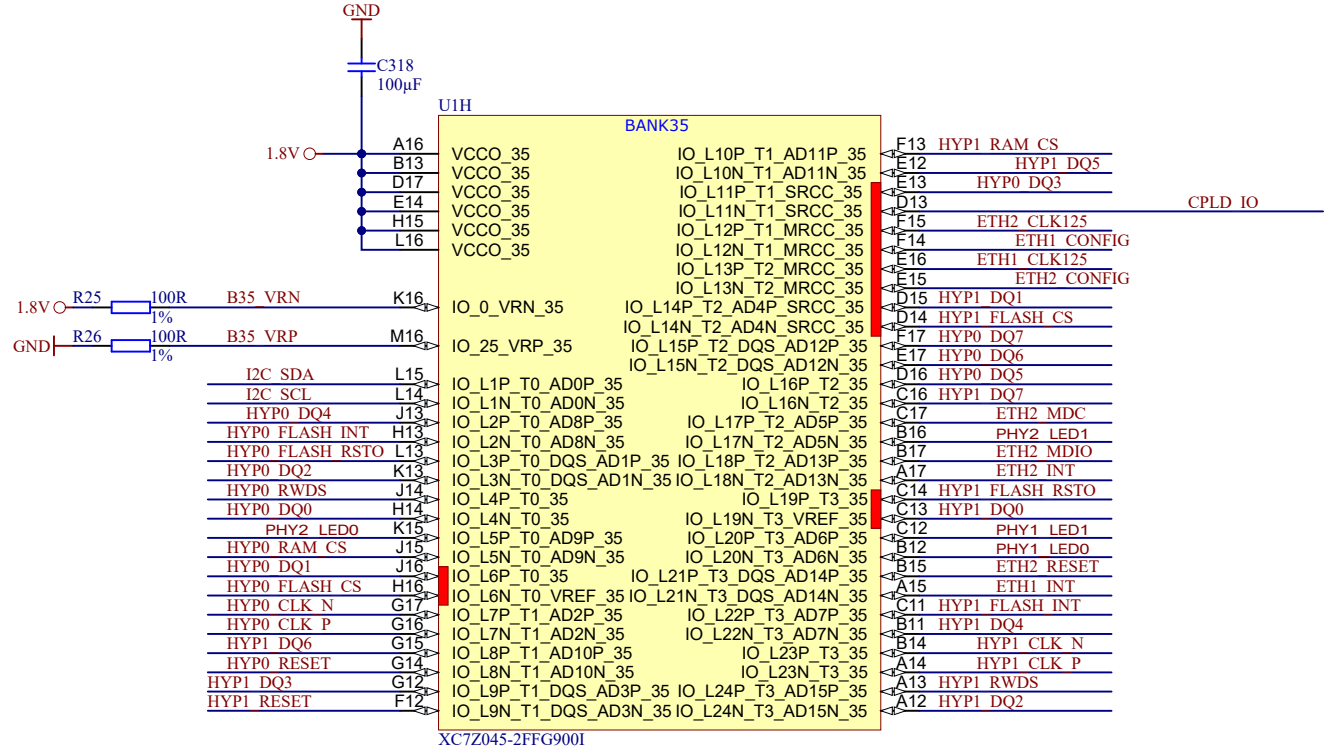
B33
 ClassName: B33
 ClassName: D100

	Title: TE0784 - FPGA B33		
	A4	Number: TE0784 92I33FA	Rev. 01
	Date: 25.06.2018	Copyright: Trenz Electronic GmbH	Page 17 of 30
	Filename: B33.SchDoc		

TP3
 VCCIO_34
 Testpoint 0.8mm



	Title: TE0784 - FPGA B34		
	A4	Number: TE0784 92I33FA	Rev. 01
	Date: 25.06.2018	Copyright: Trenz Electronic GmbH	Page 18 of 30
	Filename: B34.SchDoc		



XC7Z045-2FFG9001



Title: TE0784 - FPGA B35		
A4	Number: TE0784 92I33FA	Rev. 01
Date: 25.06.2018	Copyright: Trenz Electronic GmbH	Page 19 of 30
Filename: B35.SchDoc		

A

A

B

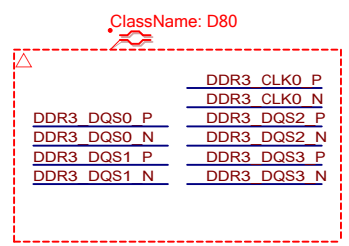
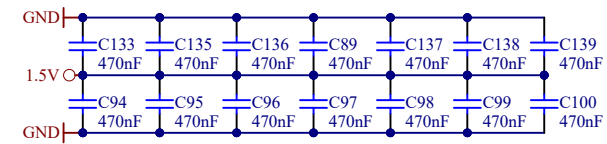
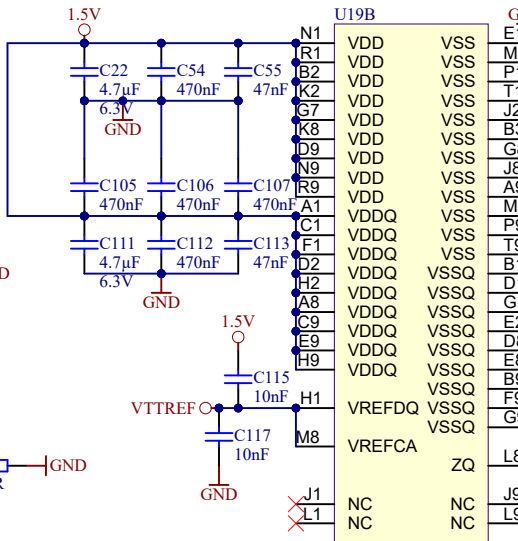
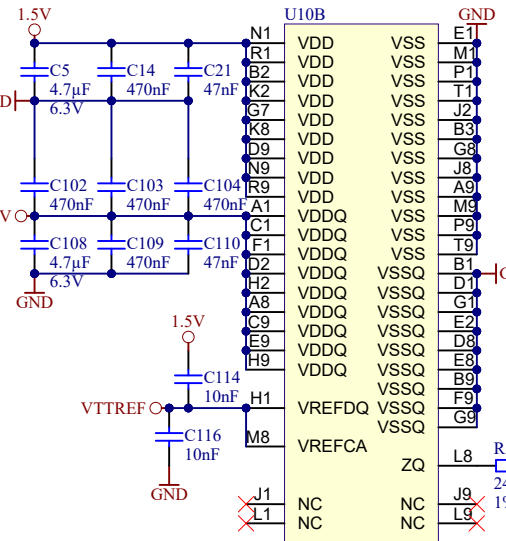
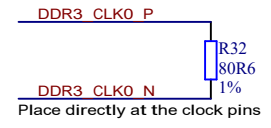
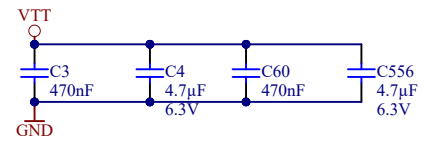
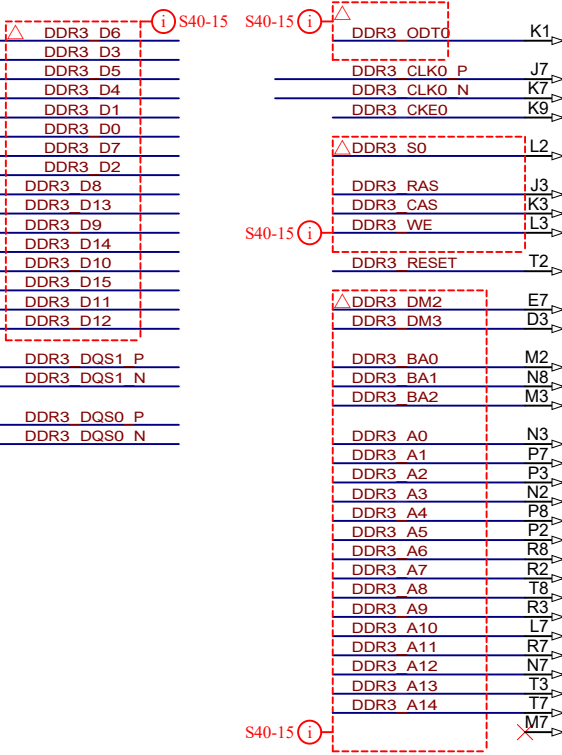
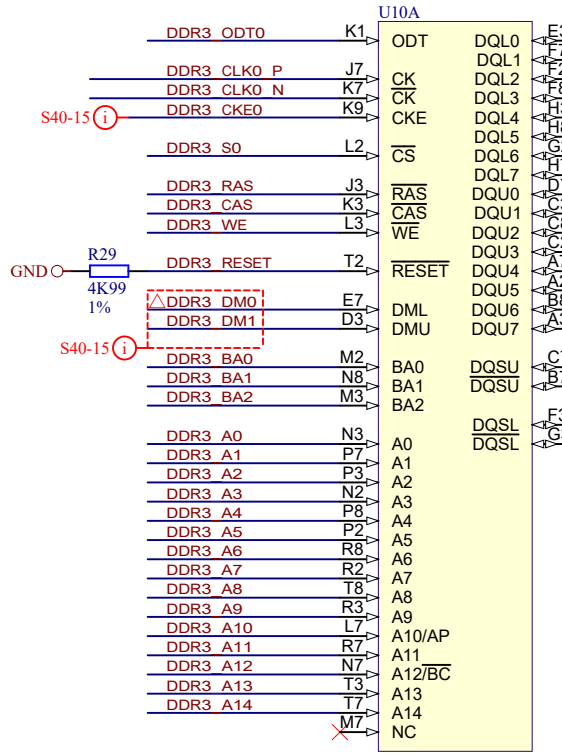
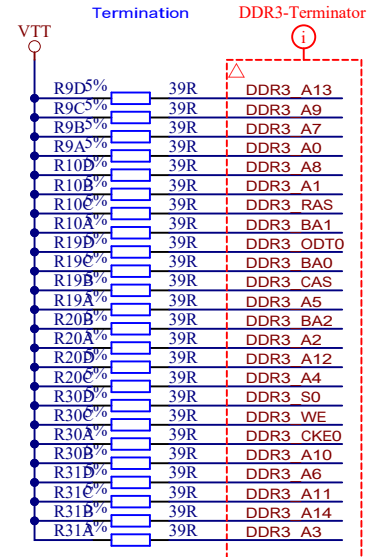
B

C

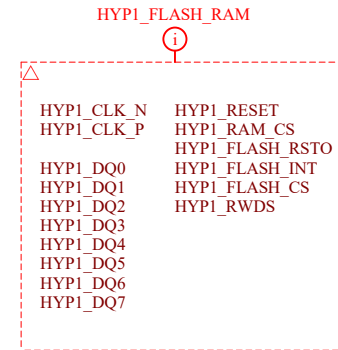
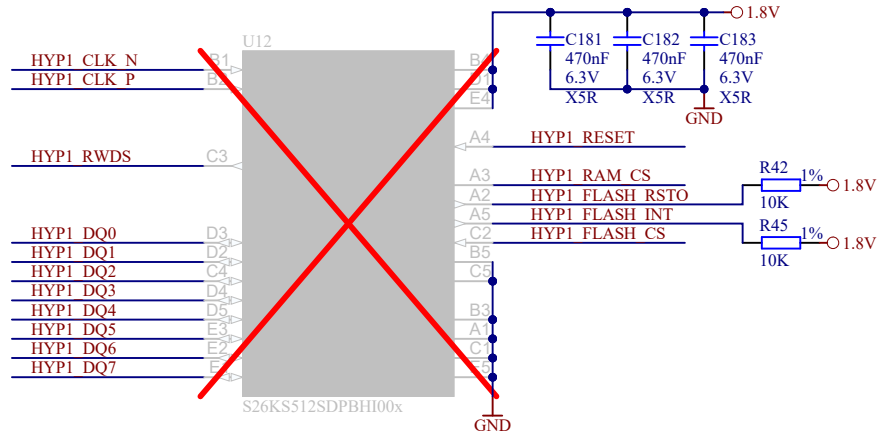
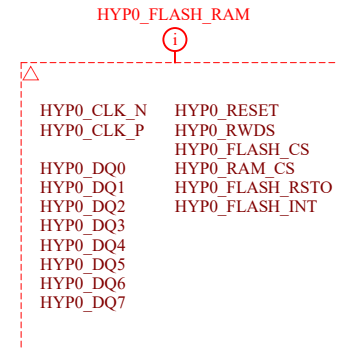
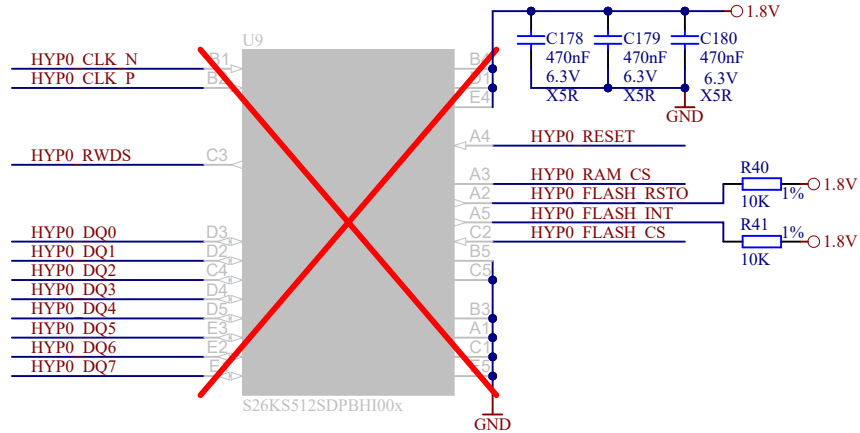
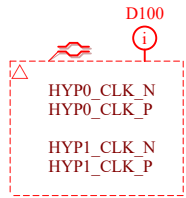
C

D

D

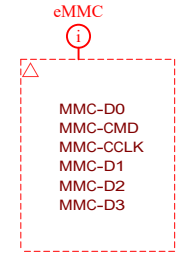
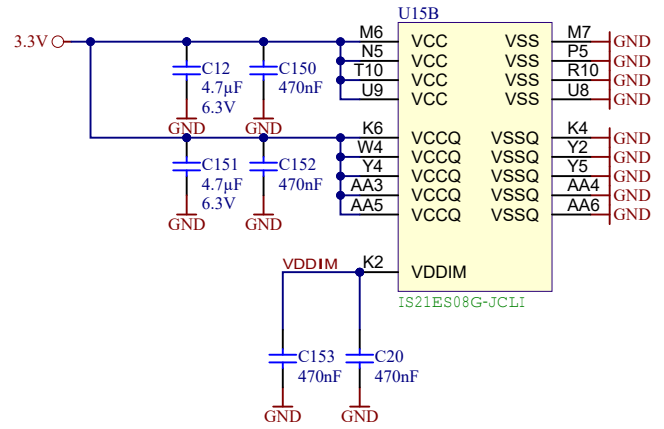
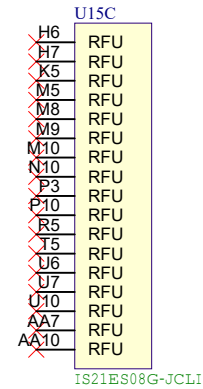
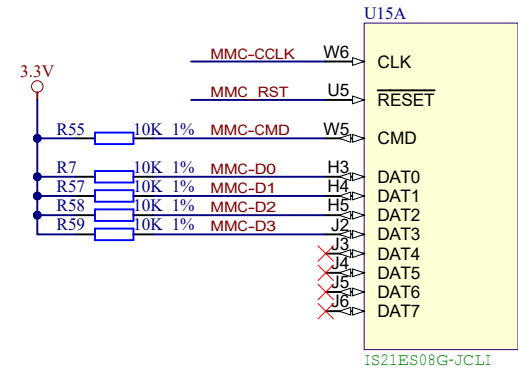
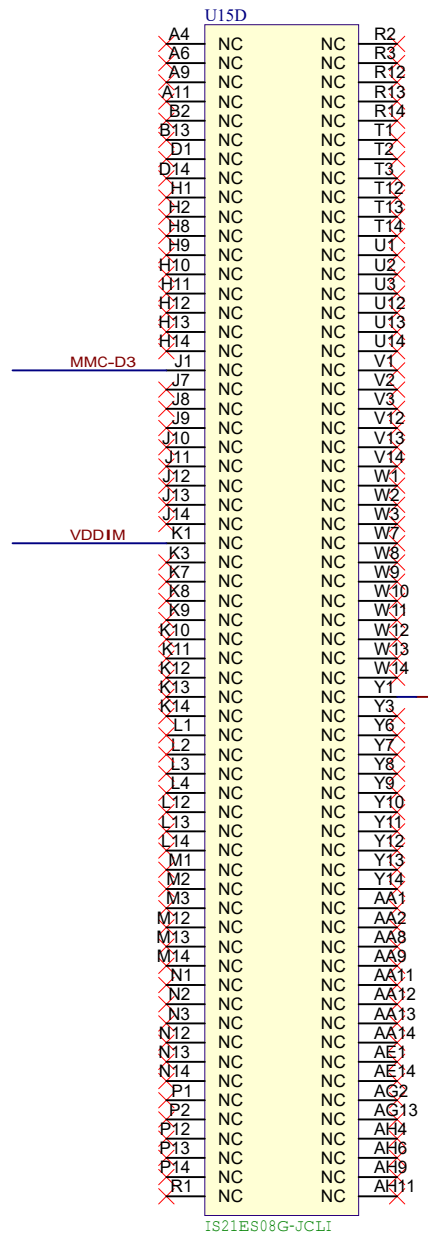


Title: TE0784 - DDR3 RAM		
A4	Number: TE0784 92133FA	Rev. 01
Date: 25.06.2018	Copyright: Trenz Electronic GmbH	Page 22 of 30
Filename: DDR3-RAM.SchDoc		

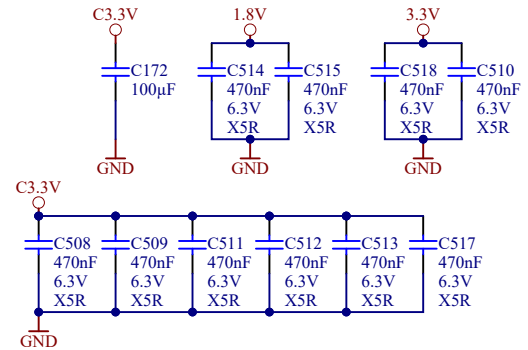
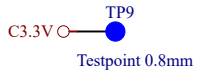
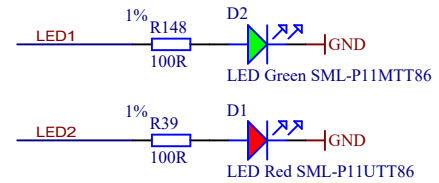
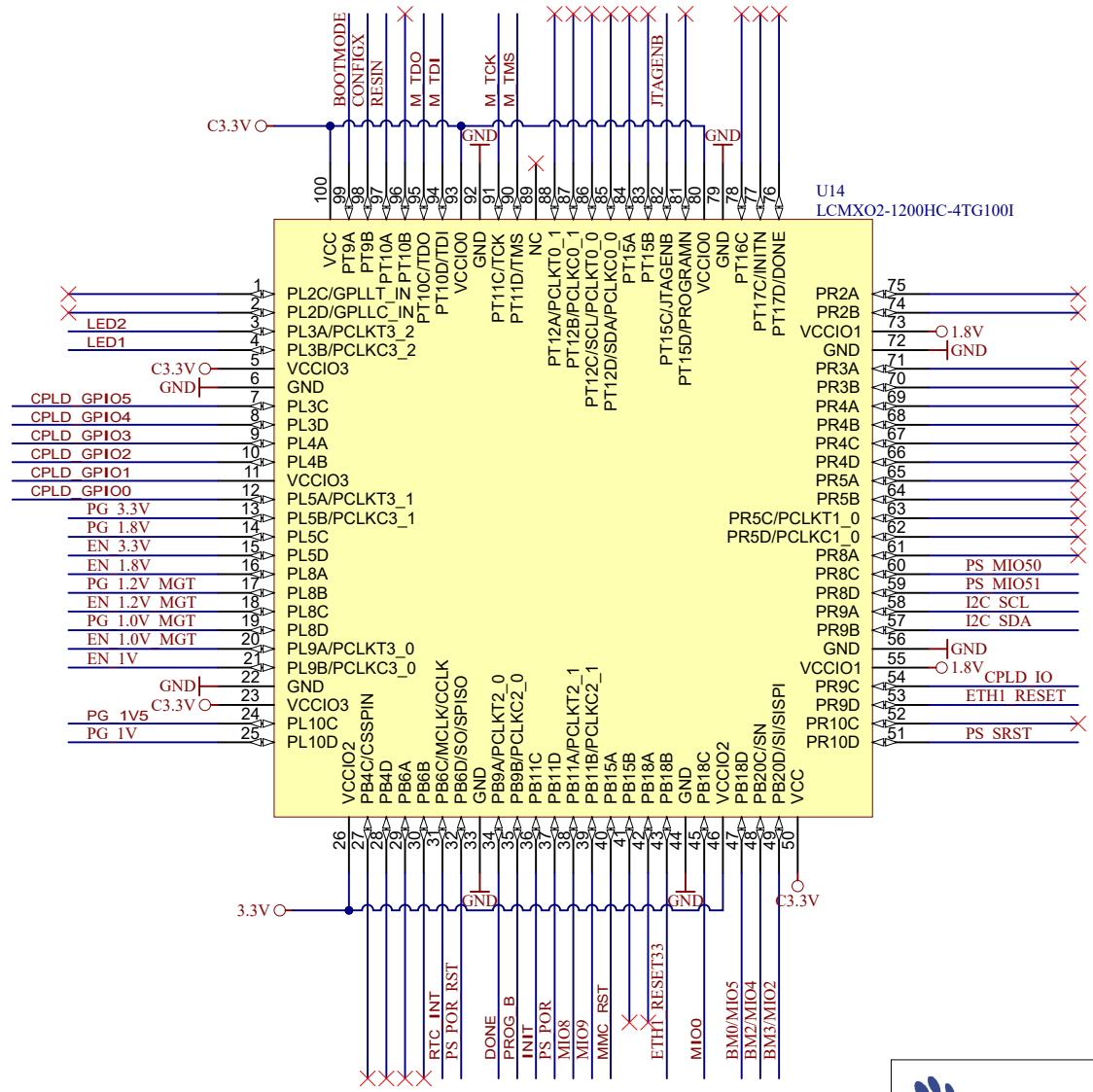


Title: TE0784 - HyperFlash_RAM

A4	Number: TE0784 92133FA	Rev. 01
Date: 25.06.2018	Copyright: Trenz Electronic GmbH	Page23 of 30
Filename: HyperFlash_RAM.SchDoc		



Title: TE0784 - eMMC		
A4	Number: TE0784 92I33FA	Rev. 01
Date: 25.06.2018	Copyright: Trenz Electronic GmbH	Page24 of 30
Filename: eMMC.SchDoc		



Title: TE0784 - CPLD		
A4	Number: TE0784 92133FA	Rev. 01
Date: 25.06.2018	Copyright: Trenz Electronic GmbH	Page 25 of 30
Filename: CPLD.SchDoc		

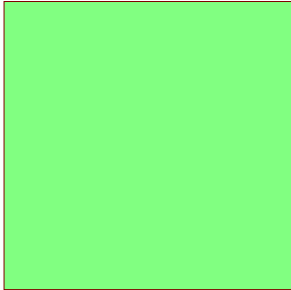
1

2

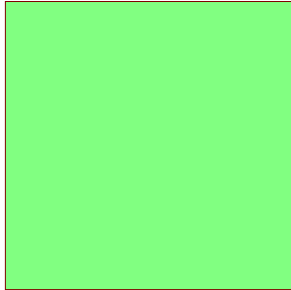
3

4

U_ETH1
ETH1.SchDoc



U_ETH2
ETH2.SchDoc



A

A

B


B

C

C

D

D

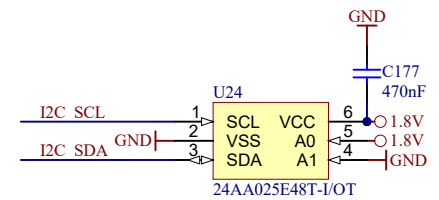
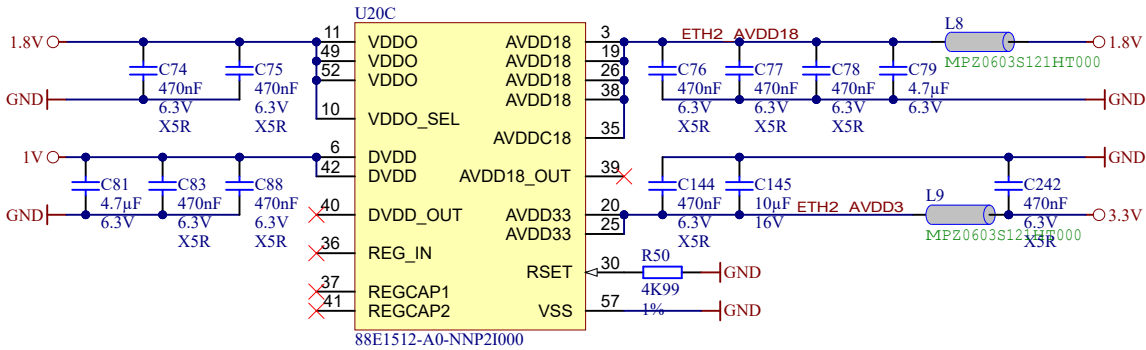
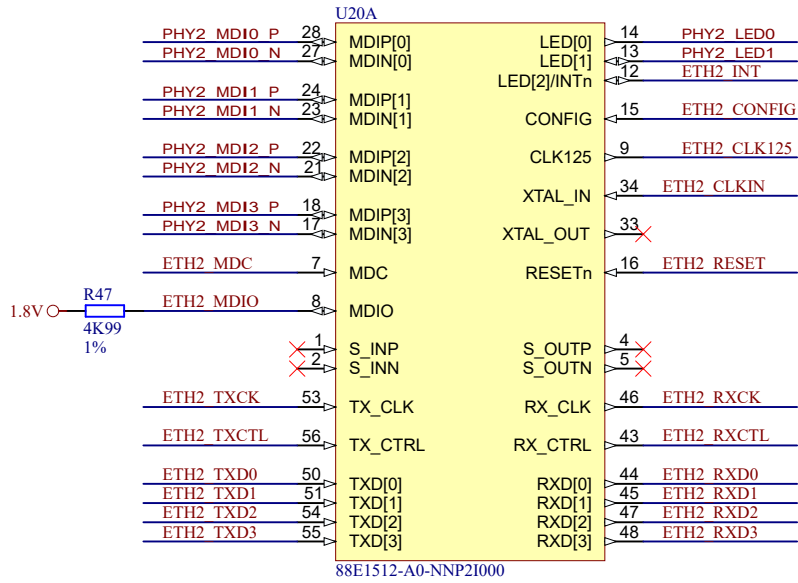
	Title: TE0784 - Ethernet		
	A4	Number: TE0784 92I33FA	Rev. 01
	Date: 25.06.2018	Copyright: Trenz Electronic GmbH	Page 26 of 30
	Filename: Ethernet.SchDoc		

1

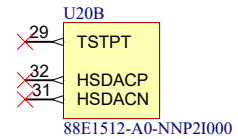
2

3

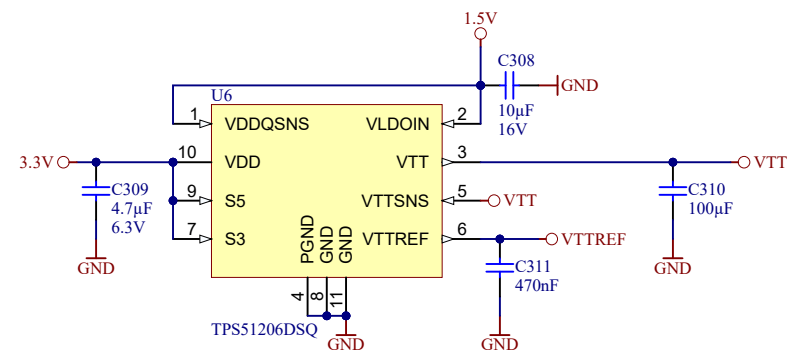
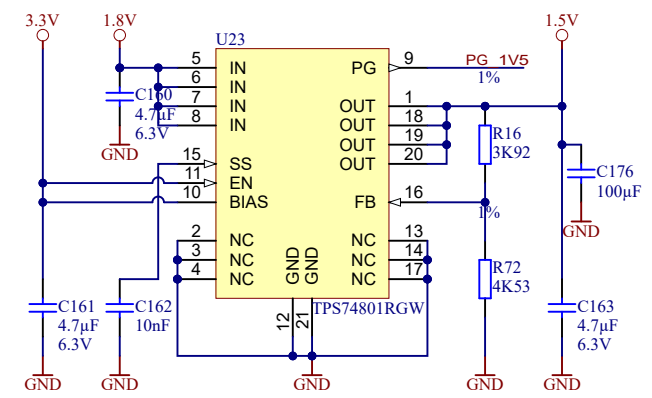
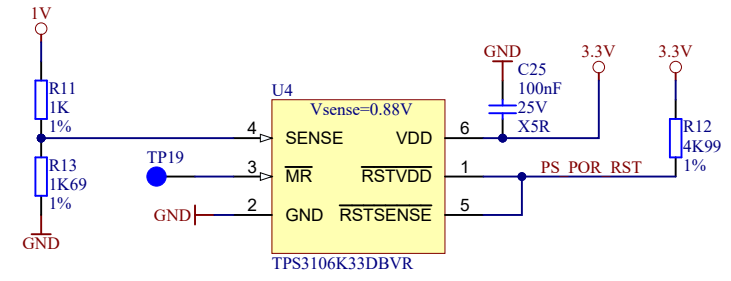
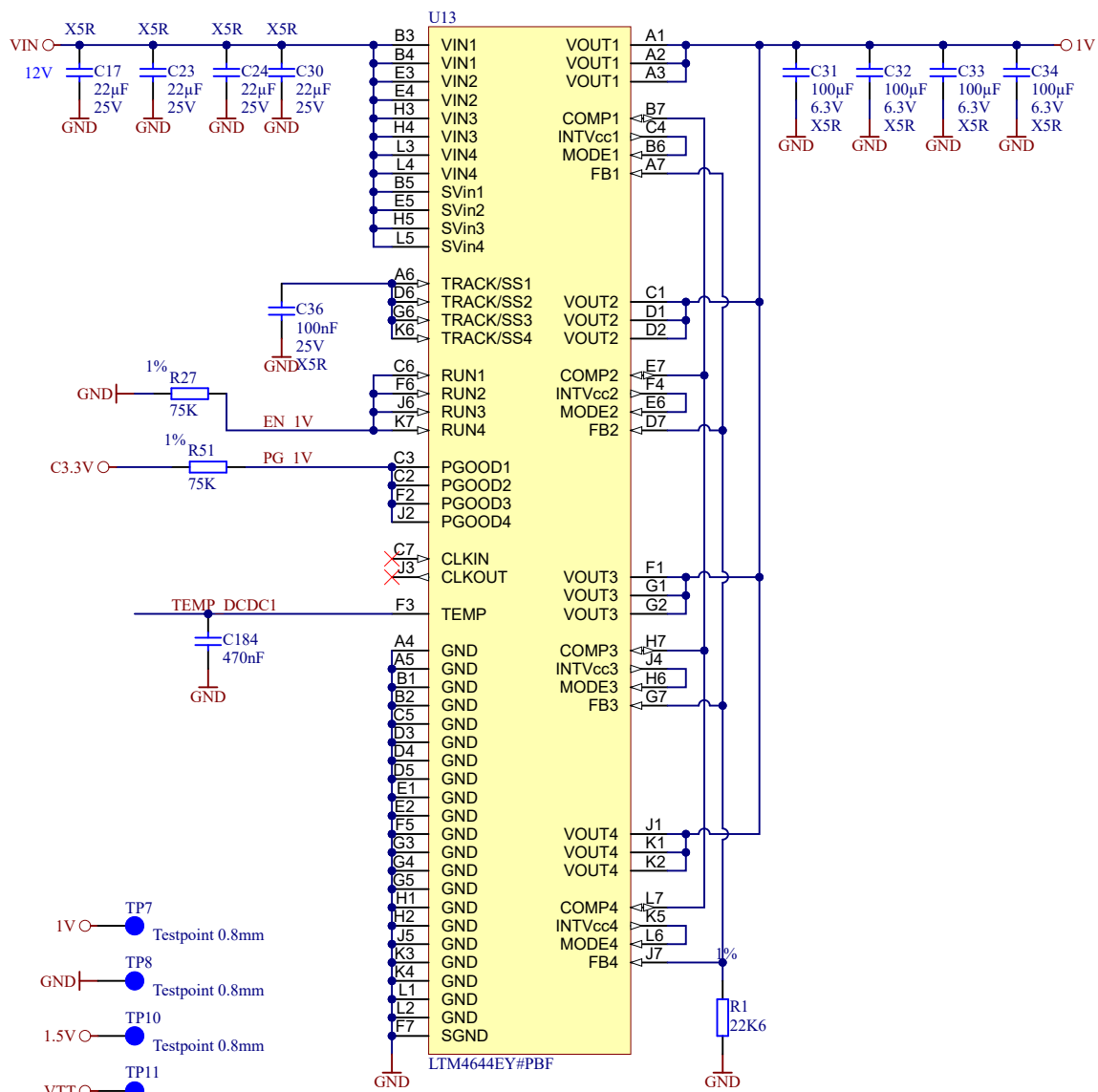
4




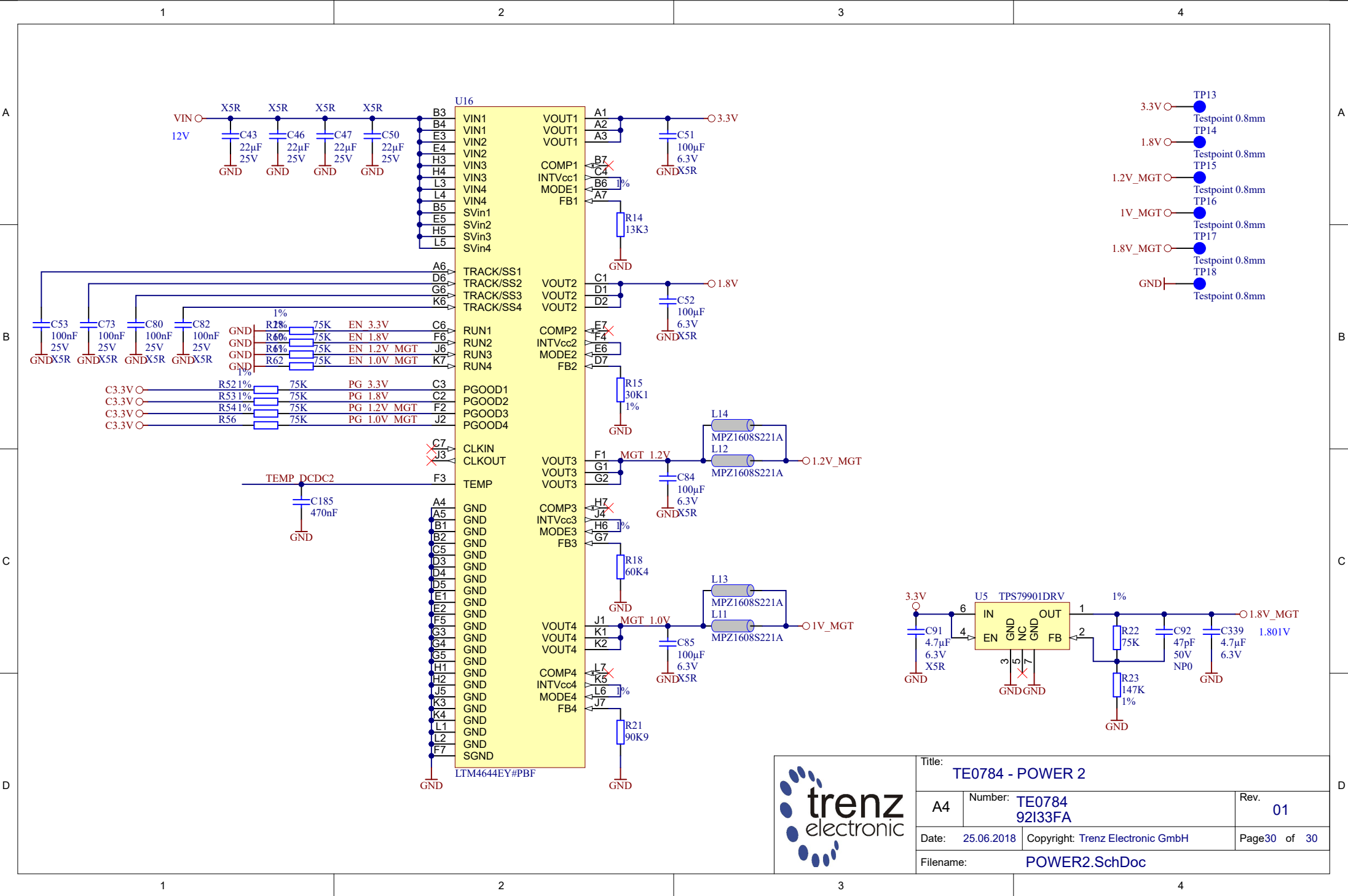
Slave ADDR:
1010001




	Title: TE0784 - ETH_PHY2	
	A4	Number: TE0784 92133FA
	Date: 25.06.2018	Rev. 01
	Copyright: Trenz Electronic GmbH	Page 28 of 30
Filename: ETH2.SchDoc		



			Title: TE0784 - POWER	
			A4	Number: TE0784 92133FA
Date: 25.06.2018		Copyright: Trenz Electronic GmbH		Page 29 of 30
Filename: POWER.SchDoc				



		Title: TE0784 - POWER 2	
		A4	Number: TE0784 92133FA
Date: 25.06.2018	Copyright: Trenz Electronic GmbH	Page 30 of 30	
Filename: POWER2.SchDoc			