

1

2

3

4

A

A

B

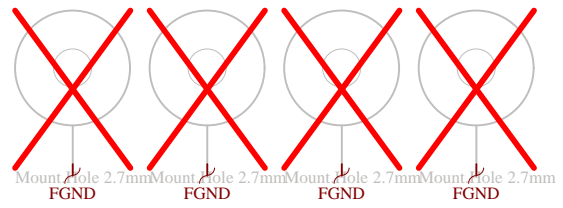
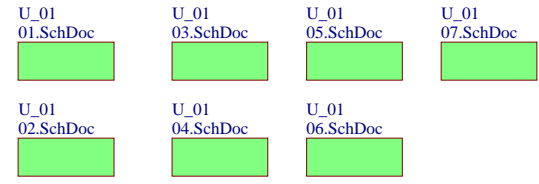
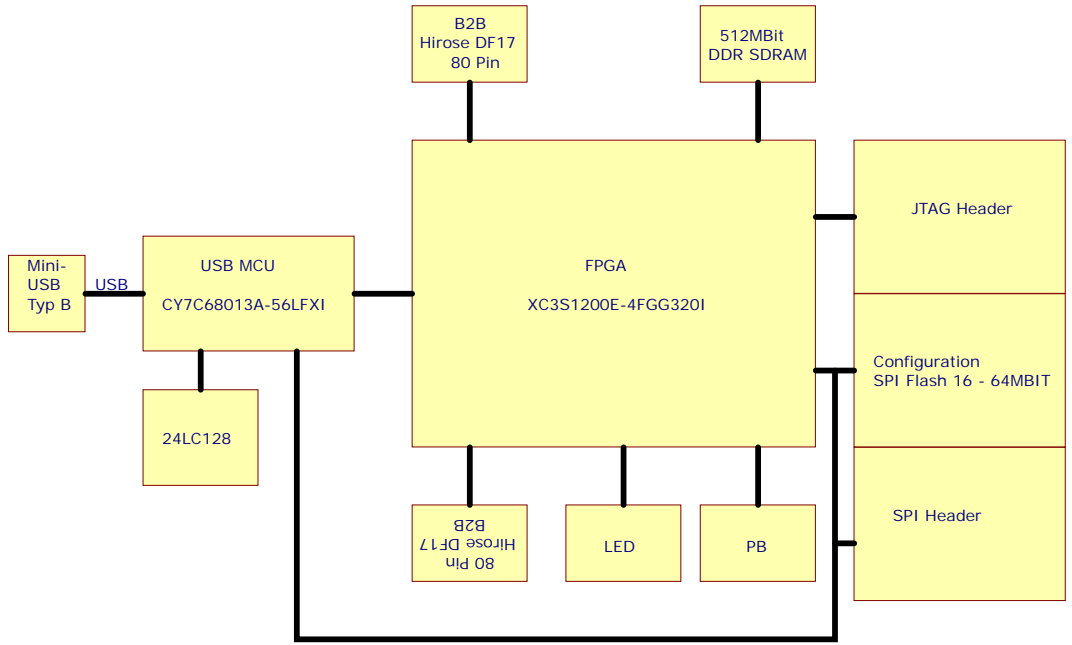
B

C

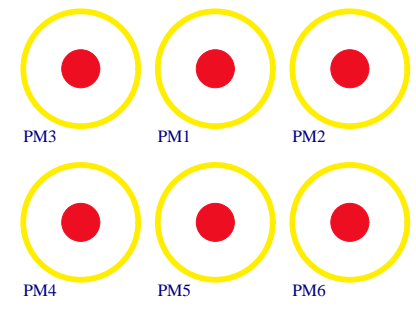
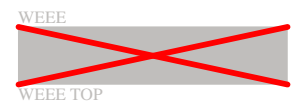
C

D

D



LOGO1  
 TE Logo on Top Layer  
 LOGO TOP small



Assembly variant	PD21
Created by	TT
Modified by	VY
Modified at	2019-07-10
SVN Revision	8515

	Title: <b>Overview</b>		
	A4	Number: <b>TE0300</b>	Rev. <b>01</b>
	Datum: 2008-08-08	Zeichner: Trenz Electronic GmbH / TT	Blatt 1 von 8
	Filename: <b>00.SchDoc</b>		

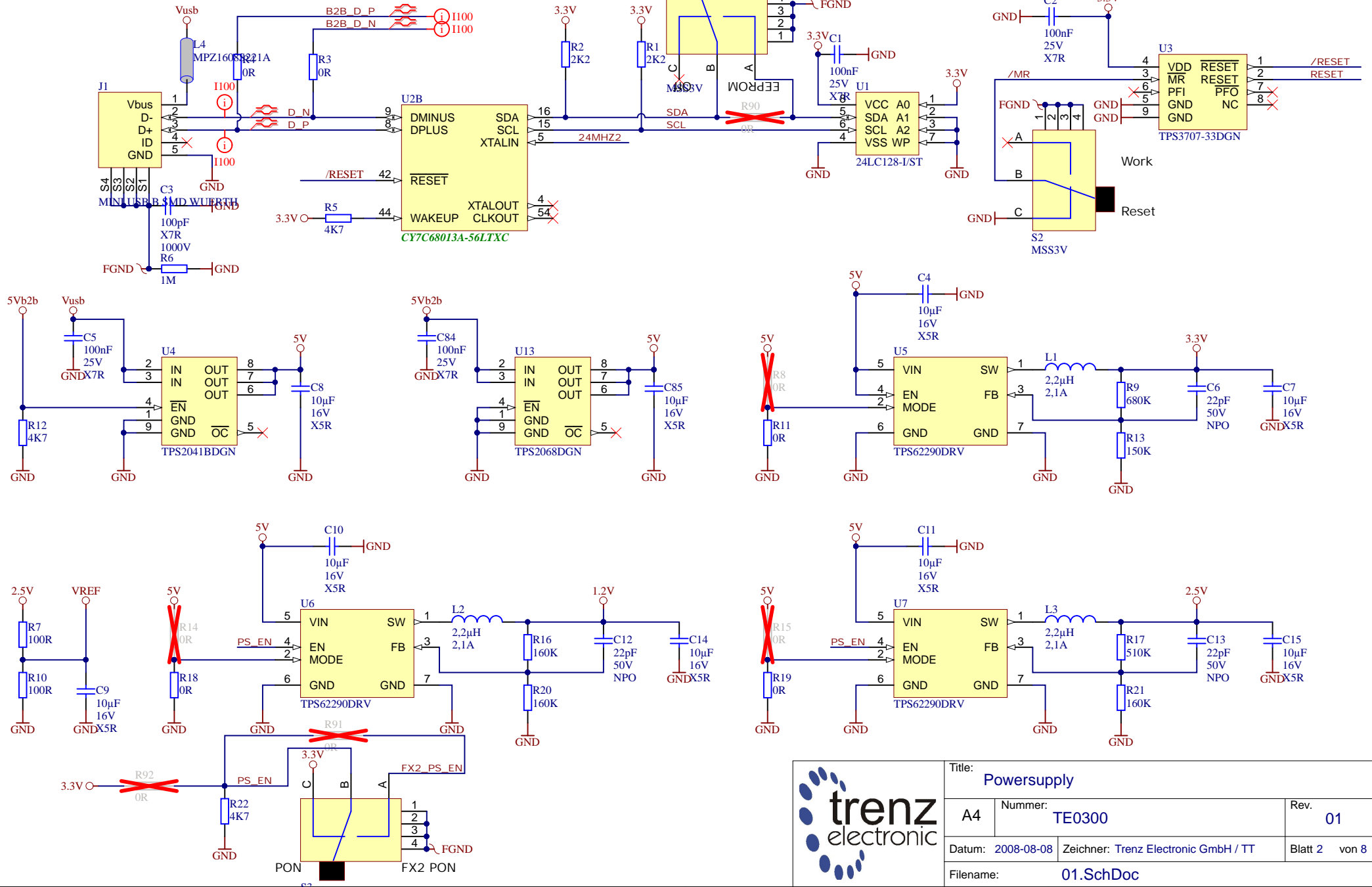
1

2

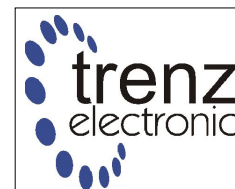
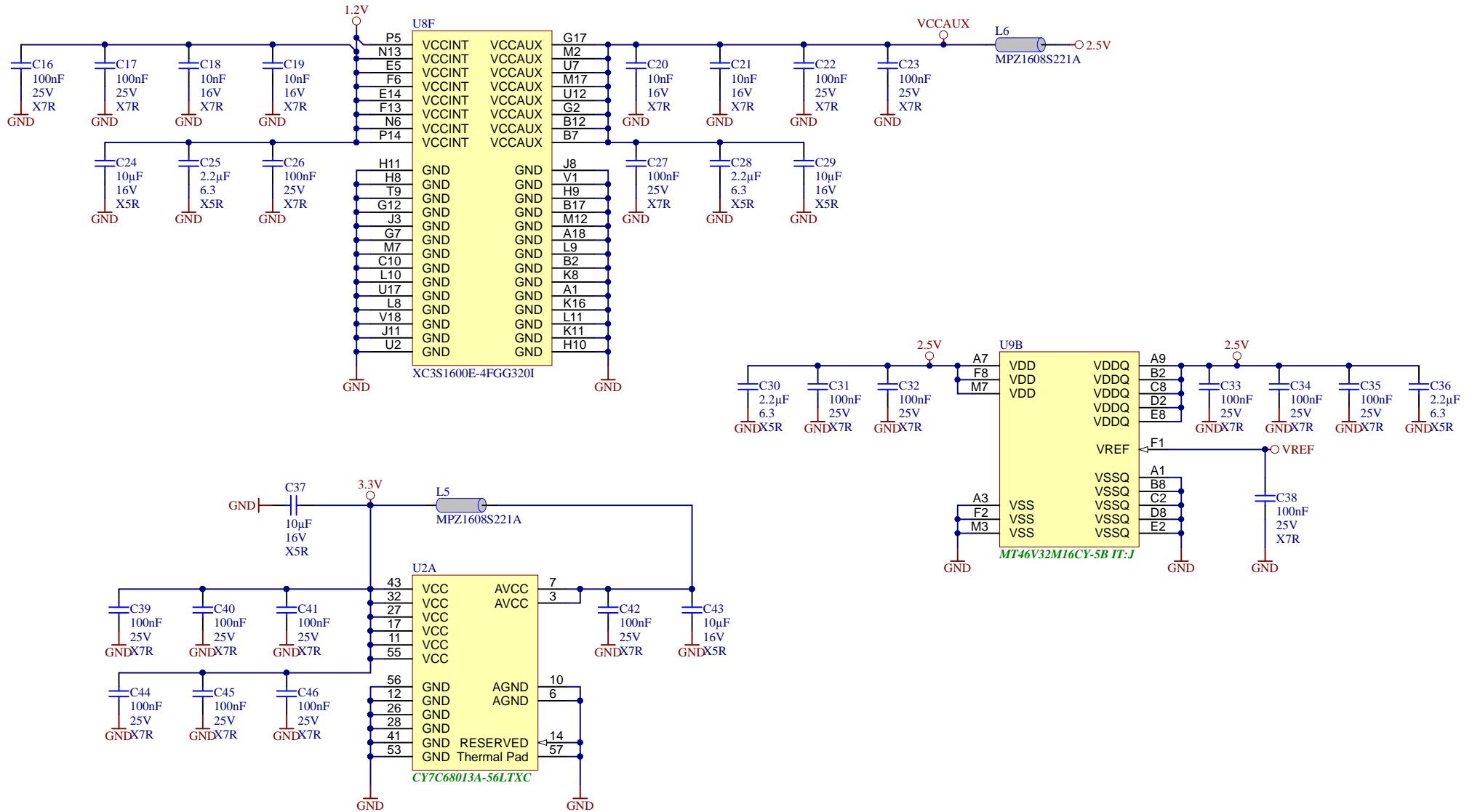
3

4

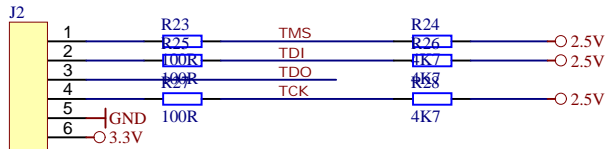
Place resistors as close to the USB connector as possible.



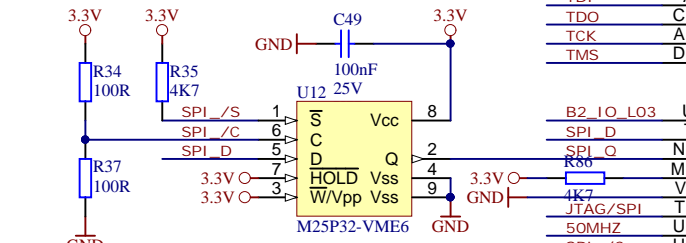
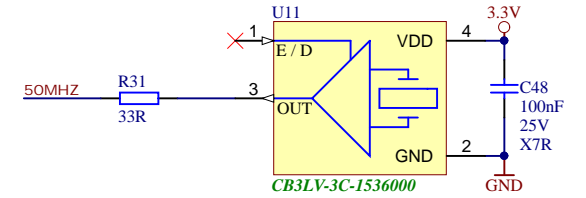
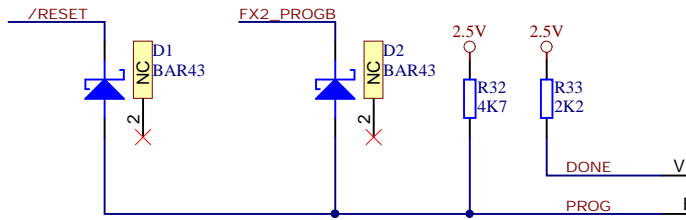
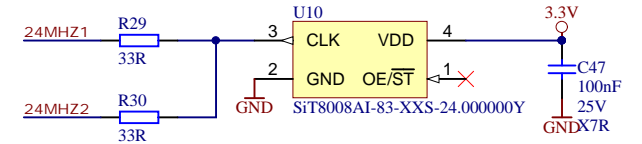
Title: Powersupply		
A4	Number: TE0300	Rev. 01
Datum: 2008-08-08	Zeichner: Trenz Electronic GmbH / TT	Blatt 2 von 8
Filename: 01.SchDoc		



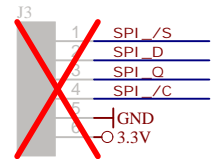
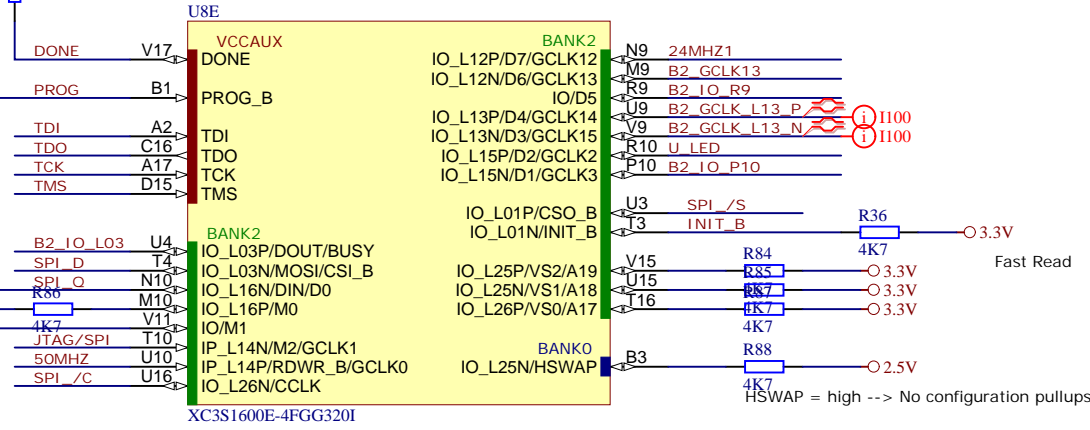
Title: <b>Chip Powersupply</b>		
A4	Nummer: <b>TE0300</b>	Rev. <b>01</b>
Datum: 2008-08-08	Zeichner: Trenez Electronic GmbH / TT	Blatt 3 von 8
Filename: <b>02.SchDoc</b>		



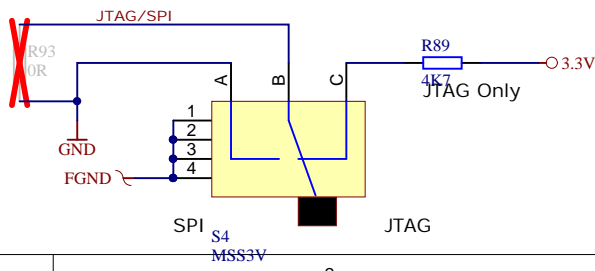
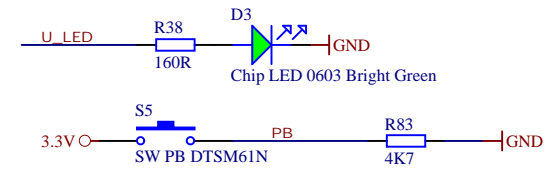
Stiftleiste versetzt 1-reihig, 6pol.



Place Termination at end of chain



Stiftleiste versetzt 1-reihig, 6pol.



Title: Configuration and Clock			
A4	Nummer: TE0300	Rev. 01	
Datum: 2008-08-08	Zeichner: Trenz Electronic GmbH / TT	Blatt 4 von 8	
Filename: 03.SchDoc			

A

A

B

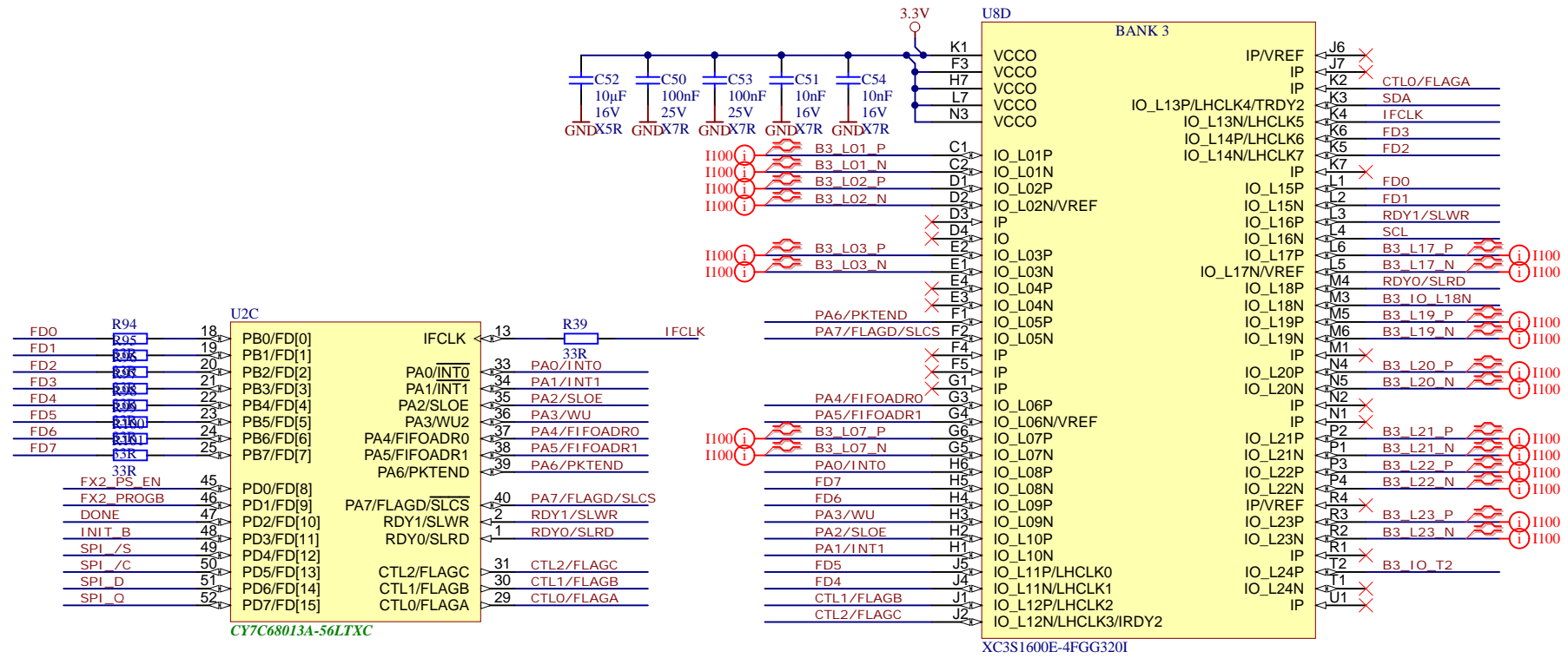
B

C

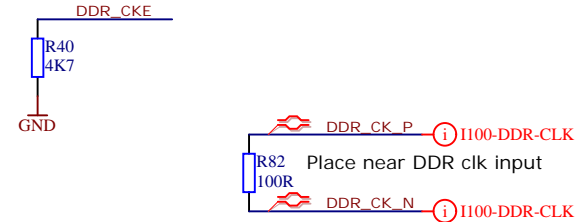
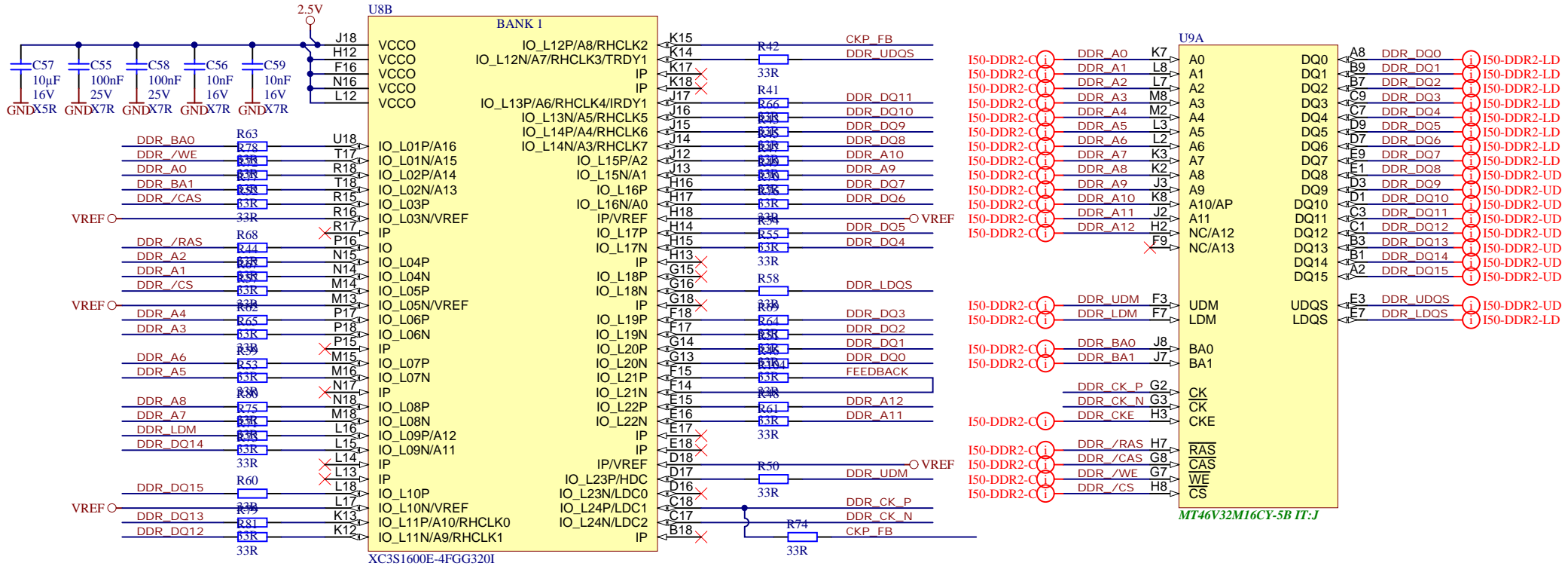
C

D

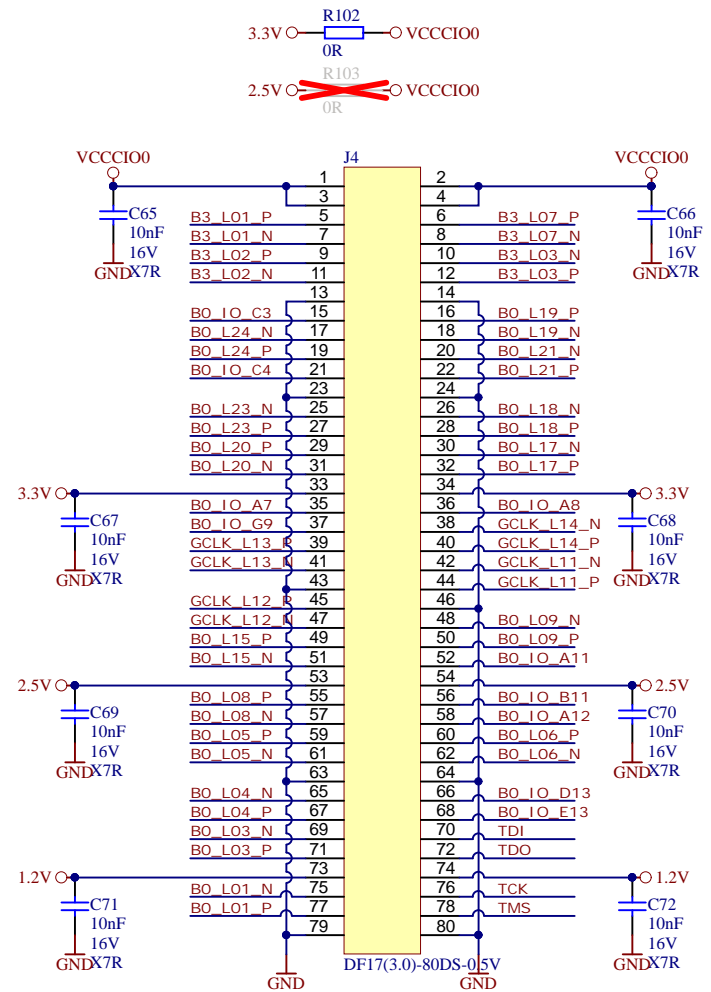
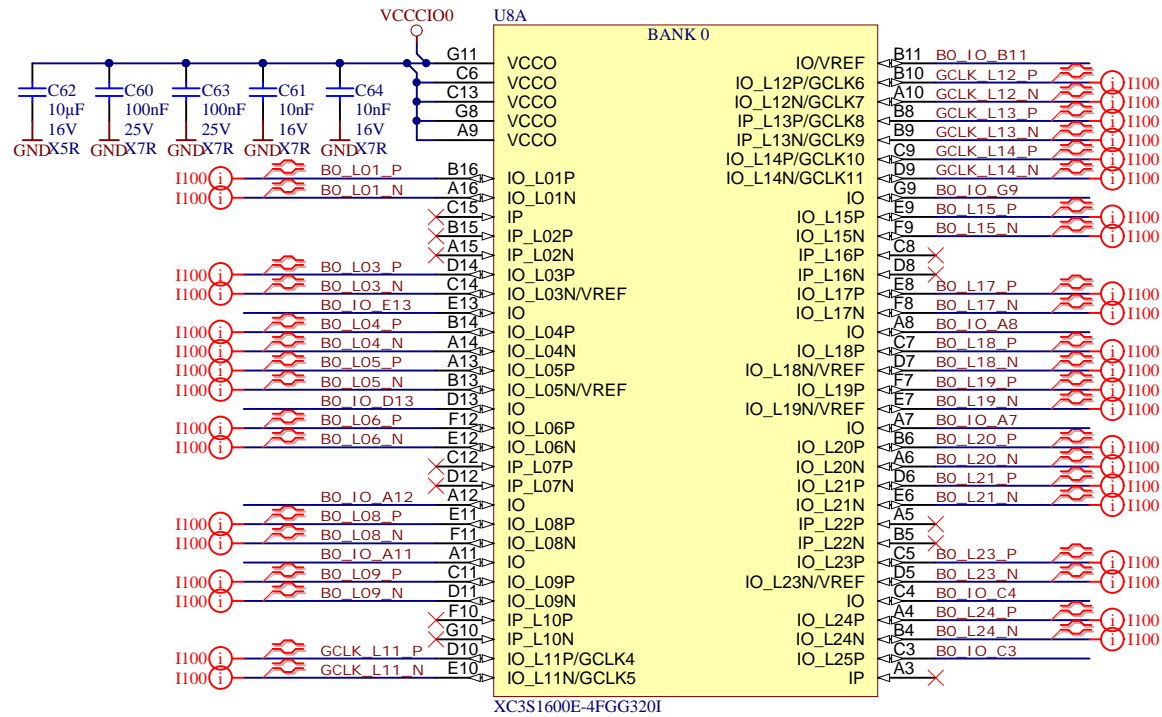
D




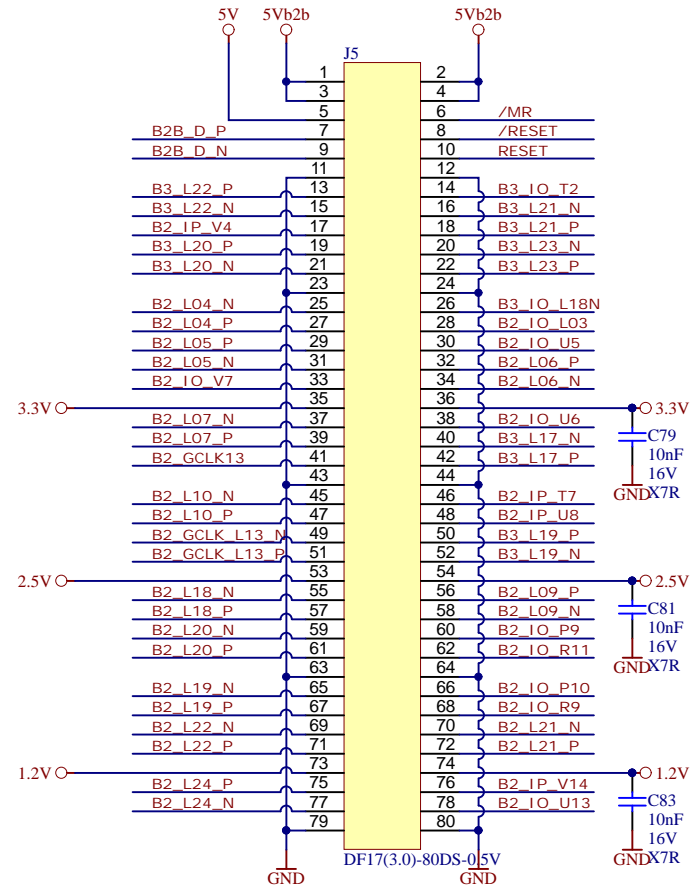
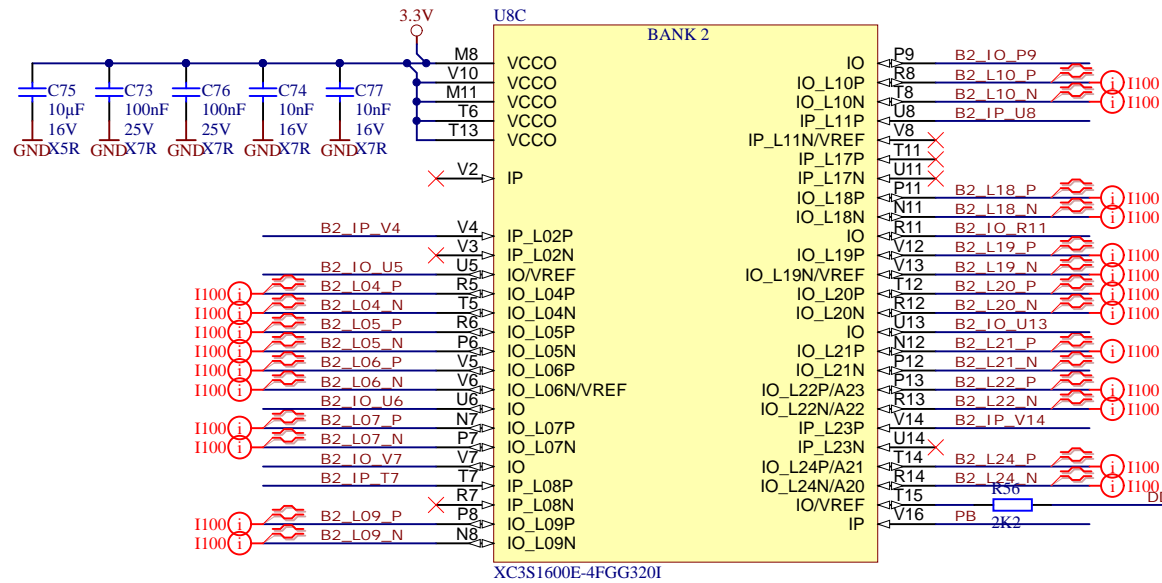
	Title: <b>FX2 USB</b>		
	A4	Number: <b>TE0300</b>	Rev. <b>01</b>
	Datum: 2008-08-08	Zeichner: Trenz Electronic GmbH / TT	Blatt 5 von 8
	Filename: <b>04.SchDoc</b>		




Title: <b>DDR Ram</b>		
A4	Number: <b>TE0300</b>	Rev. <b>01</b>
Datum: 2008-08-08	Zeichner: Trenz Electronic GmbH / TT	Blatt 6 von 8
Filename: <b>05.SchDoc</b>		



		Title: B2B Connector J4	
		A4	Rev. 01
Datum: 2008-08-08		Zeichner: Trenz Electronic GmbH / TT	
Filename: 06.SchDoc		Blatt 7 von 8	



		Title: B2B Connector J5	
		A4	Nummer: TE0300 Datum: 2008-08-08 Zeichner: Trenz Electronic GmbH / TT Filename: 07.SchDoc