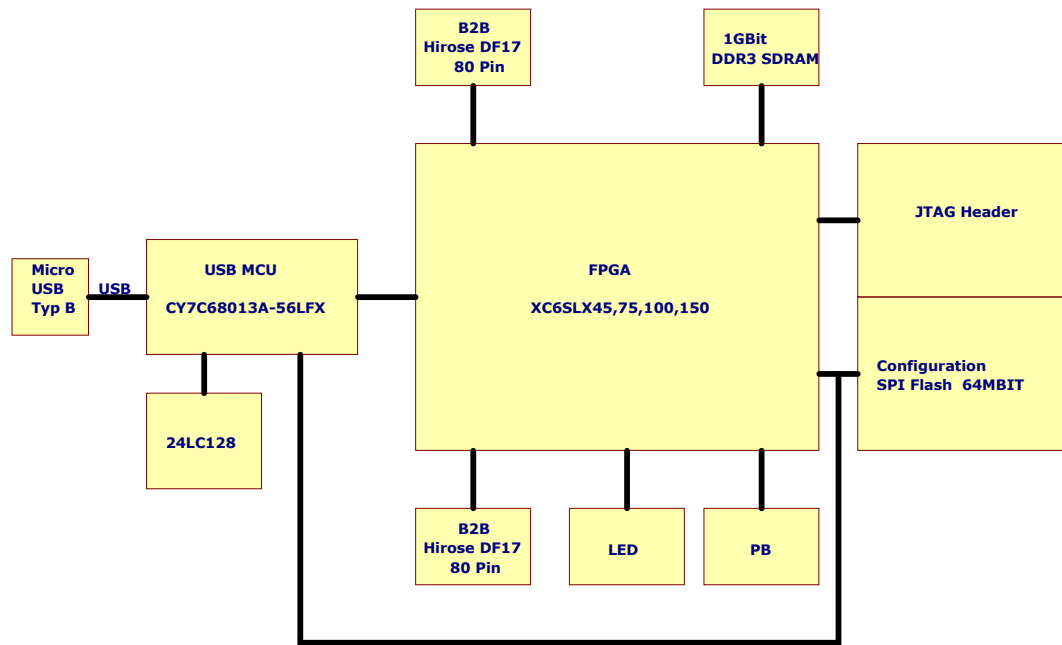
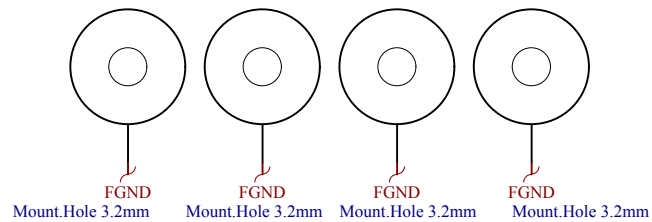
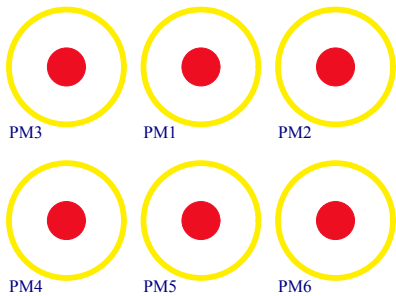


- U_Power
Power.SchDoc
- U_FPGA_PWR
FPGA_PWR.SchDoc
- U_DDR3_RAM
DDR3_RAM.SchDoc
- U_FPGA_CFG_CLK
FPGA_CFG_CLK.SchDoc
- U_FPGA_B3
FPGA_B3.SchDoc
- U_FPGA_DDR3
FPGA_DDR3.SchDoc
- U_FPGA_B2
FPGA_B2.SchDoc
- U_FPGA_B0
FPGA_B0.SchDoc
- U_USB
USB.SchDoc
- U_B2B_Connectors
B2B_Connectors.SchDoc



Serial
Serial
Serialnumber 6,3 x 6,3mm

LOGO1
TE Logo PRINT Layer
LOGO PRINT



Title: TE0630		
A4	Number: TE630 TE0630-01IBF	Rev. 01
Date: 2015-10-01	Copyright: Trenz Electronic GmbH / TT	Page1 of 11
Filename: TE0630.SchDoc		

1

2

3

4

A

A

B

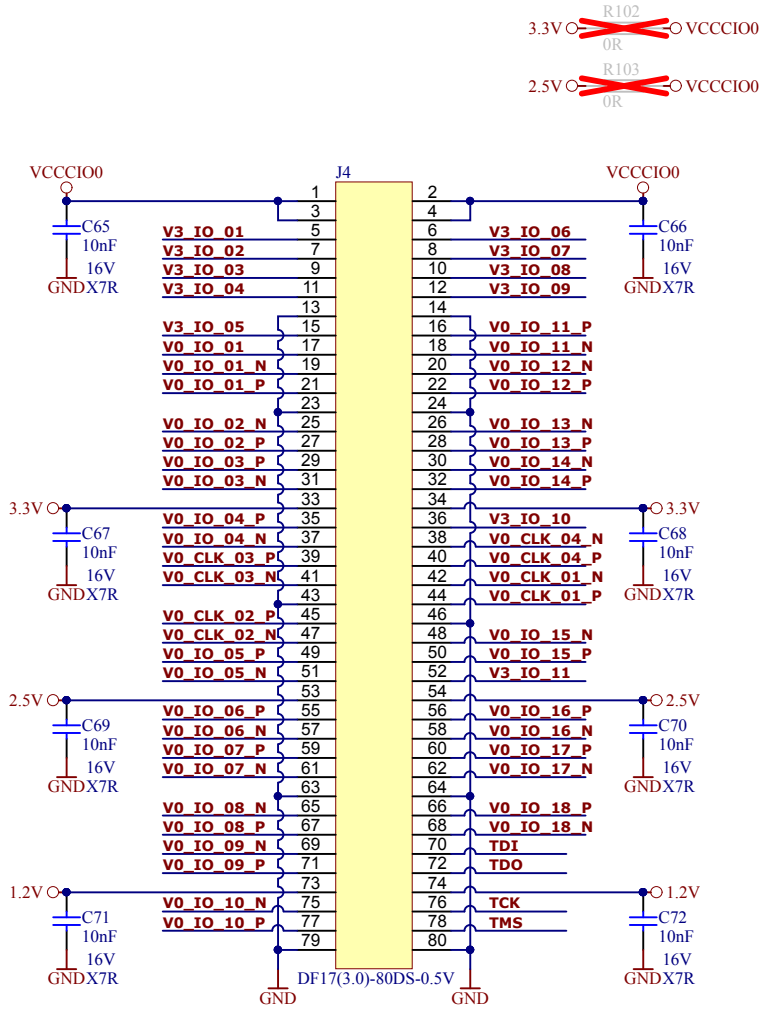
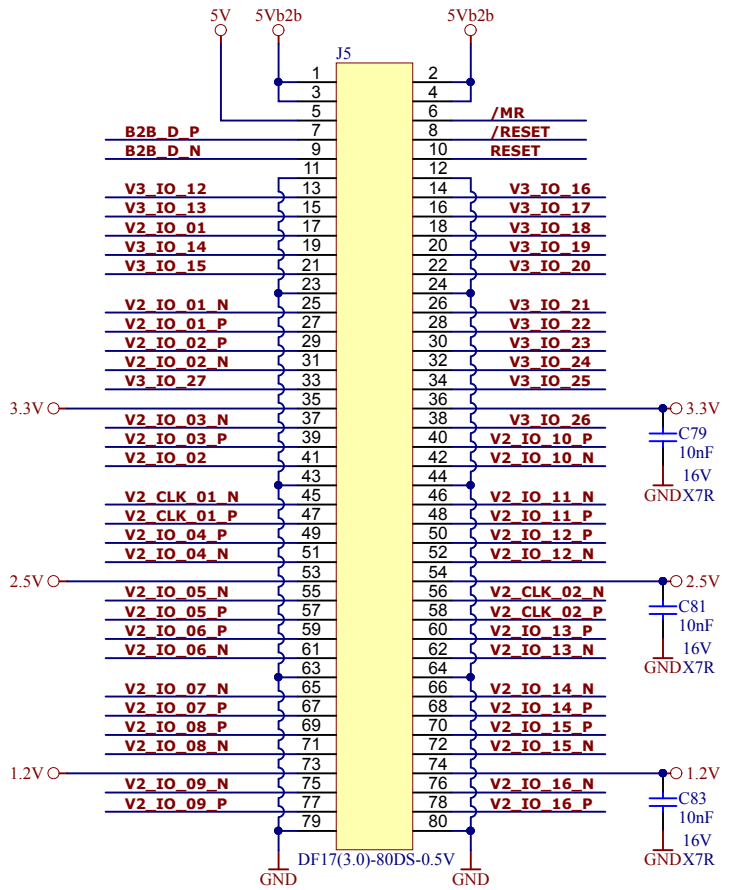
B

C

C

D

D



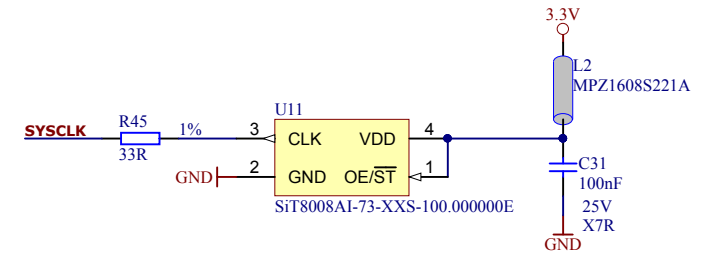
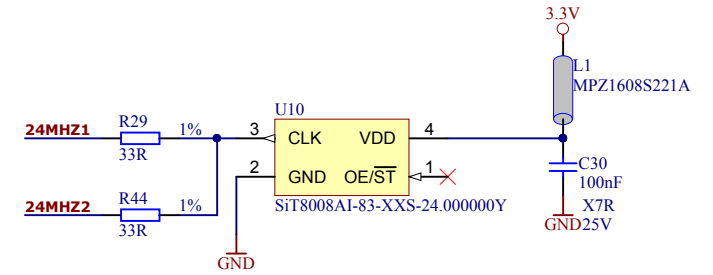
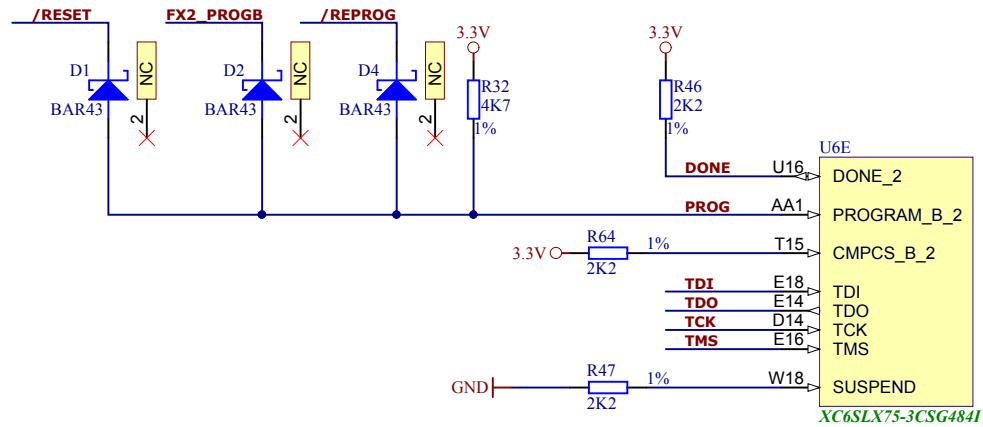
Title: TE0630 - B2B_Connectors		
A4	Number: TE630 TE0630-01IBF	Rev. 01
Date: 2015-10-01	Copyright: Trenz Electronic GmbH / TT	Page2 of 11
Filename: B2B_Connectors.SchDoc		

1

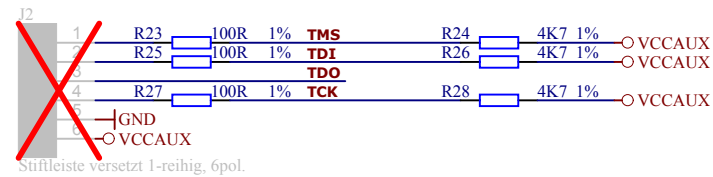
2

3

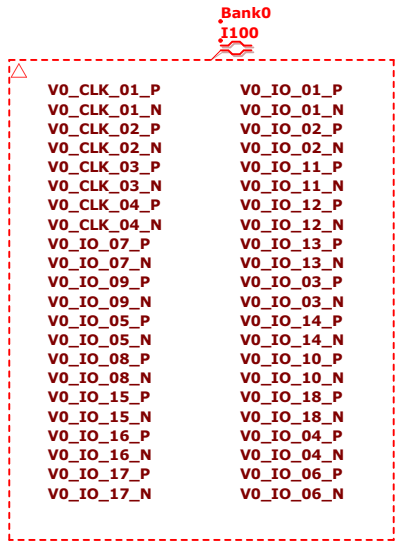
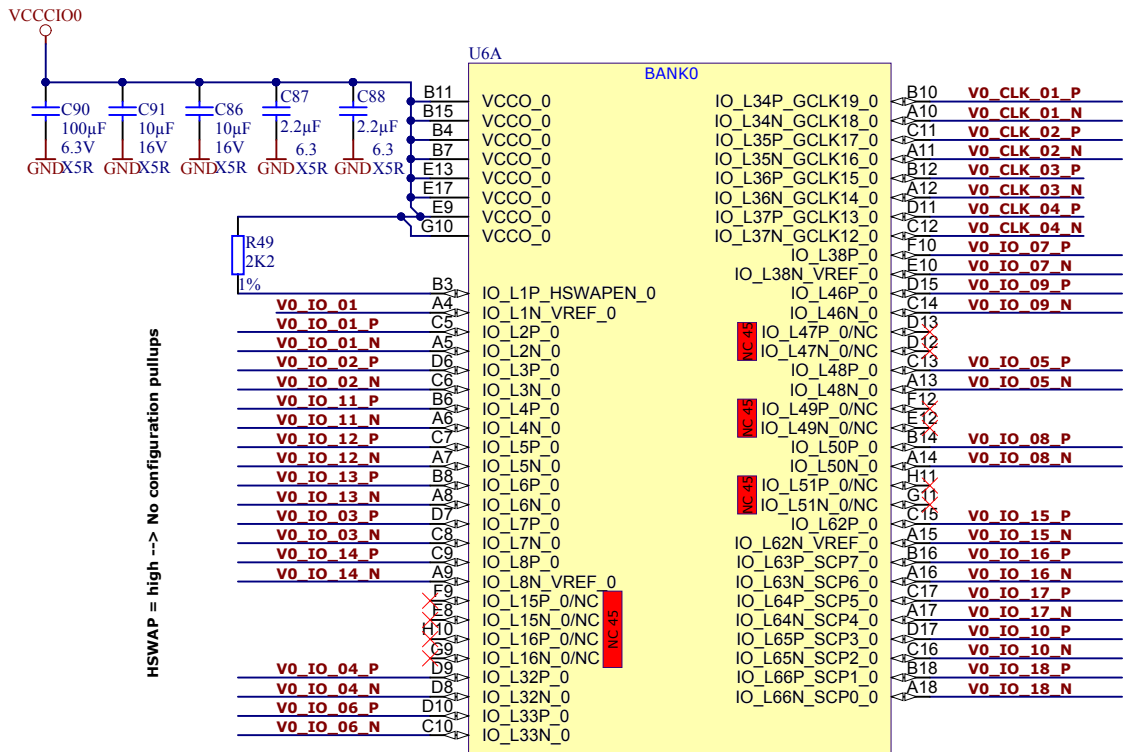
4



- 24MHZ1** TP22 ● Testpoint 0.8mm
- 24MHZ2** TP23 ● Testpoint 0.8mm
- SYSCLK** TP24 ● Testpoint 0.8mm
- PROG** TP29 ● Testpoint 0.8mm

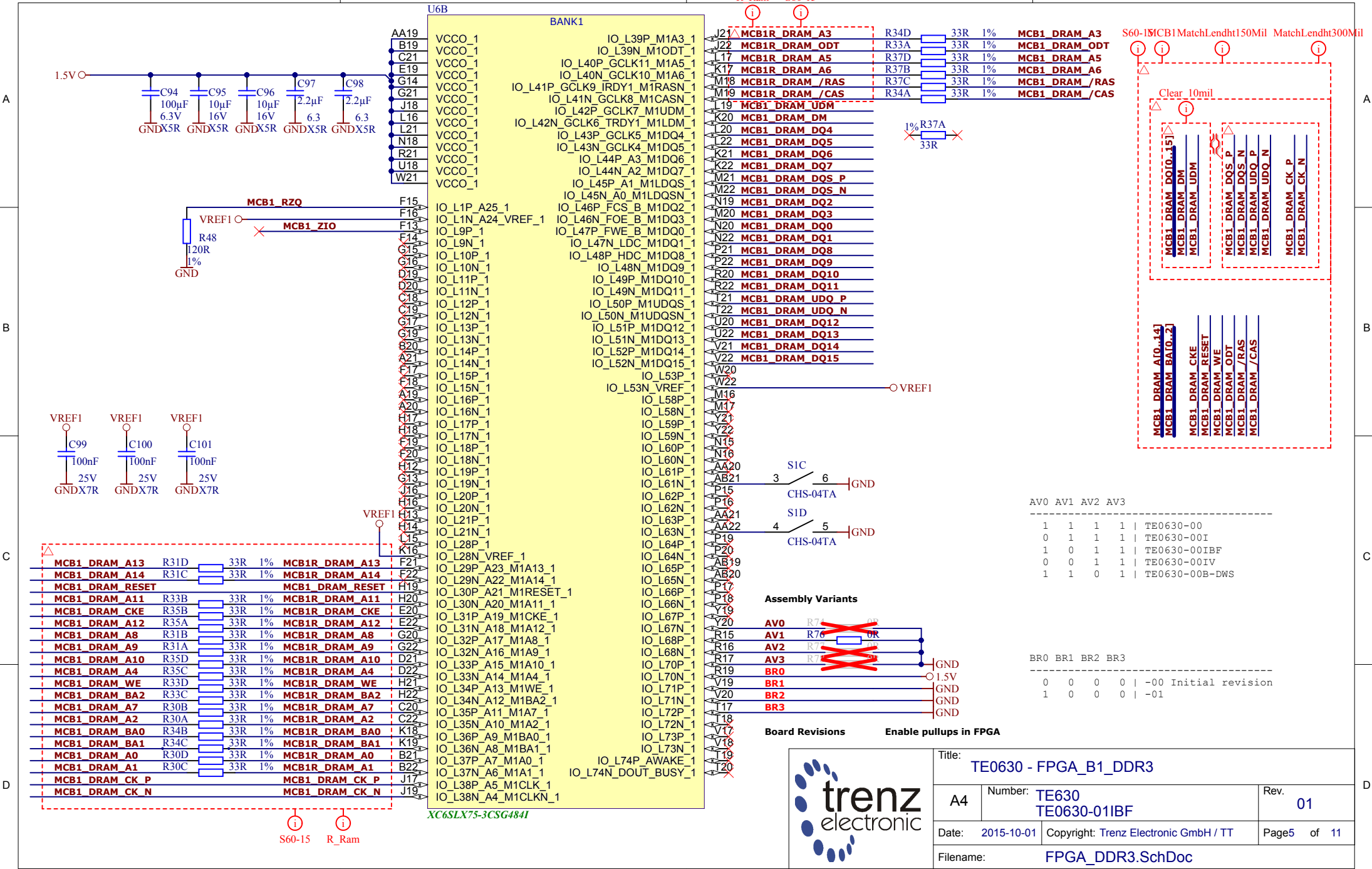


Title: TE0630 - FPGA_CFG_CLK		
A4	Number: TE630 TE0630-01IBF	Rev. 01
Date: 2015-10-01	Copyright: Trenz Electronic GmbH / TT	Page3 of 11
Filename: FPGA_CFG_CLK.SchDoc		

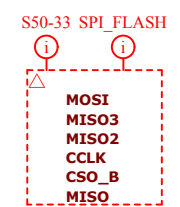
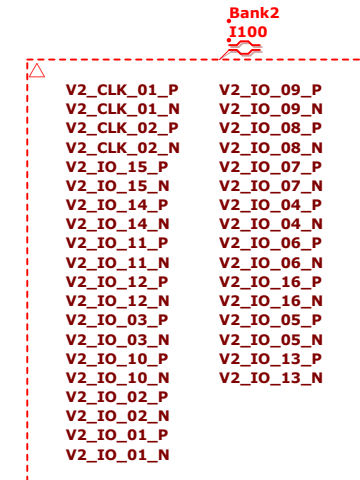
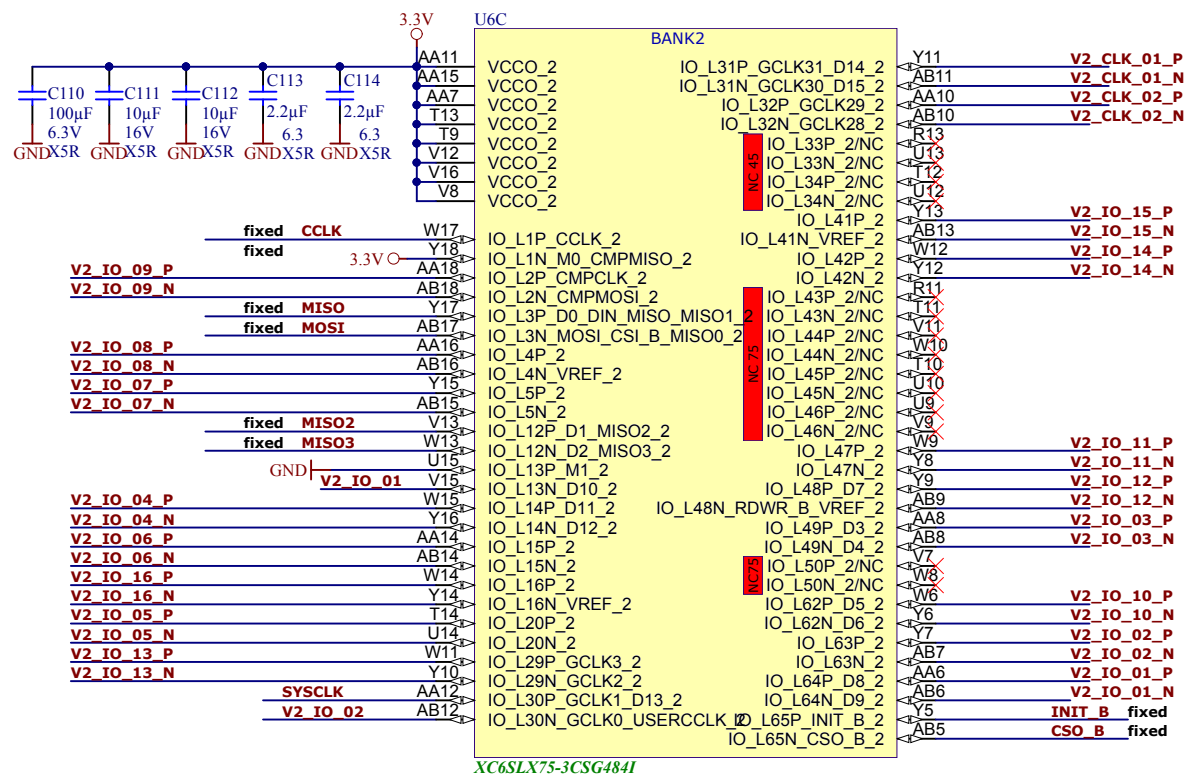


XC6SLX75-3CSG484I

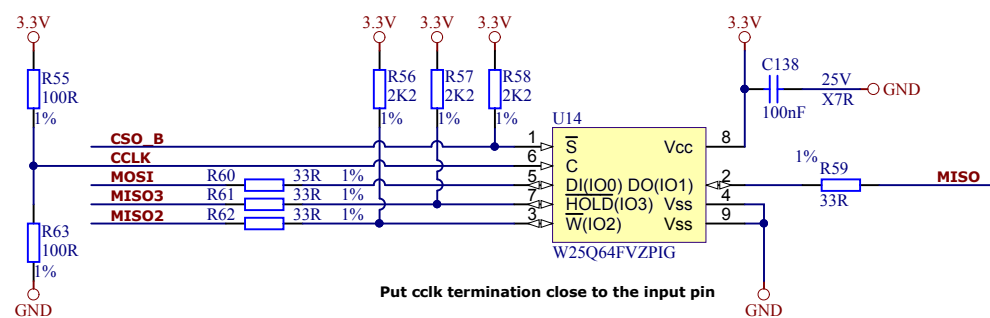
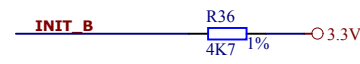
	Title: TE0630 - FPGA_B0		
	A4	Number: TE630 TE0630-01IBF	Rev. 01
	Date: 2015-10-01	Copyright: Trenz Electronic GmbH / TT	Page4 of 11
	Filename: FPGA_B0.SchDoc		



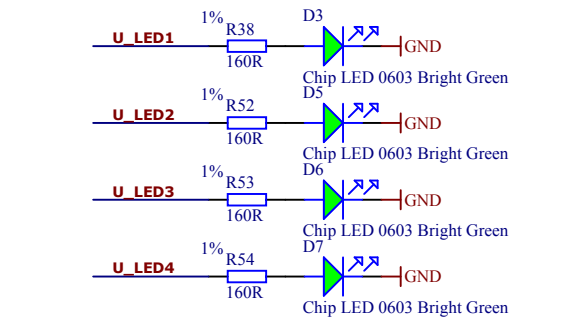
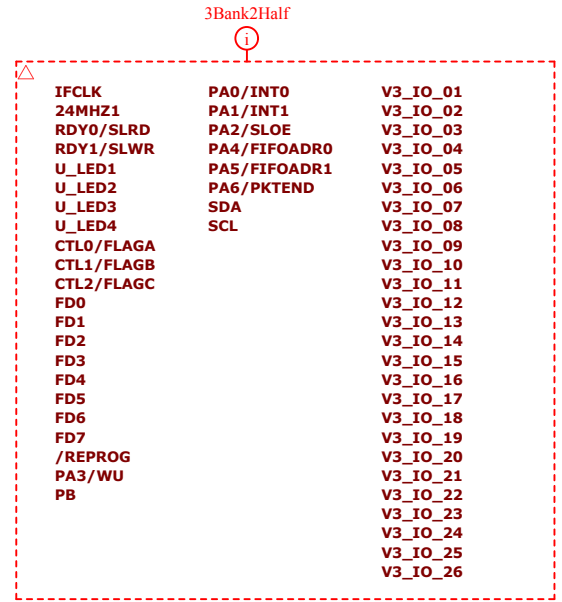
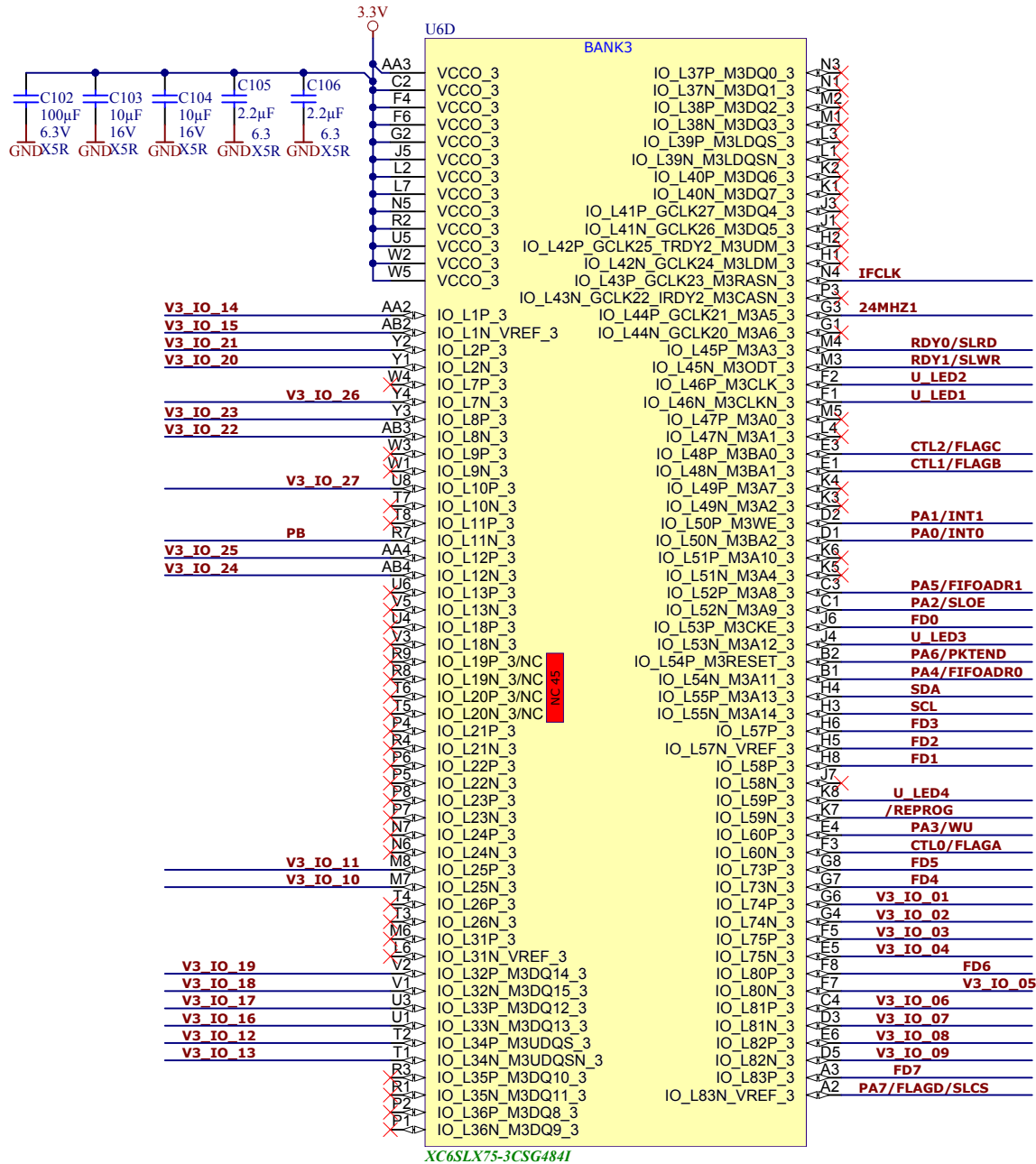
Title: TE0630 - FPGA_B1_DDR3		
A4	Number: TE630 TE0630-01IBF	Rev. 01
Date: 2015-10-01	Copyright: Trenz Electronic GmbH / TT	Page5 of 11
Filename: FPGA_DDR3.SchDoc		



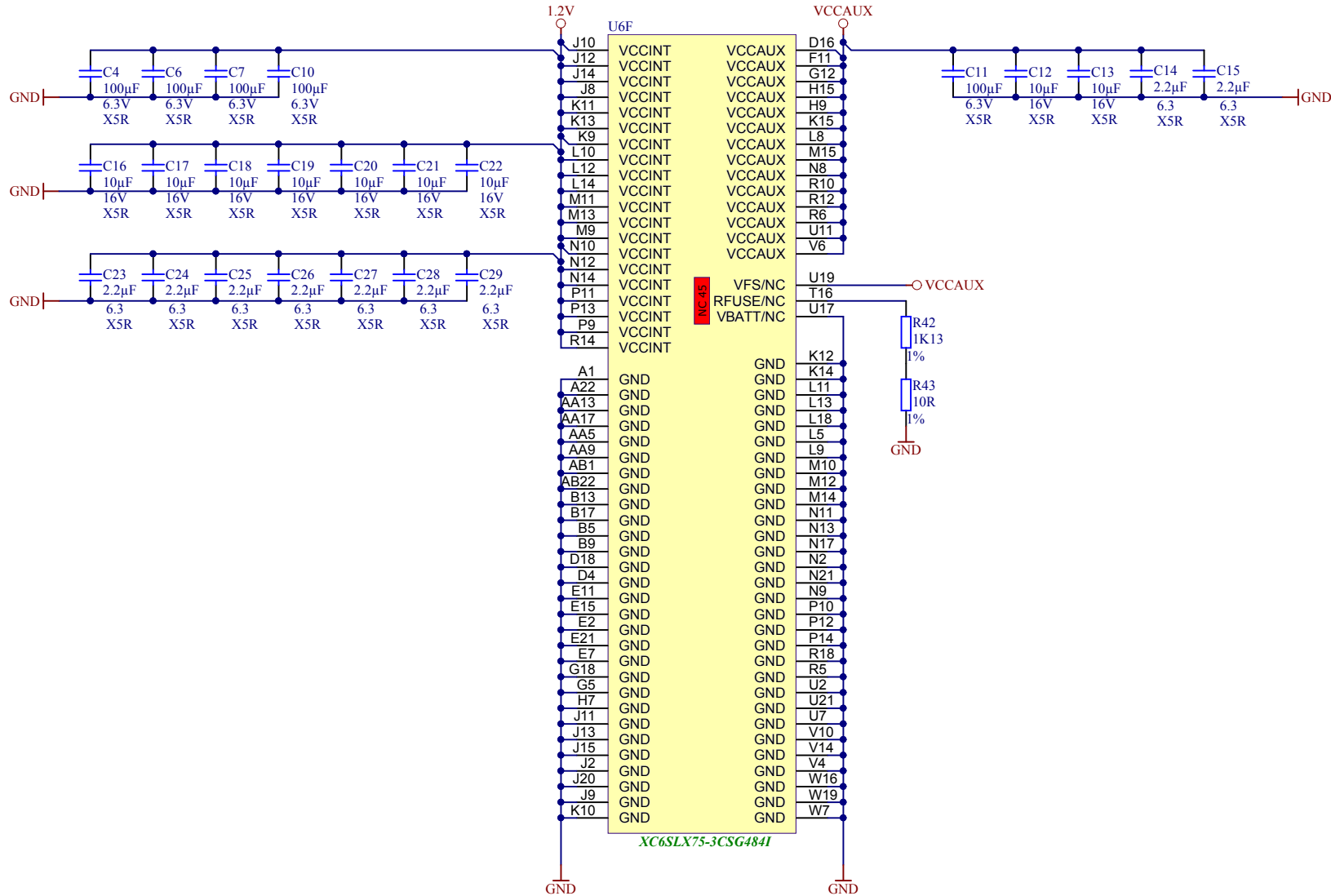

- CSO_B TP16 ● Testpoint 0.8mm
- CCLK TP17 ● Testpoint 0.8mm
- MOSI TP18 ● Testpoint 0.8mm
- MISO3 TP19 ● Testpoint 0.8mm
- MISO2 TP20 ● Testpoint 0.8mm
- MISO TP21 ● Testpoint 0.8mm



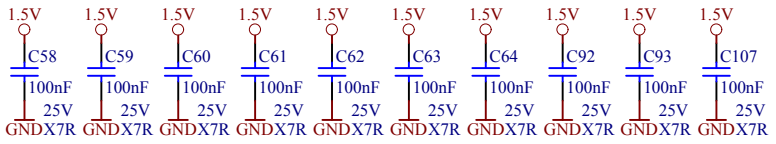
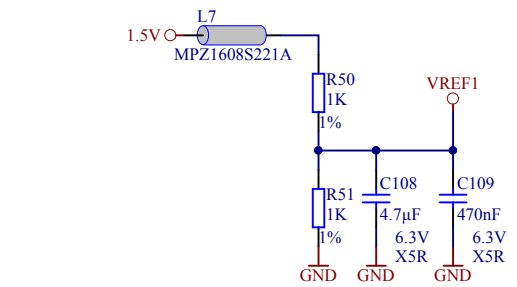
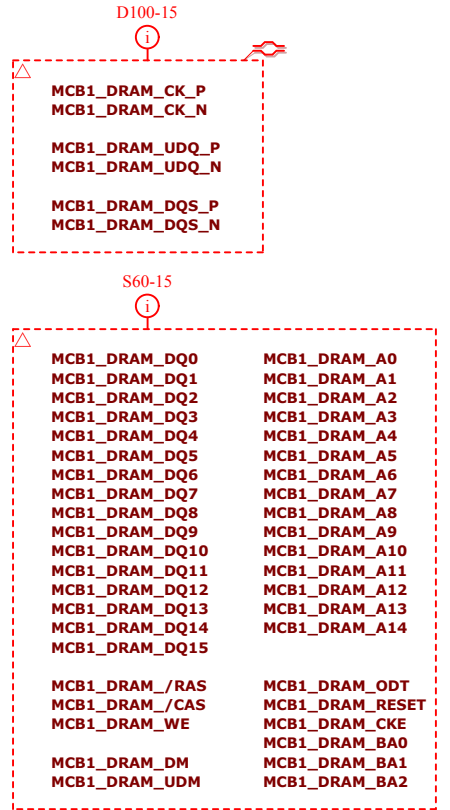
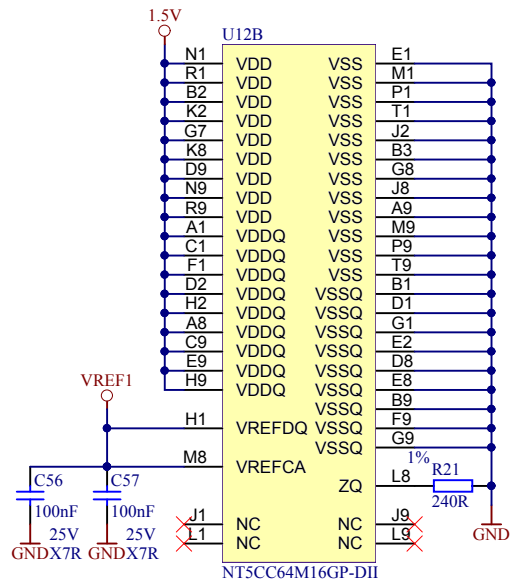
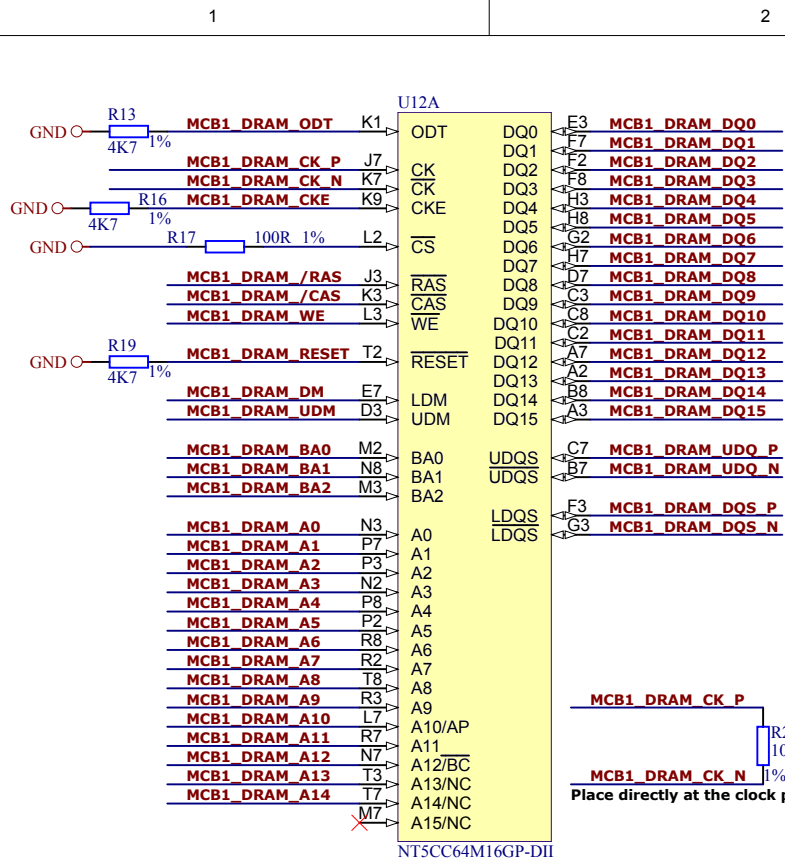
Title: TE0630 - FPGA_B2		
A4	Number: TE630 TE0630-01IBF	Rev. 01
Date: 2015-10-01	Copyright: Trenz Electronic GmbH / TT	Page6 of 11
Filename: FPGA_B2.SchDoc		



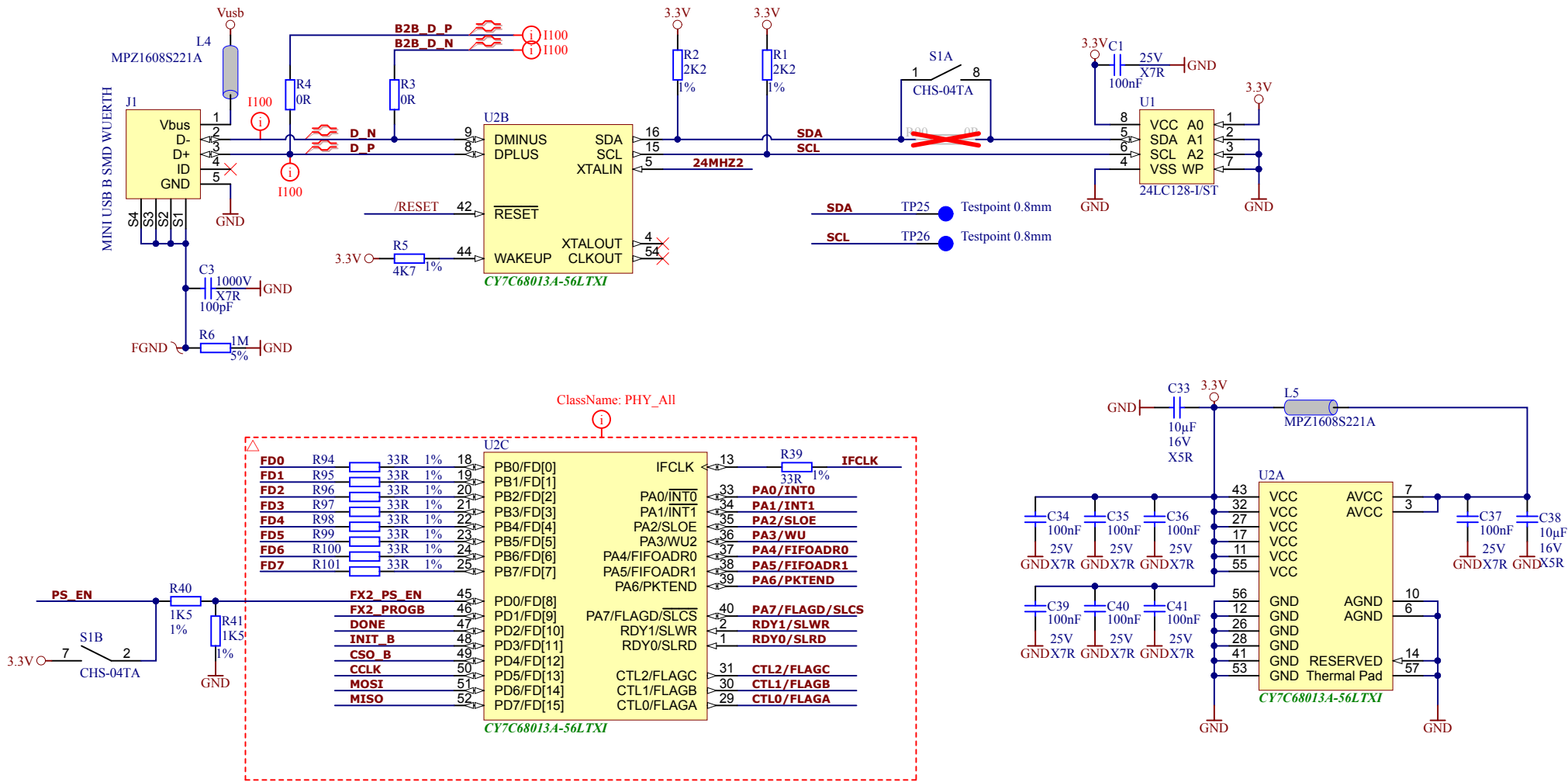
Title: TE0630 - FPGA_B3		
A4	Number: TE630 TE0630-01IBF	Rev. 01
Date: 2015-10-01	Copyright: Trenz Electronic GmbH / TT	Page7 of 11
Filename: FPGA_B3.SchDoc		

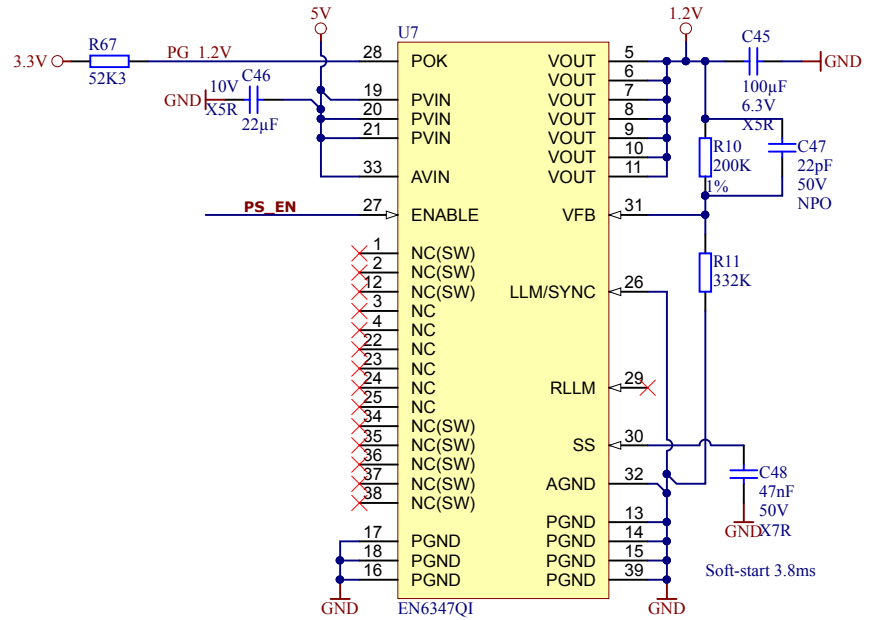
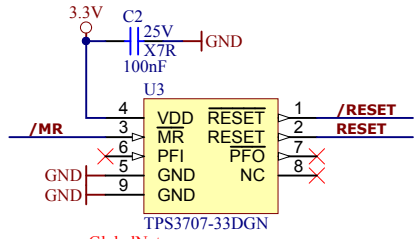
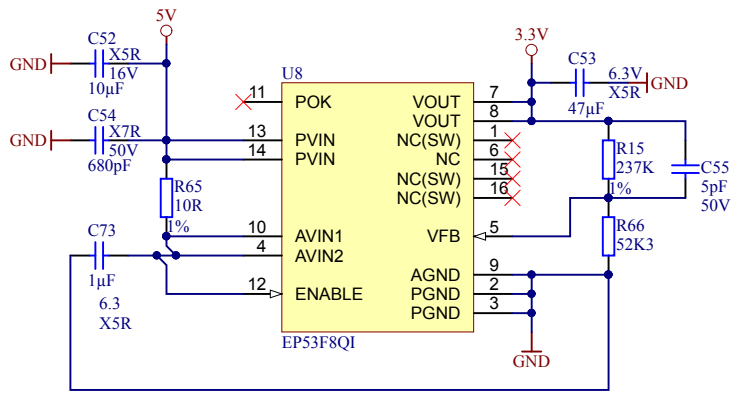
Title: TE0630 - FPGA_PWR		
A4	Number: TE630 TE0630-01IBF	Rev. 01
Date: 2015-10-01	Copyright: Trenz Electronic GmbH / TT	Page8 of 11
Filename: FPGA_PWR.SchDoc		



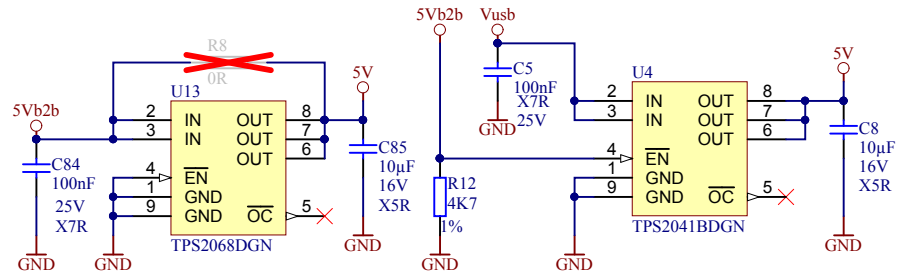
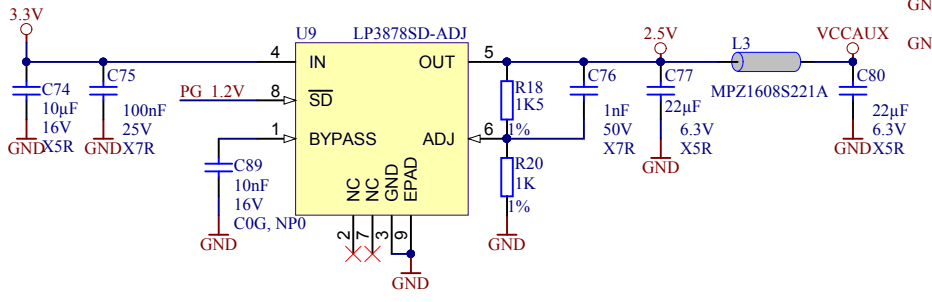
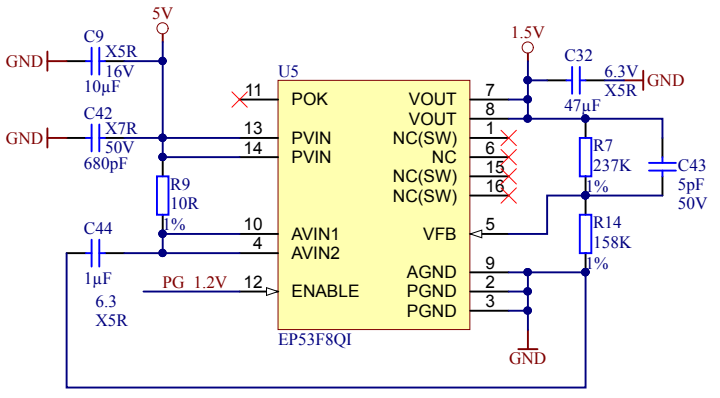
Title: TE0630 - DDR3_RAM		
A4	Number: TE630 TE0630-01IBF	Rev. 01
Date: 2015-10-01	Copyright: Trenz Electronic GmbH / TT	Page9 of 11
Filename: DDR3_RAM.SchDoc		



Title: TE0630 - USB		
A4	Number: TE630 TE0630-01IBF	Rev. 01
Date: 2015-10-01	Copyright: Trenz Electronic GmbH / TT	
Filename: USB.SchDoc		Page 10 of 11



- GlobalNet
- Vusb ○ TP1 Testpoint 0.8mm
 - 5Vb2b ○ TP2 Testpoint 0.8mm
 - 5V ○ TP3 Testpoint 0.8mm
 - 1.5V ○ TP4 Testpoint 0.8mm
 - 2.5V ○ TP5 Testpoint 0.8mm
 - VCCAUX ○ TP6 Testpoint 0.8mm
 - 1.2V ○ TP7 Testpoint 0.8mm
 - 3.3V ○ TP8 Testpoint 0.8mm
 - VREF1 ○ TP9 Testpoint 0.8mm
 - VCCCI00 ○ TP10 Testpoint 0.8mm
 - GND ○ TP11 Testpoint 0.8mm
 - GND ○ TP12 Testpoint 0.8mm
 - GND ○ TP13 Testpoint 0.8mm
 - GND ○ TP14 Testpoint 0.8mm
 - GND ○ TP15 Testpoint 0.8mm
 - GND ○ TP27 Testpoint 0.8mm
 - GND ○ TP28 Testpoint 0.8mm
 - GND ○ TP30 Testpoint 0.8mm
 - GND ○ TP31 Testpoint 0.8mm
 - GND ○ TP32 Testpoint 0.8mm



			Title: TE0630 - POWER	
			A4	Number: TE630 TE0630-01IBF
Date: 2015-10-01		Copyright: Trenz Electronic GmbH / TT		Page 11 of 11
Filename: Power.SchDoc				