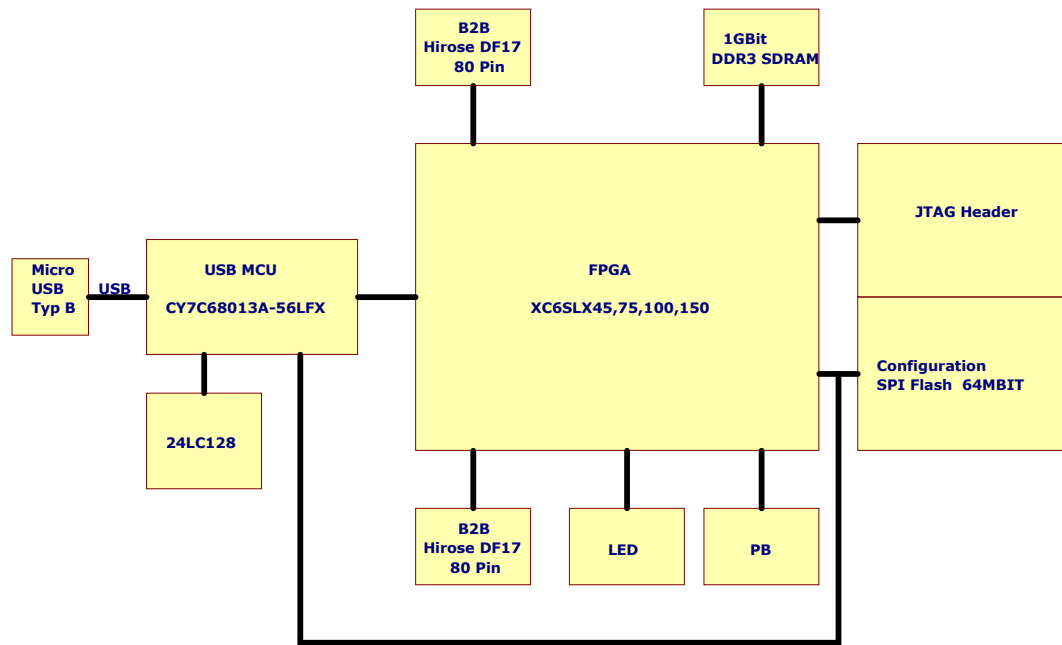
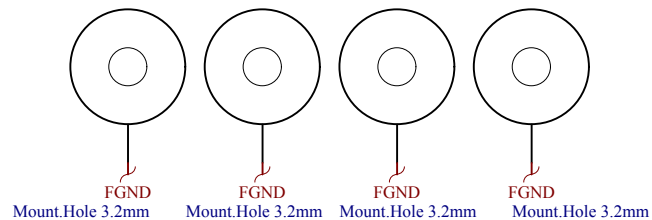
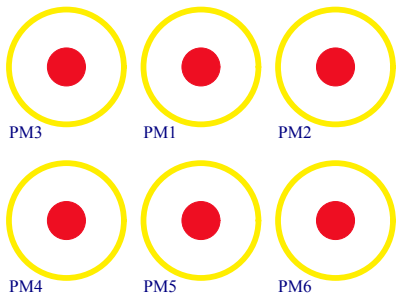


- U_Power
Power.SchDoc
- U_FPGA_PWR
FPGA_PWR.SchDoc
- U_DDR3_RAM
DDR3_RAM.SchDoc
- U_FPGA_CFG_CLK
FPGA_CFG_CLK.SchDoc
- U_FPGA_B3
FPGA_B3.SchDoc
- U_FPGA_DDR3
FPGA_DDR3.SchDoc
- U_FPGA_B2
FPGA_B2.SchDoc
- U_FPGA_B0
FPGA_B0.SchDoc
- U_USB
USB.SchDoc
- U_B2B_Connectors
B2B_Connectors.SchDoc



Serial
Serial
Serialnumber 6,3 x 6,3mm

LOGO1
TE Logo PRINT Layer
LOGO PRINT



Title: TE0630		
A4	Number: TE630 TE0630-01IV	Rev. 01
Date: 2015-10-01	Copyright: Trenz Electronic GmbH / TT	Page1 of 11
Filename: TE0630.SchDoc		

1

2

3

4

A

A

B

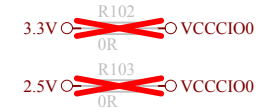
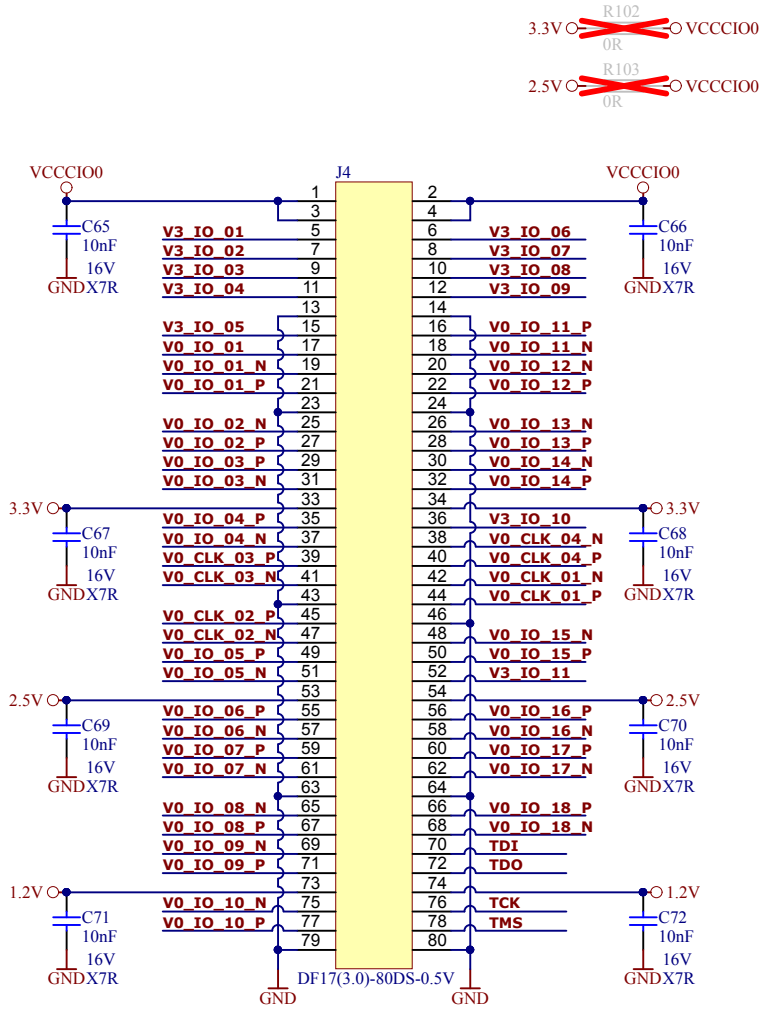
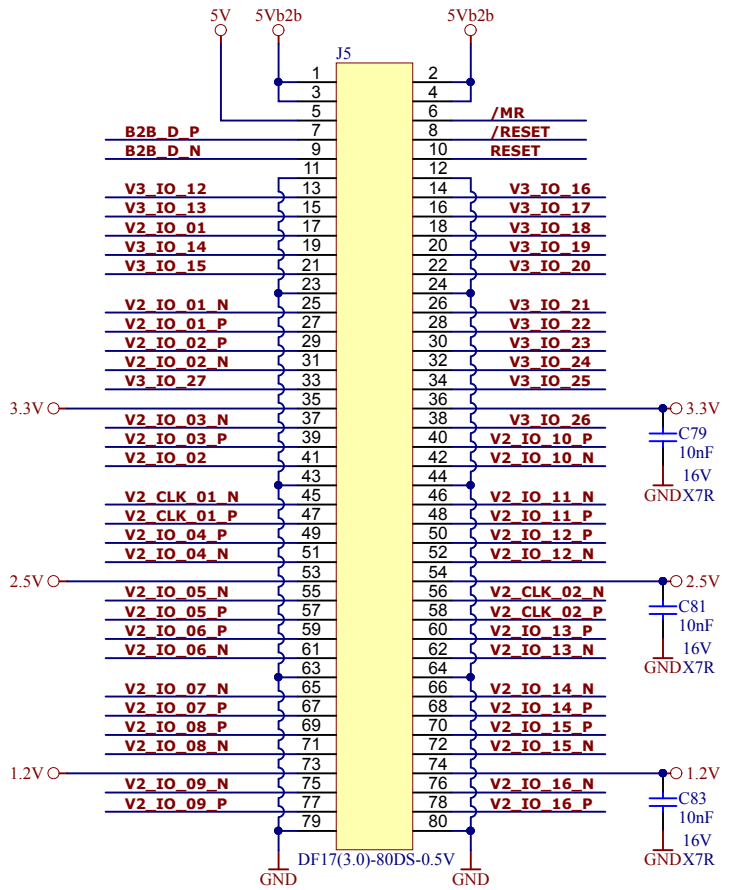
B

C

C

D

D



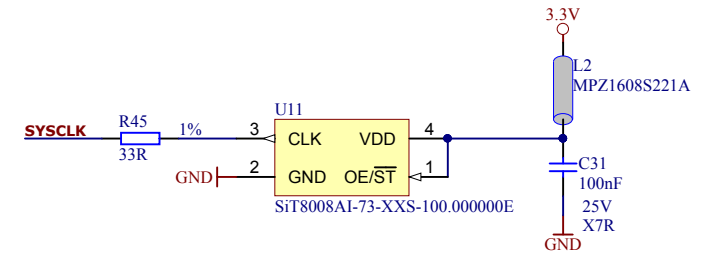
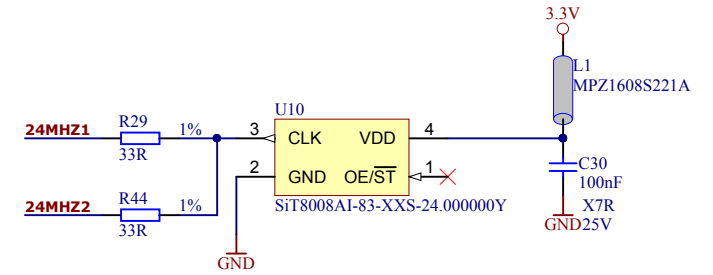
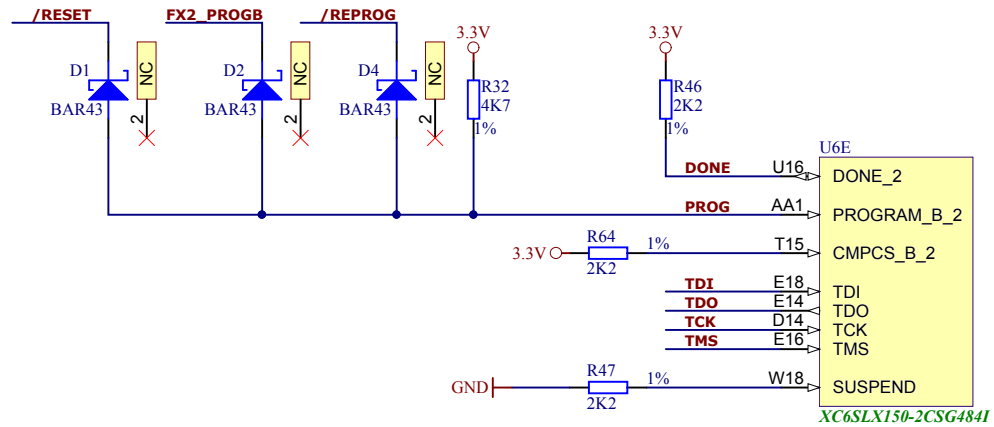
Title: TE0630 - B2B_Connectors		
A4	Number: TE630 TE0630-01IV	Rev. 01
Date: 2015-10-01	Copyright: Trenz Electronic GmbH / TT	Page2 of 11
Filename: B2B_Connectors.SchDoc		

1

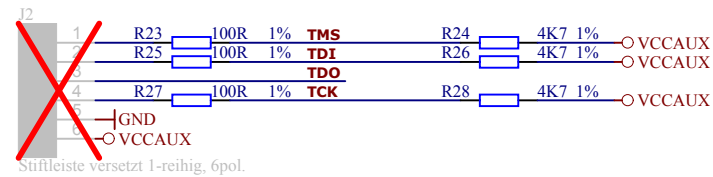
2

3

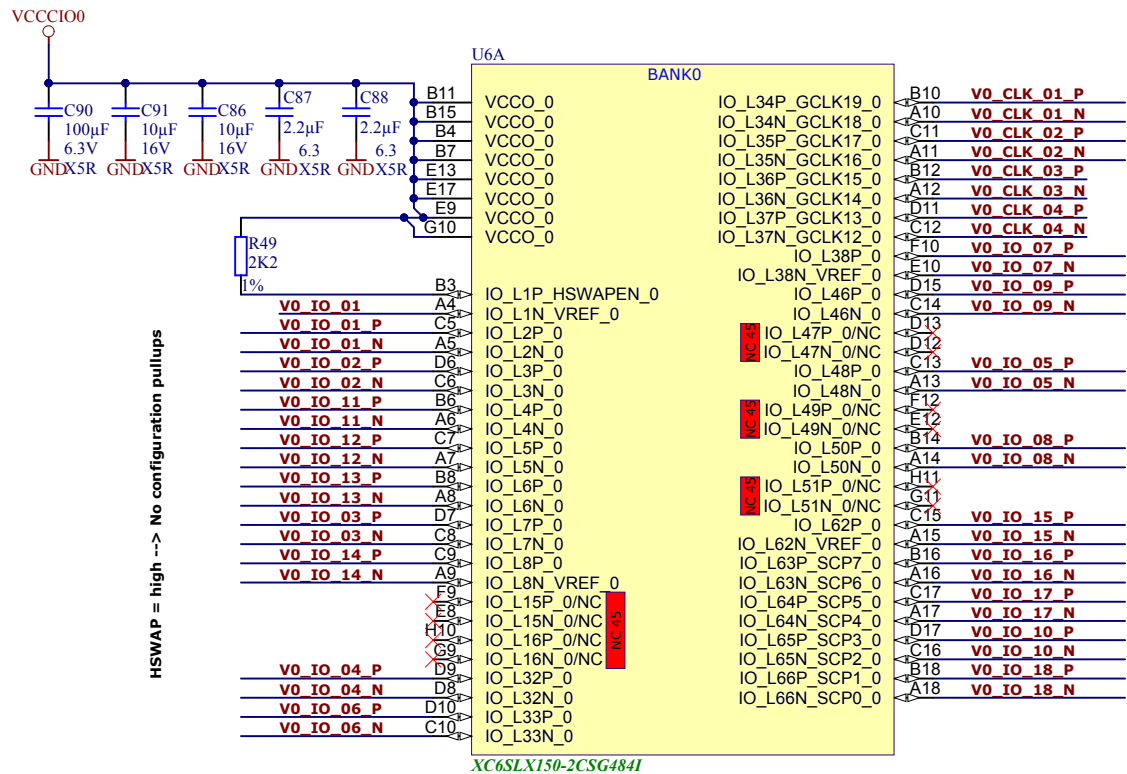
4



- 24MHZ1** TP22 ● Testpoint 0.8mm
- 24MHZ2** TP23 ● Testpoint 0.8mm
- SYSCLK** TP24 ● Testpoint 0.8mm
- PROG** TP29 ● Testpoint 0.8mm

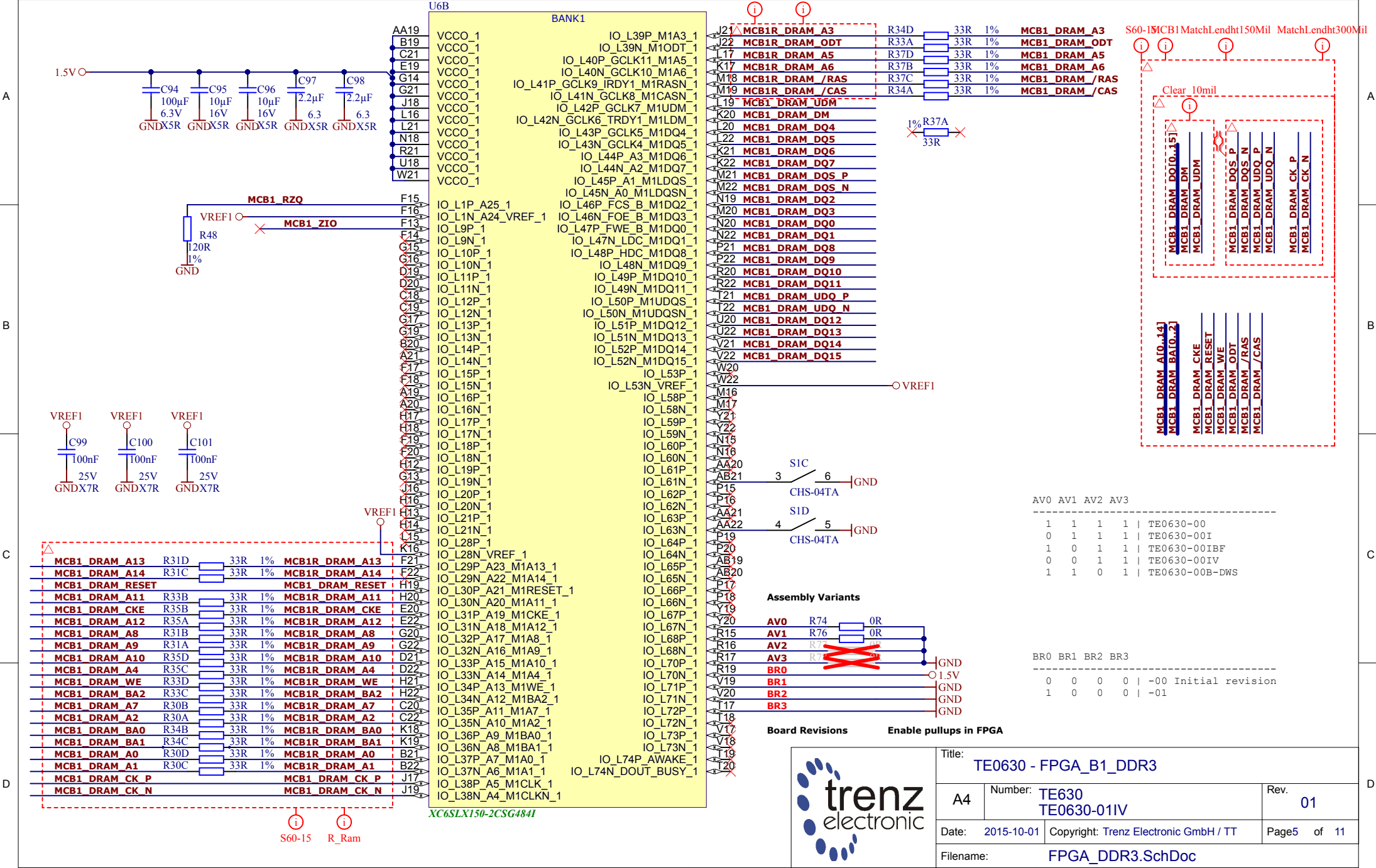


	Title: TE0630 - FPGA_CFG_CLK		
	A4	Number: TE630 TE0630-01IV	Rev. 01
	Date: 2015-10-01	Copyright: Trenz Electronic GmbH / TT	Page3 of 11
	Filename: FPGA_CFG_CLK.SchDoc		

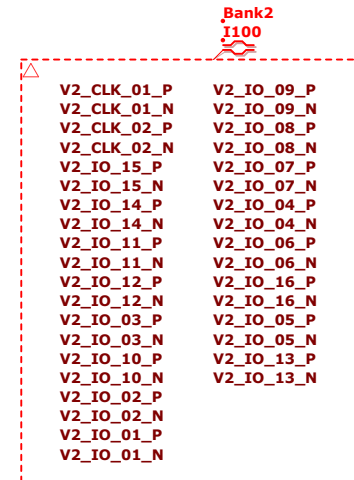
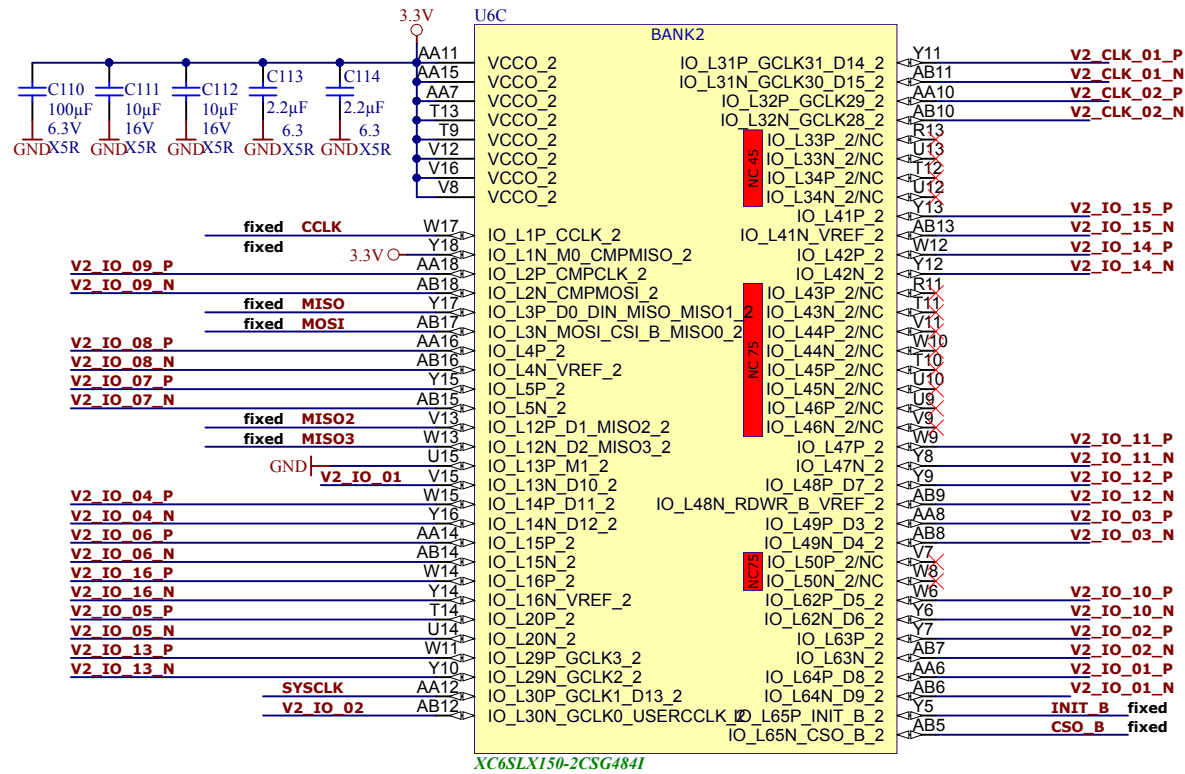


V0_CLK_01_P	V0_IO_01_P
V0_CLK_01_N	V0_IO_01_N
V0_CLK_02_P	V0_IO_02_P
V0_CLK_02_N	V0_IO_02_N
V0_CLK_03_P	V0_IO_03_P
V0_CLK_03_N	V0_IO_03_N
V0_CLK_04_P	V0_IO_04_P
V0_CLK_04_N	V0_IO_04_N
V0_IO_07_P	V0_IO_07_P
V0_IO_07_N	V0_IO_07_N
V0_IO_09_P	V0_IO_09_P
V0_IO_09_N	V0_IO_09_N
V0_IO_05_P	V0_IO_05_P
V0_IO_05_N	V0_IO_05_N
V0_IO_08_P	V0_IO_08_P
V0_IO_08_N	V0_IO_08_N
V0_IO_15_P	V0_IO_15_P
V0_IO_15_N	V0_IO_15_N
V0_IO_16_P	V0_IO_16_P
V0_IO_16_N	V0_IO_16_N
V0_IO_17_P	V0_IO_17_P
V0_IO_17_N	V0_IO_17_N

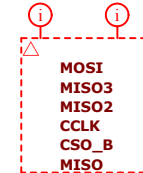
	Title: TE0630 - FPGA_B0		
	A4	Number: TE630 TE0630-01IV	Rev. 01
	Date: 2015-10-01	Copyright: Trenz Electronic GmbH / TT	Page4 of 11
	Filename: FPGA_B0.SchDoc		



Title: TE0630 - FPGA_B1_DDR3			
A4	Number: TE630 TE0630-01IV	Rev. 01	
Date: 2015-10-01	Copyright: Trenz Electronic GmbH / TT	Page5 of 11	
Filename: FPGA_DDR3.SchDoc			

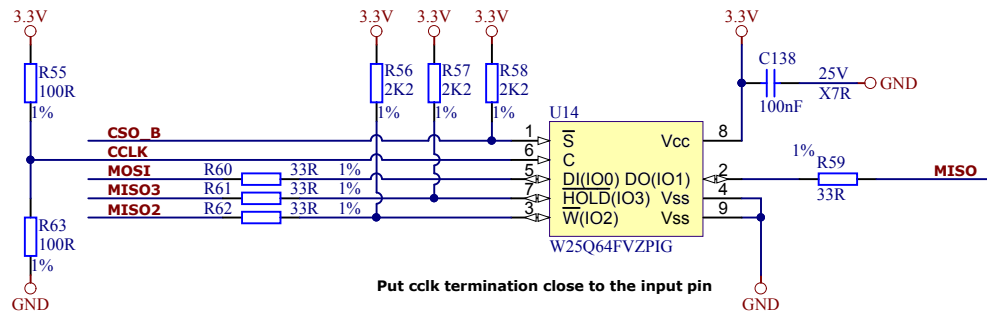
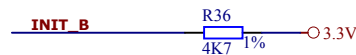


S50-33 SPI_FLASH

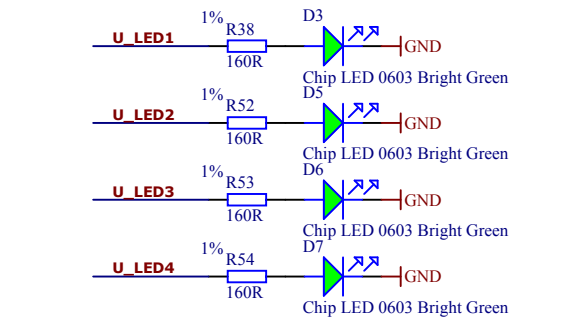
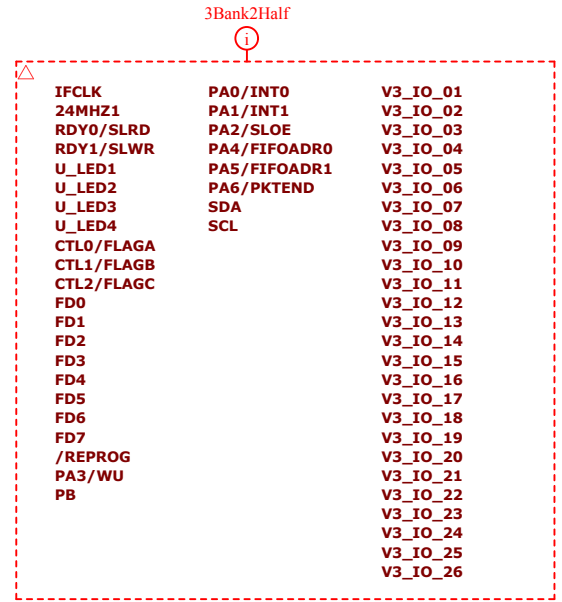
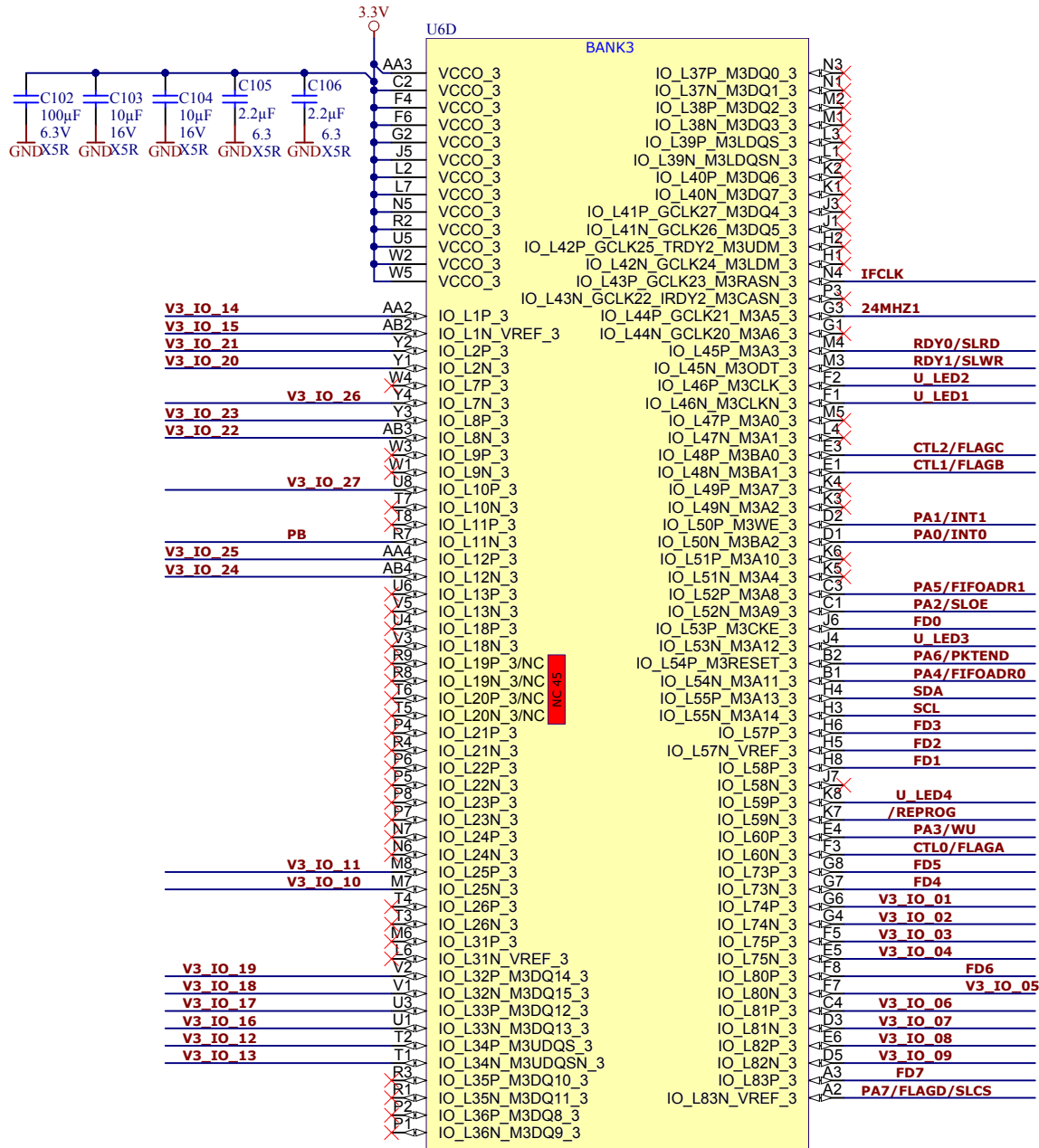


- CSO_B TP16 ● Testpoint 0.8mm
- CCLK TP17 ● Testpoint 0.8mm
- MOSI TP18 ● Testpoint 0.8mm
- MISO3 TP19 ● Testpoint 0.8mm
- MISO2 TP20 ● Testpoint 0.8mm
- MISO TP21 ● Testpoint 0.8mm

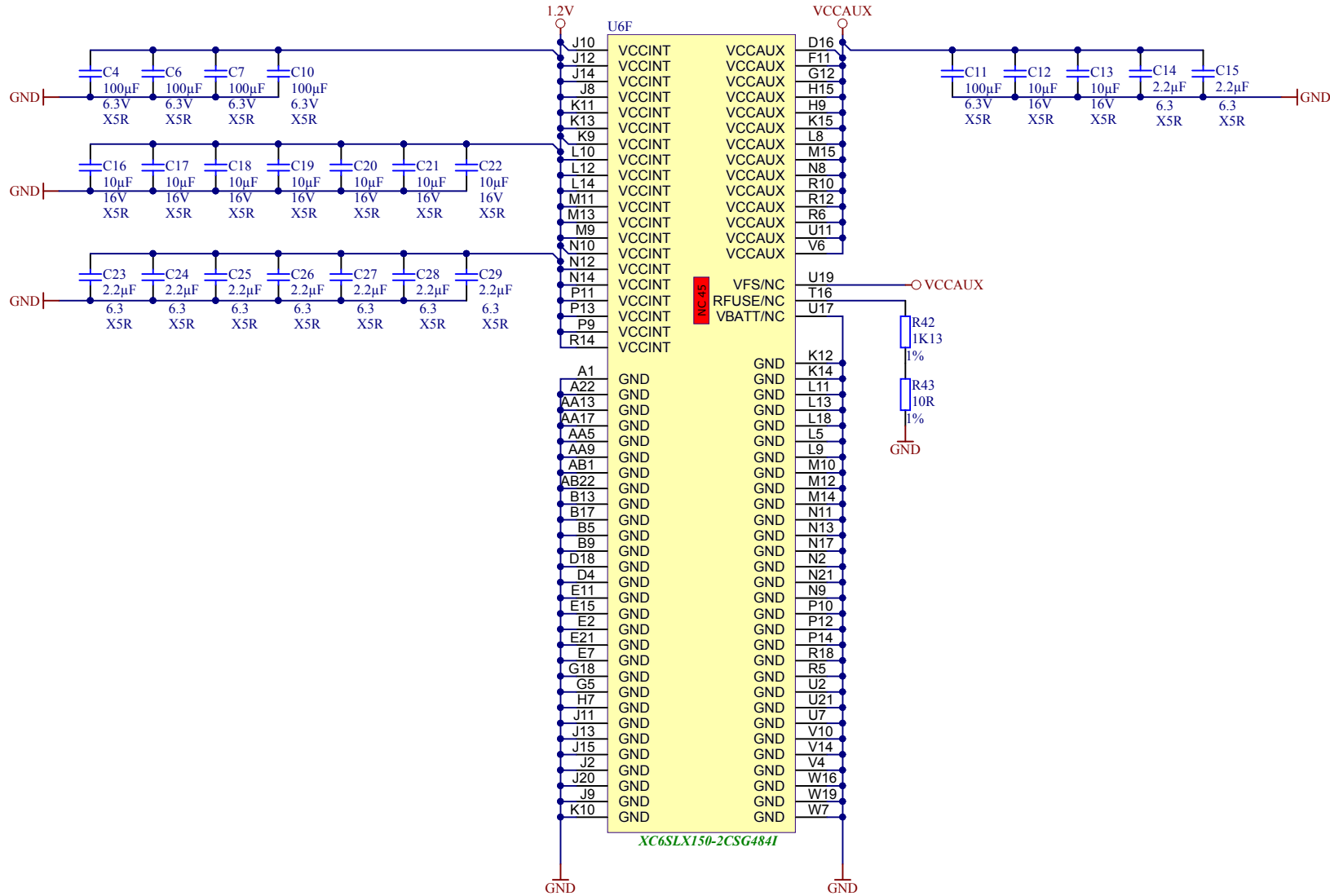
XC6SLX150-2CSG484I




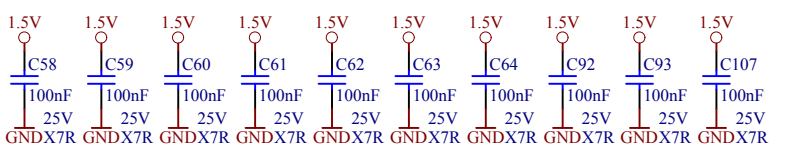
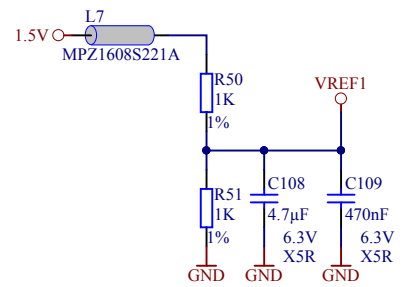
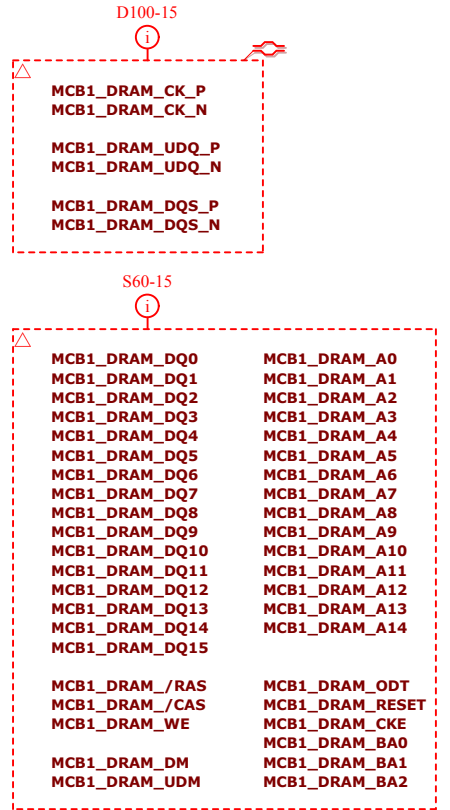
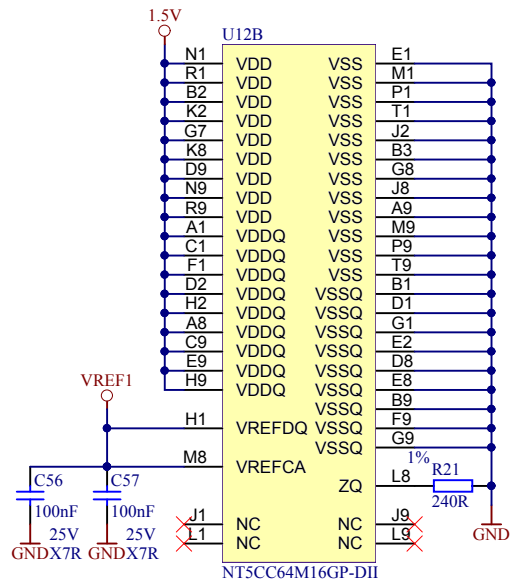
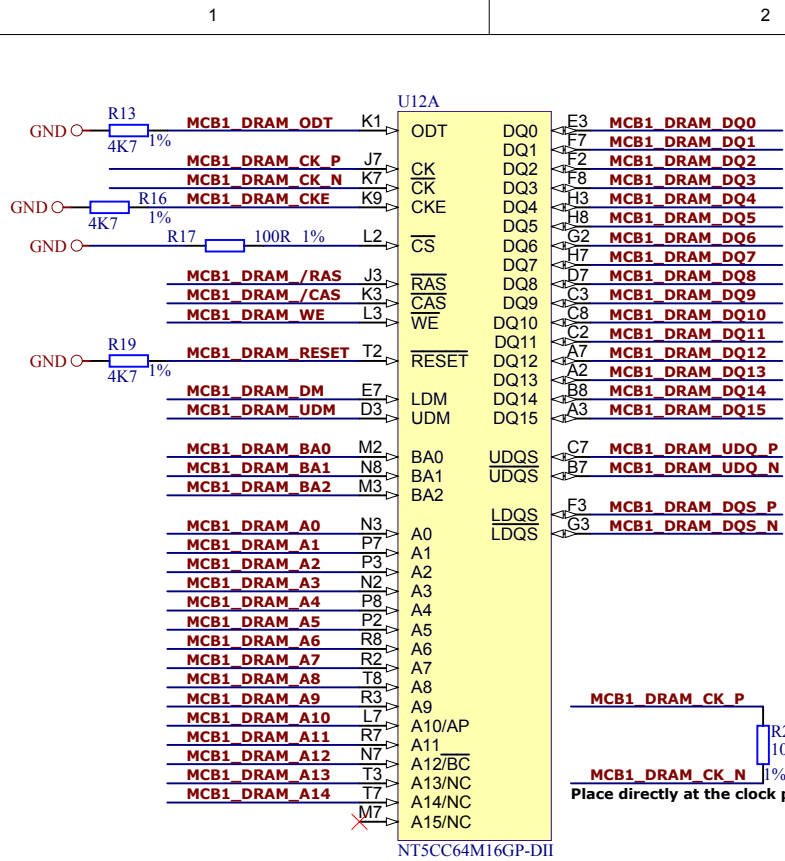
Title: TE0630 - FPGA_B2		
A4	Number: TE630 TE0630-01IV	Rev. 01
Date: 2015-10-01	Copyright: Trenz Electronic GmbH / TT	Page6 of 11
Filename: FPGA_B2.SchDoc		



Title: TE0630 - FPGA_B3		
A4	Number: TE630 TE0630-01IV	Rev. 01
Date: 2015-10-01	Copyright: Trenz Electronic GmbH / TT	Page7 of 11
Filename: FPGA_B3.SchDoc		



	Title: TE0630 - FPGA_PWR		
	A4	Number: TE630 TE0630-01IV	Rev. 01
	Date: 2015-10-01	Copyright: Trenz Electronic GmbH / TT	Page8 of 11
	Filename: FPGA_PWR.SchDoc		



Title: TE0630 - DDR3_RAM		
A4	Number: TE630 TE0630-01IV	Rev. 01
Date: 2015-10-01	Copyright: Trenz Electronic GmbH / TT	Page9 of 11
Filename: DDR3_RAM.SchDoc		

A

A

B

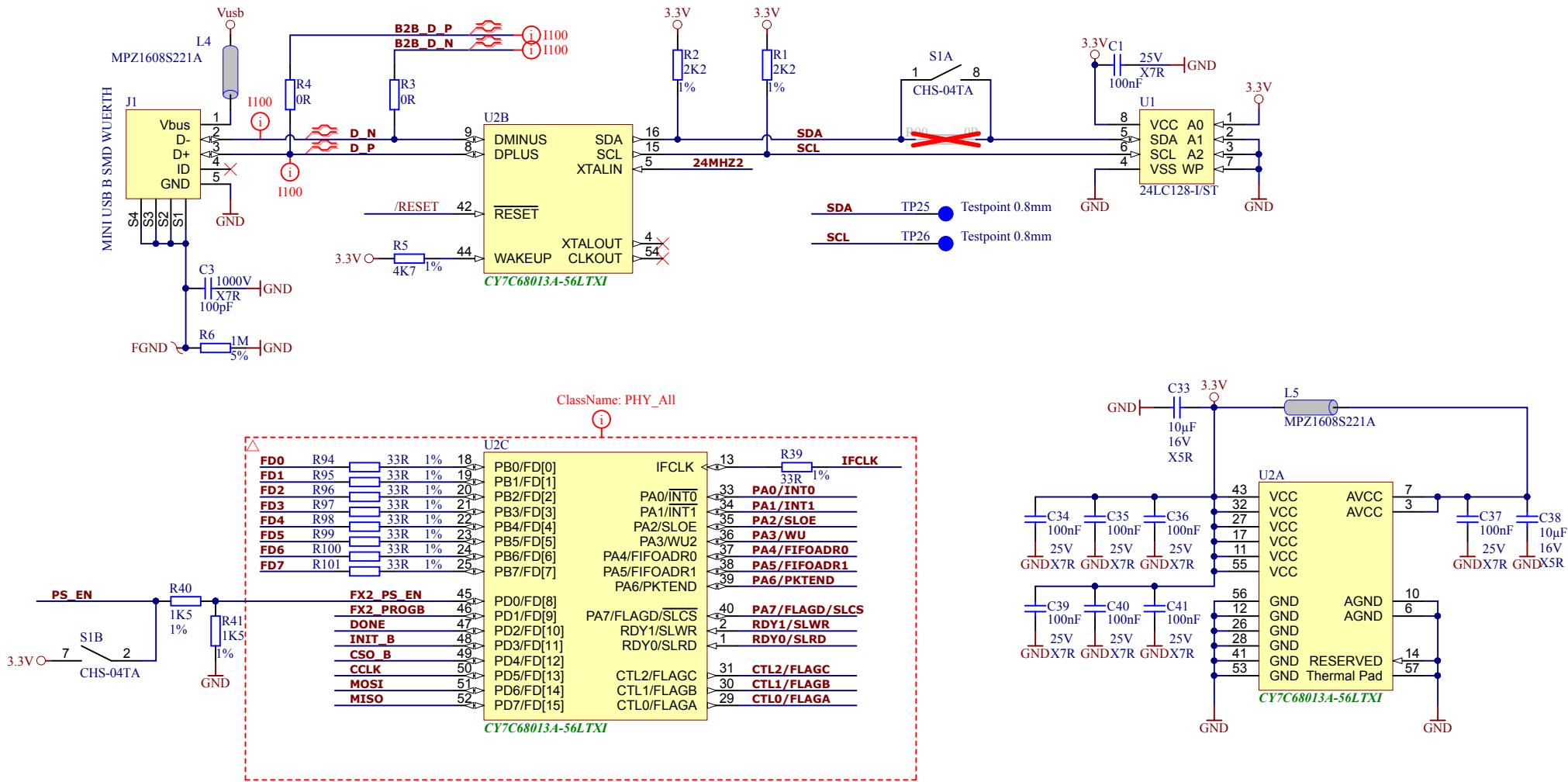
B

C

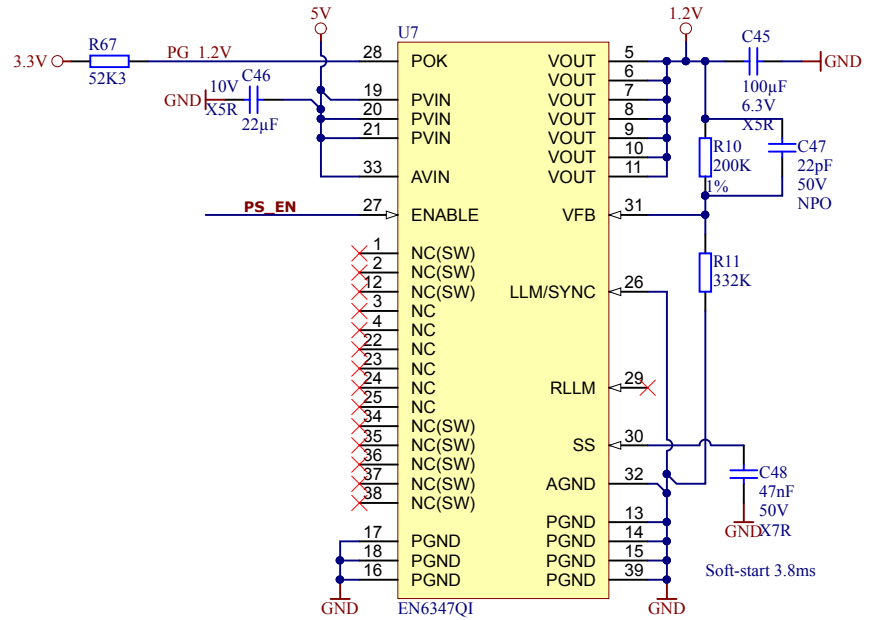
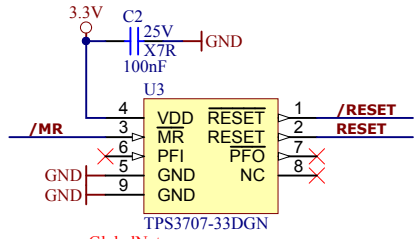
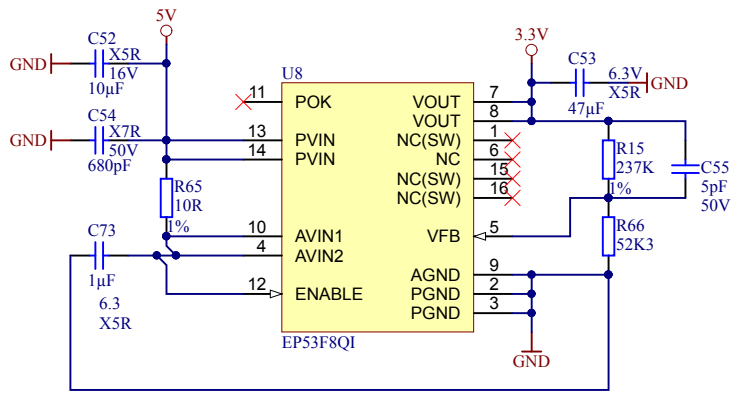
C

D

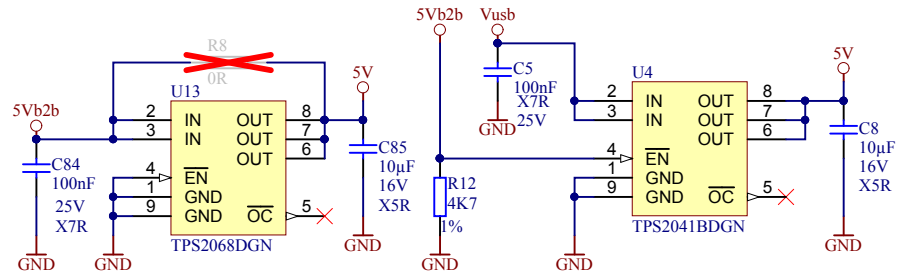
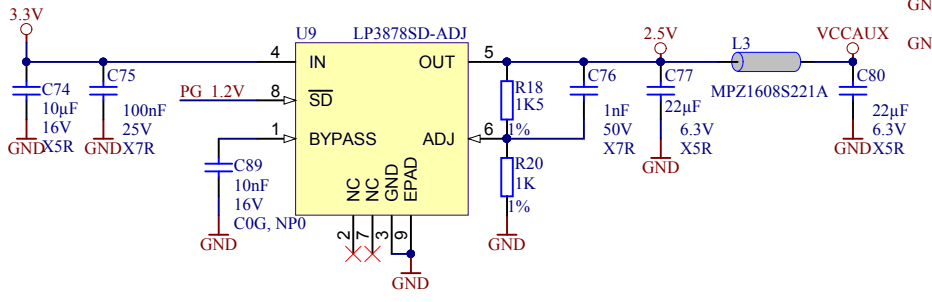
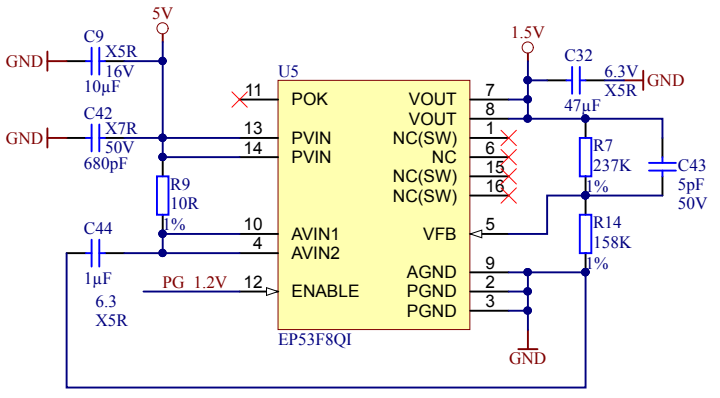
D



Title: TE0630 - USB		
A4	Number: TE630 TE0630-01IV	Rev. 01
Date: 2015-10-01	Copyright: Trenz Electronic GmbH / TT	Page 10 of 11
Filename: USB.SchDoc		



- GlobalNet
- Vusb ○ TP1 Testpoint 0.8mm
 - 5Vb2b ○ TP2 Testpoint 0.8mm
 - 5V ○ TP3 Testpoint 0.8mm
 - 1.5V ○ TP4 Testpoint 0.8mm
 - 2.5V ○ TP5 Testpoint 0.8mm
 - VCCAUX ○ TP6 Testpoint 0.8mm
 - 1.2V ○ TP7 Testpoint 0.8mm
 - 3.3V ○ TP8 Testpoint 0.8mm
 - VREF1 ○ TP9 Testpoint 0.8mm
 - VCCCI00 ○ TP10 Testpoint 0.8mm
 - GND ○ TP11 Testpoint 0.8mm
 - GND ○ TP12 Testpoint 0.8mm
 - GND ○ TP13 Testpoint 0.8mm
 - GND ○ TP14 Testpoint 0.8mm
 - GND ○ TP15 Testpoint 0.8mm
 - GND ○ TP27 Testpoint 0.8mm
 - GND ○ TP28 Testpoint 0.8mm
 - GND ○ TP30 Testpoint 0.8mm
 - GND ○ TP31 Testpoint 0.8mm
 - GND ○ TP32 Testpoint 0.8mm



			Title: TE0630 - POWER	
			A4	Number: TE630 TE0630-01IV
Date: 2015-10-01		Copyright: Trenz Electronic GmbH / TT		Page 11 of 11
Filename: Power.SchDoc				