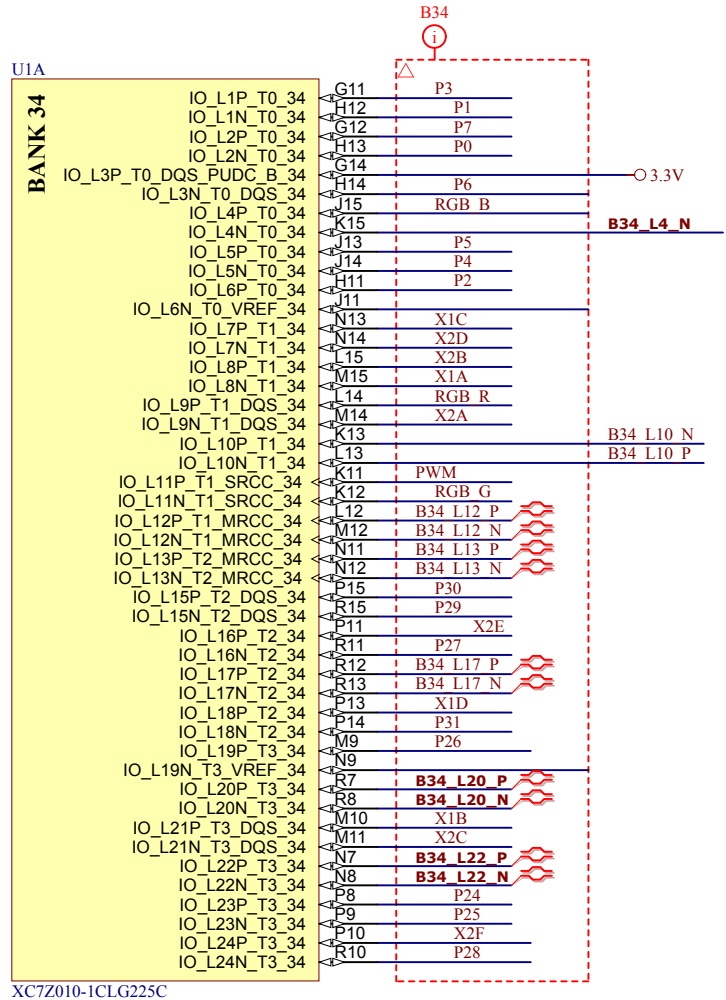
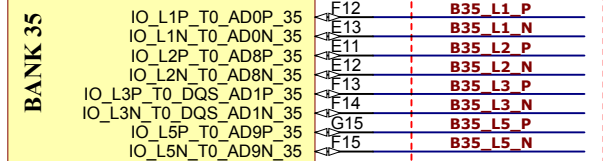


Title		
Size	Number	Revision
A		
Date:	15.07.2015	Sheet of
File:	B:\SVN\..POWER.SchDoc	Drawn By:



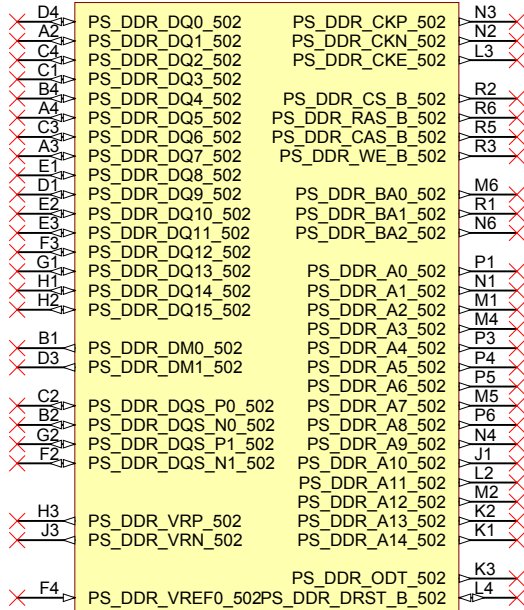
Title: TE0722		
A4	Nummer: 2	Rev. 01
Datum: 07.11.2014	Zeichner: Trenz Electronic GmbH	Blatt 2 von 8
Filename: FPGA_B34.SchDoc		

UIB




XC7Z010-1CLG225C

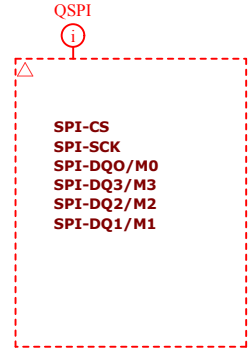
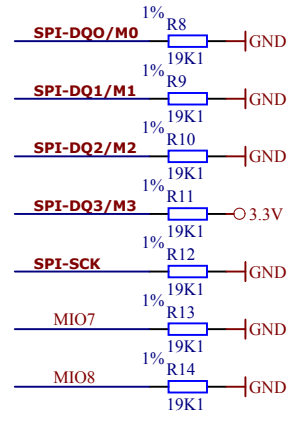
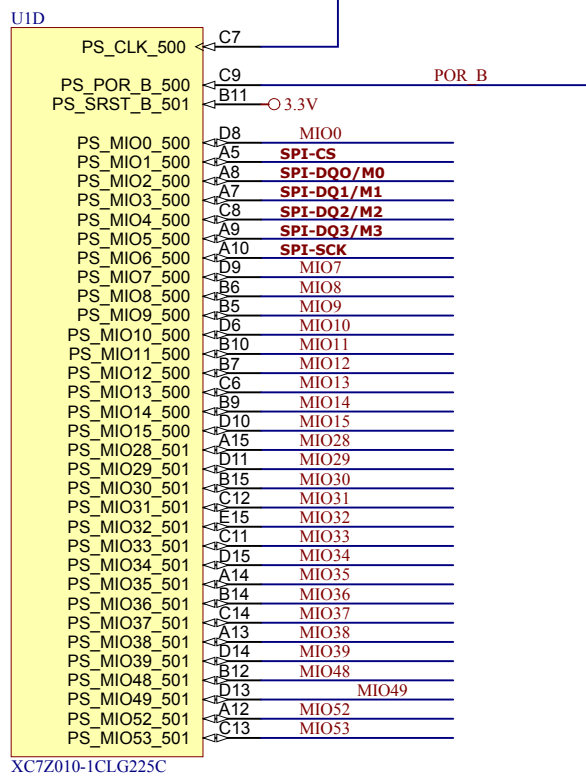
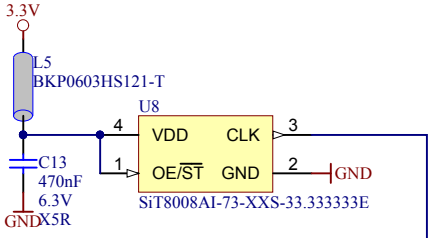
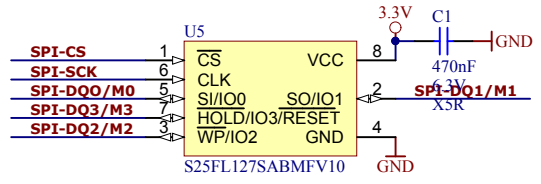
UIE



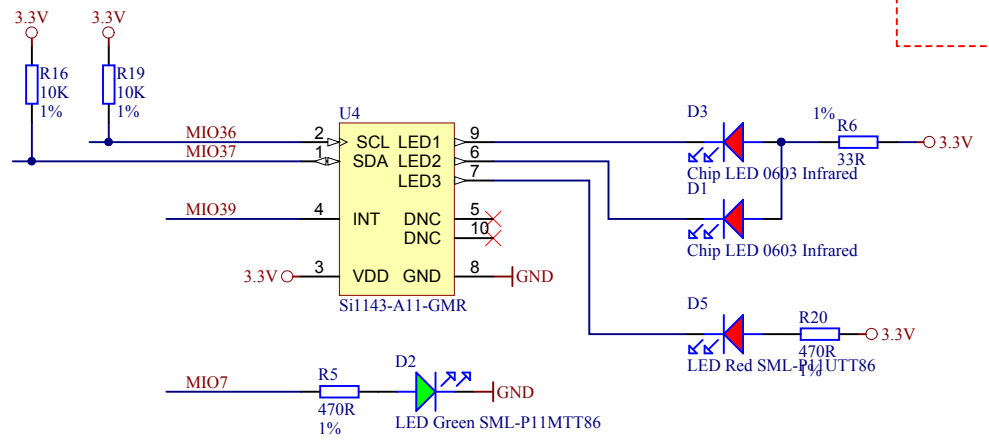
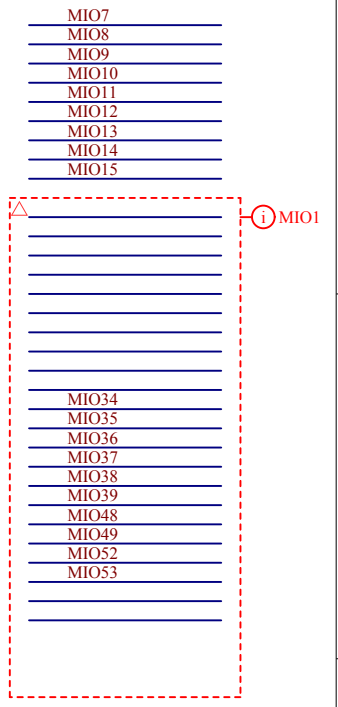
XC7Z010-1CLG225C



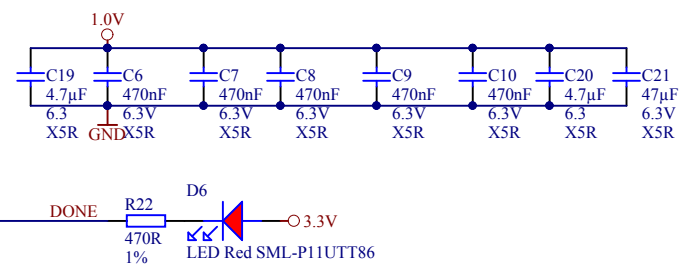
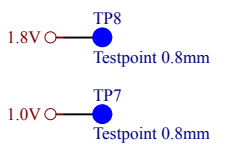
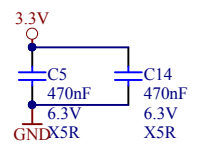
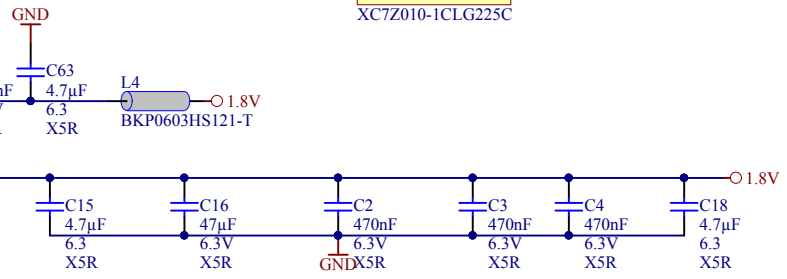
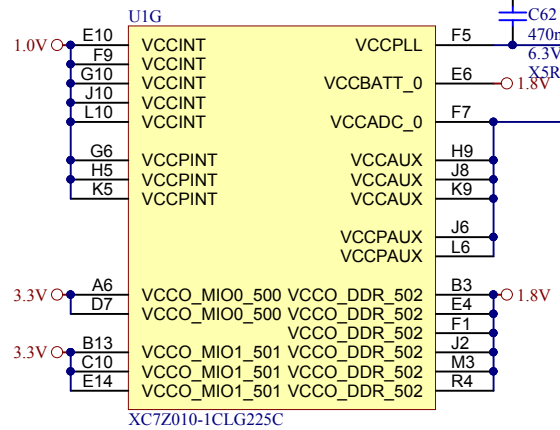
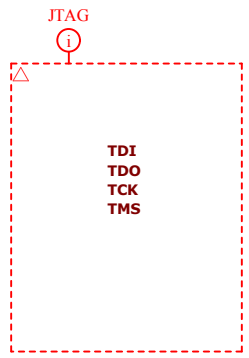
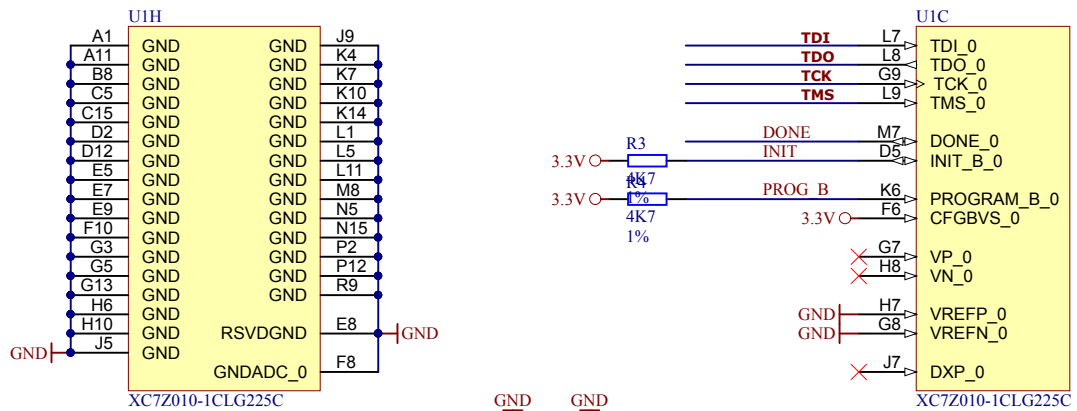
Title: TE0722		
A4	Nummer: 3	Rev. 01
Datum: 07.11.2014	Zeichner: Trenz Electronic GmbH	Blatt 3 von 8
Filename: FPGA_B35.SchDoc		



MIO28
MIO29
MIO30
MIO31
MIO32
MIO33



Title: TE0722		
A4	Number: 4	Rev. 01
Datum: 07.11.2014	Zeichner: Trenz Electronic GmbH	Blatt 4 von 8
Filename: FPGA_MIO.SchDoc		



		Title: TE0722	
		A4	Rev. 01
Datum: 07.11.2014		Zeichner: Trenz Electronic GmbH	
Filename: FPGA_PWR.SchDoc		Blatt 6 von 8	

1

2

3

4

A

A

B

B

C

C

D

D

U_TE0722
TE0722.SchDoc



Title: TE0722		
A4	Number: 7 TE0722-01-FULL	Rev. 01
Date: 07.11.2014	Copyright: Trenz Electronic GmbH	Page 7 of 8
Filename: SoftPropeller_V1_40P14.SchDoc		

1

2

3

4

U_POWER
POWER.SchDoc

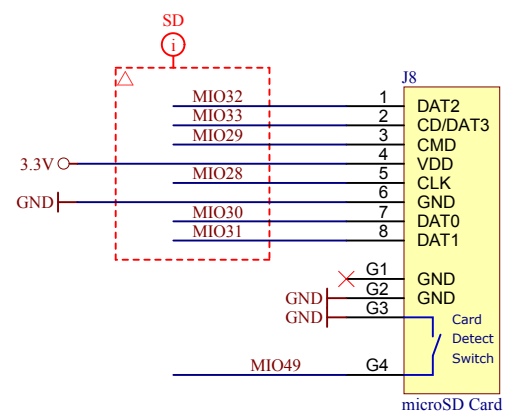
U_FPGA_B34
FPGA_B34.SchDoc

U_FPGA_B35
FPGA_B35.SchDoc

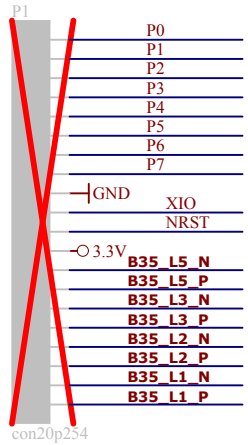
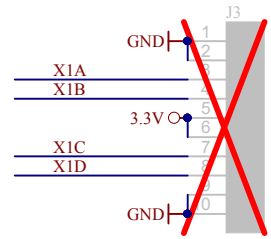
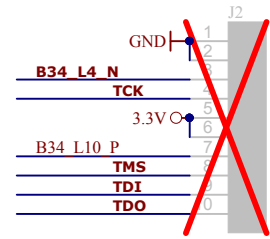
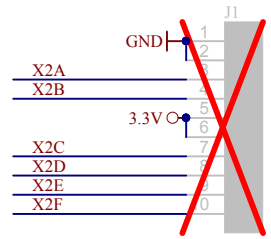
U_FPGA_MIO
FPGA_MIO.SchDoc

U_FPGA_RAM
FPGA_RAM.SchDoc

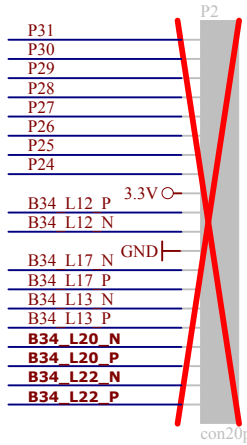
U_FPGA_PWR
FPGA_PWR.SchDoc



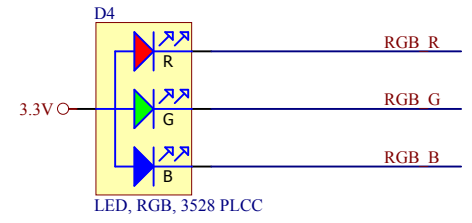
microSD Card Header with Detect Switch



con20p254



con20p254



LED, RGB, 3528 PLCC



Title: TE0722		
A4	Number: 8 TE0722-01-FULL	Rev. 01
Date: 07.11.2014	Copyright: Trenz Electronic GmbH	Page 8 of 8
Filename: TE0722.SchDoc		