

U_A-Headers
A-Headers.SchDoc



U_Analog
Analog.SchDoc



U_DDR3-RAM
DDR3-RAM.SchDoc



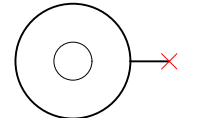
U_USB-PHY
USB-PHY.SchDoc



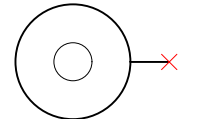
U_PowerSupply
PowerSupply.SchDoc



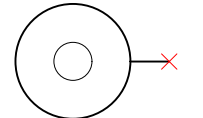
U_FTDI
FTDI.SchDoc



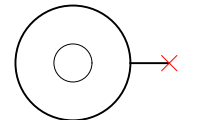
Mount.Hole 3.2mm (unplated)



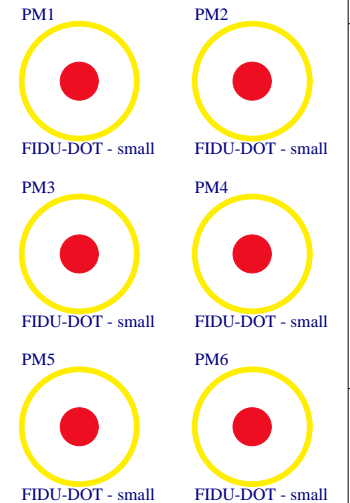
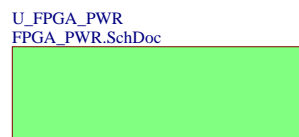
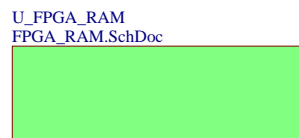
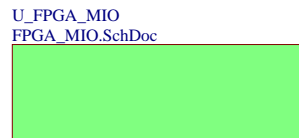
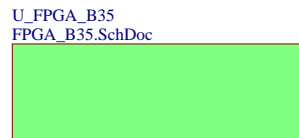
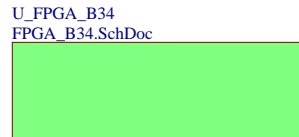
Mount.Hole 3.2mm (unplated)



Mount.Hole 3.2mm (unplated)

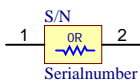


Mount.Hole 3.2mm (unplated)



LOGO1
TE Logo PRINT Layer
LOGO PRINT

Serial
Serial
Serialnumber 6,3 x 6.3mm



Title: TE0723		
A4	Number: TE0723 TE0723_07S-1C	Rev. 03
Date: 2016-07-15	Copyright: Trenz Electronic GmbH	Page1 of 13
Filename: TE0723.SchDoc		

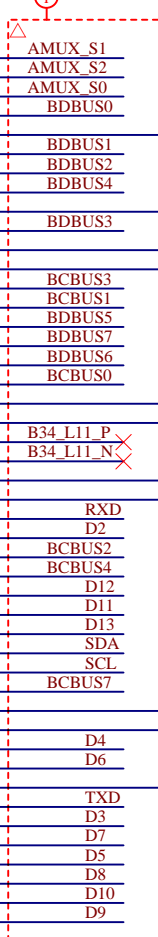
U1A

BANK 34

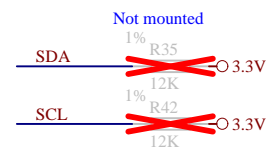
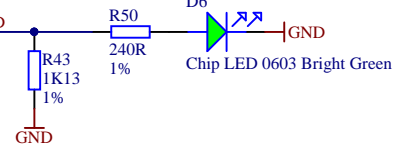
IO_L1P_T0_34	G11	AMUX_S1	Analog MUX
IO_L1N_T0_34	H12	AMUX_S2	Analog MUX
IO_L2P_T0_34	G12	AMUX_S0	Analog MUX
IO_L2N_T0_34	H13	BDBUS0	FTDI PORT B
IO_L3P_T0_DQS_PUDC_B_34	G14	BDBUS1	FTDI PORT B
IO_L3N_T0_DQS_34	J15	BDBUS2	FTDI PORT B
IO_L4P_T0_34	K15	BDBUS4	FTDI PORT B
IO_L4N_T0_34	J13		
IO_L5P_T0_34	J14	BDBUS3	FTDI PORT B
IO_L5N_T0_34	H11		
IO_L6P_T0_34	J11		
IO_L6N_T0_VREF_34	N13	BCBUS3	FTDI PORT B
IO_L7P_T1_34	N14	BCBUS1	FTDI PORT B
IO_L7N_T1_34	L15	BDBUS5	FTDI PORT B
IO_L8P_T1_34	M15	BDBUS7	FTDI PORT B
IO_L8N_T1_34	L14	BDBUS6	FTDI PORT B
IO_L9P_T1_DQS_34	M14	BCBUS0	FTDI PORT B
IO_L9N_T1_DQS_34	M14	BCBUS0	FTDI PORT B
IO_L10P_T1_34	K13		
IO_L10N_T1_34	L13		
IO_L11P_T1_SRCC_34	K11	B34_L11_P	NC
IO_L11N_T1_SRCC_34	K12	B34_L11_N	NC
IO_L12P_T1_MRCC_34	L12		
IO_L12N_T1_MRCC_34	M12		
IO_L13P_T2_MRCC_34	N11	RXD	DIGITAL HEADER
IO_L13N_T2_MRCC_34	N12	D2	DIGITAL HEADER
IO_L15P_T2_DQS_34	P15	BCBUS2	FTDI PORT B
IO_L15N_T2_DQS_34	R15	BCBUS4	FTDI PORT B
IO_L16P_T2_34	P11	D12	DIGITAL HEADER
IO_L16N_T2_34	R11	D11	DIGITAL HEADER
IO_L17P_T2_34	R12	D13	DIGITAL HEADER
IO_L17N_T2_34	R13	SDA	DIGITAL HEADER
IO_L18P_T2_34	P13	SCL	DIGITAL HEADER
IO_L18N_T2_34	P14	BCBUS7	FTDI PORT B
IO_L19P_T3_34	M9		
IO_L19N_T3_VREF_34	R7	D4	DIGITAL HEADER
IO_L20P_T3_34	R8	D6	DIGITAL HEADER
IO_L20N_T3_34	M10		
IO_L21P_T3_DQS_34	M11	TXD	DIGITAL HEADER
IO_L21N_T3_DQS_34	N7	D3	DIGITAL HEADER
IO_L22P_T3_34	N8	D7	DIGITAL HEADER
IO_L22N_T3_34	P8	D5	DIGITAL HEADER
IO_L23P_T3_34	P9	D8	DIGITAL HEADER
IO_L23N_T3_34	P10	D10	DIGITAL HEADER
IO_L24P_T3_34	R10	D9	DIGITAL HEADER
IO_L24N_T3_34	R10	D9	DIGITAL HEADER

XC7Z007S-1CLG225C

B34



FPGA_LED



Title: TE0723 - FPGA B34		
A4	Number: TE0723 TE0723_07S-1C	Rev. 03
Date: 2016-07-15	Copyright: Trenz Electronic GmbH	Page2 of 13
Filename: FPGA_B34.SchDoc		

1

2

3

4

A

A

B

B

C

C

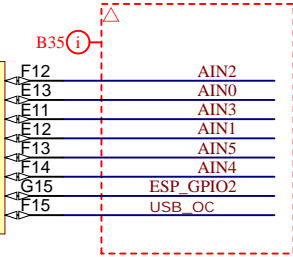
D

D


UIB

BANK 35	IO_L1P_T0_AD0P_35
	IO_L1N_T0_AD0N_35
	IO_L2P_T0_AD8P_35
	IO_L2N_T0_AD8N_35
	IO_L3P_T0_DQS_AD1P_35
	IO_L3N_T0_DQS_AD1N_35
	IO_L5P_T0_AD9P_35
	IO_L5N_T0_AD9N_35

XC7Z007S-1CLG225C



ANALOG HEADER
 ANALOG HEADER
 ANALOG HEADER
 ANALOG HEADER
 ANALOG HEADER

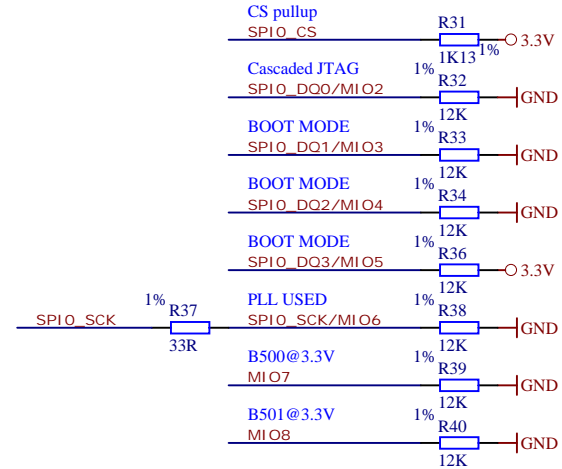
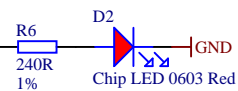
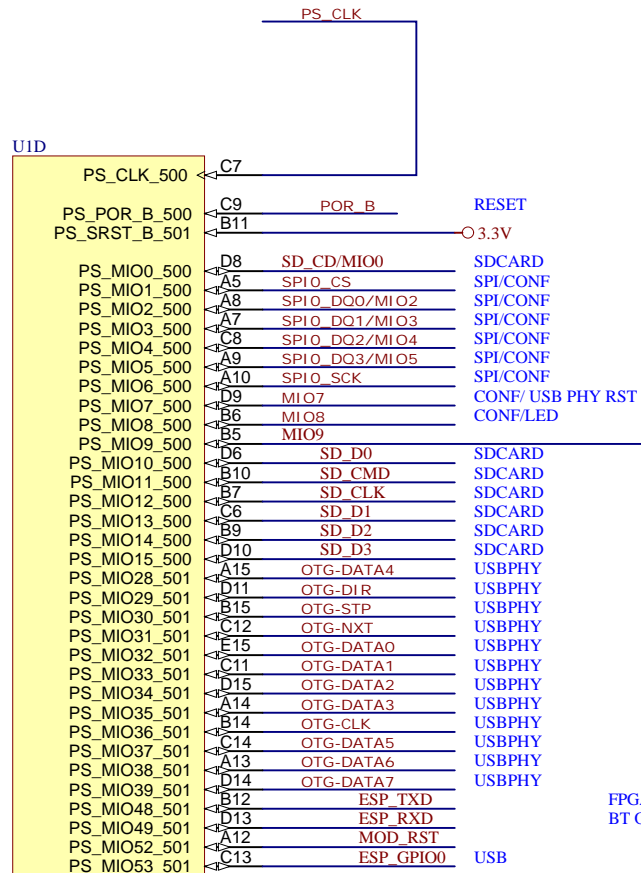
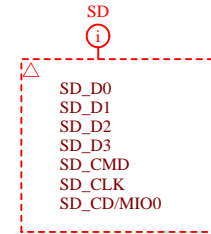
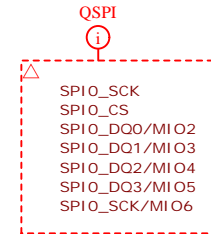
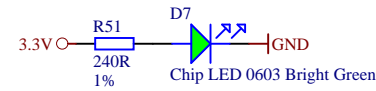
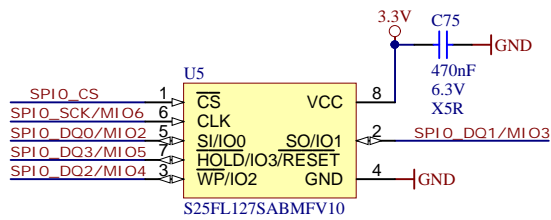
	Title: TE0723 - FPGA B35		
	A4	Number: TE0723 TE0723_07S-1C	Rev. 03
	Date: 2016-07-15	Copyright: Trenz Electronic GmbH	Page3 of 13
	Filename: FPGA_B35.SchDoc		

1

2

3

4

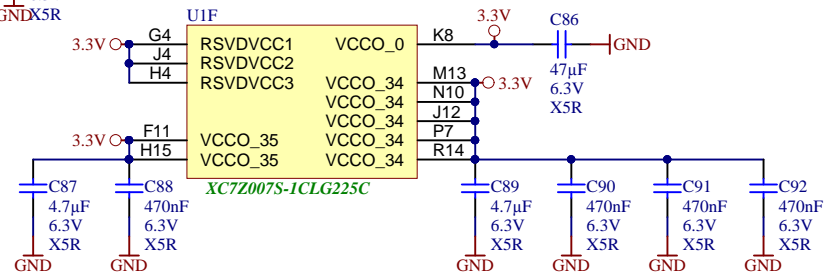
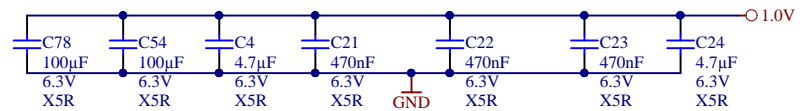
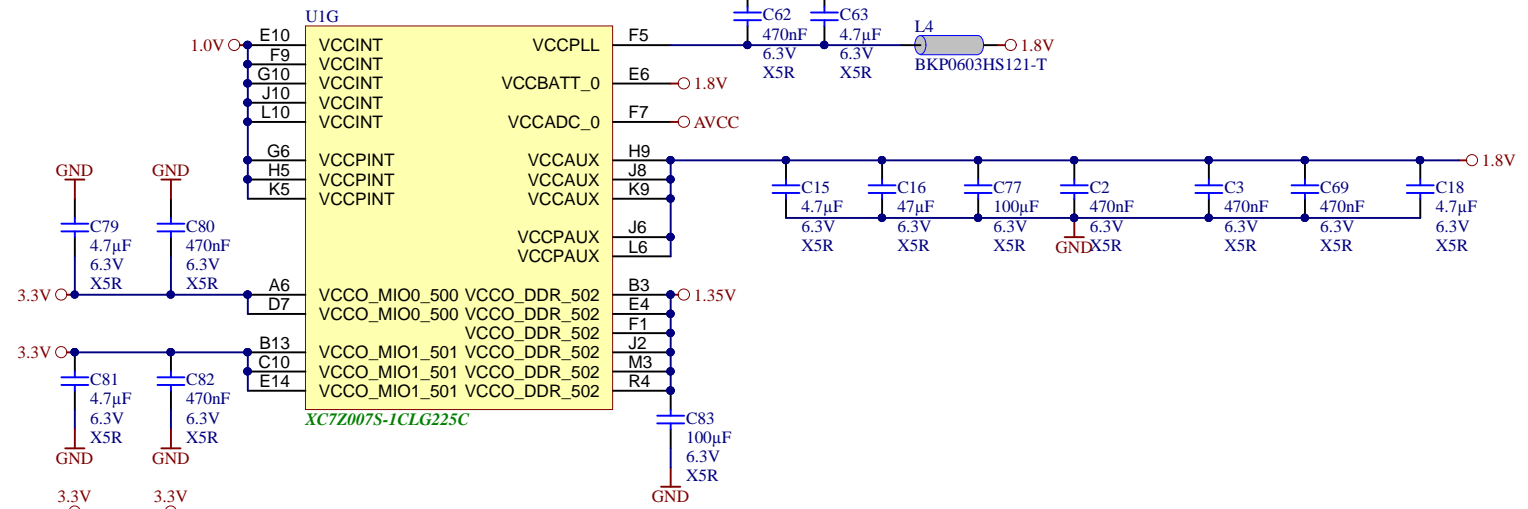
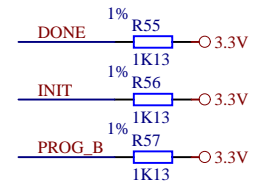
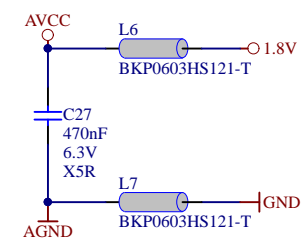
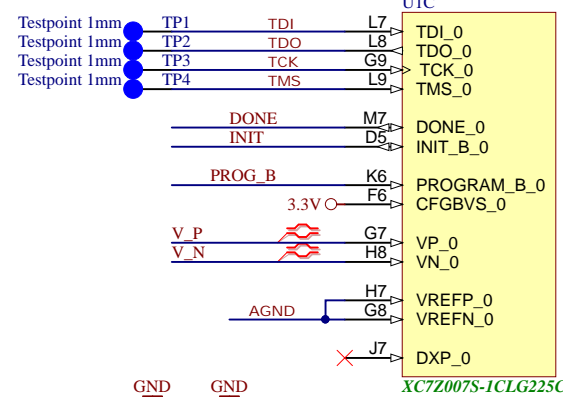
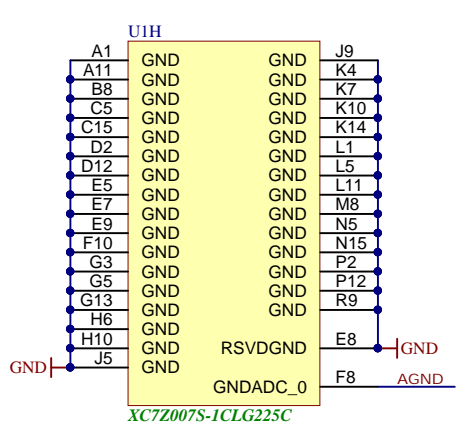


FPGA OUT -> BT IN
BT OUT -> FPGA IN

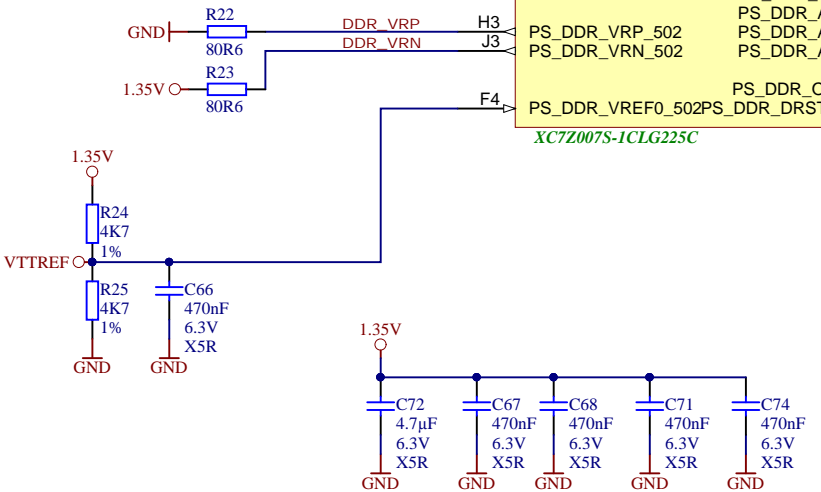
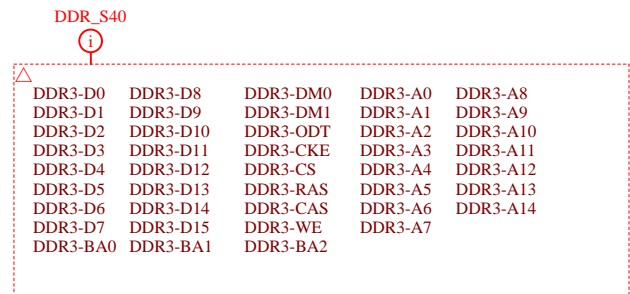
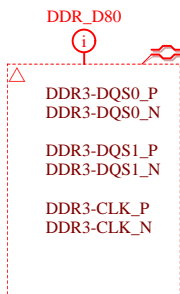
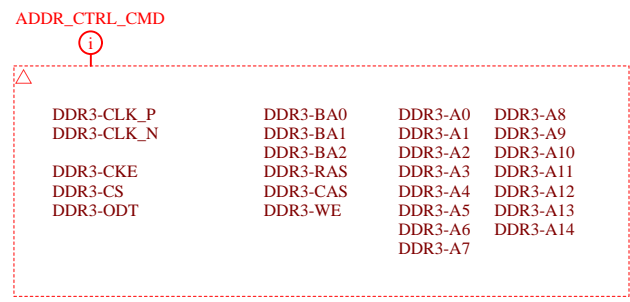
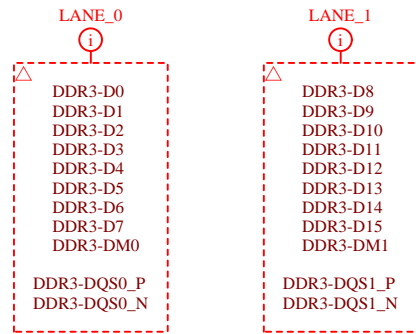
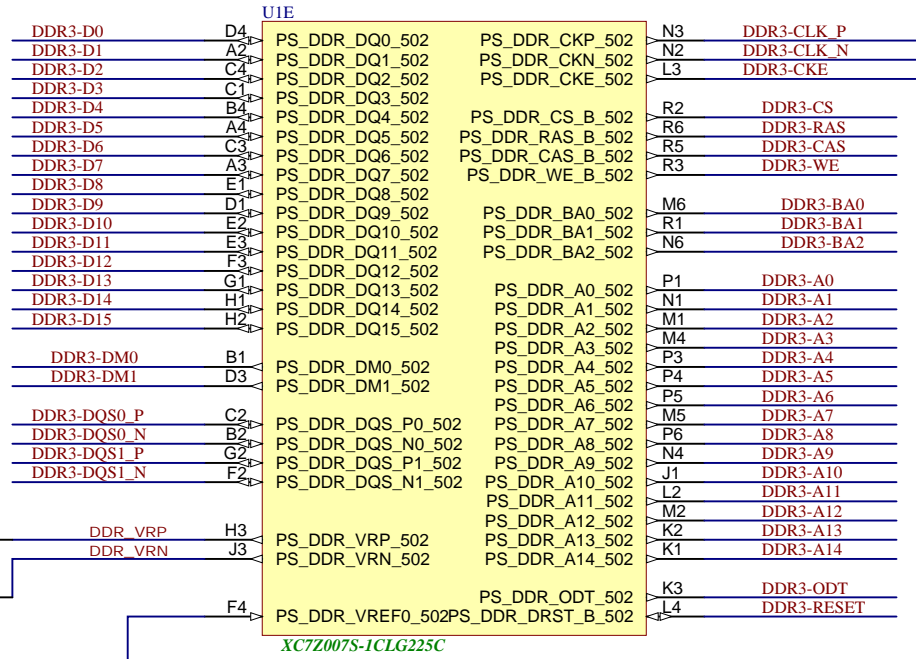



Title: TE0723 - FPGA MIO		
A4	Number: TE0723 TE0723_07S-1C	Rev. 03
Date: 2016-07-15	Copyright: Trenz Electronic GmbH	Page4 of 13
Filename: FPGA_MIO.SchDoc		

XC7Z007S-1CLG225C



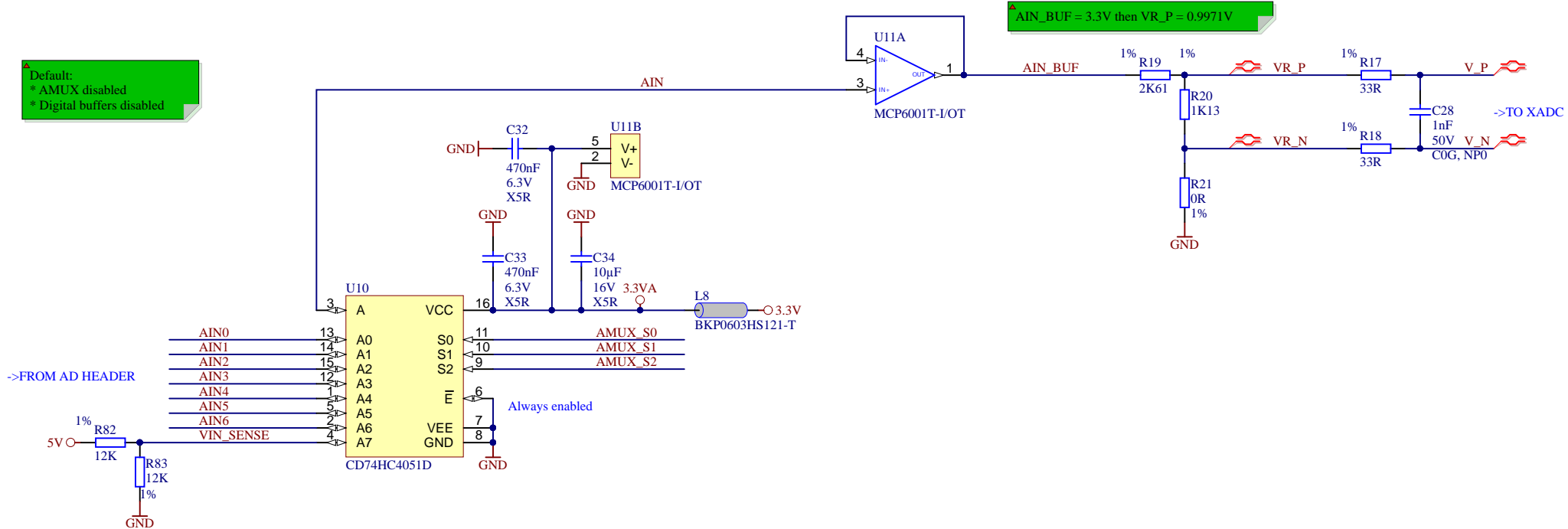
Title: TE0723 - FPGA PWR		
A4	Number: TE0723 TE0723_07S-1C	Rev. 03
Date: 2016-07-15	Copyright: Trenz Electronic GmbH	Page 5 of 13
Filename: FPGA_PWR.SchDoc		



		Title: TE0723 - FPGA RAM	
		A4	Number: TE0723 TE0723_07S-1C
Date: 2016-07-15		Copyright: Trenz Electronic GmbH	
Filename: FPGA_RAM.SchDoc		Page 6 of 13	

Default:
 * AMUX disabled
 * Digital buffers disabled

AIN_BUF = 3.3V then VR_P = 0.9971V



Title: TE0723 - Analog Input		
A4	Number: TE0723 TE0723_07S-1C	Rev. 03
Date: 2016-07-15	Copyright: Trenz Electronic GmbH	Page 7 of 13
Filename: Analog.SchDoc		

A

A

B

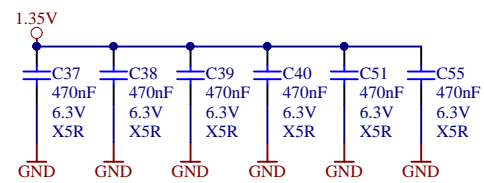
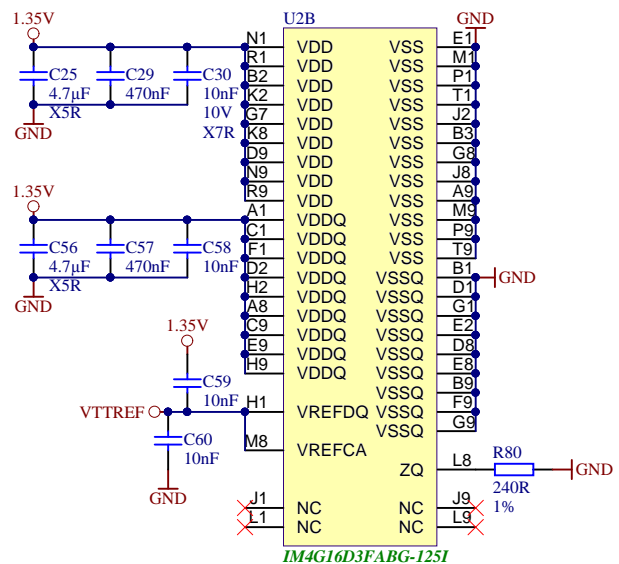
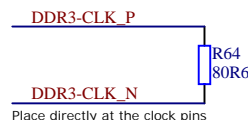
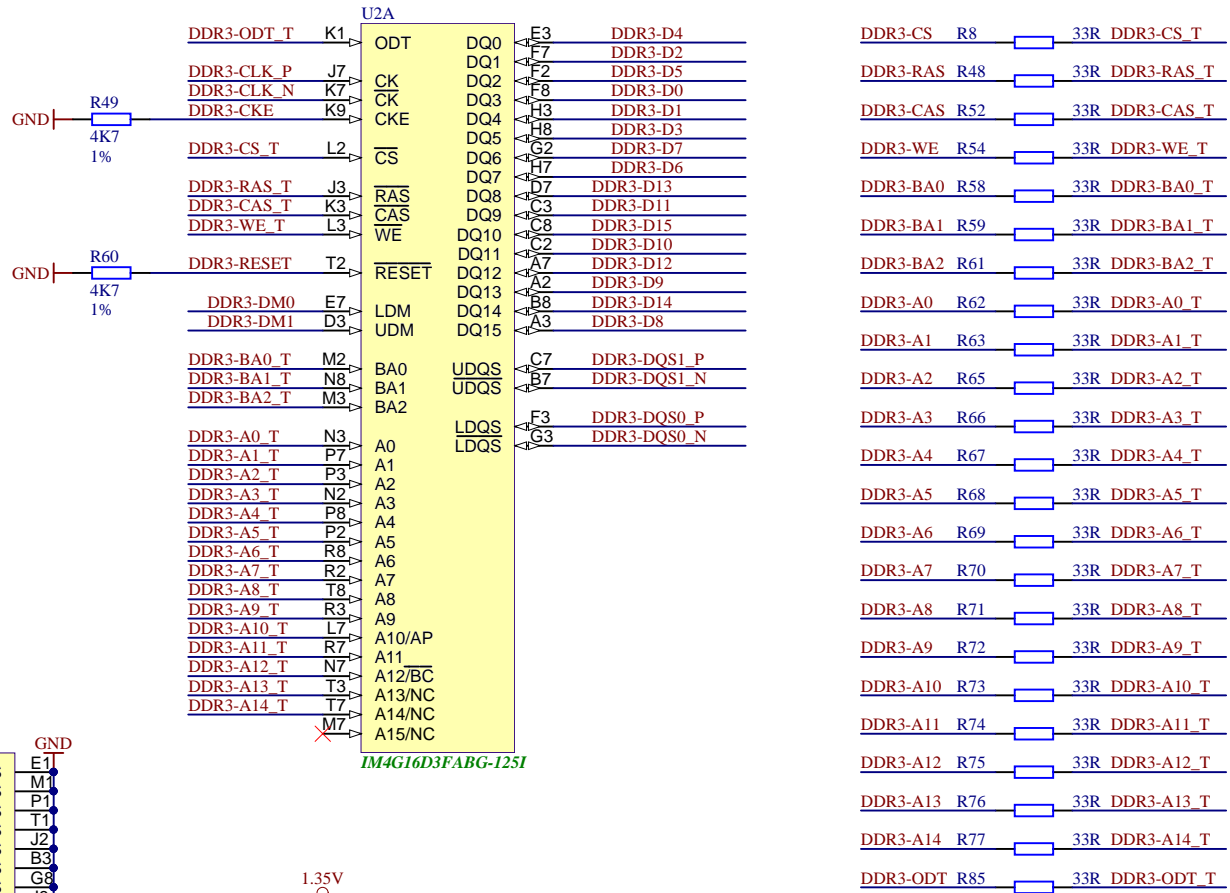
B

C

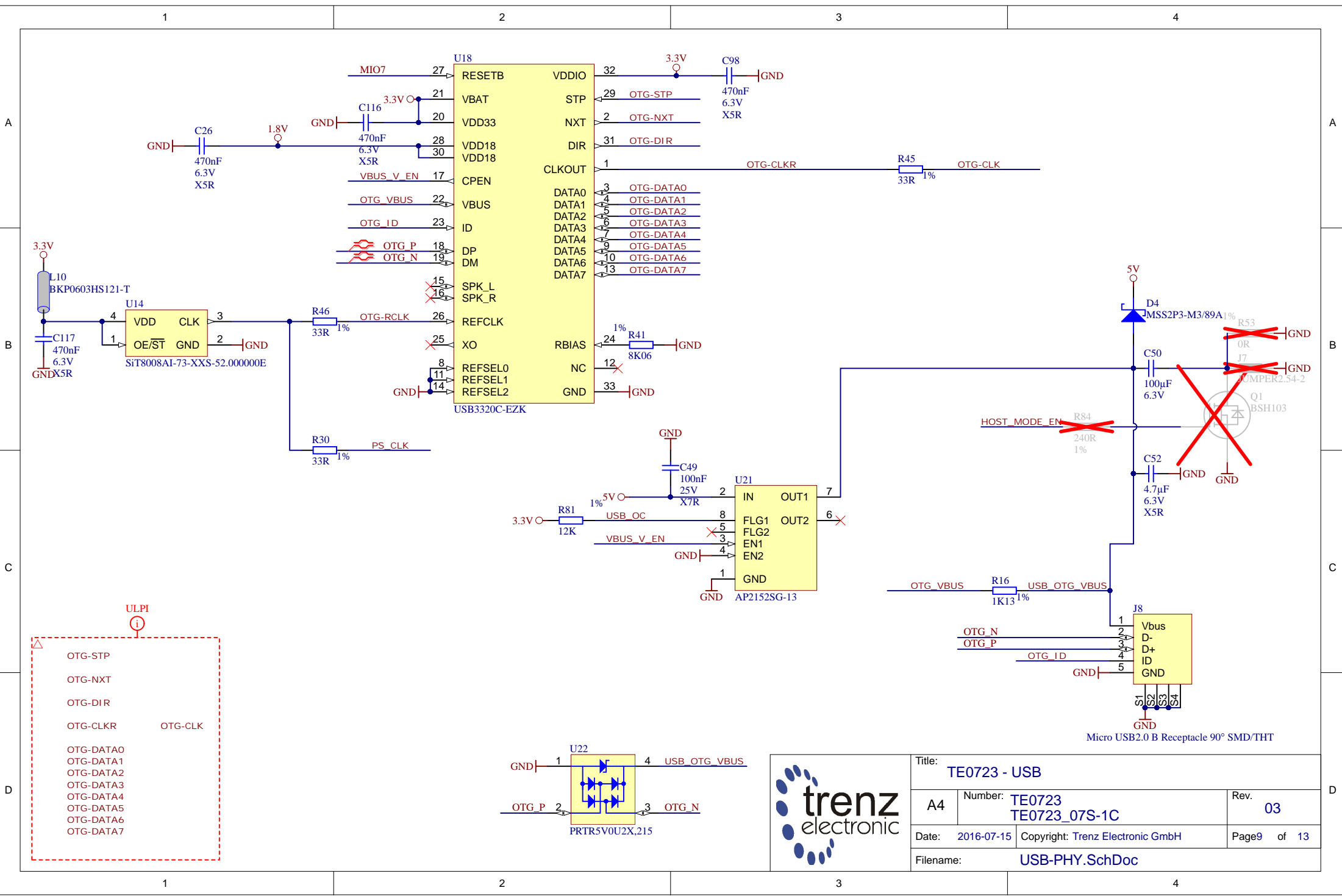
C

D

D



Title: TE0723 - DDR Memory		
A4	Number: TE0723 TE0723_07S-1C	Rev. 03
Date: 2016-07-15	Copyright: Trenz Electronic GmbH	Page 8 of 13
Filename: DDR3-RAM.SchDoc		

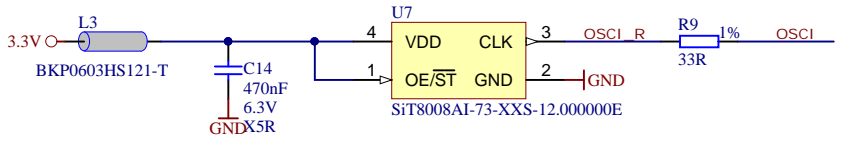
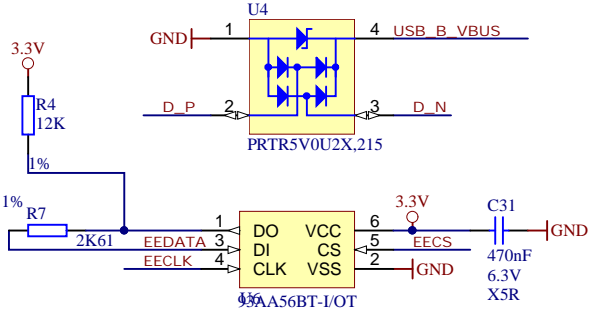
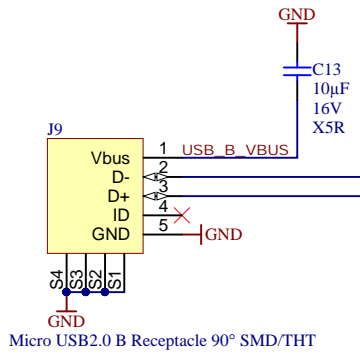
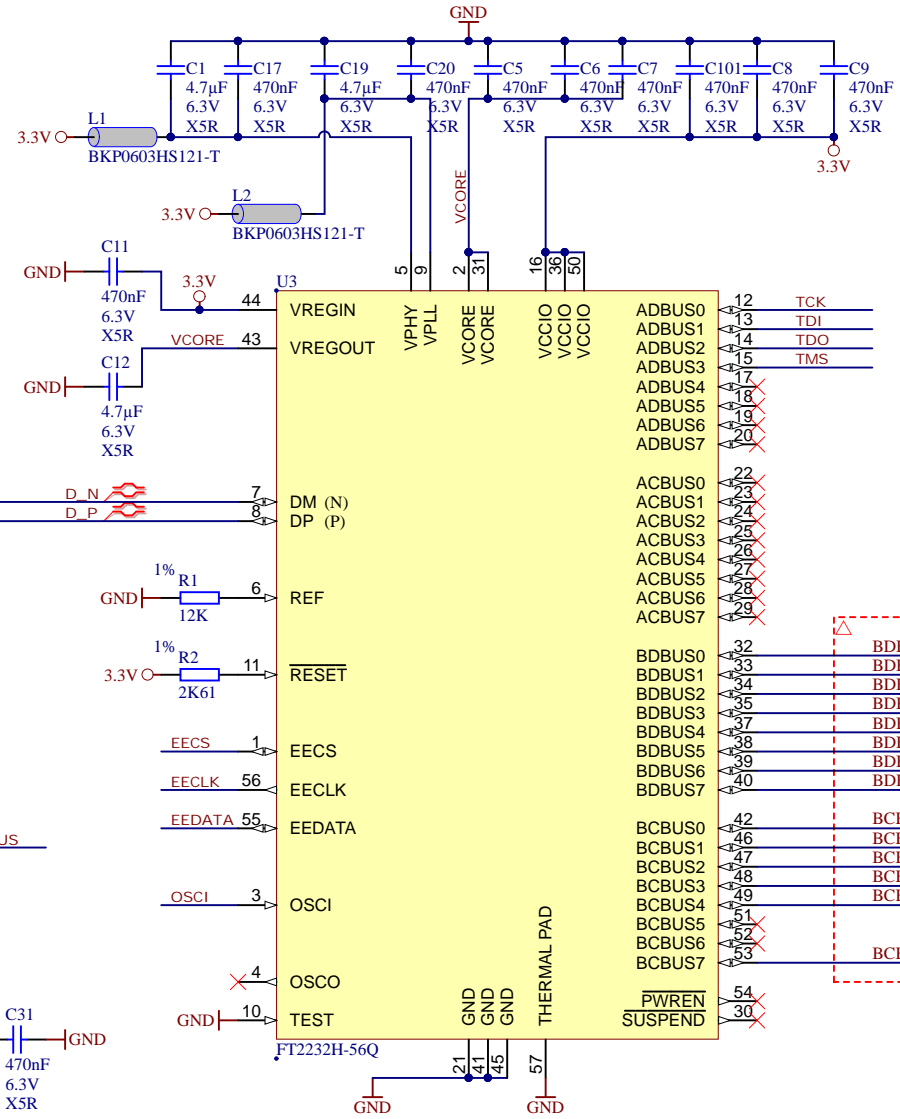


ULPI

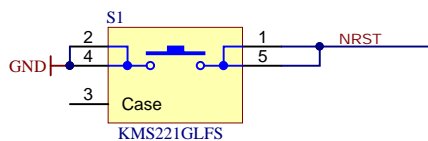
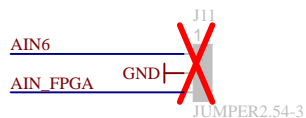
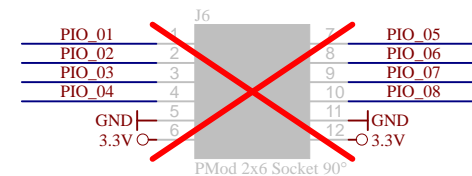
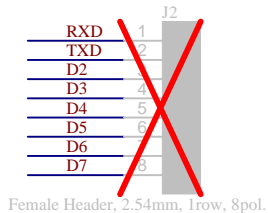
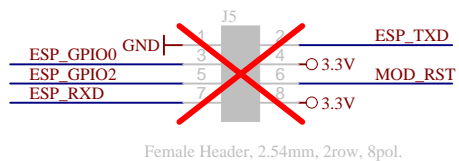
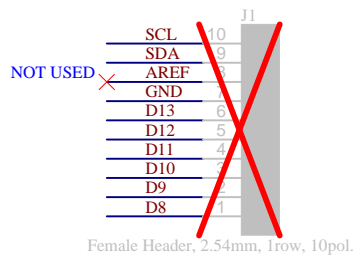
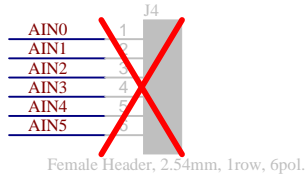
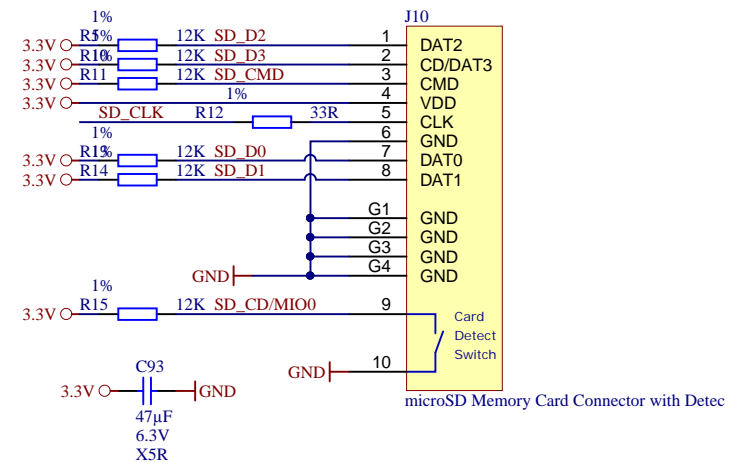
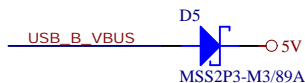
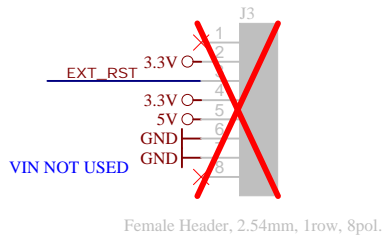
OTG-STP
OTG-NXT
OTG-DIR
OTG-CLKR
OTG-CLK
OTG-DATA0
OTG-DATA1
OTG-DATA2
OTG-DATA3
OTG-DATA4
OTG-DATA5
OTG-DATA6
OTG-DATA7

Title: TE0723 - USB		
A4	Number: TE0723 TE0723_07S-1C	Rev. 03
Date: 2016-07-15	Copyright: Trenz Electronic GmbH	Page 9 of 13
Filename: USB-PHY.SchDoc		





Title: TE0723 - FTDI		
A4	Number: TE0723 TE0723_07S-1C	Rev. 03
Date: 2016-07-15	Copyright: Trenz Electronic GmbH	Page 10 of 13
Filename: FTDI.SchDoc		



Title: TE0723 - Connectors		
A4	Number: TE0723 TE0723_07S-1C	Rev. 03
Date: 2016-07-15	Copyright: Trenz Electronic GmbH	Page 12 of 13
Filename: A-Headers.SchDoc		

1

2

3

4

CHANGES REV02 to REV03

- 1) changed FTDI-chip on 56pins package
- 2) changed micro-USB connectors
- 3) optimized BOM
- 4) update footprints, full update lib
- 5) added serial number (traceability pad)

A

A

B

B

C

C

D

D



Title: TE0723 - Changes list		
A4	Number: TE0723 TE0723_07S-1C	Rev. 03
Date: 2016-07-15	Copyright: Trenz Electronic GmbH	Page 13 of 13
Filename: Revision_Changes.SchDoc		

1

2

3

4