

1

2

3

4

U_RPi-Headers
RPi-Headers.SchDoc



U_DDR3-RAM
DDR3-RAM.SchDoc



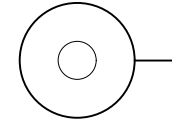
U_USB-PHY
USB-PHY.SchDoc



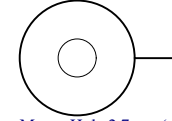
U_PowerSupply
PowerSupply.SchDoc



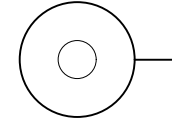
U_FTDI
FTDI.SchDoc



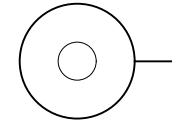
Mount.Hole 2.7mm (unplated)



Mount.Hole 2.7mm (unplated)



Mount.Hole 2.7mm (unplated)



Mount.Hole 2.7mm (unplated)

U_SC
SC.SchDoc



U_RPI_USB_HUB
RPi-USB-HUB.SchDoc



U_FPGA_B34
FPGA_B34.SchDoc



U_RPI_CAM_LCD
RPi-CAM-LCD.SchDoc



U_FPGA_B35
FPGA_B35.SchDoc



U_RPI_USB_ETH_CON
RPi-USB-ETH-CON.SchDoc



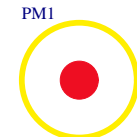
U_FPGA_MIO
FPGA_MIO.SchDoc



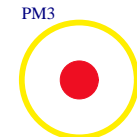
U_FPGA_RAM
FPGA_RAM.SchDoc



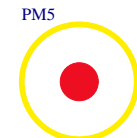
U_FPGA_PWR
FPGA_PWR.SchDoc



FIDU-DOT - small



FIDU-DOT - small



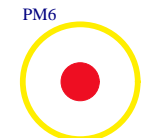
FIDU-DOT - small



FIDU-DOT - small



FIDU-DOT - small



FIDU-DOT - small

LOGO1



LOGO PRINT

Serial
Serial

Serialnumber 6,3 x 6.3mm



Title: TE0726		
A4	Number: TE0726 Default	Rev. 02
Date: 2016-01-26	Copyright: Trenz Electronic GmbH	Page1 of 14
Filename: TE0726.SchDoc		

1

2

3

4

A

A

B

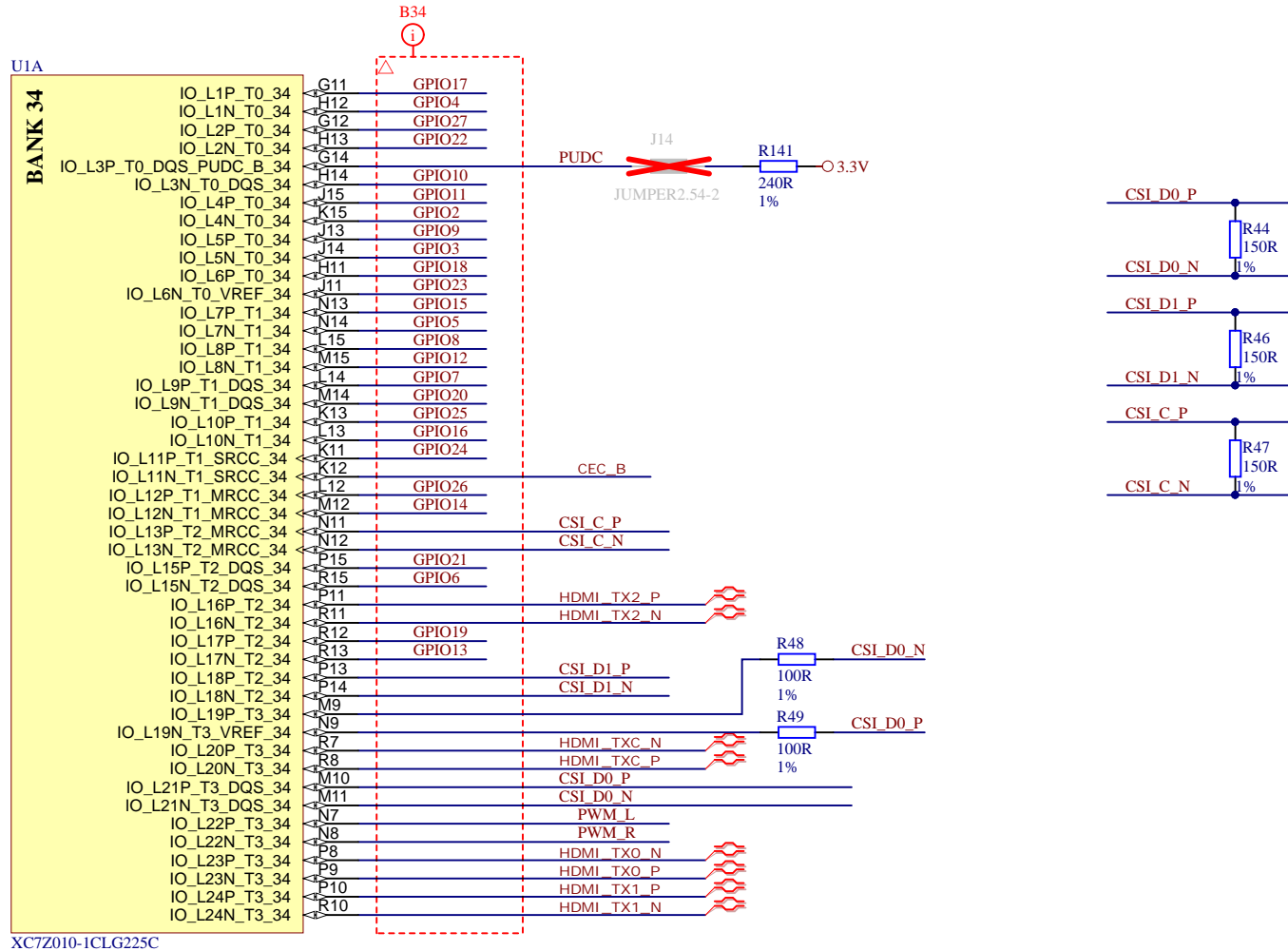
B

C

C

D

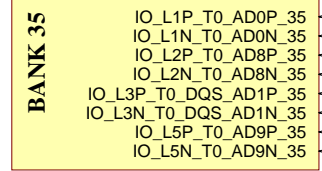
D



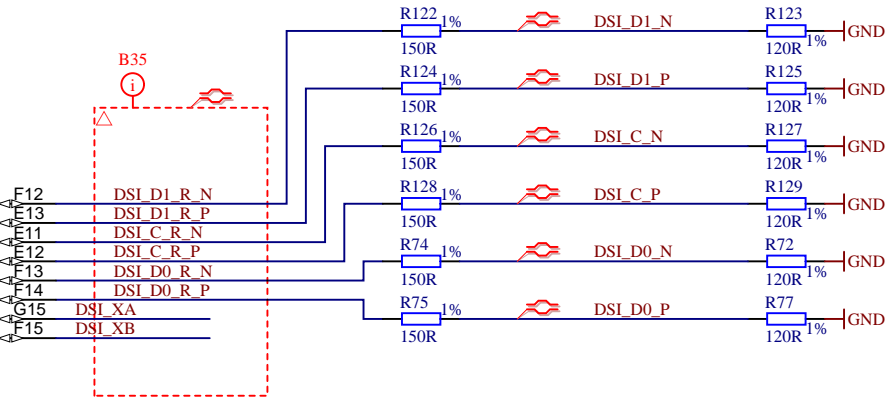
XC7Z010-1CLG225C

	Title: TE0726 - FPGA B34		
	A4	Number: TE0726 Default	Rev. 02
	Date: 2016-01-26	Copyright: Trenz Electronic GmbH	Page2 of 14
	Filename: FPGA_B34.SchDoc		

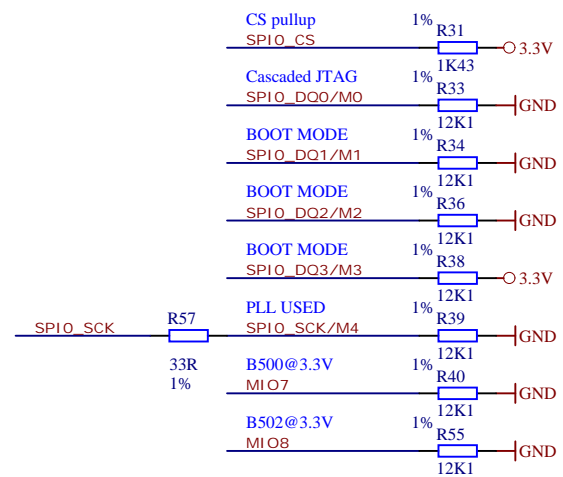
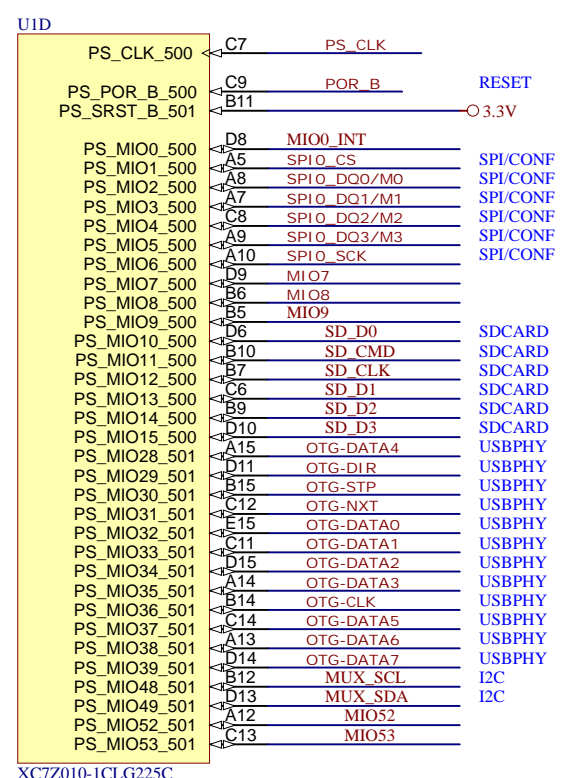
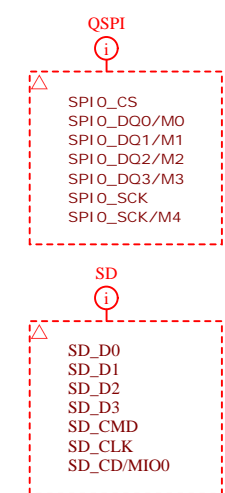
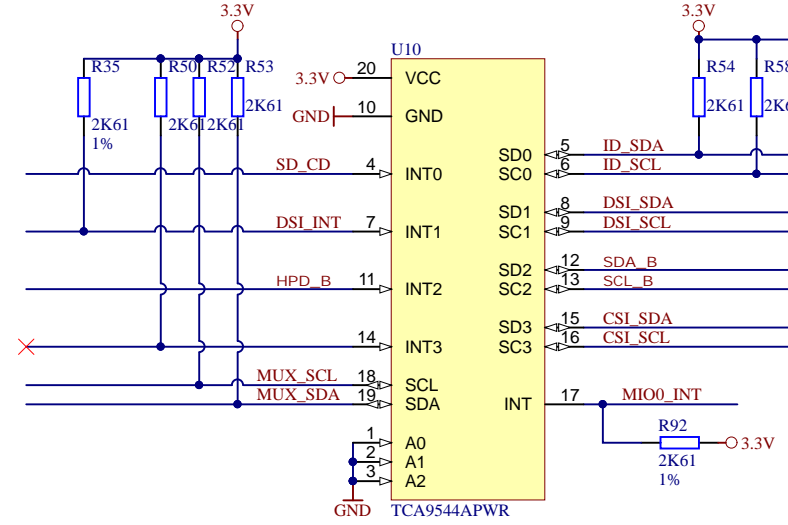
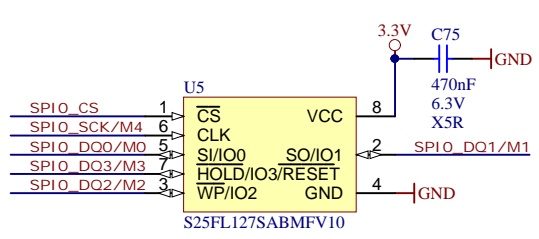
U1B



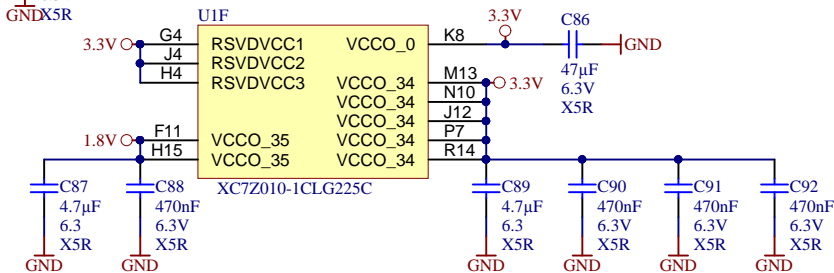
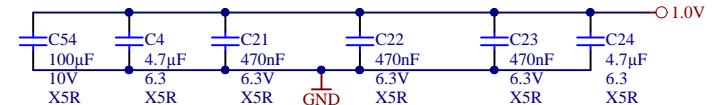
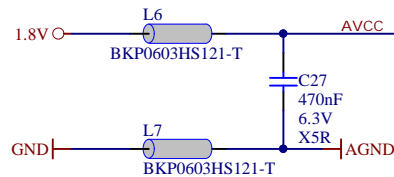
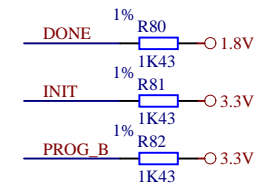
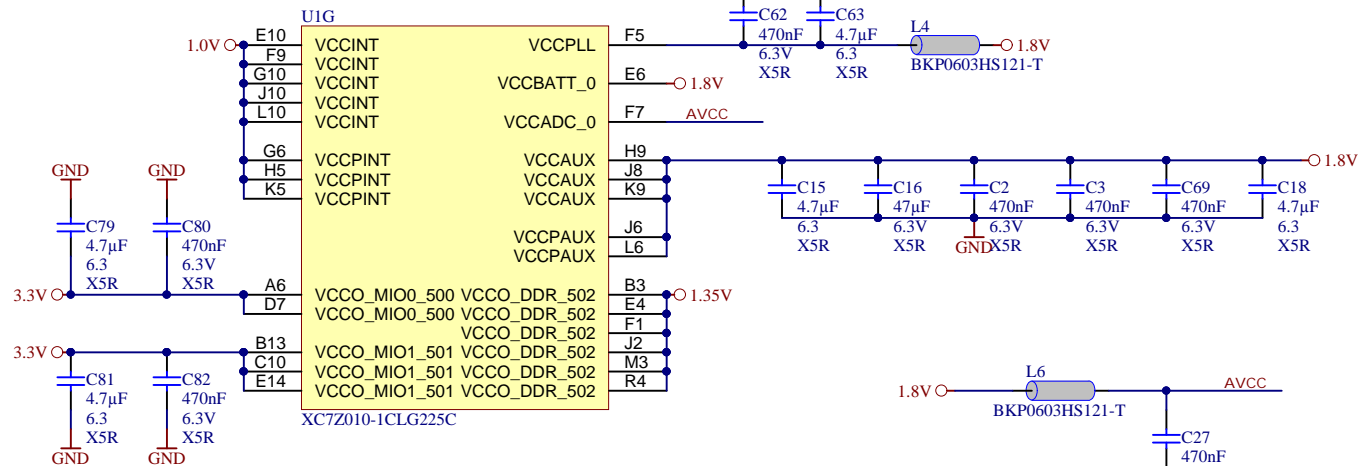
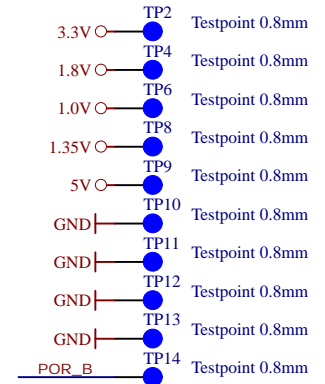
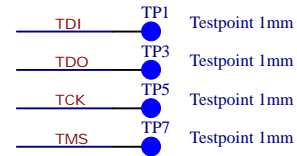
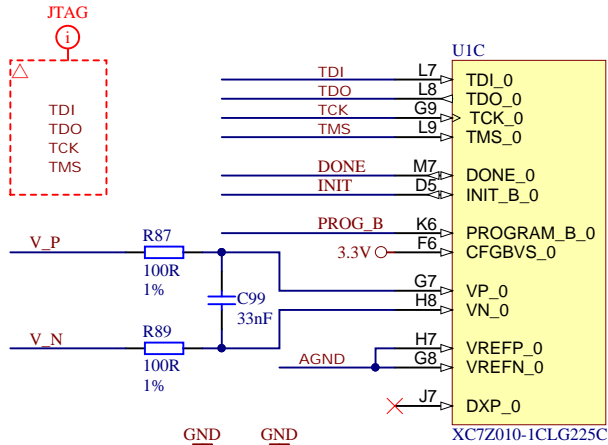
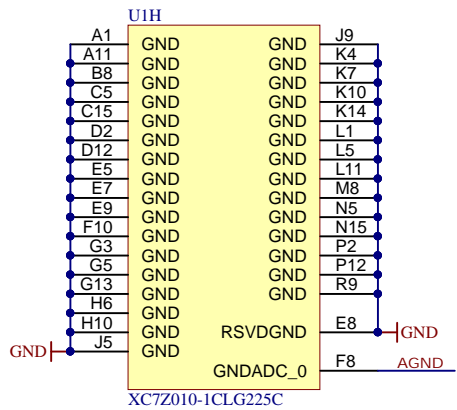
XC7Z010-1CLG225C



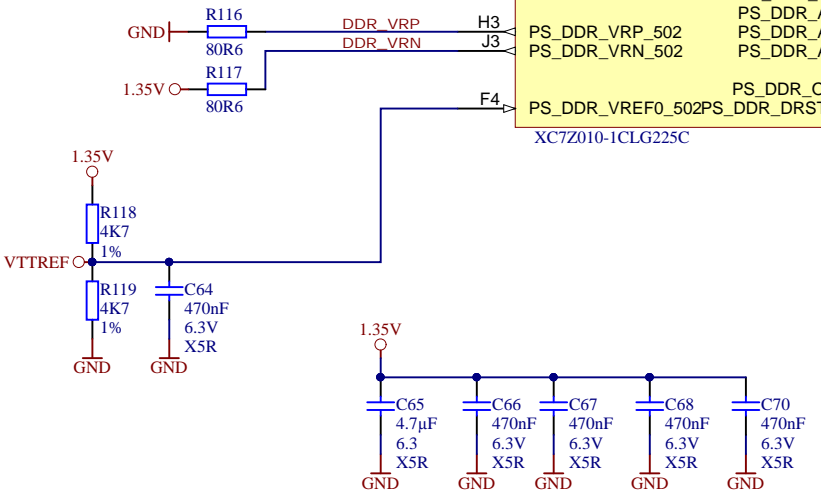
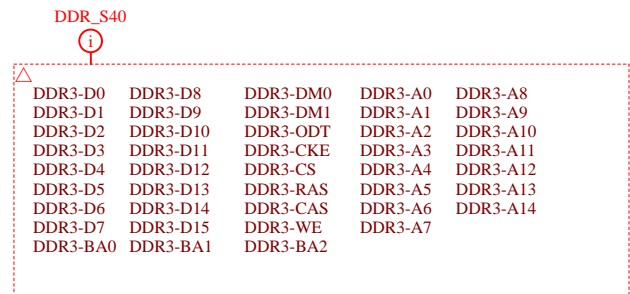
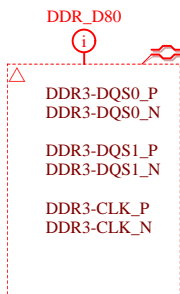
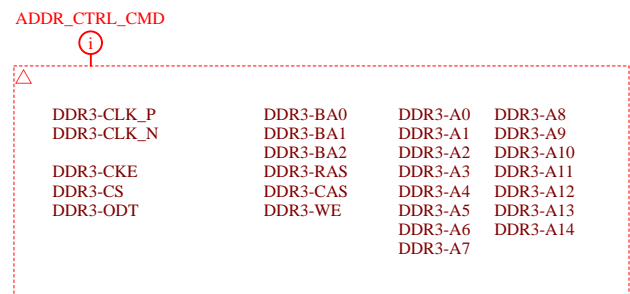
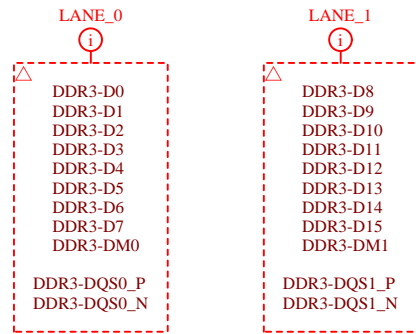
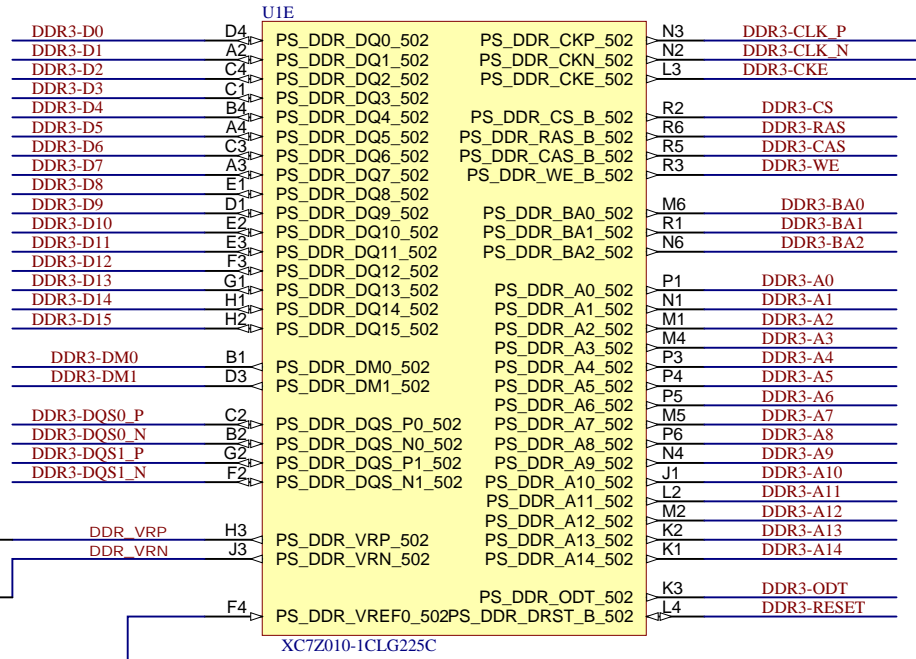
Title: TE0726 - FPGA B35		
A4	Number: TE0726 Default	Rev. 02
Date: 2016-01-26	Copyright: Trenz Electronic GmbH	Page 3 of 14
Filename: FPGA_B35.SchDoc		



Title: TE0726 - FPGA MIO		
A4	Number: TE0726 Default	Rev. 02
Date: 2016-01-26	Copyright: Trenz Electronic GmbH	Page4 of 14
Filename: FPGA_MIO.SchDoc		



Title: TE0726 - FPGA PWR		
A4	Number: TE0726 Default	Rev. 02
Date: 2016-01-26	Copyright: Trenz Electronic GmbH	Page5 of 14
Filename: FPGA_PWR.SchDoc		



		Title: TE0726 - FPGA RAM	
		A4	Number: TE0726 Default
Date: 2016-01-26		Copyright: Trenz Electronic GmbH	
Filename: FPGA_RAM.SchDoc		Page 6 of 14	

A

A

B

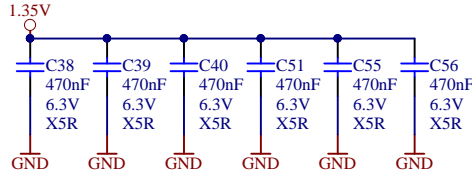
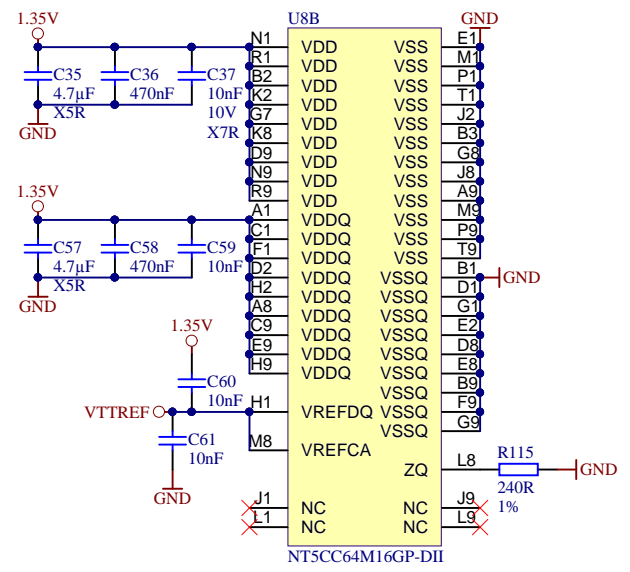
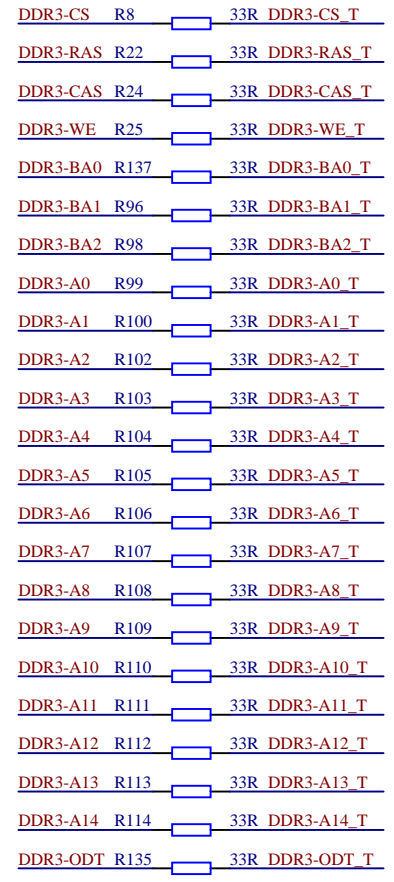
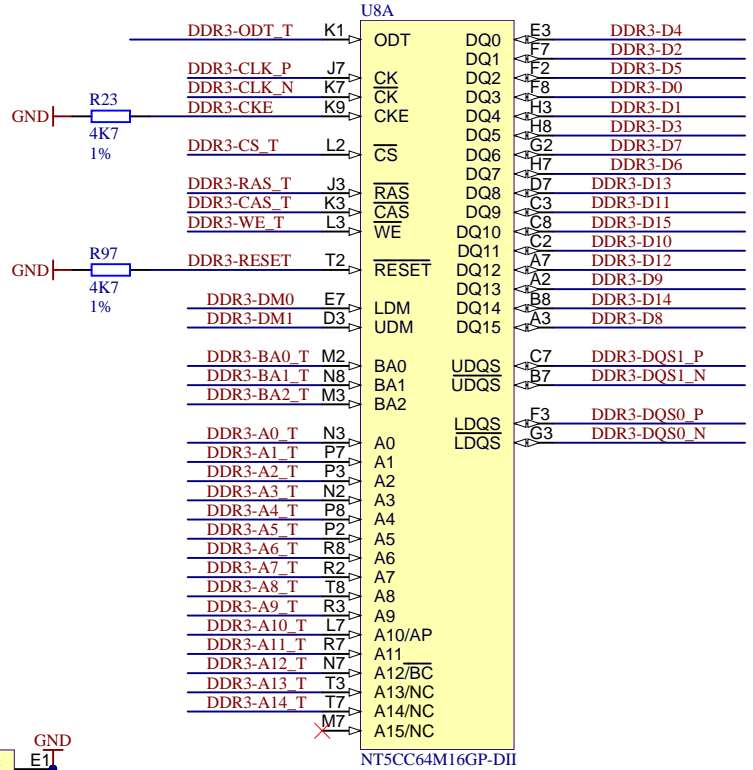
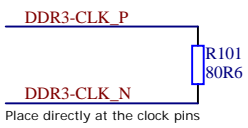
B

C

C

D

D



Title: TE0726 - DDR Memory		
A4	Number: TE0726 Default	Rev. 02
Date: 2016-01-26	Copyright: Trenz Electronic GmbH	Page 7 of 14
Filename: DDR3-RAM.SchDoc		

1

2

3

4

A

A

B

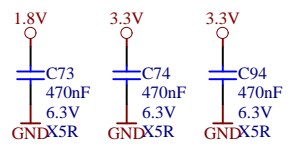
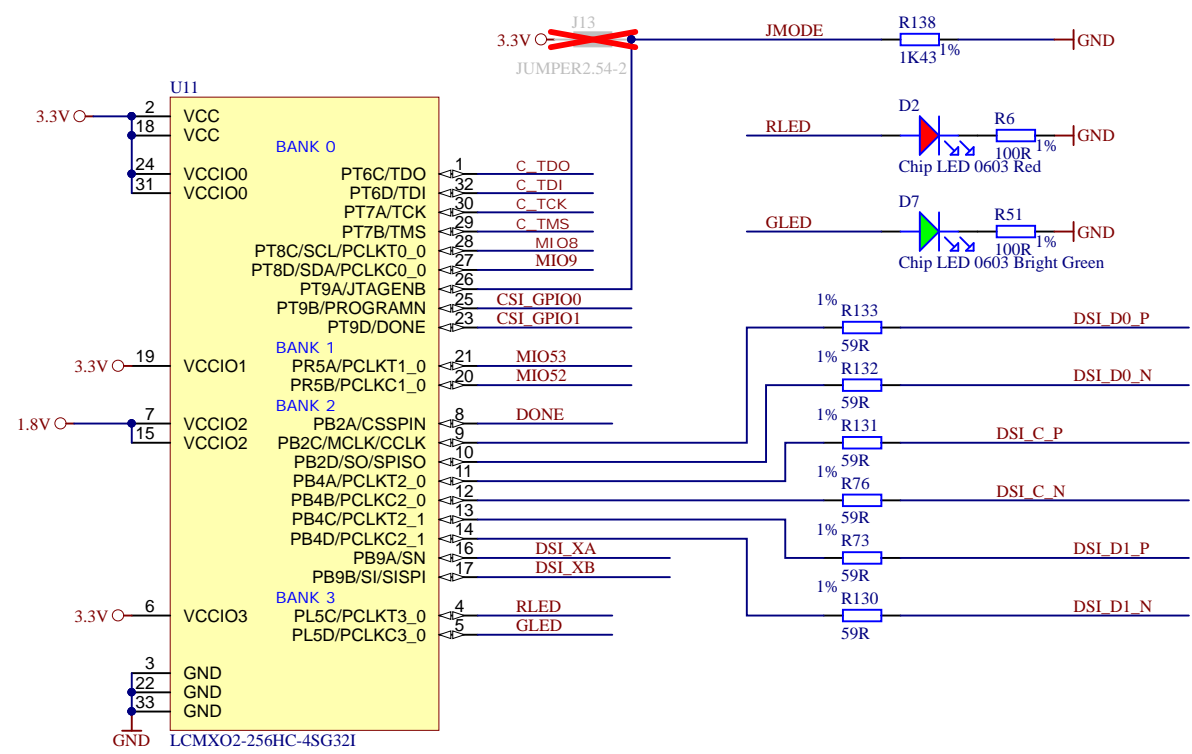
B

C

C

D

D



	Title: TE0726 - CPLD		
	A4	Number: TE0726 Default	Rev. 02
	Date: 2016-01-26	Copyright: Trenz Electronic GmbH	Page 8 of 14
	Filename: SC.SchDoc		

1

2

3

4

1

2

3

4

A

A

B

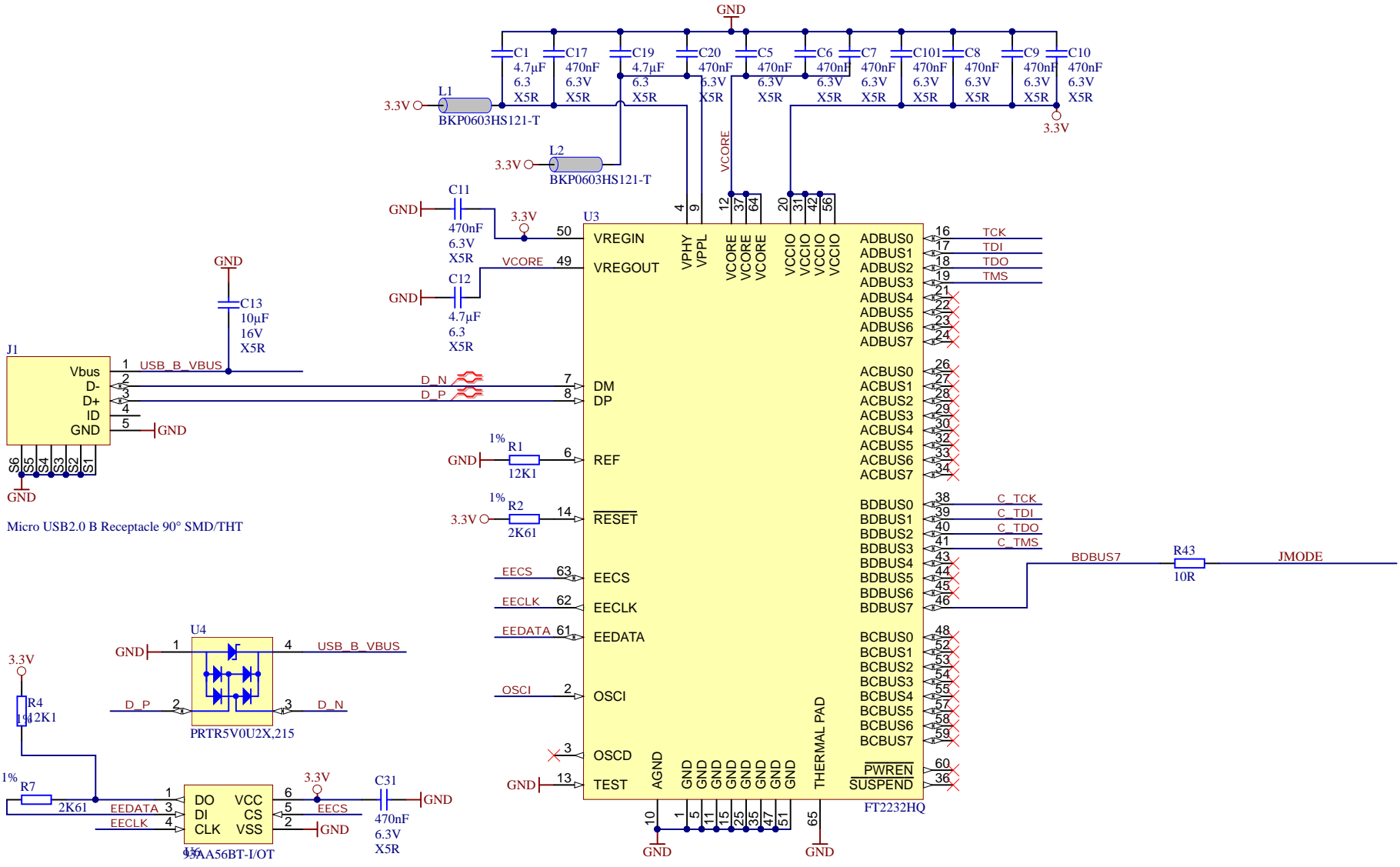
B

C

C

D

D



Micro USB2.0 B Receptacle 90° SMD/THT



Title: TE0726 - FTDI		
A4	Number: TE0726 Default	Rev. 02
Date: 2016-01-26	Copyright: Trenz Electronic GmbH	Page 8 of 14
Filename: FTDI.SchDoc		

1

2

3

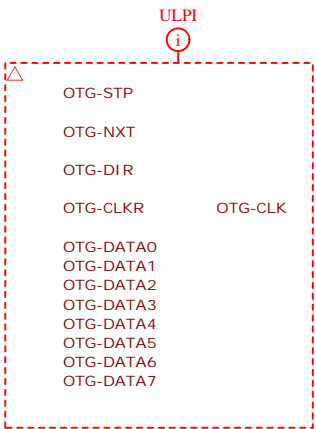
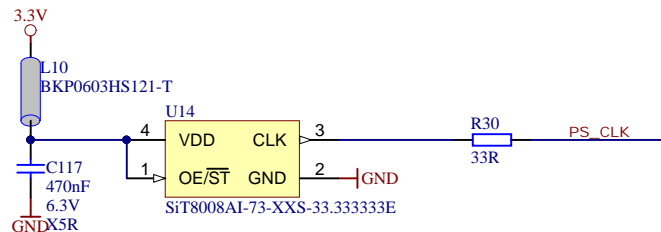
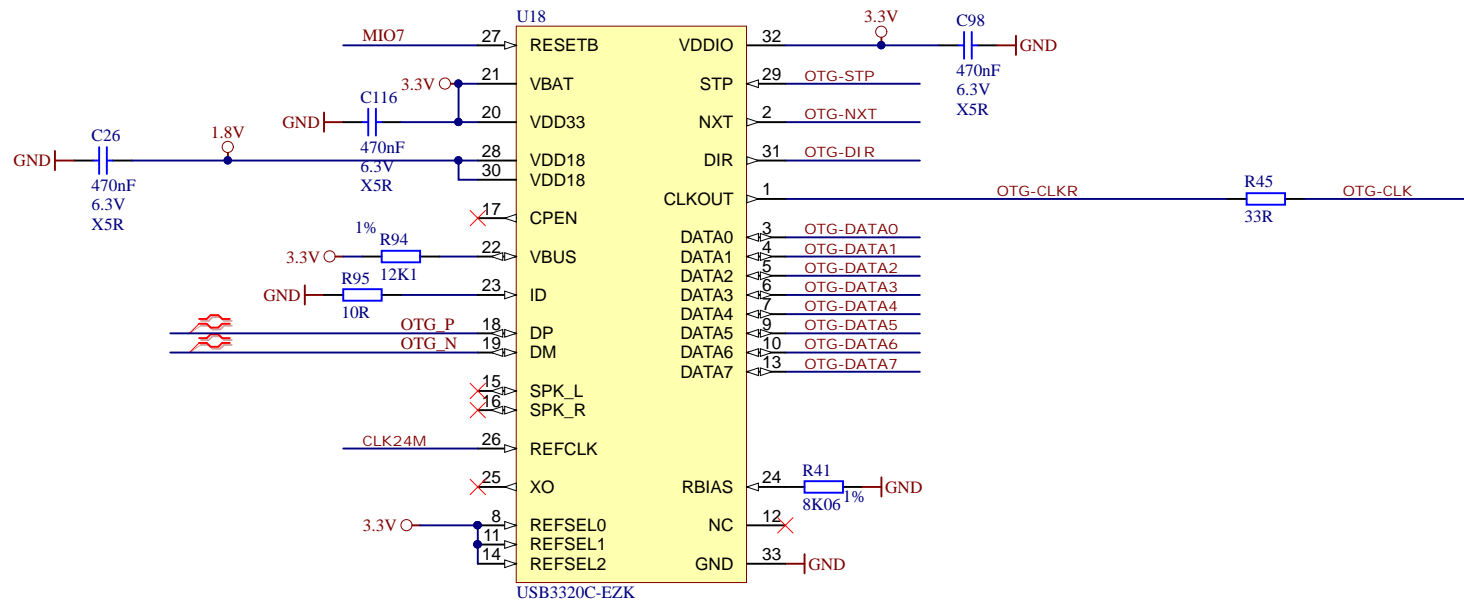
4

1

2

3

4



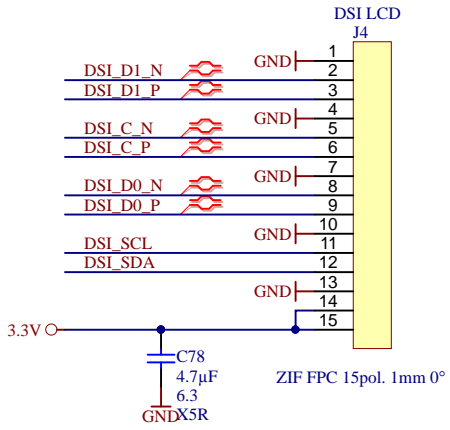
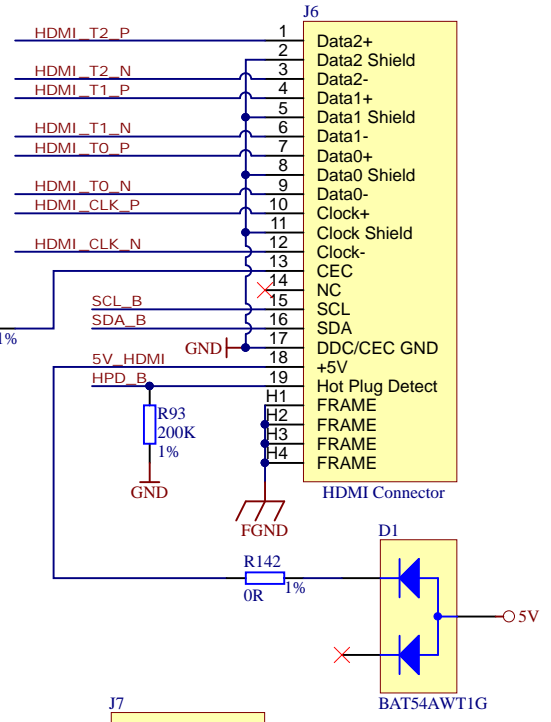
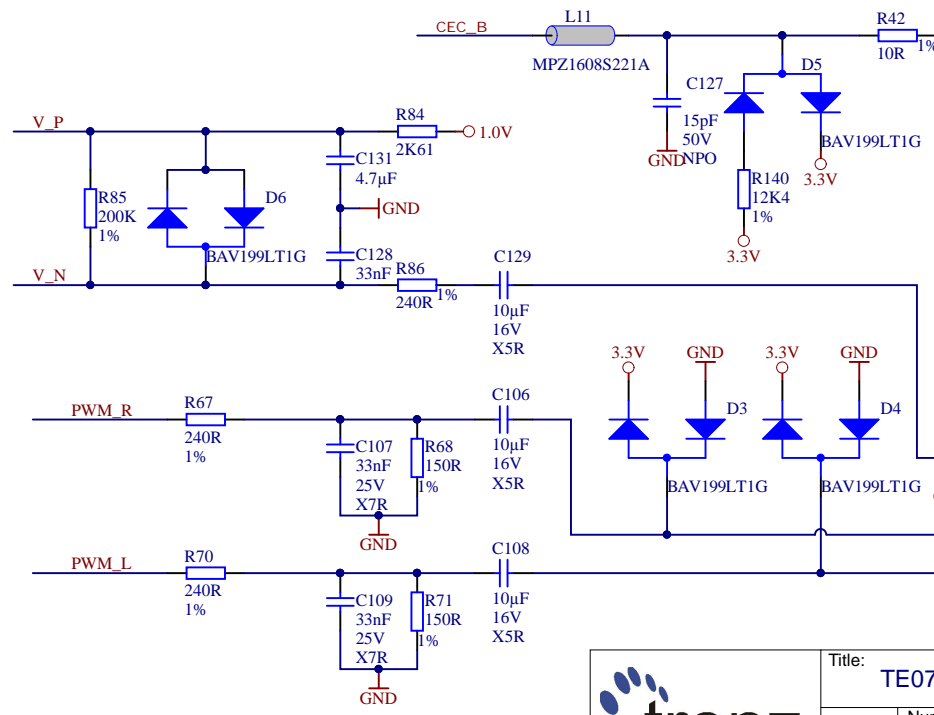
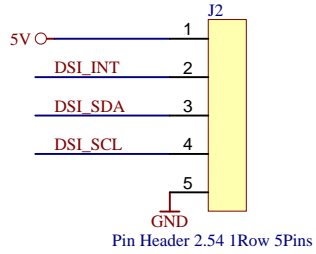
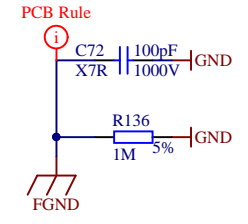
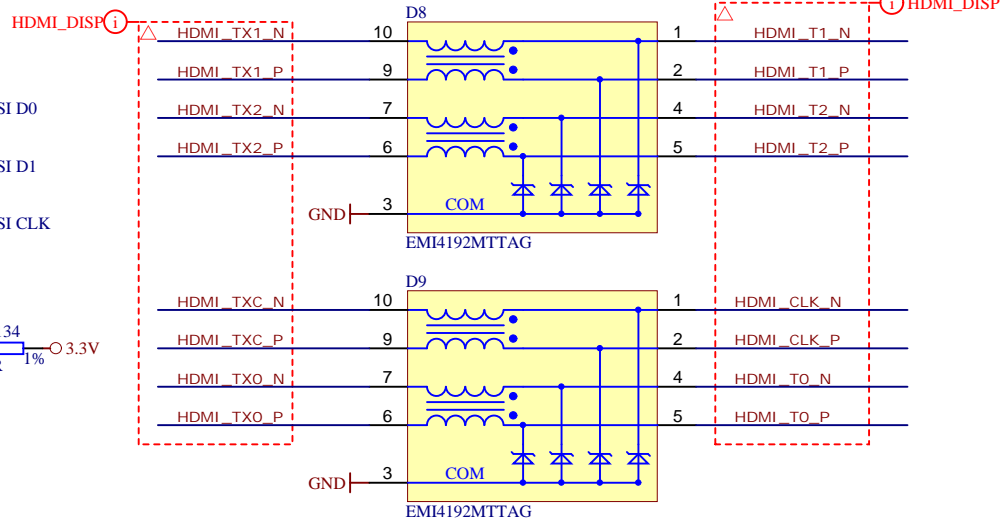
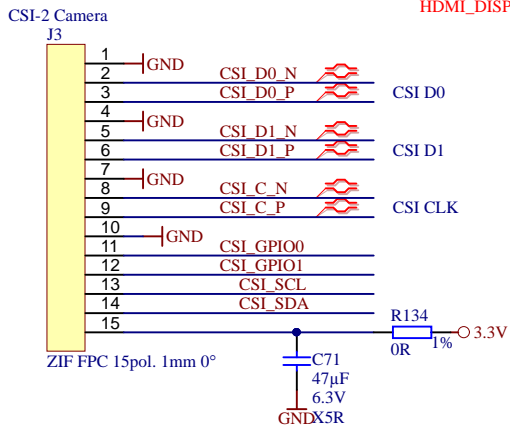
Title: TE0726 - USB		
A4	Number: TE0726 Default	Rev. 02
Date: 2016-01-26	Copyright: Trenz Electronic GmbH	Page 9 of 14
Filename: USB-PHY.SchDoc		

1

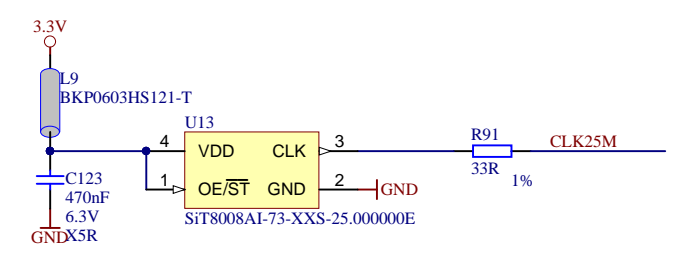
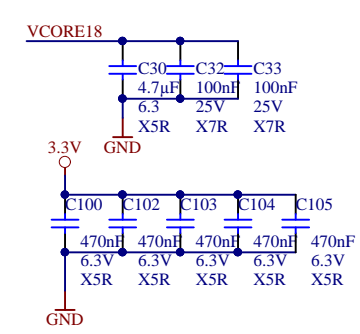
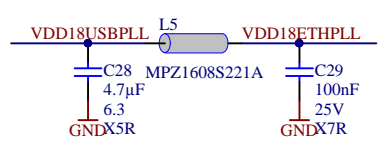
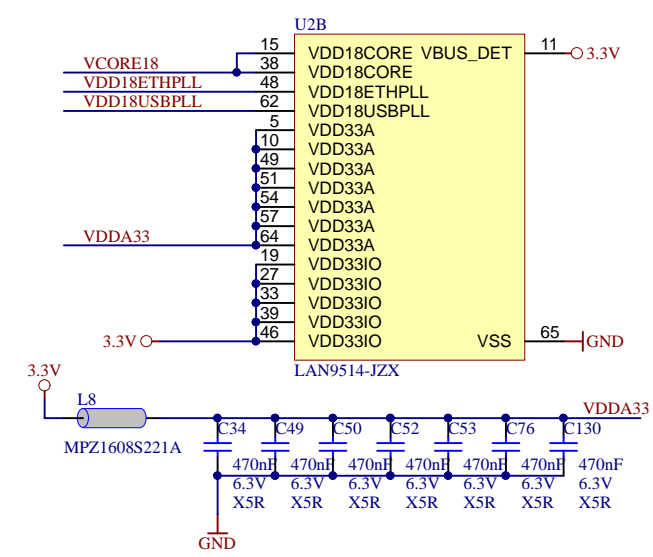
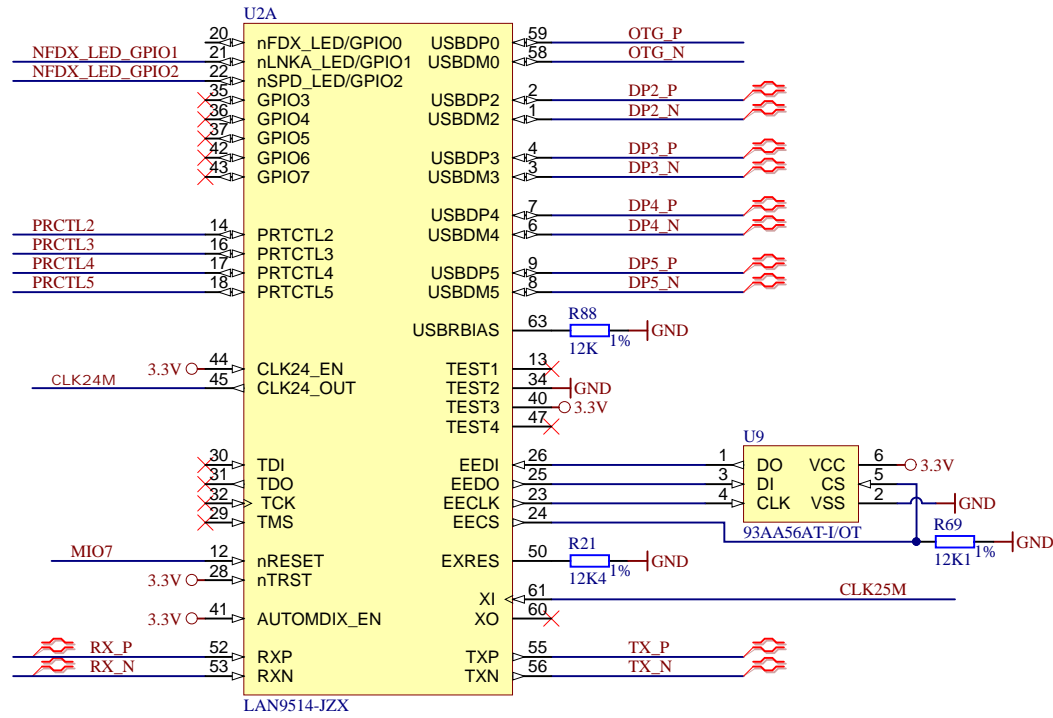
2

3

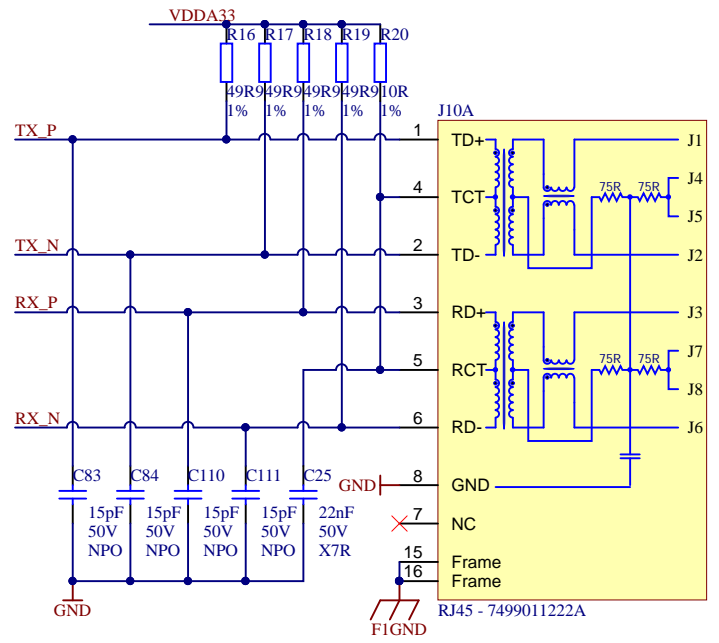
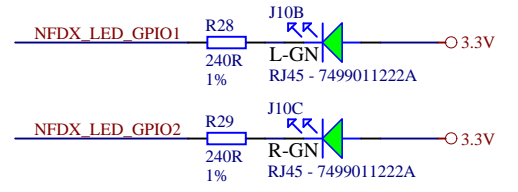
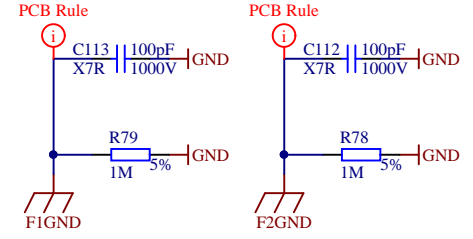
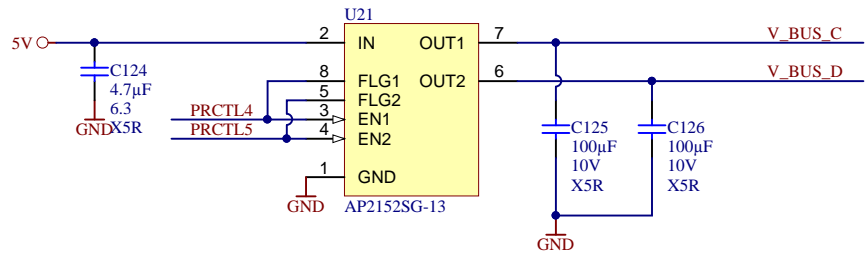
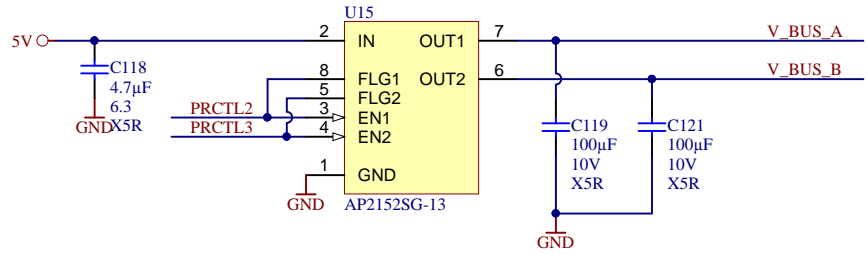
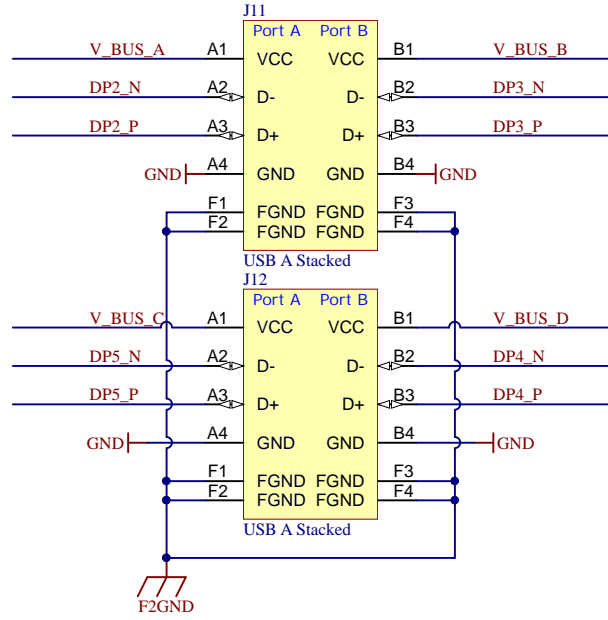
4




Title: TE0726 - Connectors		
A4	Number: TE0726 Default	Rev. 02
Date: 2016-01-26	Copyright: Trenz Electronic GmbH	Page10 of 14
Filename: RPi-CAM-LCD.SchDoc		



	Title: TE0726 - Connectors		
	A4	Number: TE0726 Default	Rev. 02
	Date: 2016-01-26	Copyright: Trenz Electronic GmbH	Page 11 of 14
	Filename: RPi-USB-HUB.SchDoc		



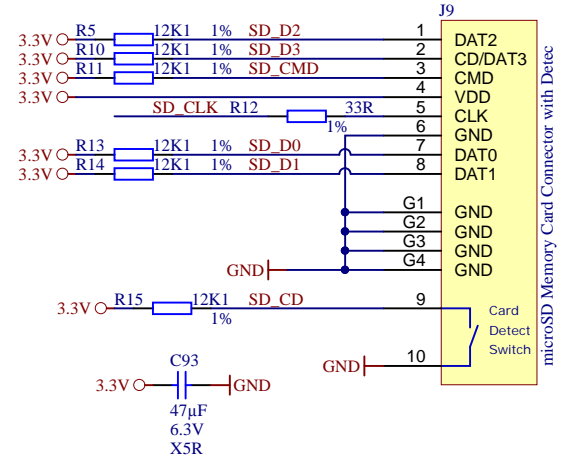
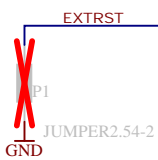
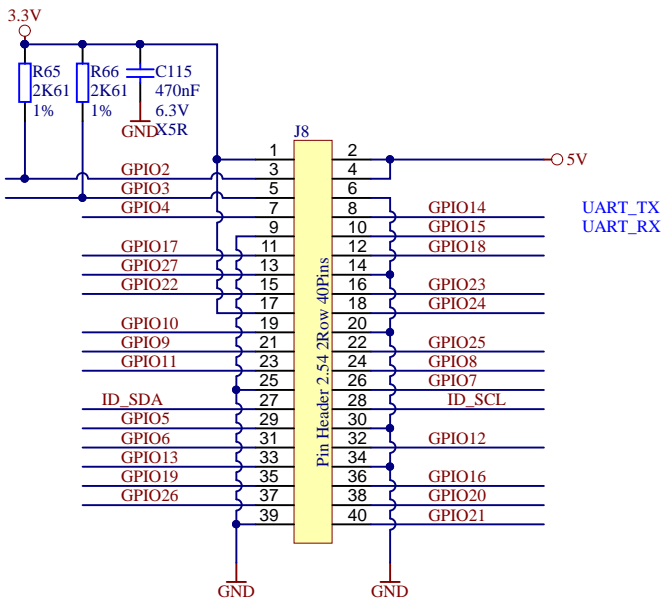
		Title: TE0726 - USB ETHERNET	
		A4	Number: TE0726 Default
Date: 2016-01-26		Copyright: 2023 Trenz Electronic GmbH	
Filename: PRI-USB-ETH-CON.SchDoc		Page 12 of 14	

1

2

3

4



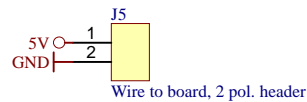
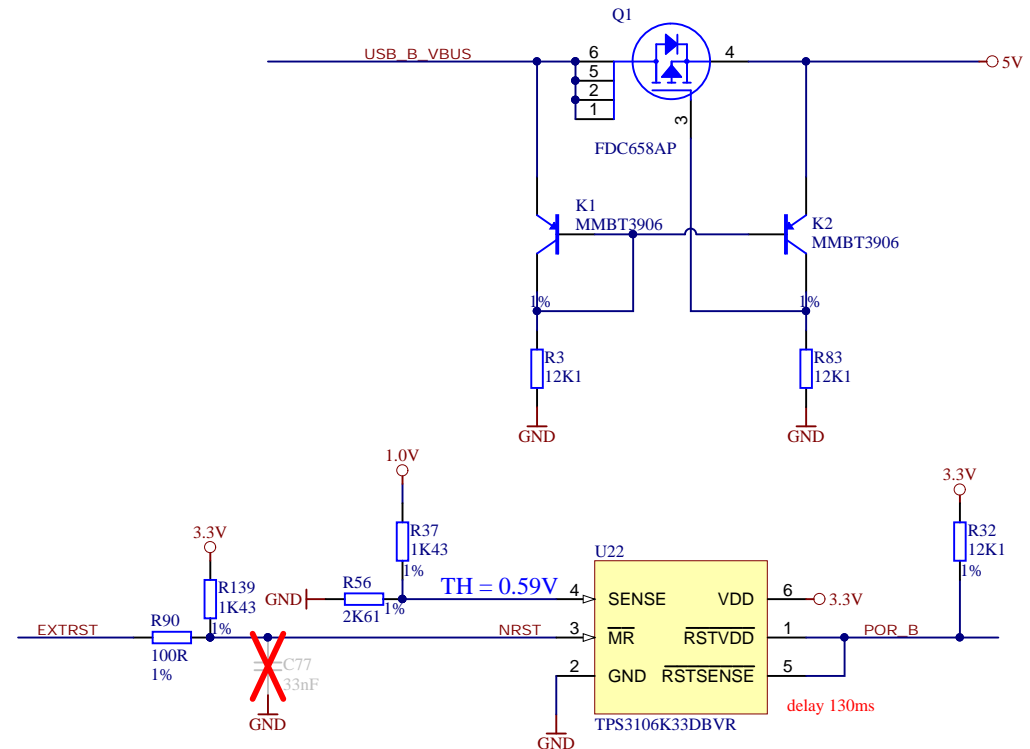
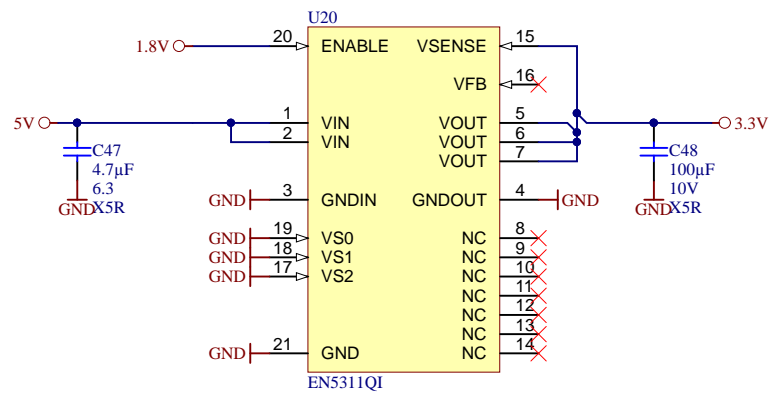
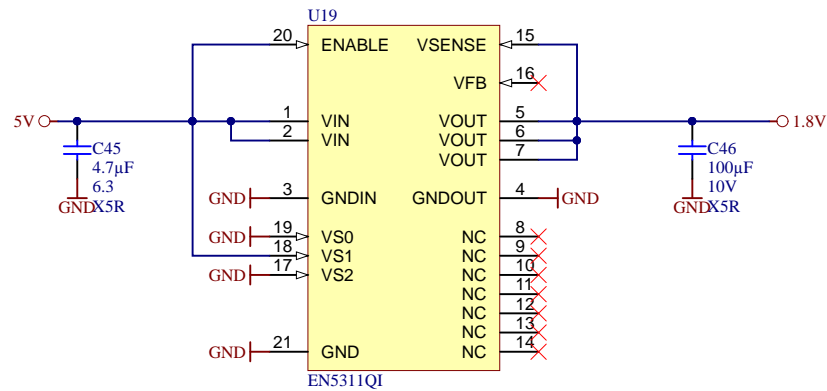
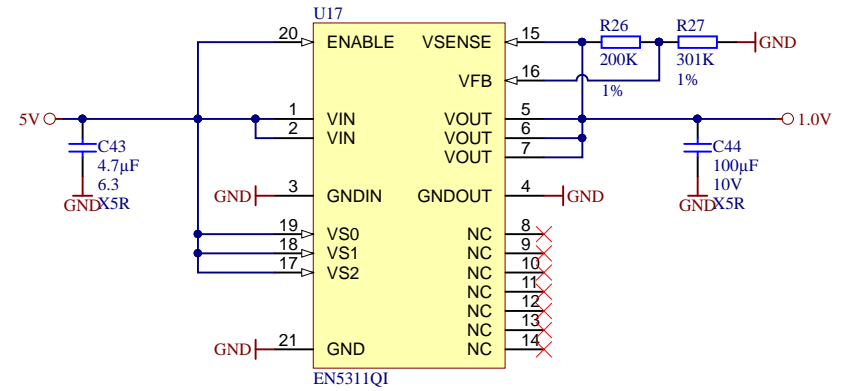
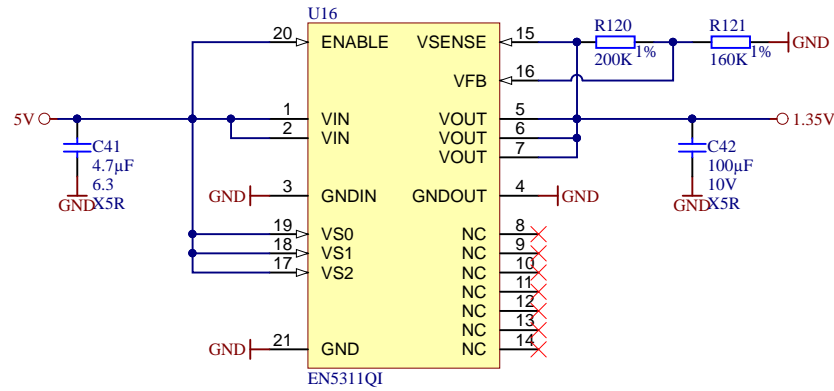
Title: TE0726 - Connectors		
A4	Number: TE0726 Default	Rev. 02
Date: 2016-01-26	Copyright: Trenz Electronic GmbH	Page13 of 14
Filename: RPi-Headers.SchDoc		

1

2

3

4



Title: TE0726 - PowerSupply		
A4	Number: TE0726 Default	Rev. 02
Date: 2016-01-26	Copyright: Trenz Electronic GmbH	Page 14 of 14
Filename: PowerSupply.SchDoc		

