

1

2

3

4

A

A

B

B

C

C

D

D

U_RPi-Headers
RPi-Headers.SchDoc



U_SC
SC.SchDoc



U_FPGA_B34
FPGA_B34.SchDoc



U_FPGA_B35
FPGA_B35.SchDoc



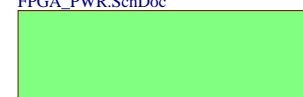
U_FPGA_MIO
FPGA_MIO.SchDoc



U_FPGA_RAM
FPGA_RAM.SchDoc



U_FPGA_PWR
FPGA_PWR.SchDoc



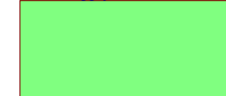
U_DDR3-RAM
DDR3-RAM.SchDoc



U_USB-PHY
USB-PHY.SchDoc



U_PowerSupply
PowerSupply.SchDoc



U_FTDI
FTDI.SchDoc



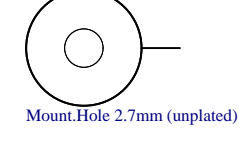
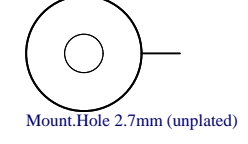
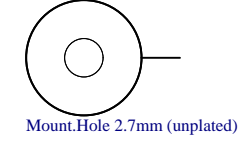
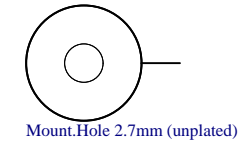
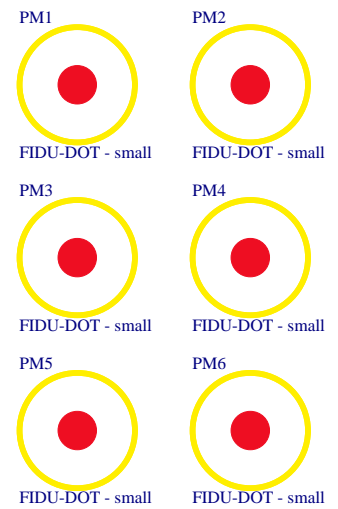
U_RPI_USB_HUB
RPi-USB-HUB.SchDoc



U_RPI_CAM_LCD
RPi-CAM-LCD.SchDoc



U_RPI_USB_ETH_CON
RPi-USB-ETH-CON.SchDoc



Serial
Serialnumber 6,3 x 6.3mm

| | |
|------------------|------------|
| Assembly variant | 41C74-Q |
| Created by | MR |
| Modified by | MR |
| Modified at | 2021-01-21 |
| SVN Revision | 695 |



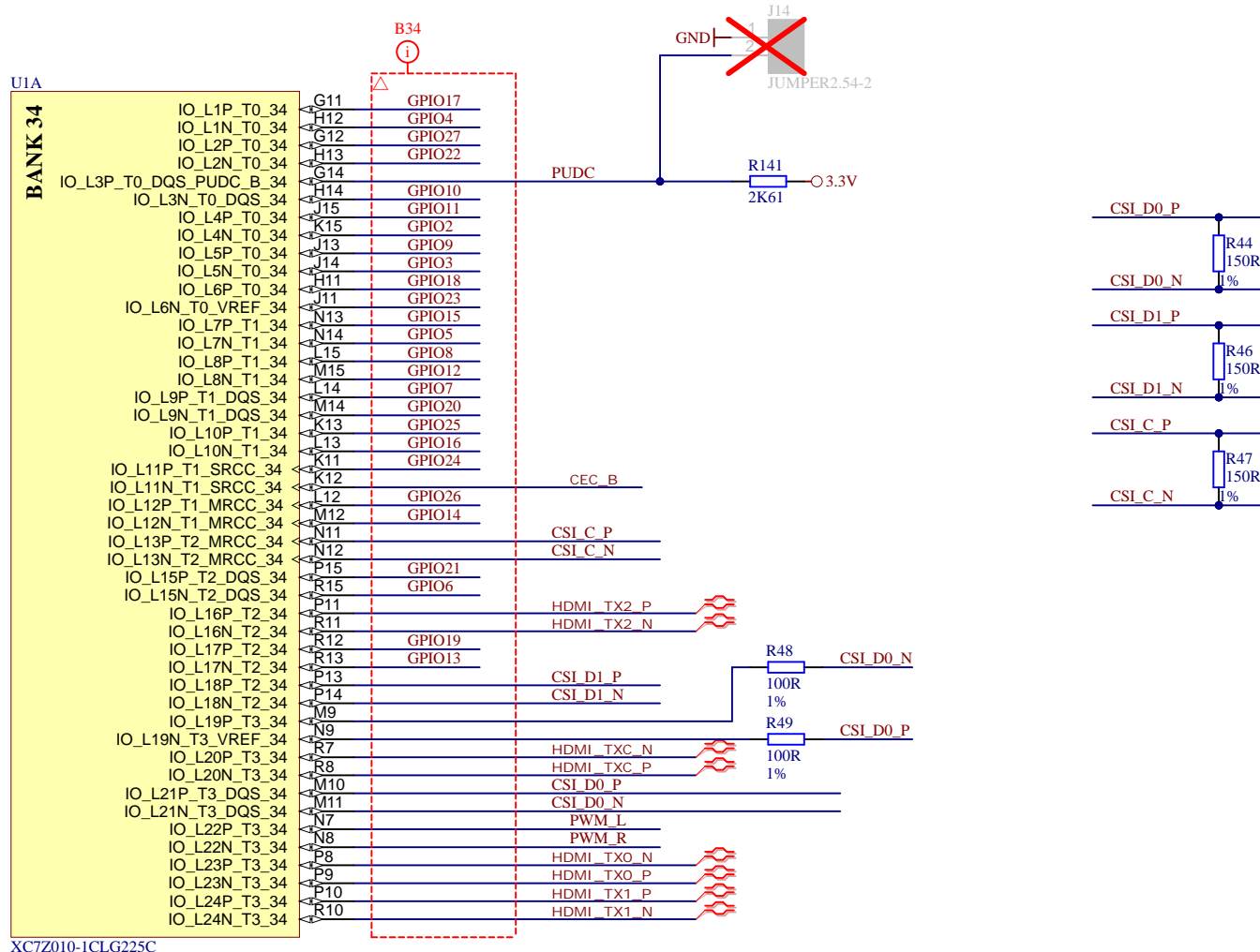
| | | |
|-------------------------|----------------------------------|-------------|
| Title: TE0726 | | |
| A4 | Number: TE0726 41C74-Q | Rev. 03 |
| Date: 2016-05-06 | Copyright: Trenz Electronic GmbH | Page1 of 14 |
| Filename: TE0726.SchDoc | | |

1

2

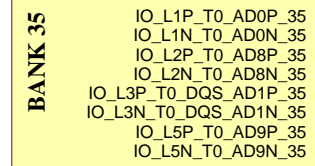
3

4

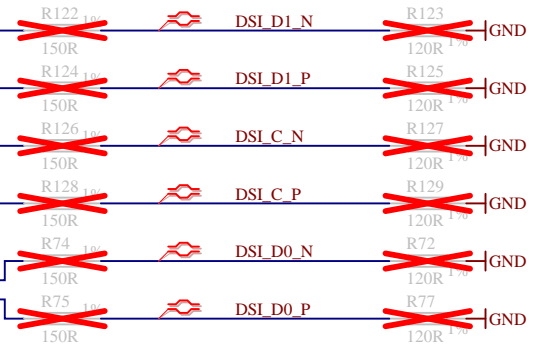
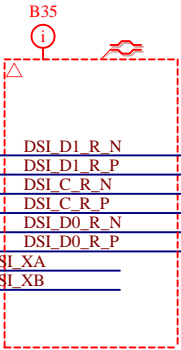
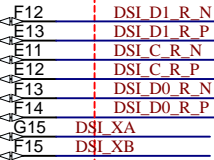



| | | |
|---------------------------|----------------------------------|-------------|
| Title: TE0726 - FPGA B34 | | |
| A4 | Number: TE0726 41C74-Q | Rev. 03 |
| Date: 2016-05-06 | Copyright: Trenz Electronic GmbH | Page2 of 14 |
| Filename: FPGA_B34.SchDoc | | |

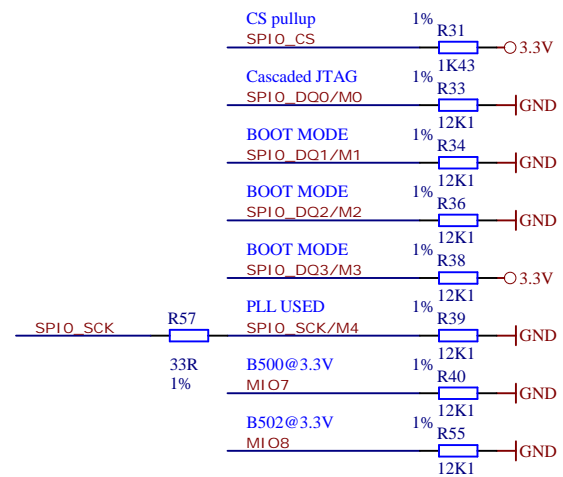
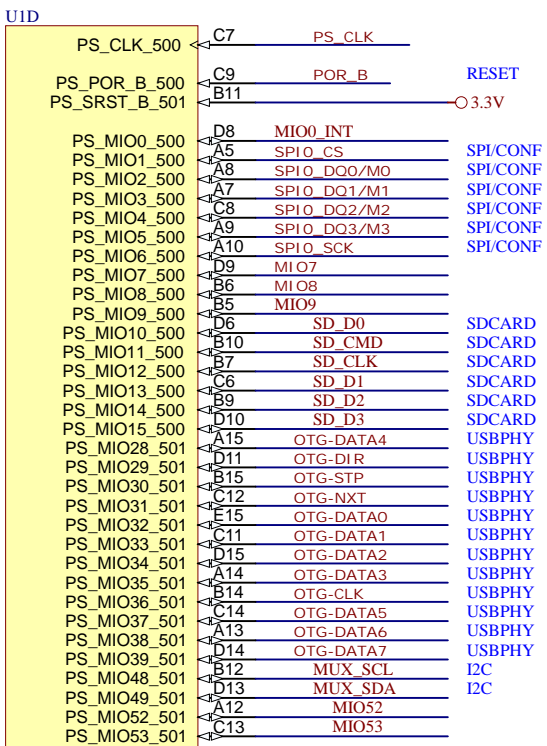
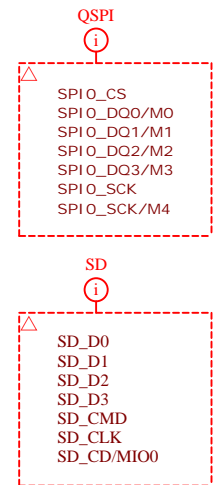
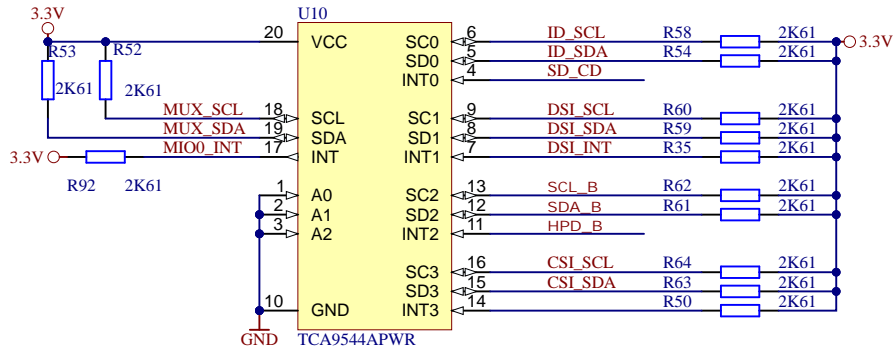
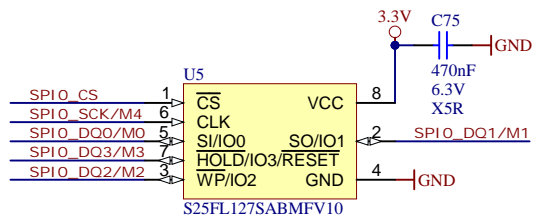

U1B



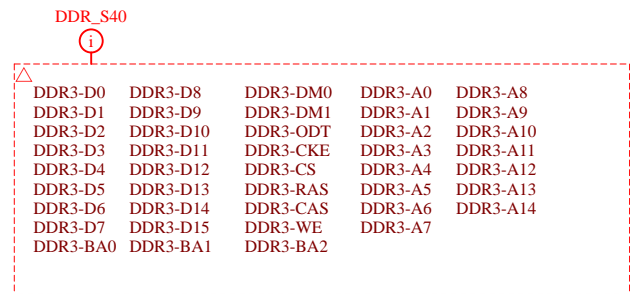
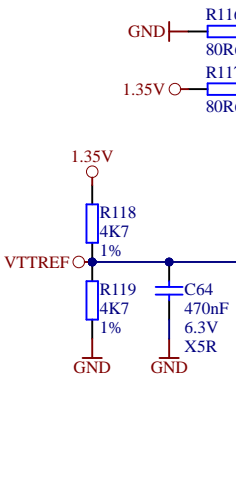
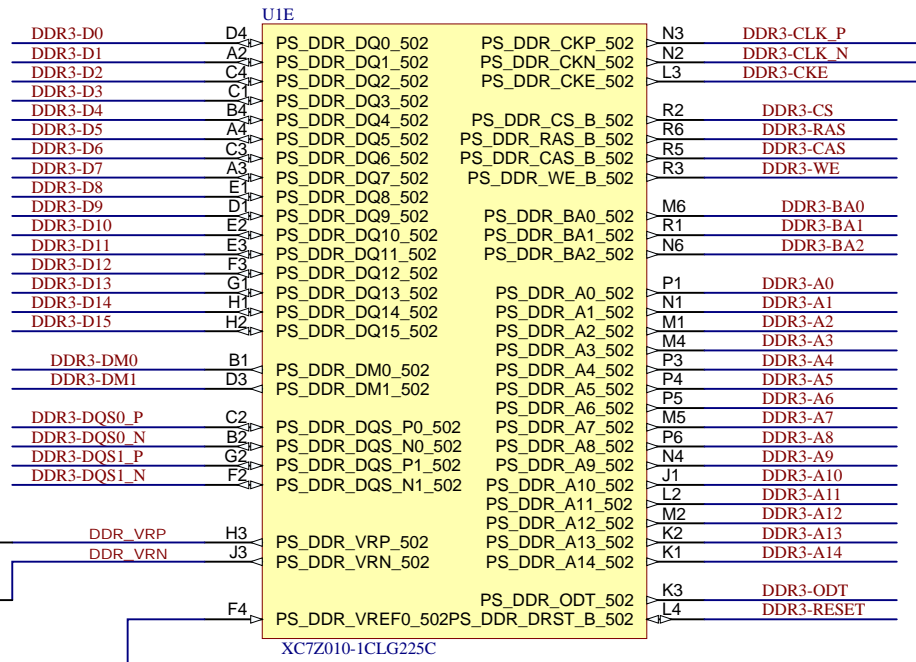
XC7Z010-1CLG225C

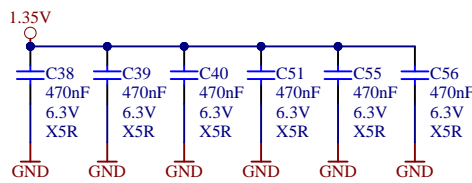
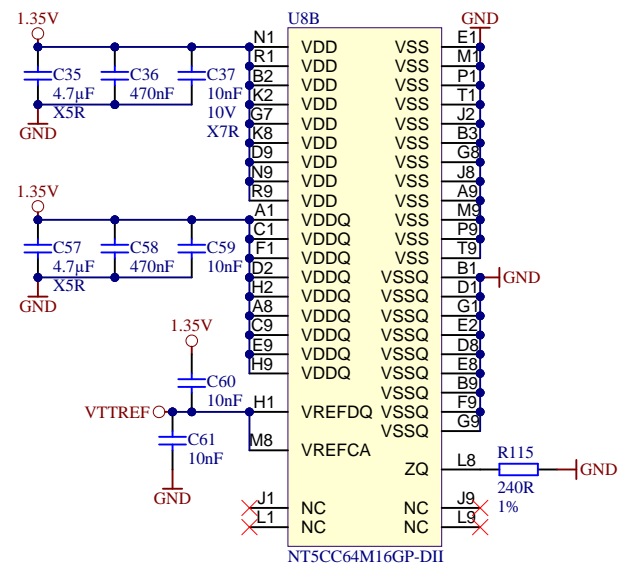
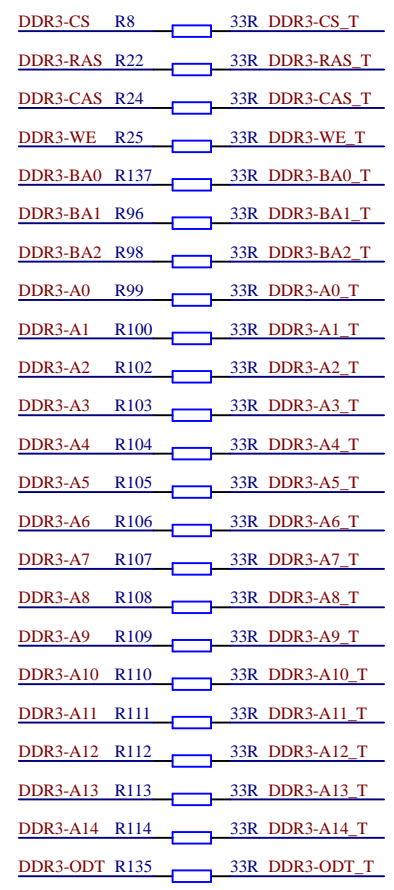
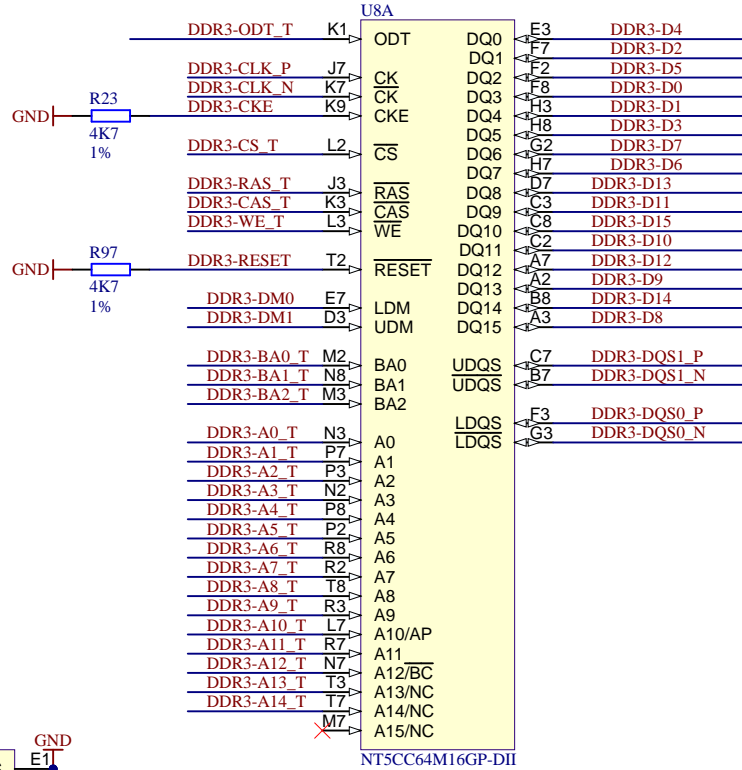
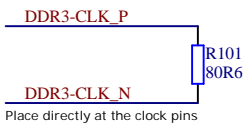
| | | |
|---------------------------|----------------------------------|--------------|
| Title: TE0726 - FPGA B35 | | |
| A4 | Number: TE0726 41C74-Q | Rev. 03 |
| Date: 2016-05-06 | Copyright: Trenz Electronic GmbH | Page 3 of 14 |
| Filename: FPGA_B35.SchDoc | | |

| | | |
|---------------------------|----------------------------------|-------------|
| Title: TE0726 - FPGA MIO | | |
| A4 | Number: TE0726 41C74-Q | Rev. 03 |
| Date: 2016-05-06 | Copyright: Trenz Electronic GmbH | Page4 of 14 |
| Filename: FPGA_MIO.SchDoc | | |



| | | | |
|--|----------------------------------|---|----------------------------|
| | Title: TE0726 - FPGA RAM | | |
| | A4 | Number: TE0726 41C74-Q | Rev. 03 |
| | Date: 2016-05-06 | Copyright: Trenz Electronic GmbH | Page 6 of 14 |
| | Filename: FPGA_RAM.SchDoc | | |



| | | |
|----------------------------|----------------------------------|--------------|
| Title: TE0726 - DDR Memory | | |
| A4 | Number: TE0726 41C74-Q | Rev. 03 |
| Date: 2016-05-06 | Copyright: Trenz Electronic GmbH | Page 7 of 14 |
| Filename: DDR3-RAM.SchDoc | | |

1

2

3

4

A

A

B

B

C

C

D

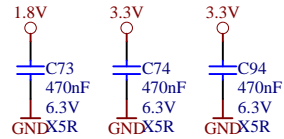
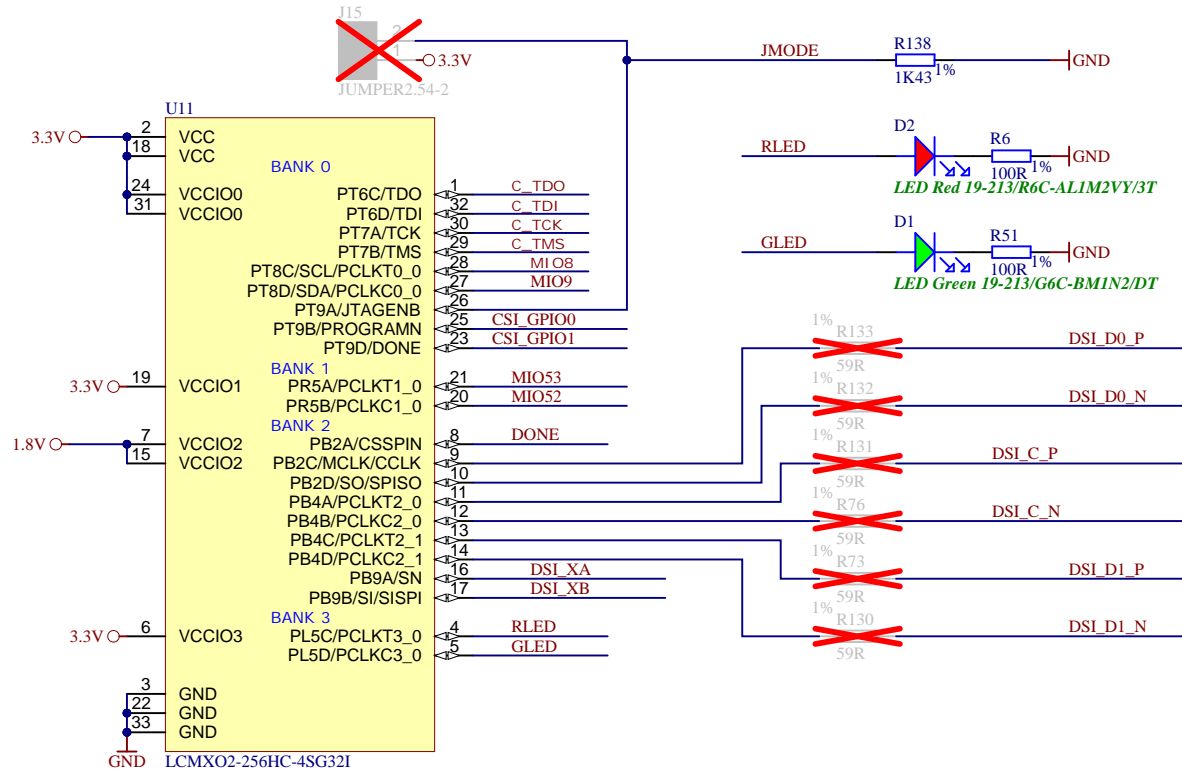
D


1

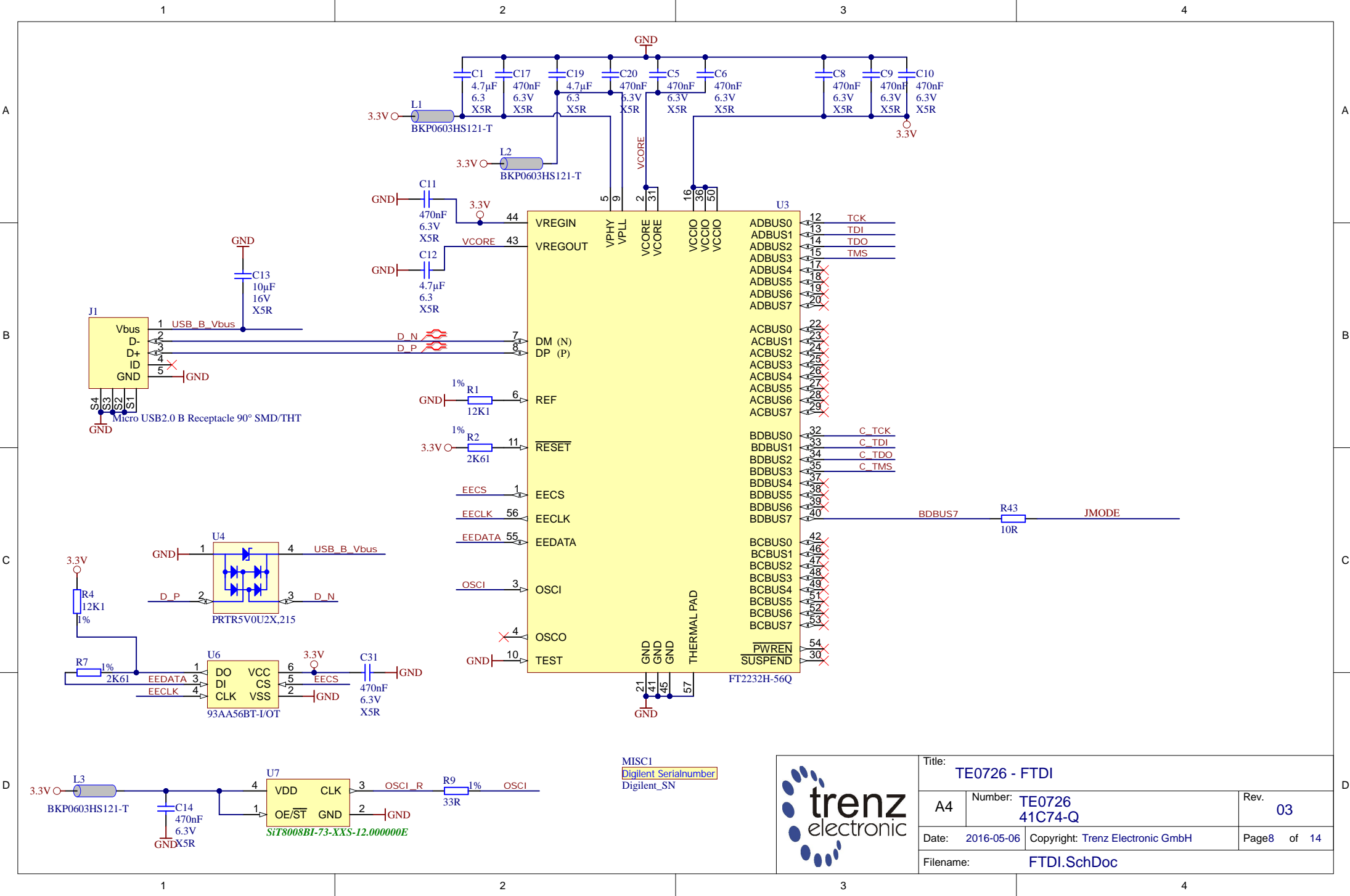
2

3

4



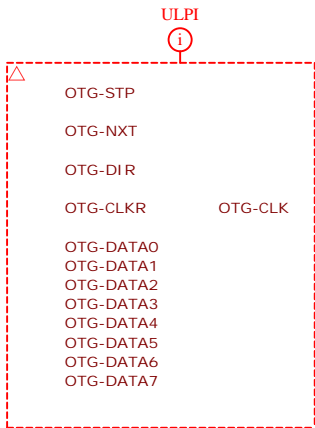
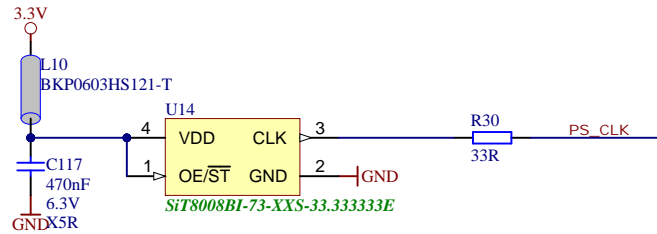
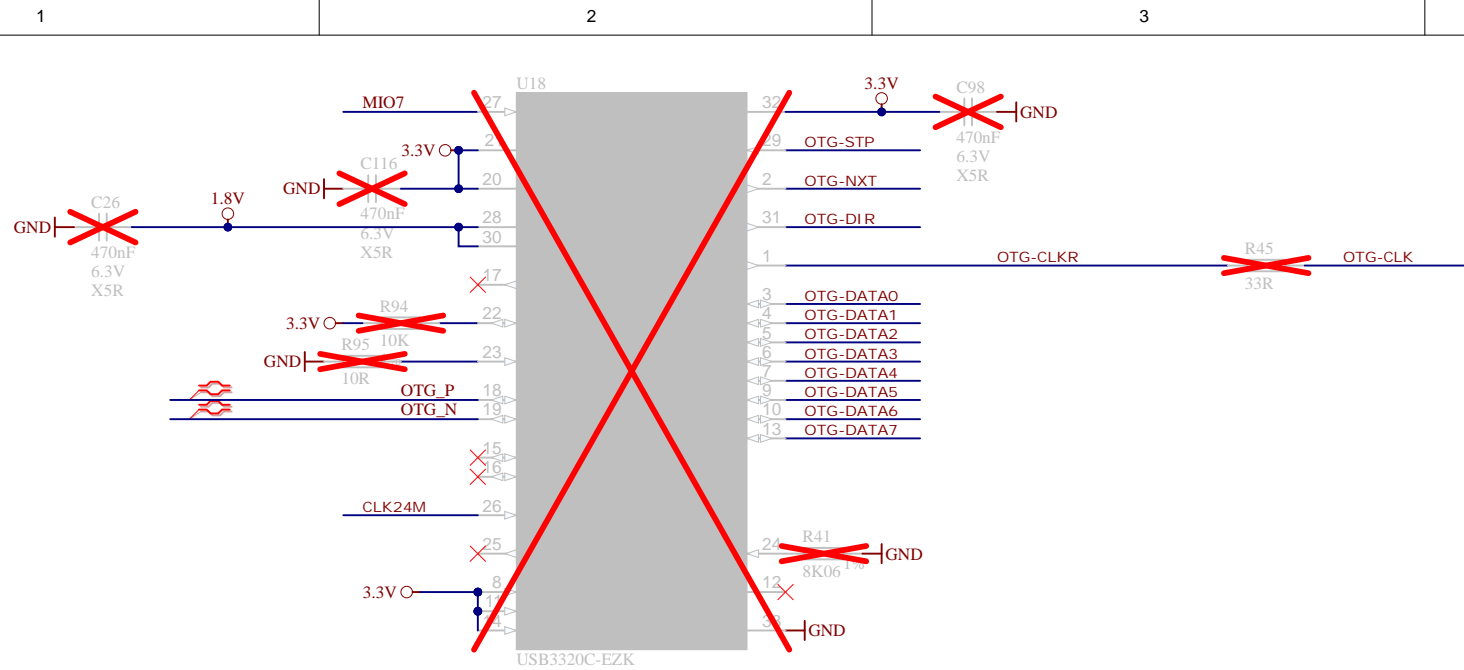
| | | | |
|---|----------------------|----------------------------------|--------------|
|  | Title: TE0726 - CPLD | | |
| | A4 | Number: TE0726 41C74-Q | Rev. 03 |
| | Date: 2016-05-06 | Copyright: Trenz Electronic GmbH | Page 8 of 14 |
| | Filename: SC.SchDoc | | |




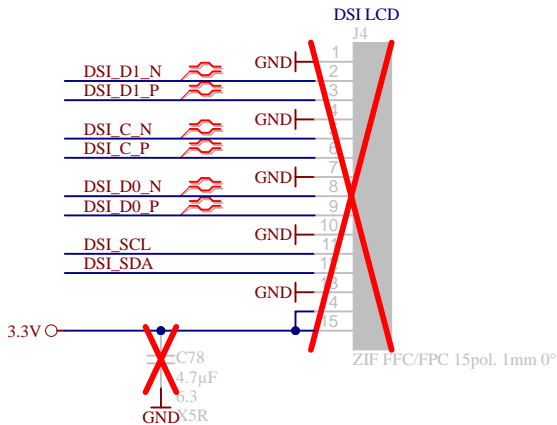
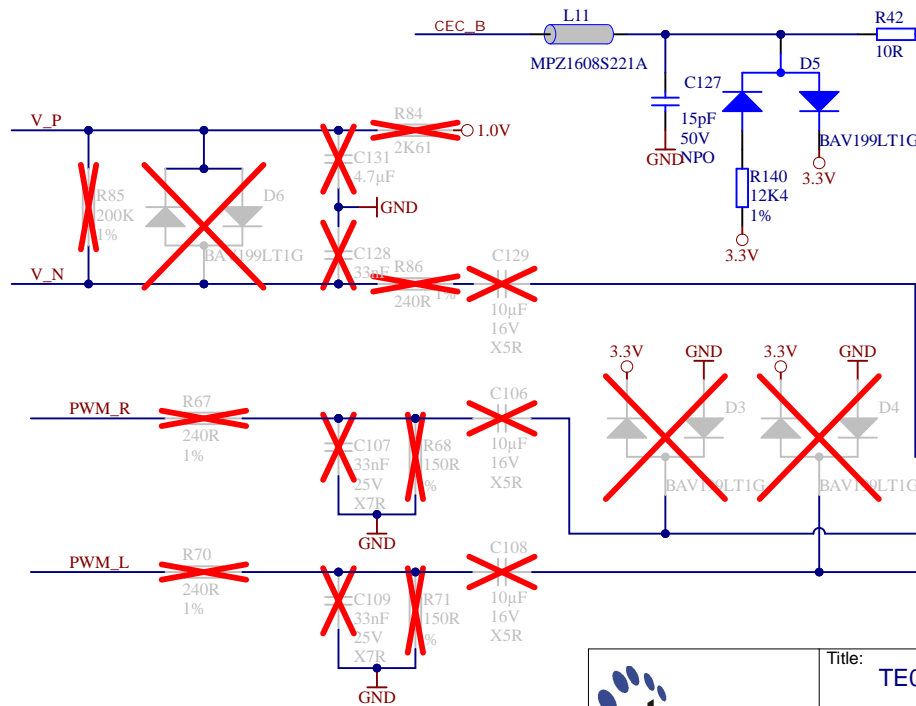
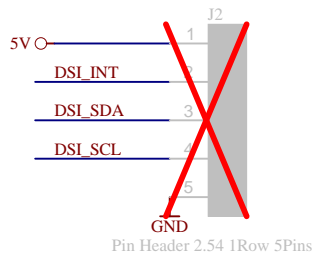
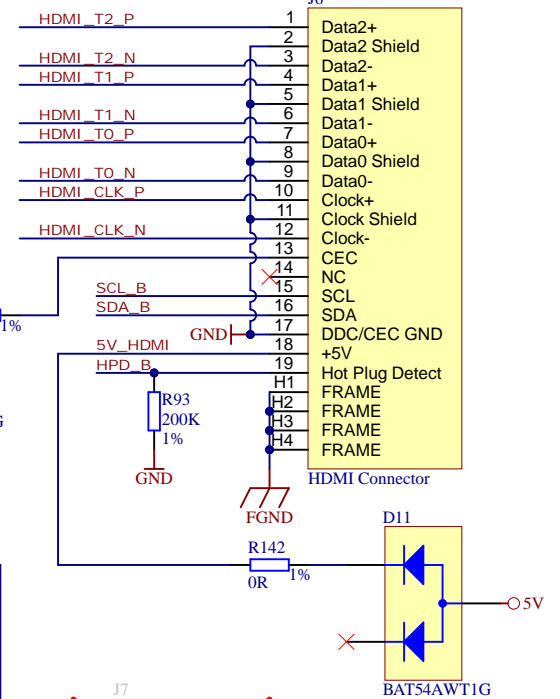
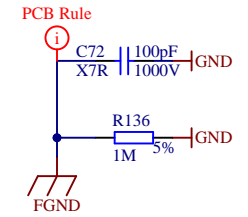
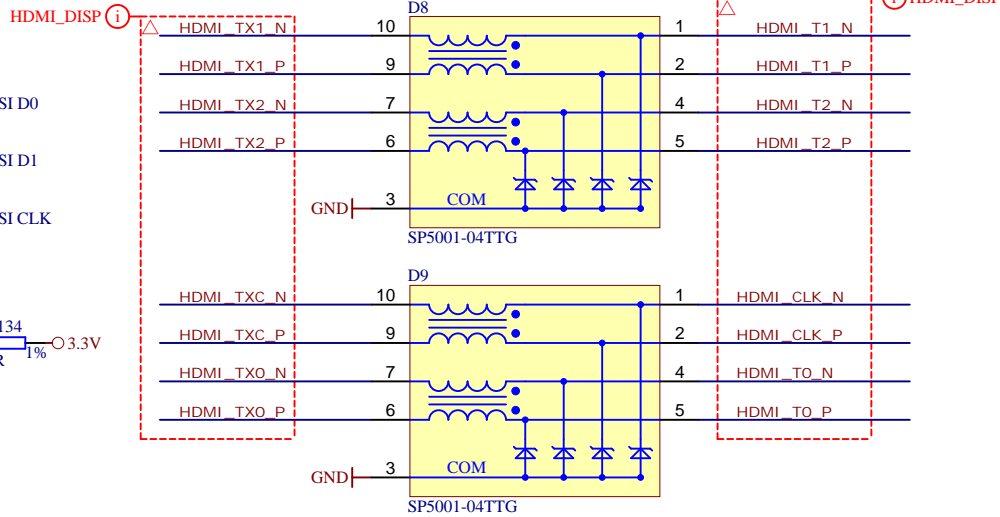
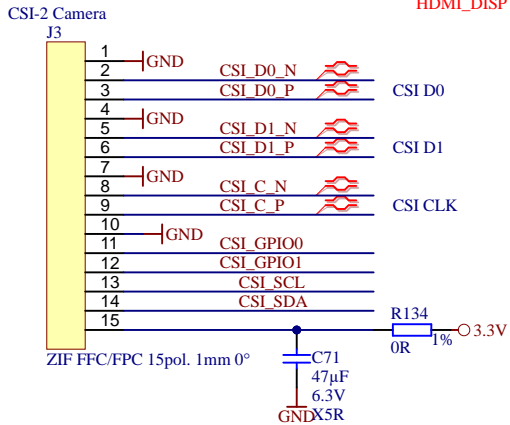
MISC1
 Diligent Serialnumber
 Diligent_SN



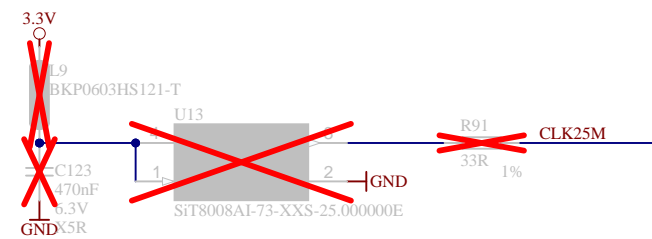
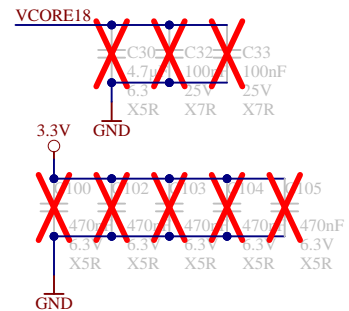
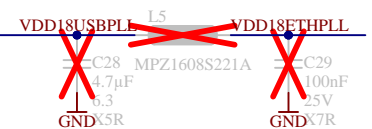
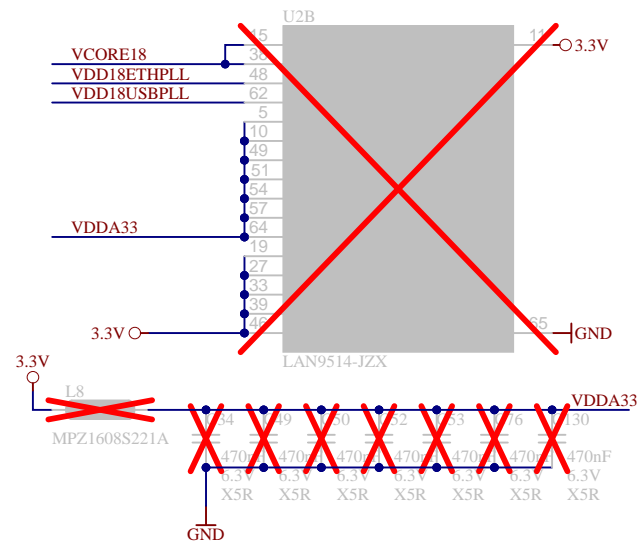
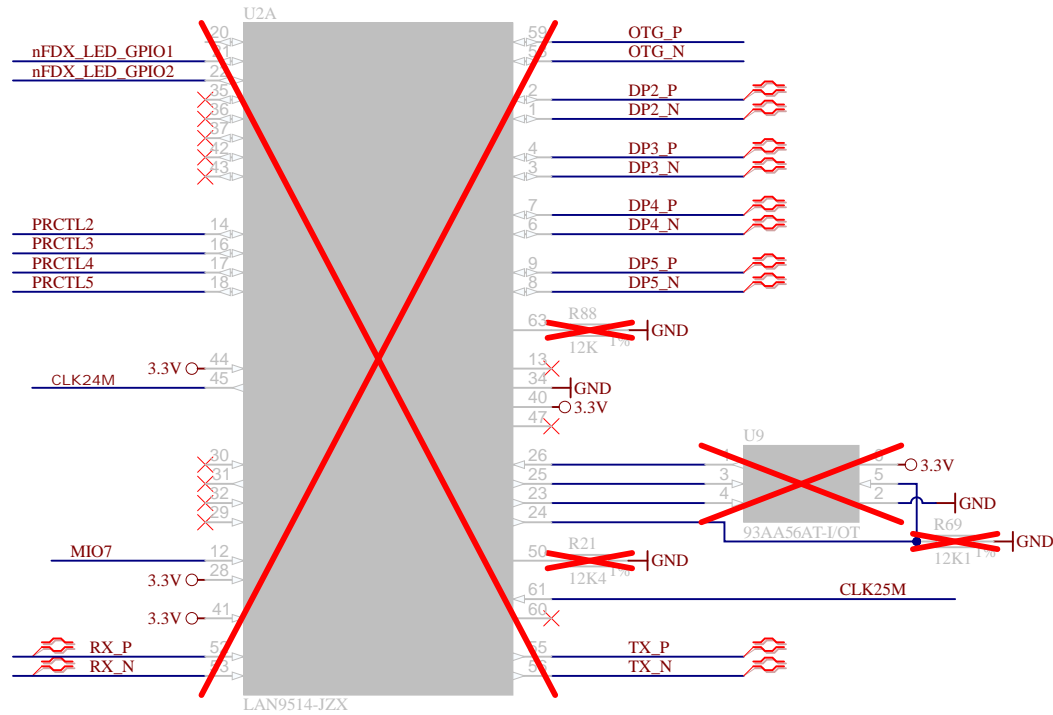
| | | |
|-----------------------|----------------------------------|-------------|
| Title: TE0726 - FTDI | | |
| A4 | Number: TE0726 41C74-Q | Rev. 03 |
| Date: 2016-05-06 | Copyright: Trenz Electronic GmbH | Page8 of 14 |
| Filename: FTDI.SchDoc | | |



| | | | |
|---|--|----------------------------------|---------------------------|
|  | | Title: TE0726 - USB | |
| | | A4 | Number: TE0726 41C74-Q |
| Date: 2016-05-06 | | Copyright: Trenz Electronic GmbH | |
| Page 9 | | of 14 | |
| Filename: USB-PHY.SchDoc | | | |



| | | |
|------------------------------|----------------------------------|---------------|
| Title: TE0726 - Connectors | | |
| A4 | Number: TE0726 41C74-Q | Rev. 03 |
| Date: 2016-05-06 | Copyright: Trenz Electronic GmbH | Page 10 of 14 |
| Filename: RPi-CAM-LCD.SchDoc | | |



| | | | |
|--|-------------------------------------|---|-----------------------------|
| | Title: TE0726 - Connectors | | |
| | A4 | Number: TE0726 41C74-Q | Rev. 03 |
| | Date: 2016-05-06 | Copyright: Trenz Electronic GmbH | Page 11 of 14 |
| | Filename: RPi-USB-HUB.SchDoc | | |

1

2

3

4

A

A

B

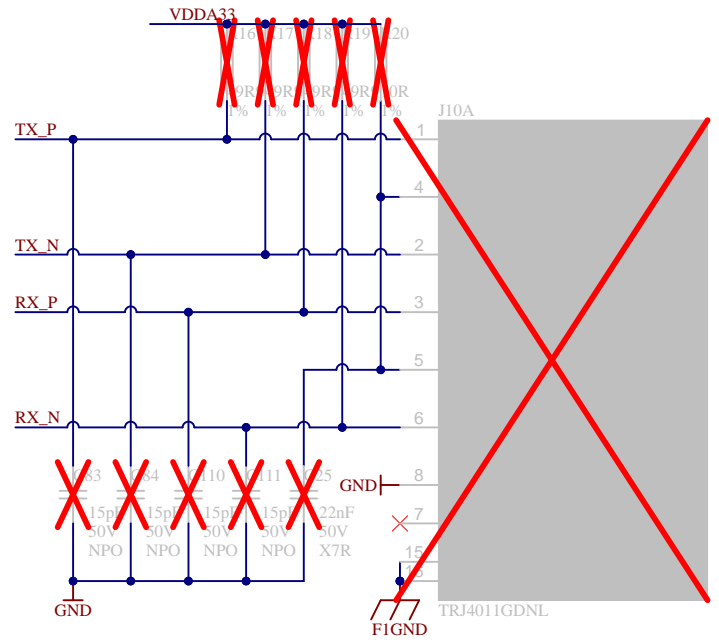
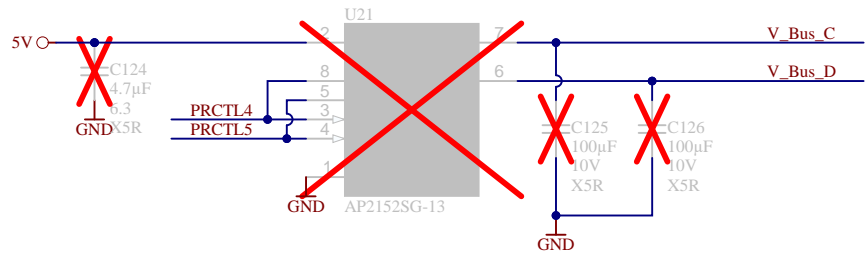
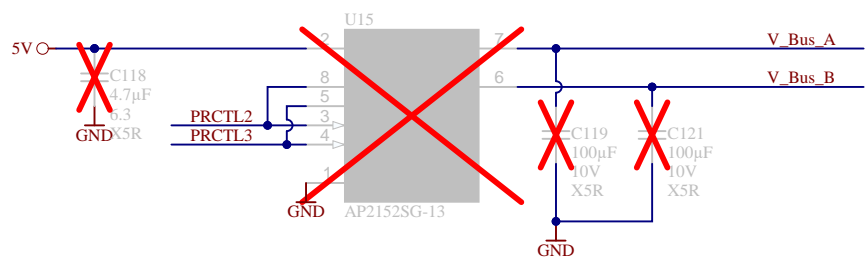
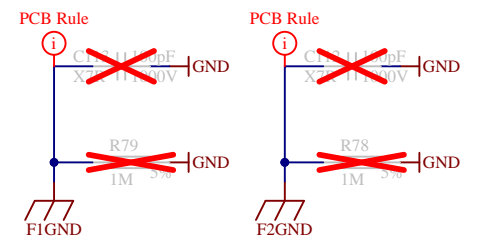
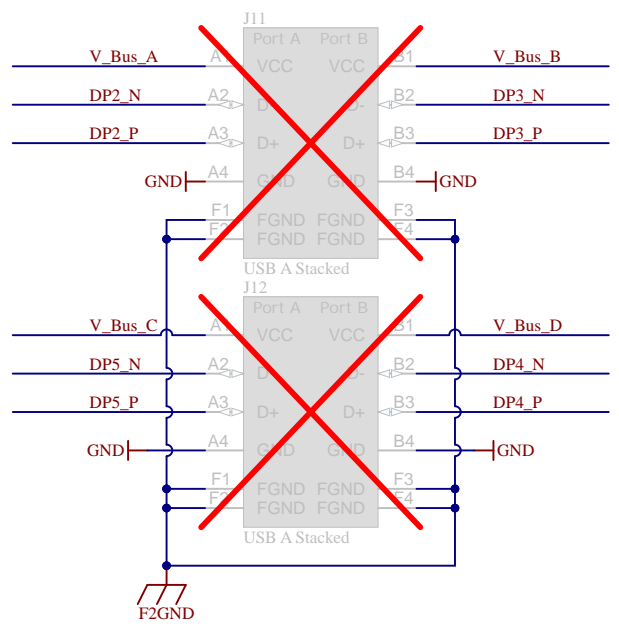
B


C

C

D

D



| | | | | |
|---|--|----------------------------------|------------------------------|---------------------------|
|  | | | Title: TE0726 - USB ETHERNET | |
| | | | A4 | Number: TE0726 41C74-Q |
| Date: 2016-05-06 | | Copyright: Trenz Electronic GmbH | | Page 12 of 14 |
| Filename: PRI-USB-ETH-CON.SchDoc | | | | |

1

2

3

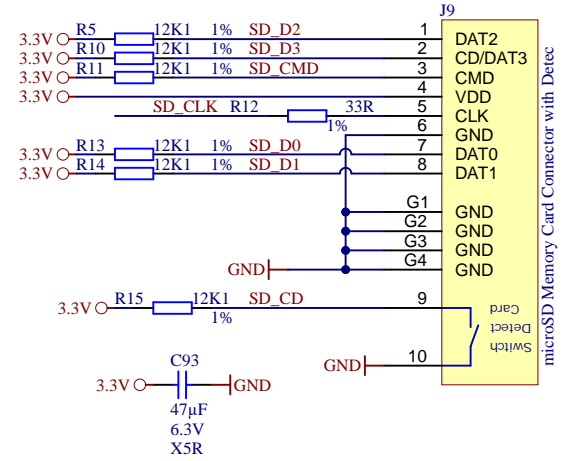
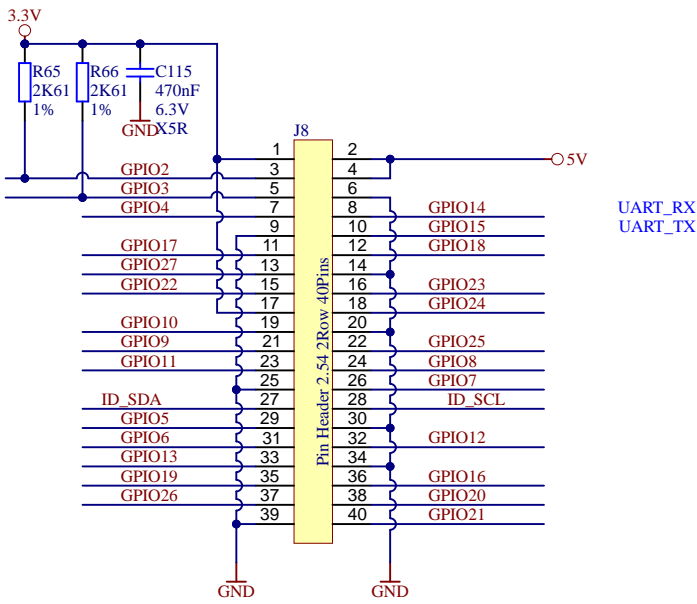
4

1

2

3

4



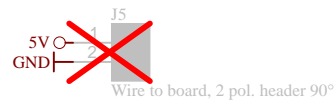
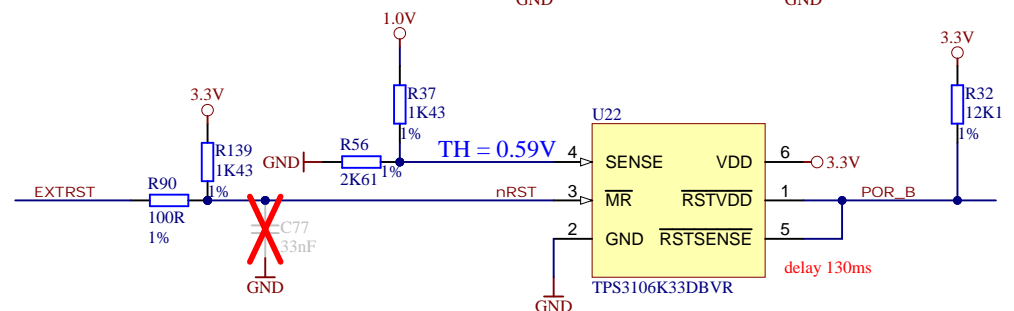
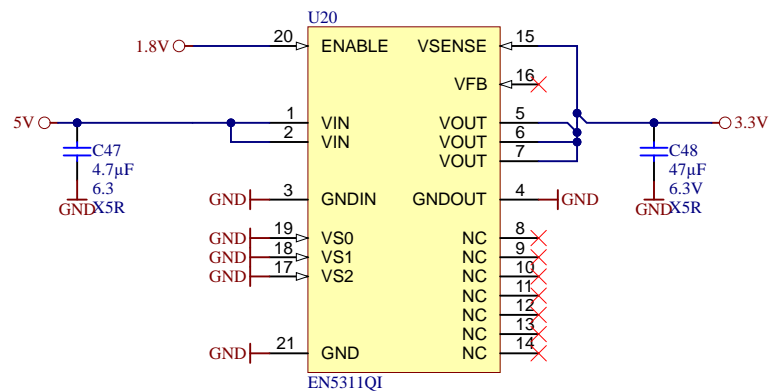
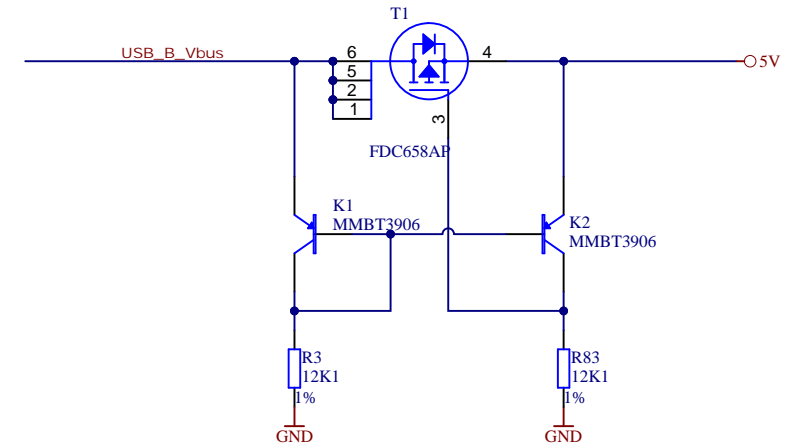
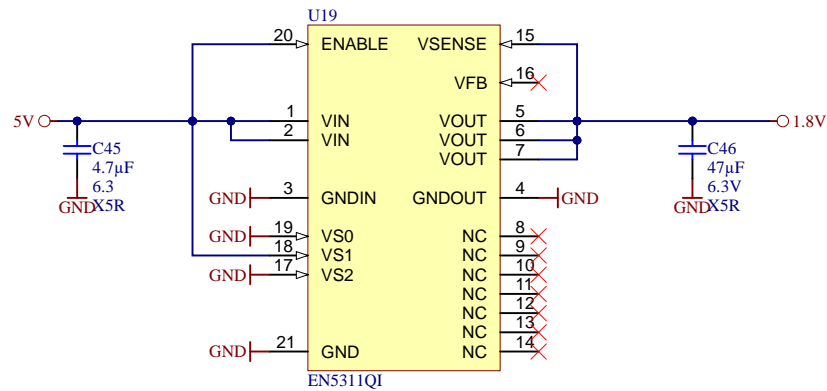
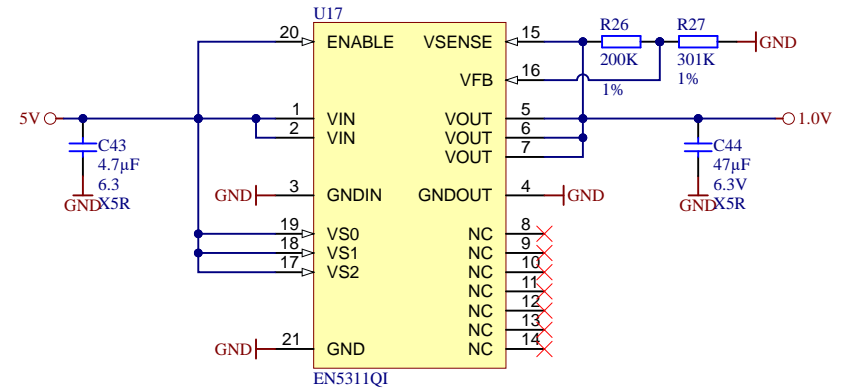
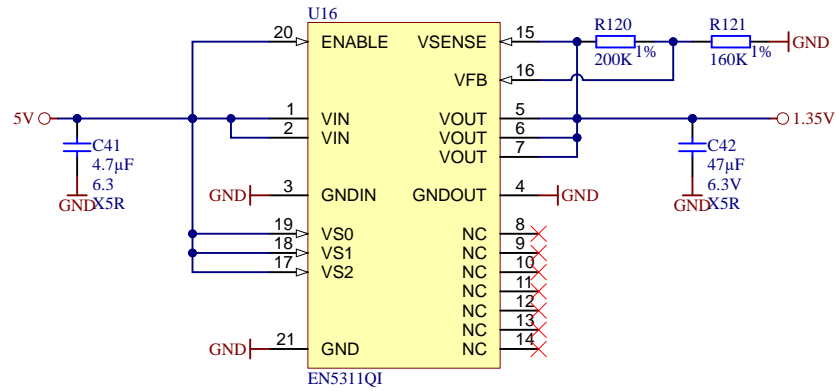
| | | |
|------------------------------|----------------------------------|--------------|
| Title: TE0726 - Connectors | | |
| A4 | Number: TE0726 41C74-Q | Rev. 03 |
| Date: 2016-05-06 | Copyright: Trenz Electronic GmbH | Page13 of 14 |
| Filename: RPi-Headers.SchDoc | | |

1

2

3

4



trenz electronic

| | | |
|------------------------------|----------------------------------|---------------|
| Title: TE0726 - PowerSupply | | |
| A4 | Number: TE0726 41C74-Q | Rev. 03 |
| Date: 2016-05-06 | Copyright: Trenz Electronic GmbH | Page 14 of 14 |
| Filename: PowerSupply.SchDoc | | |