

1

2

3

4

A

A

B

B

C

C

D

D

U_RPi-Headers
RPi-Headers.SchDoc

U_SC
SC.SchDoc

U_FPGA_B34
FPGA_B34.SchDoc

U_FPGA_B35
FPGA_B35.SchDoc

U_FPGA_MIO
FPGA_MIO.SchDoc

U_FPGA_RAM
FPGA_RAM.SchDoc

U_FPGA_PWR
FPGA_PWR.SchDoc

U_DDR3-RAM
DDR3-RAM.SchDoc

U_USB-PHY
USB-PHY.SchDoc

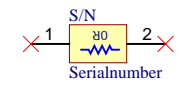
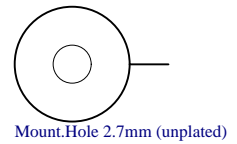
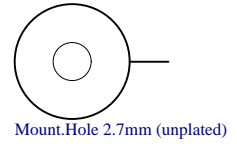
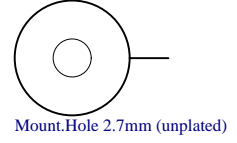
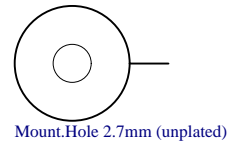
U_PowerSupply
PowerSupply.SchDoc

U_FTDI
FTDI.SchDoc

U_RPI_USB_HUB
RPi-USB-HUB.SchDoc

U_RPI_CAM_LCD
RPi-CAM-LCD.SchDoc

U_RPI_USB_ETH_CON
RPi-USB-ETH-CON.SchDoc



LOGO1
TE Logo PRINT Layer
LOGO PRINT

Serial
Serialnumber 6,3 x 6.3mm

PM1 FIDU-DOT - small

PM2 FIDU-DOT - small

PM3 FIDU-DOT - small

PM4 FIDU-DOT - small

PM5 FIDU-DOT - small

PM6 FIDU-DOT - small



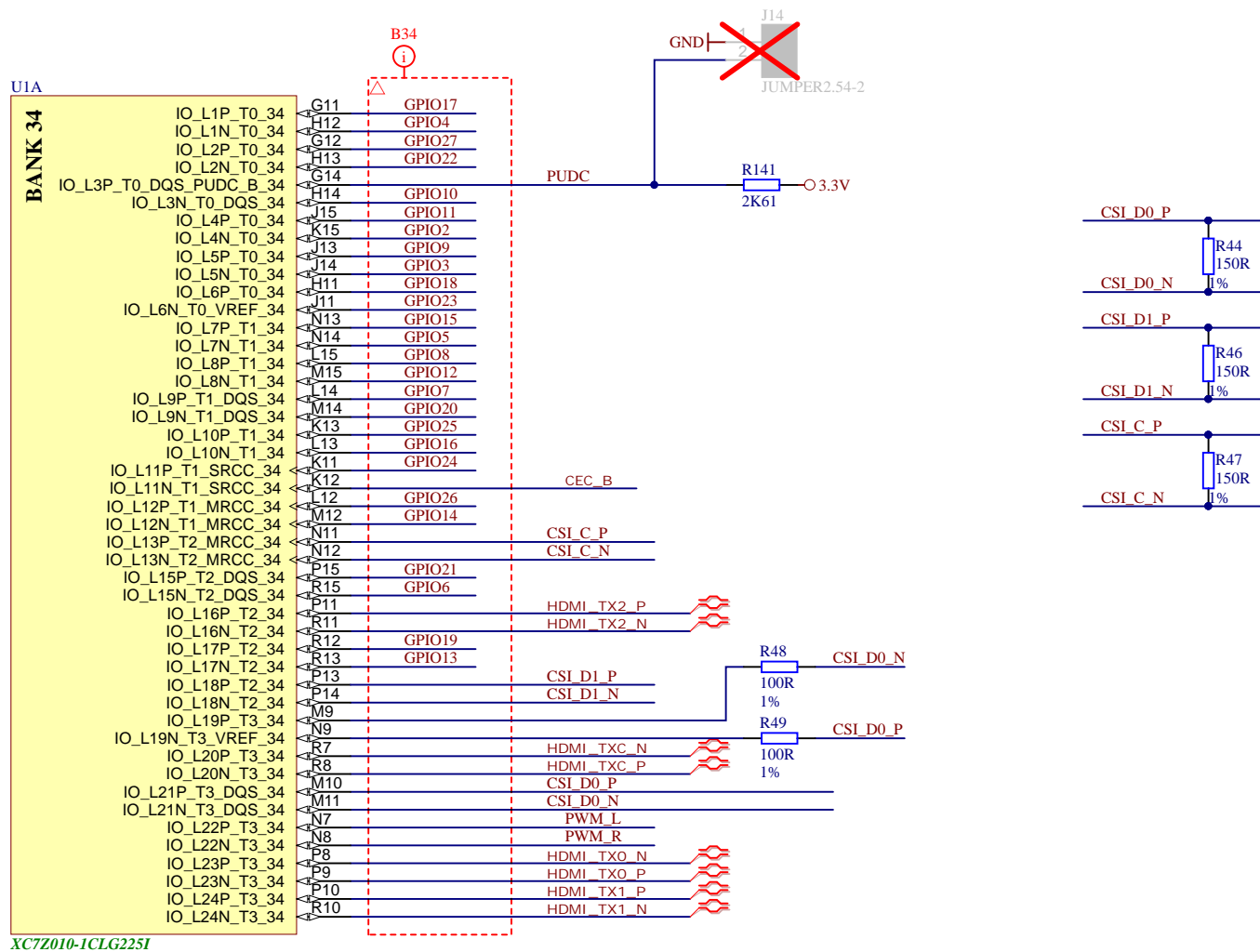
Title: TE0726		
A4	Number: TE0726 TE0726-03IM	Rev. 03
Date: 2016-05-06	Copyright: Trenz Electronic GmbH	Page1 of 14
Filename: TE0726.SchDoc		

1

2

3

4



Title: TE0726 - FPGA B34		
A4	Number: TE0726 TE0726-03IM	Rev. 03
Date: 2016-05-06	Copyright: Trenz Electronic GmbH	Page2 of 14
Filename: FPGA_B34.SchDoc		

1

2

3

4

A

A

B

B

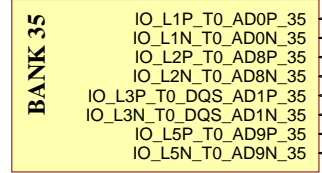
C

C

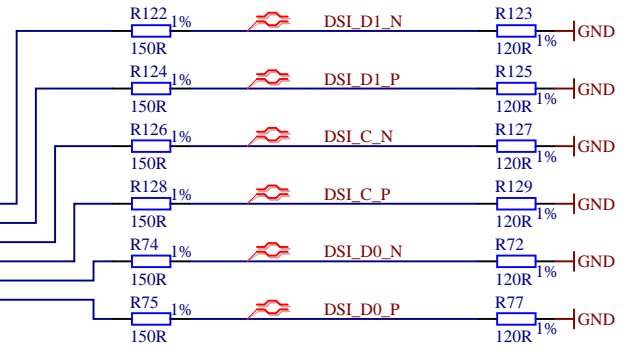
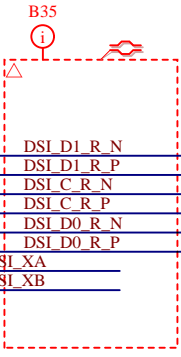
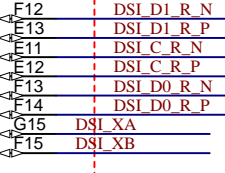
D

D

U1B



XC7Z010-1CLG225I



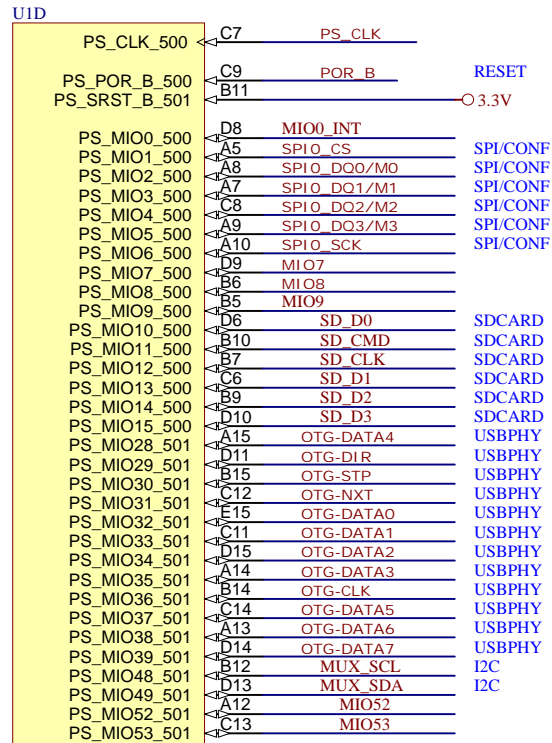
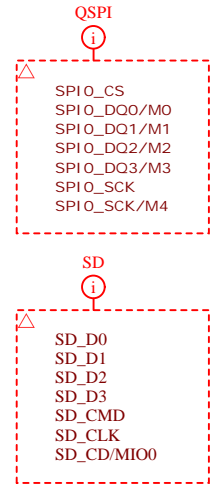
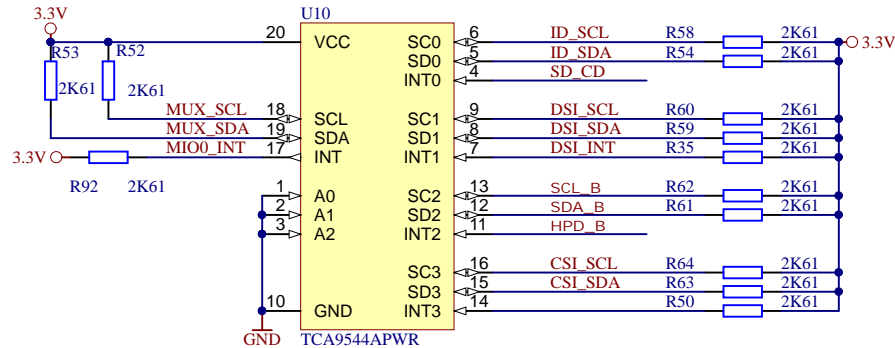
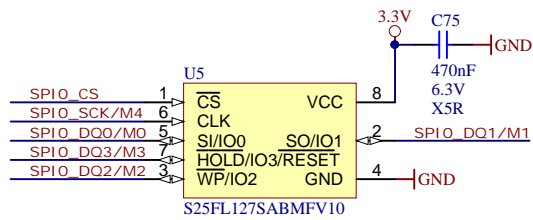
Title: TE0726 - FPGA B35		
A4	Number: TE0726 TE0726-03IM	Rev. 03
Date: 2016-05-06	Copyright: Trenz Electronic GmbH	Page3 of 14
Filename: FPGA_B35.SchDoc		

1

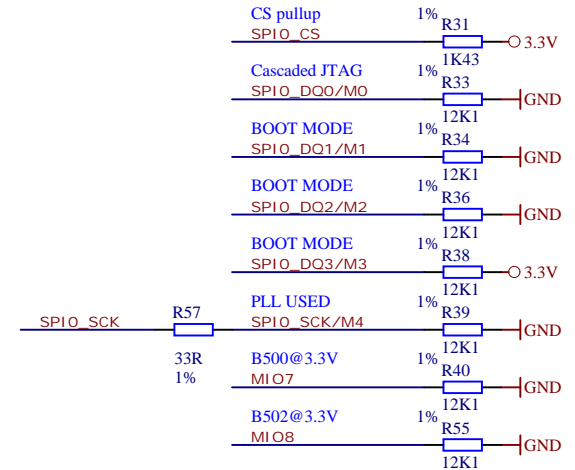
2

3

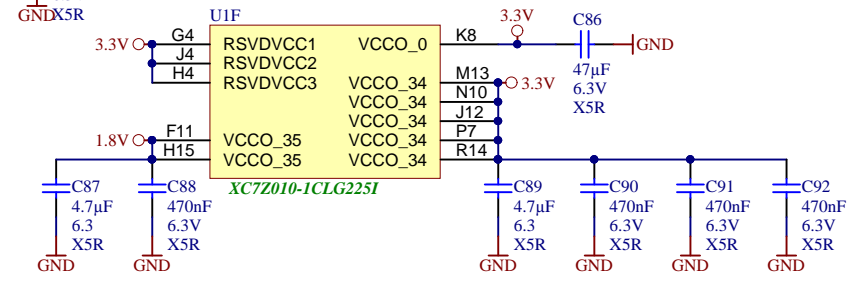
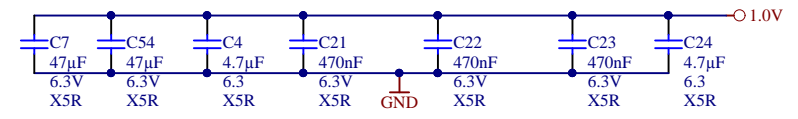
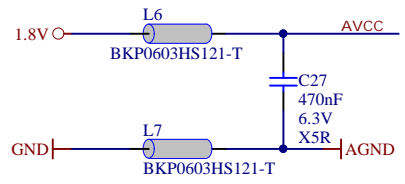
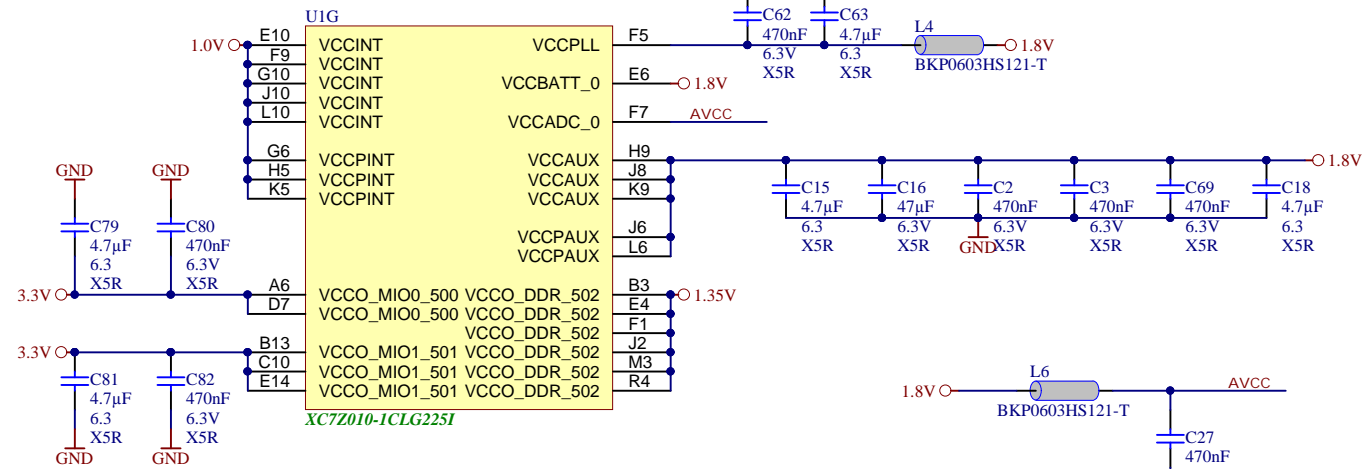
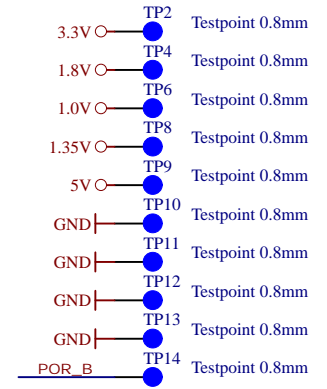
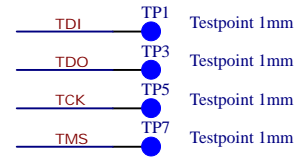
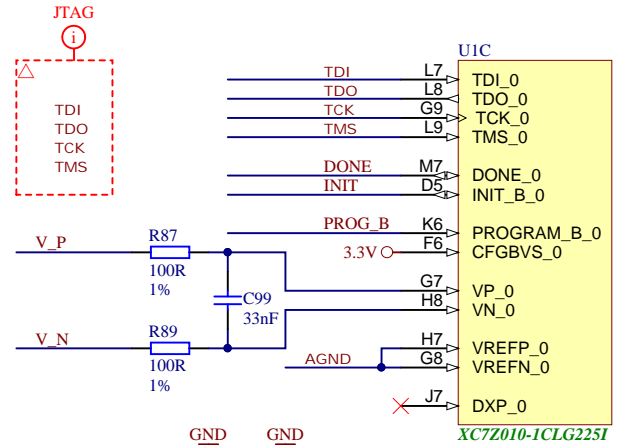
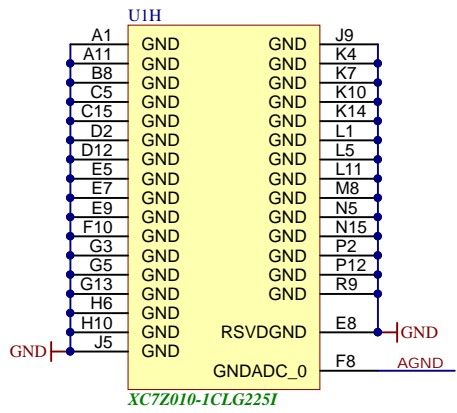
4



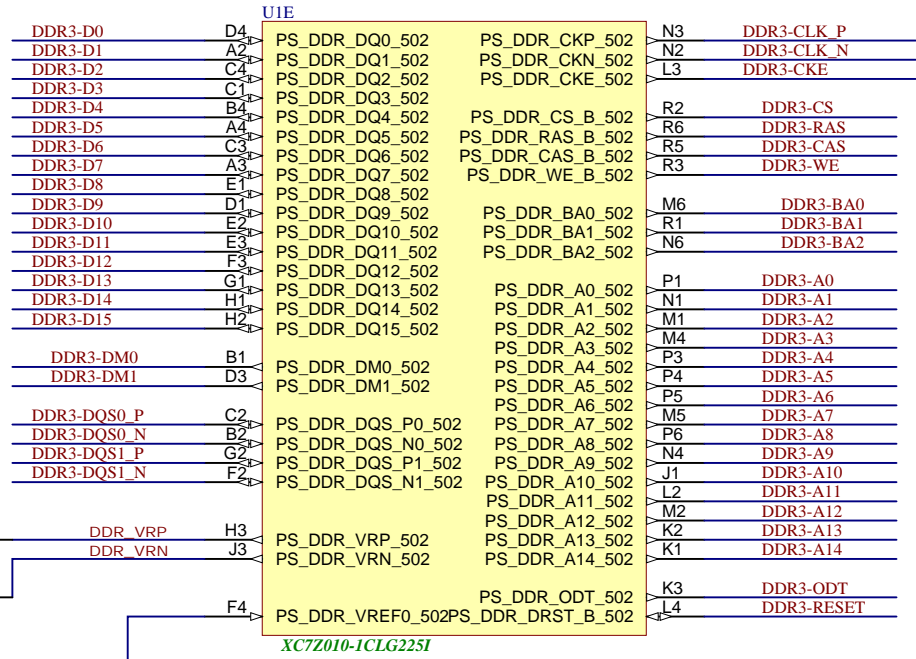
XC7Z010-1CLG225I



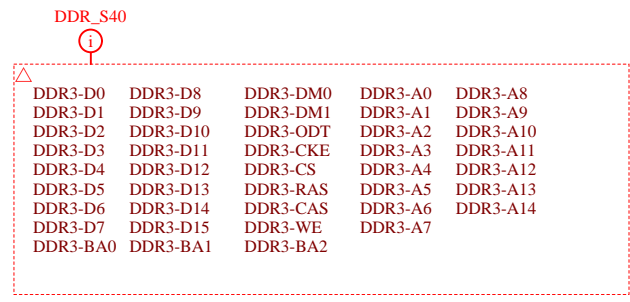
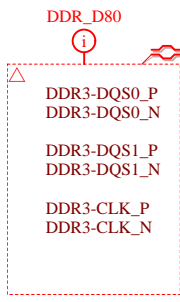
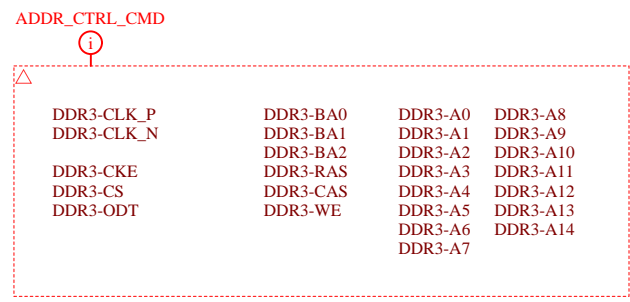
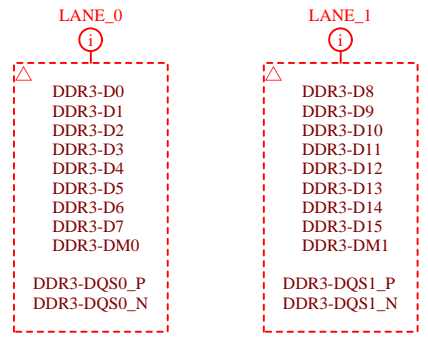
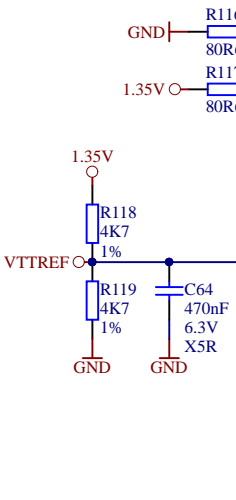
Title: TE0726 - FPGA MIO		
A4	Number: TE0726 TE0726-03IM	Rev. 03
Date: 2016-05-06	Copyright: Trenz Electronic GmbH	Page4 of 14
Filename: FPGA_MIO.SchDoc		



Title: TE0726 - FPGA PWR		
A4	Number: TE0726 TE0726-03IM	Rev. 03
Date: 2016-05-06	Copyright: Trenz Electronic GmbH	Page5 of 14
Filename: FPGA_PWR.SchDoc		



XC7Z010-1CLG225I



	Title: TE0726 - FPGA RAM		
	A4	Number: TE0726 TE0726-03IM	Rev. 03
	Date: 2016-05-06	Copyright: Trenz Electronic GmbH	Page 6 of 14
	Filename: FPGA_RAM.SchDoc		

A

A

B

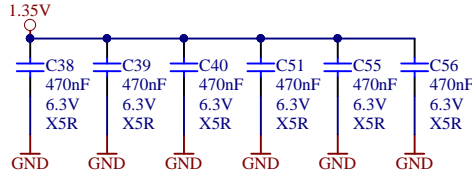
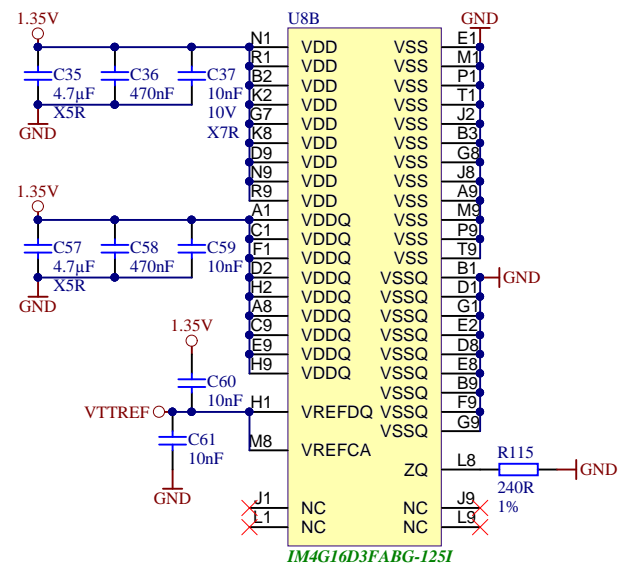
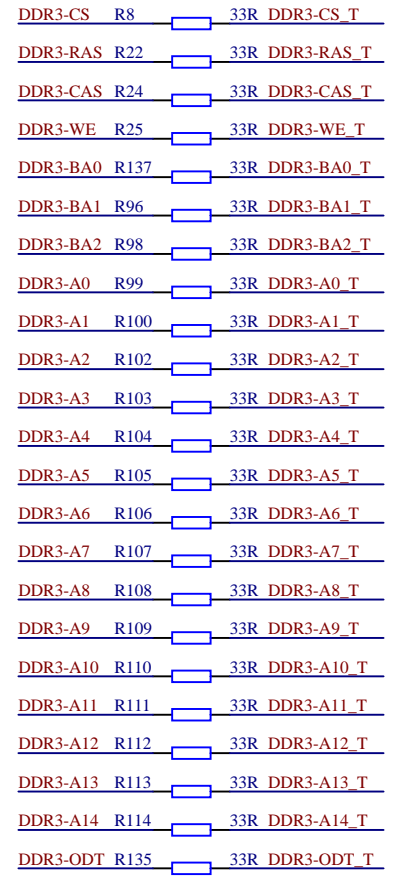
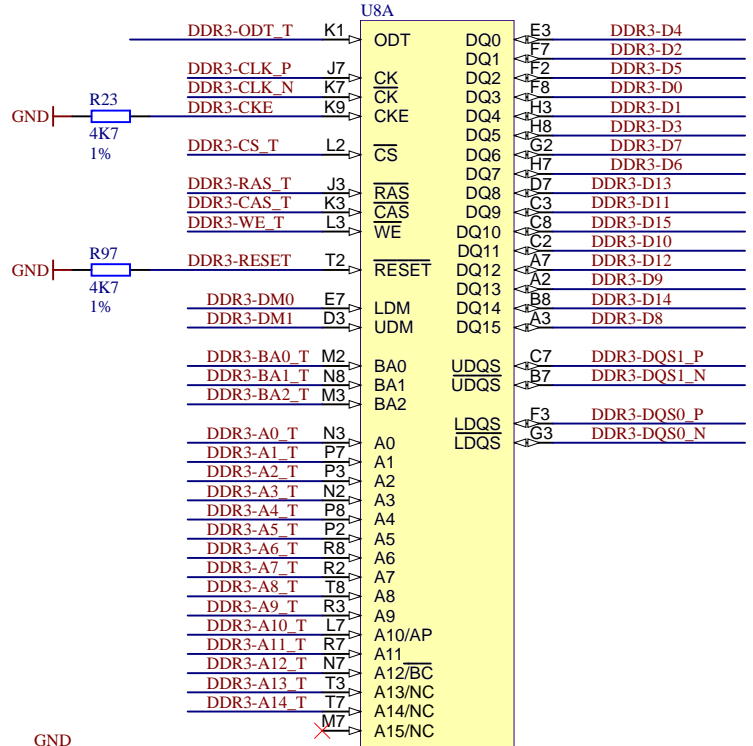
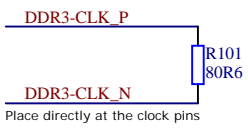
B

C

C

D

D



Title: TE0726 - DDR Memory		
A4	Number: TE0726 TE0726-03IM	Rev. 03
Date: 2016-05-06	Copyright: Trenz Electronic GmbH	Page 7 of 14
Filename: DDR3-RAM.SchDoc		

1

2

3

4

A

A

B

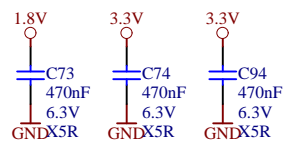
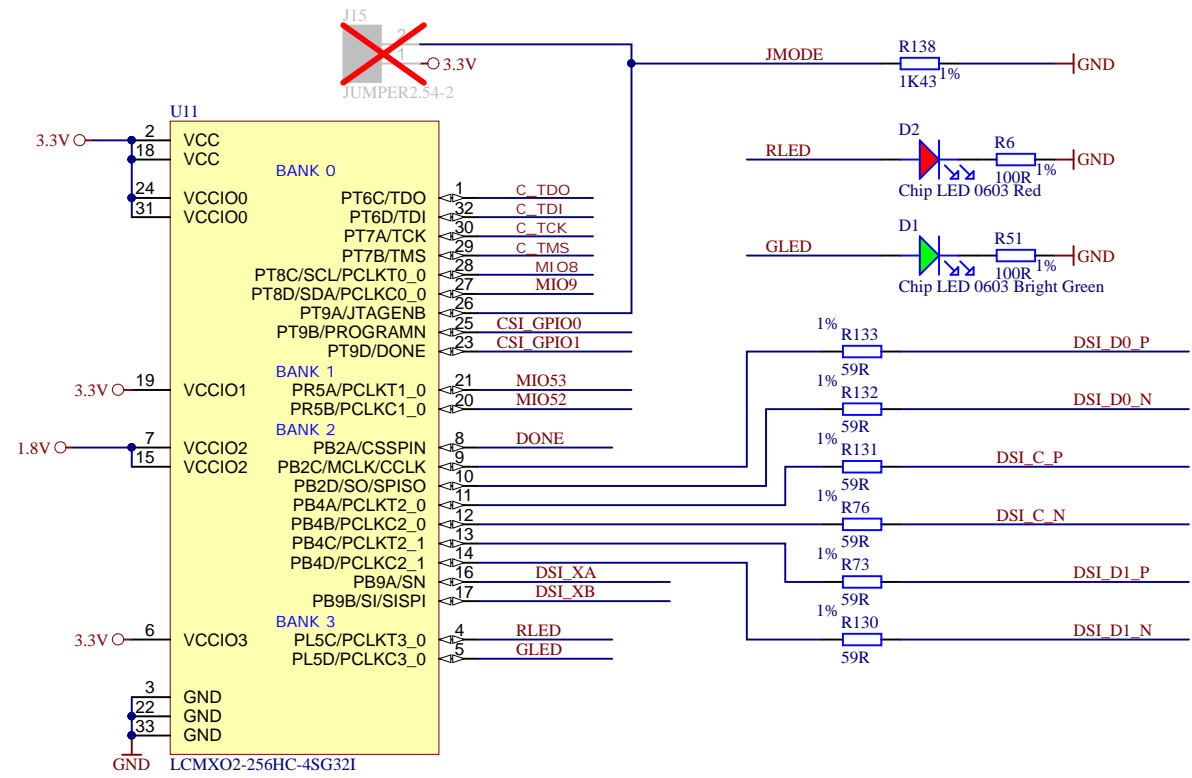
B

C

C

D

D



	Title: TE0726 - CPLD		
	A4	Number: TE0726 TE0726-03IM	Rev. 03
	Date: 2016-05-06	Copyright: Trenz Electronic GmbH	Page 8 of 14
	Filename: SC.SchDoc		

1

2

3

4

1

2

3

4

A

A

B

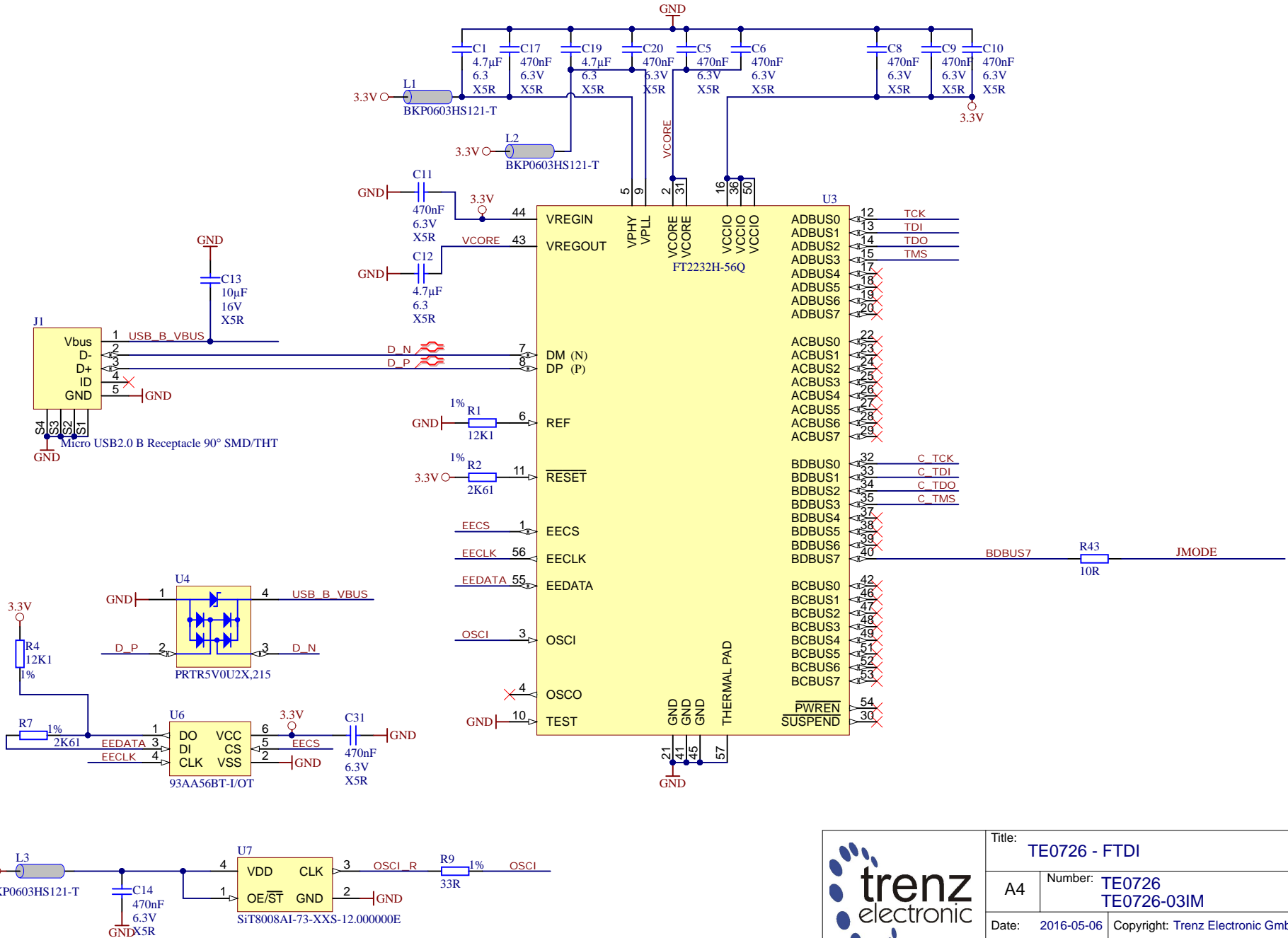
B

C

C

D

D



Title: TE0726 - FTDI		
A4	Number: TE0726 TE0726-03IM	Rev. 03
Date: 2016-05-06	Copyright: Trenz Electronic GmbH	Page8 of 14
Filename: FTDI.SchDoc		

1

2

3

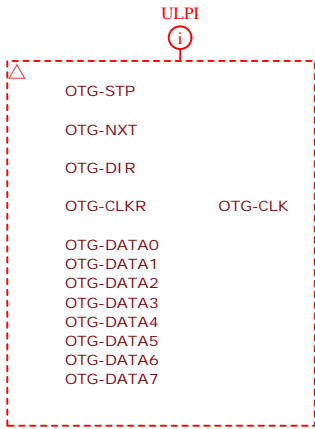
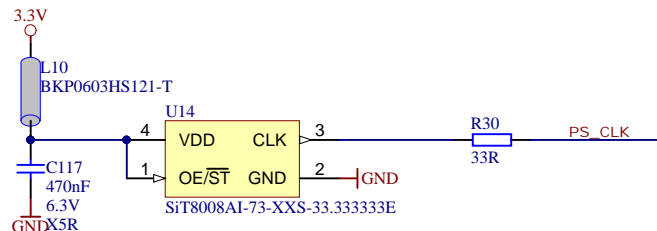
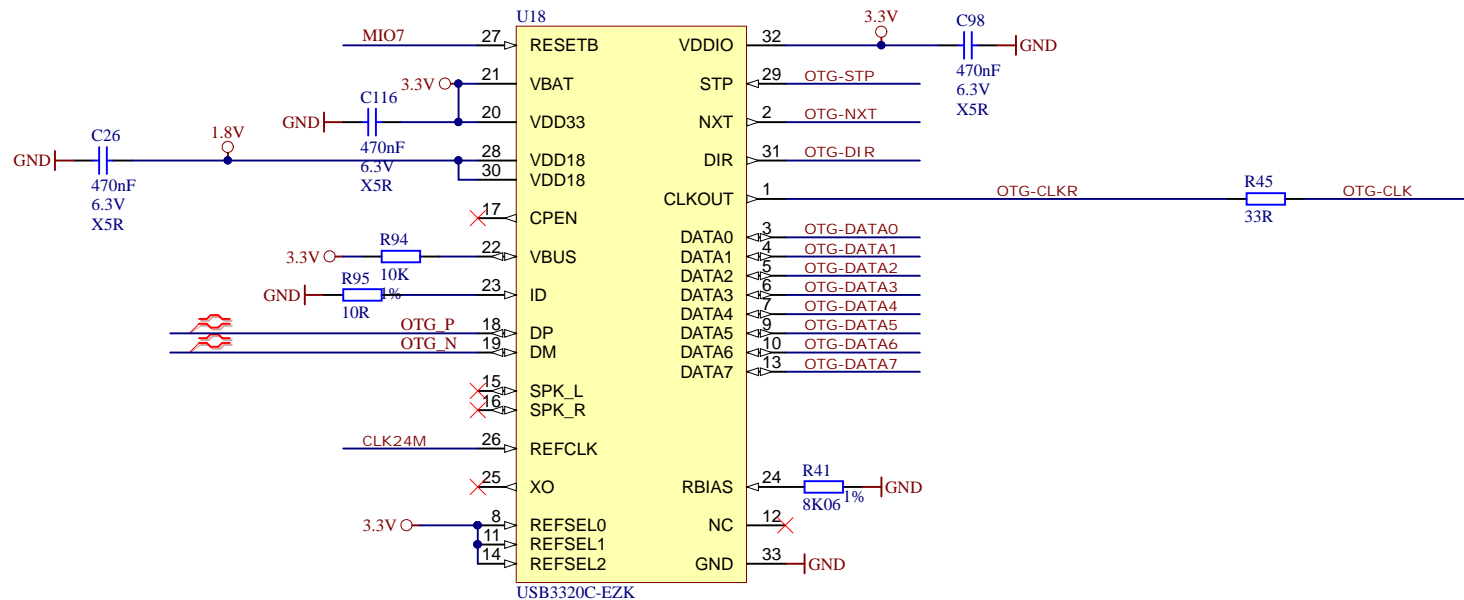
4

1

2

3

4



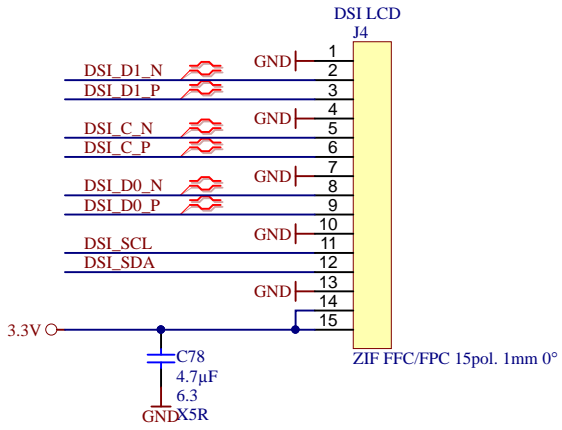
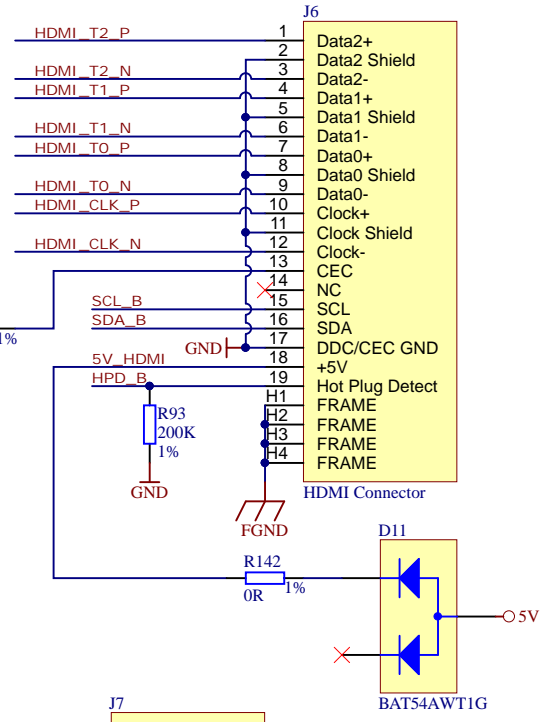
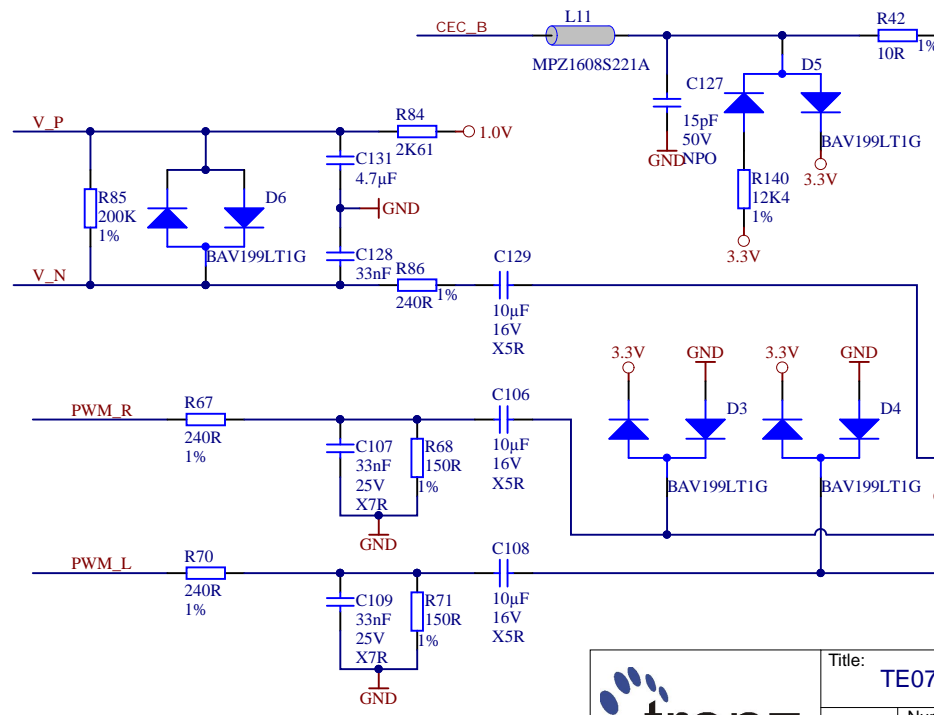
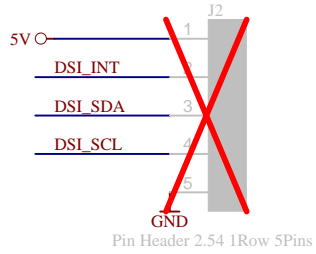
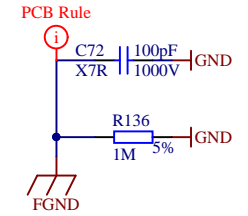
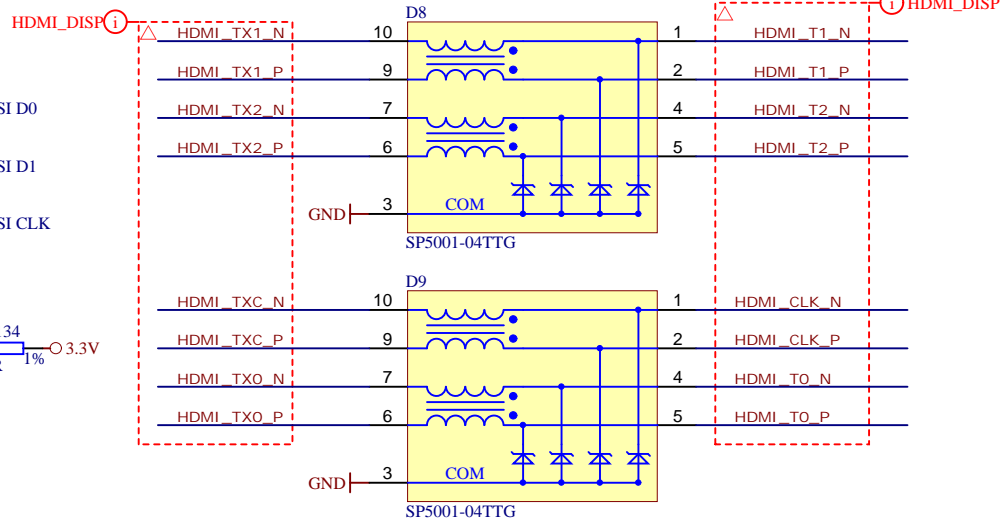
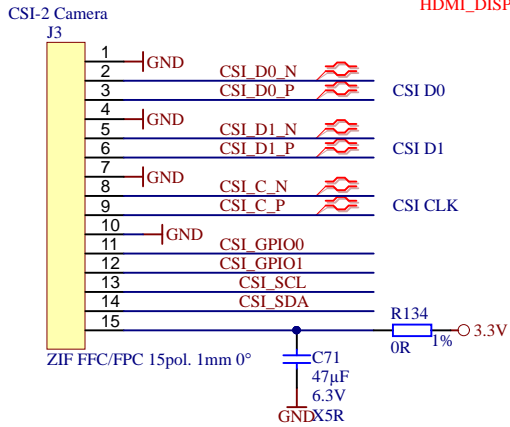
Title: TE0726 - USB		
A4	Number: TE0726 TE0726-03IM	Rev. 03
Date: 2016-05-06	Copyright: Trenz Electronic GmbH	Page 9 of 14
Filename: USB-PHY.SchDoc		

1

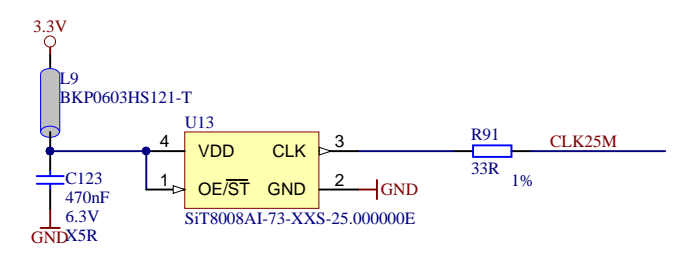
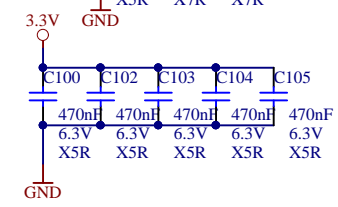
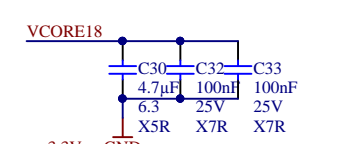
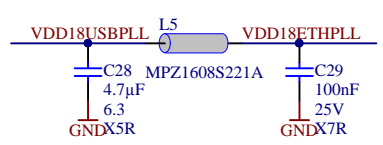
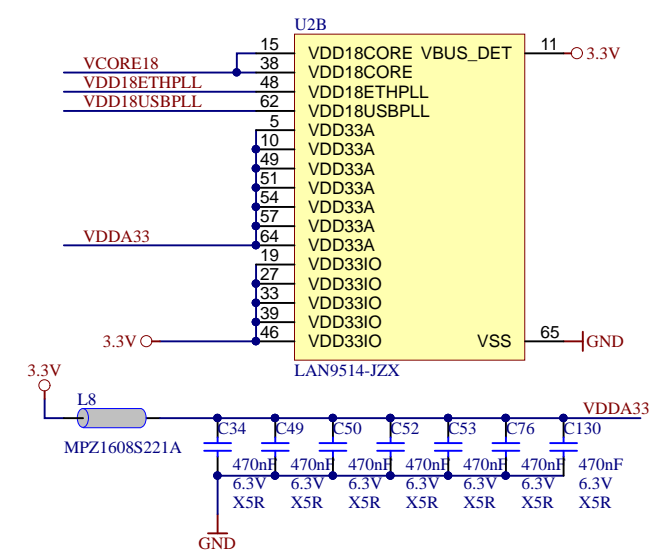
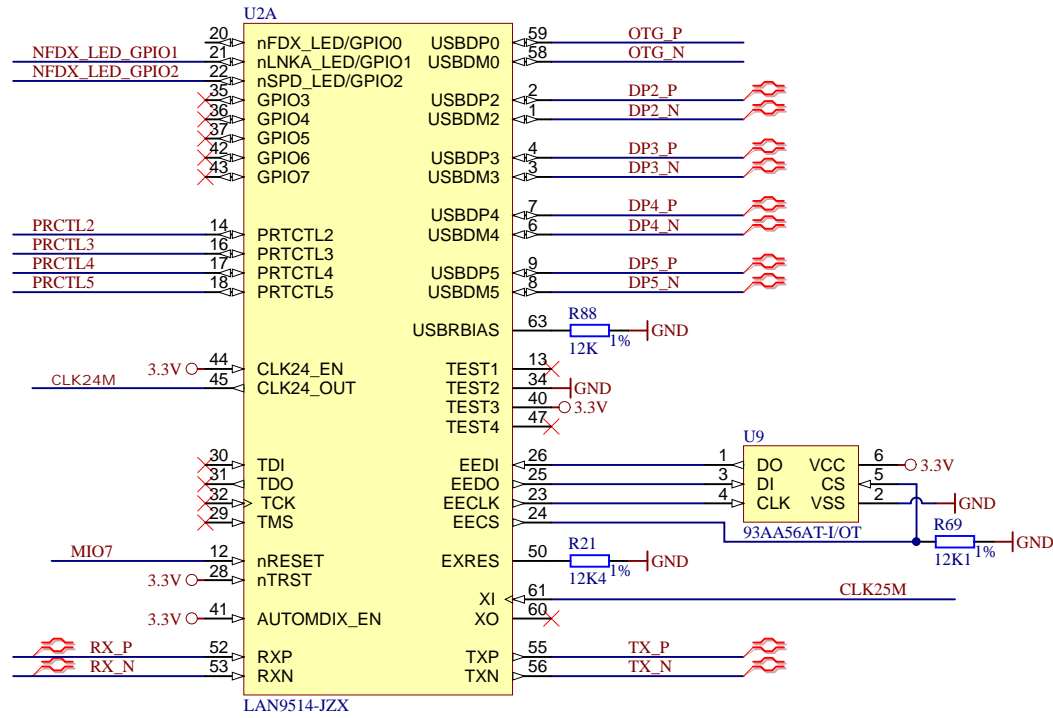
2

3

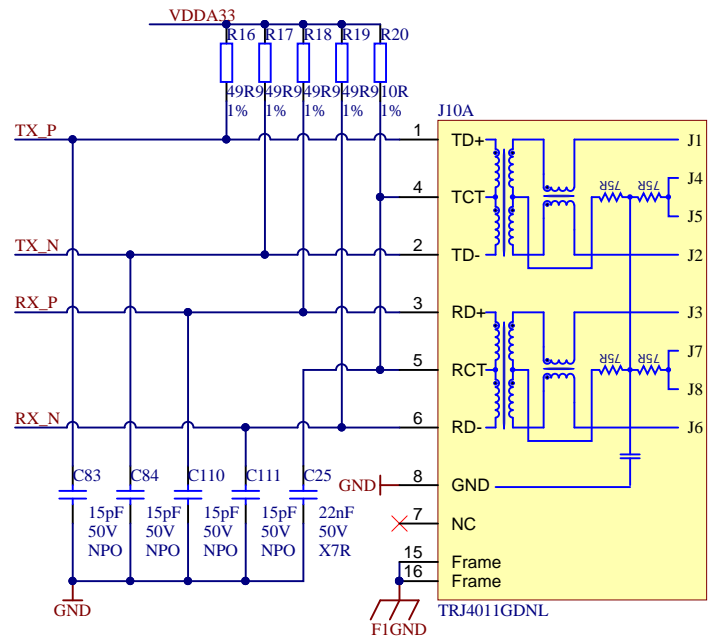
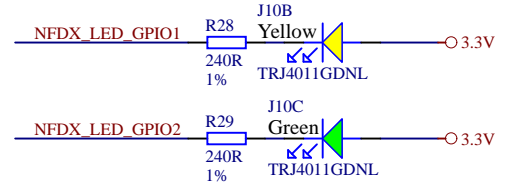
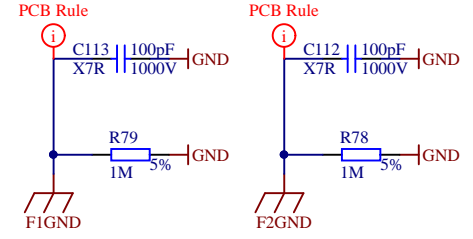
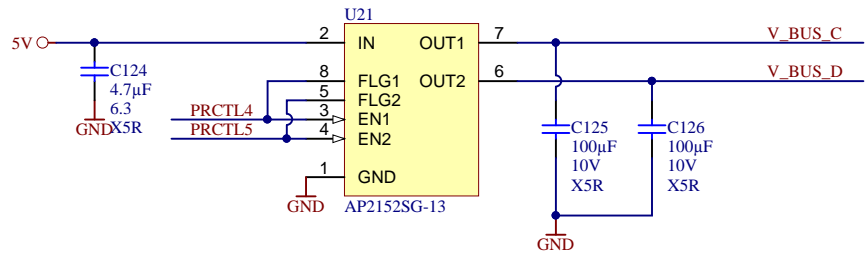
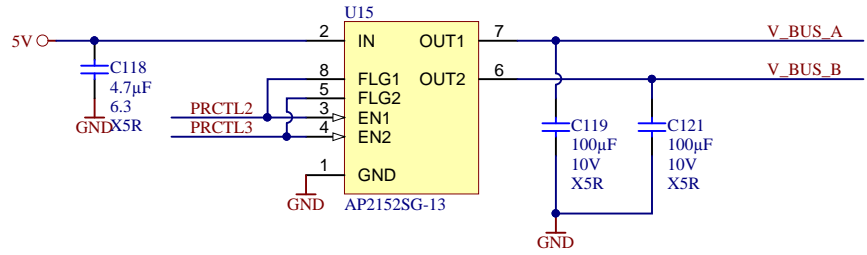
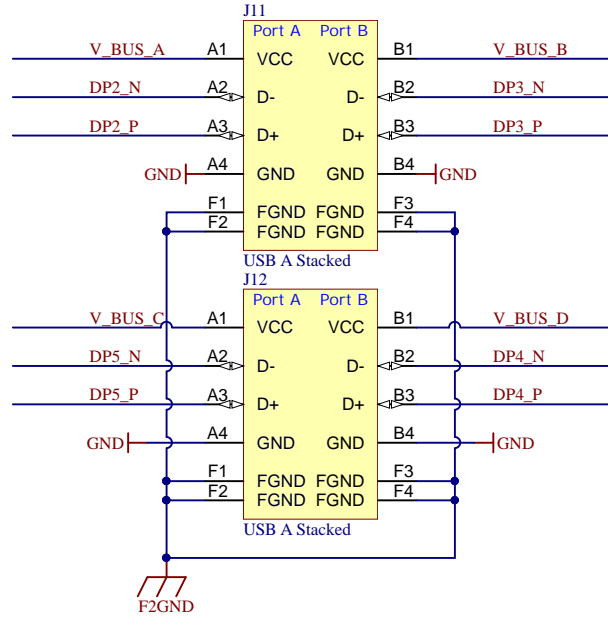
4



Title: TE0726 - Connectors		
A4	Number: TE0726 TE0726-03IM	Rev. 03
Date: 2016-05-06	Copyright: Trenz Electronic GmbH	Page 10 of 14
Filename: RPi-CAM-LCD.SchDoc		



		Title: TE0726 - Connectors	
		A4	Number: TE0726 TE0726-03IM
Date: 2016-05-06		Copyright: Trenz Electronic GmbH	
Filename: RPi-USB-HUB.SchDoc		Page 11 of 14	



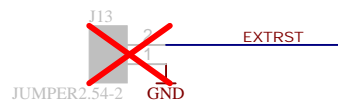
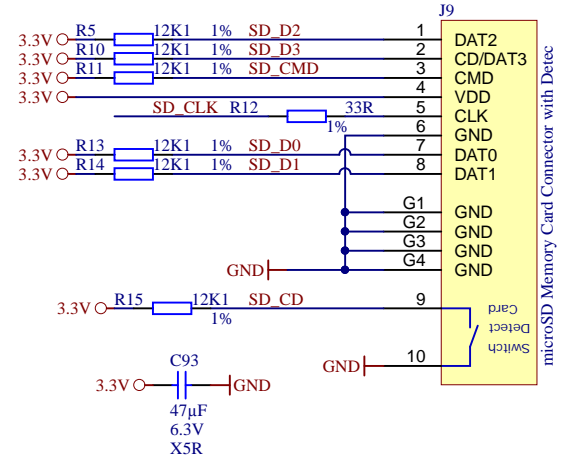
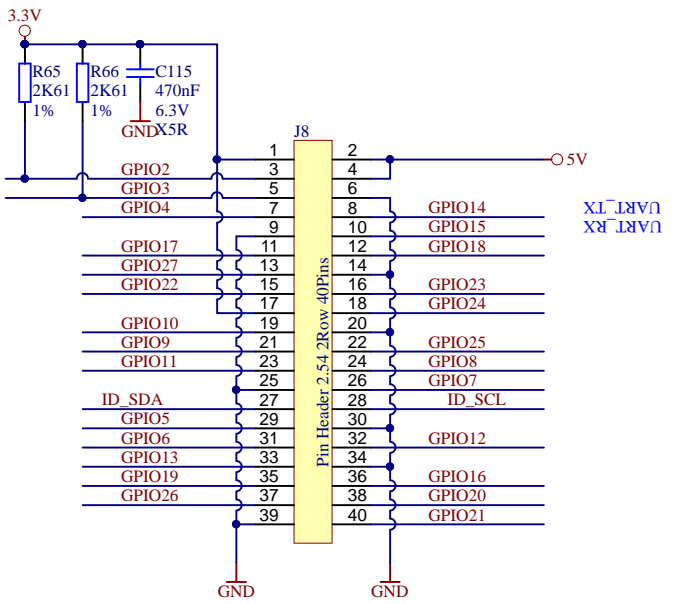
Title: TE0726 - USB ETHERNET		
A4	Number: TE0726 TE0726-03IM	Rev. 03
Date: 2016-05-06	Copyright: Trenz Electronic GmbH	Page 12 of 14
Filename: PRI-USB-ETH-CON.SchDoc		

1

2

3

4



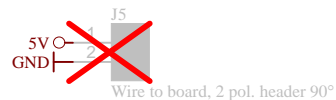
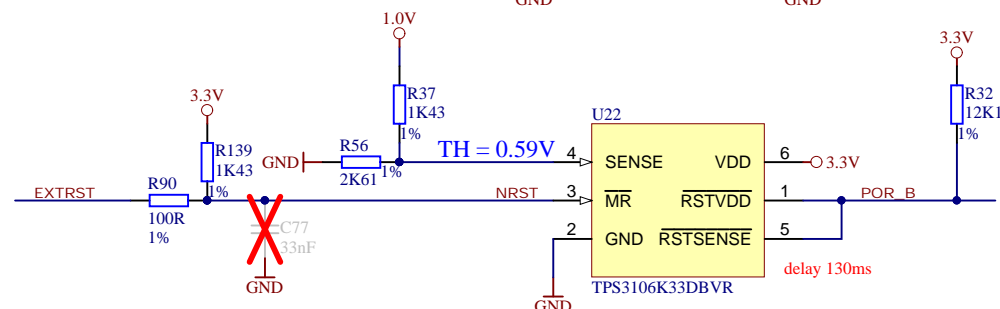
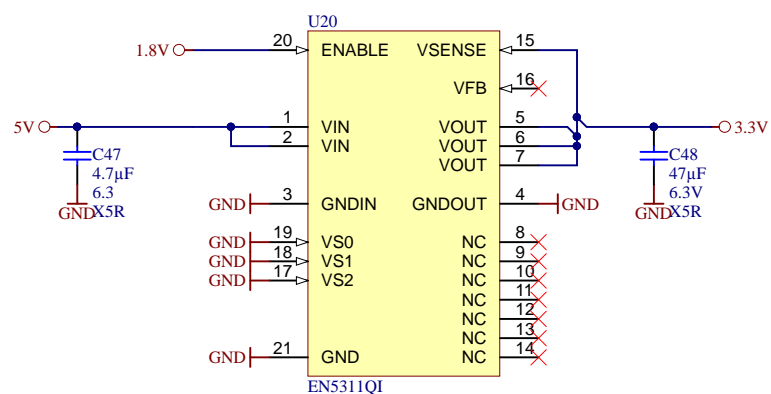
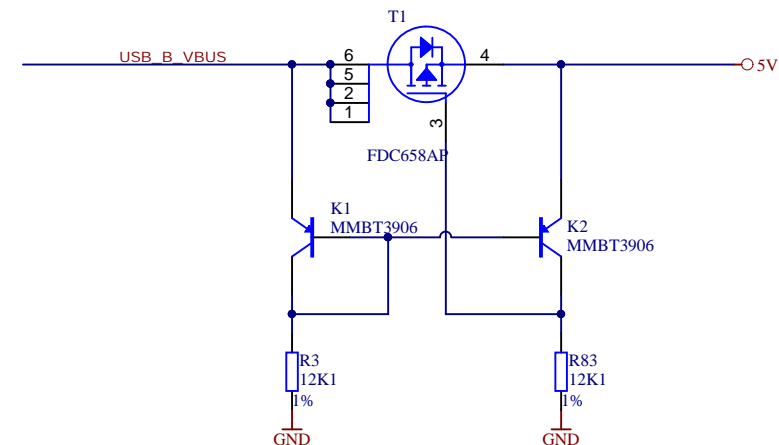
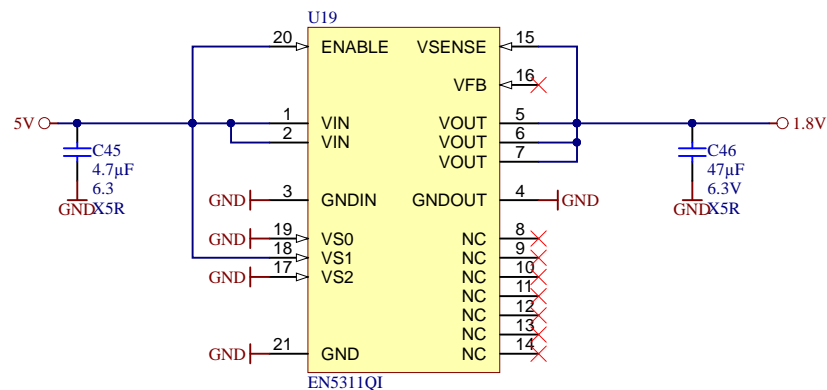
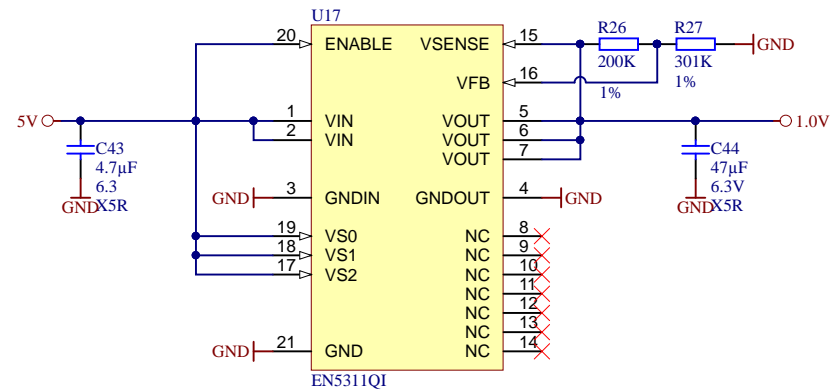
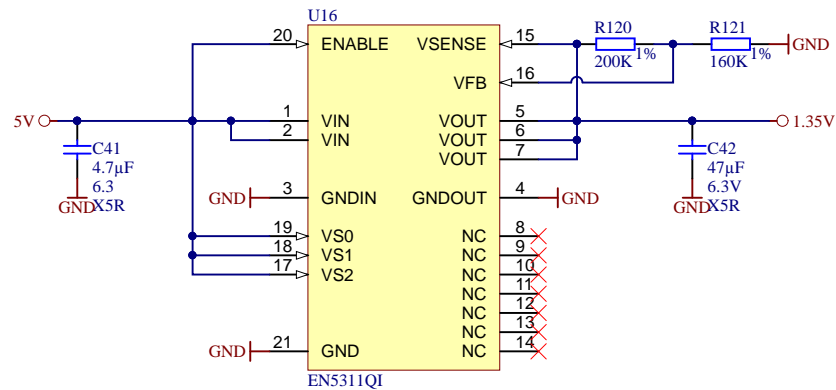
Title: TE0726 - Connectors		
A4	Number: TE0726 TE0726-03IM	Rev. 03
Date: 2016-05-06	Copyright: Trenz Electronic GmbH	Page13 of 14
Filename: RPi-Headers.SchDoc		

1

2

3

4



trenz electronic

Title: TE0726 - PowerSupply		
A4	Number: TE0726 TE0726-03IM	Rev. 03
Date: 2016-05-06	Copyright: Trenz Electronic GmbH	Page 14 of 14
Filename: PowerSupply.SchDoc		