

1

2

3

4

A

A

B

B

C

C


D

D

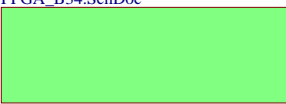
U\_RPi-Headers  
RPi-Headers.SchDoc



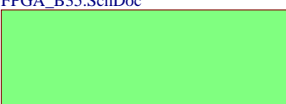
U\_SC  
SC.SchDoc



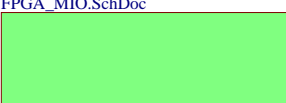
U\_FPGA\_B34  
FPGA\_B34.SchDoc



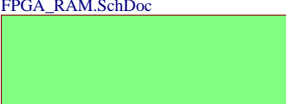
U\_FPGA\_B35  
FPGA\_B35.SchDoc



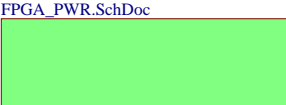
U\_FPGA\_MIO  
FPGA\_MIO.SchDoc




U\_FPGA\_RAM  
FPGA\_RAM.SchDoc




U\_FPGA\_PWR  
FPGA\_PWR.SchDoc



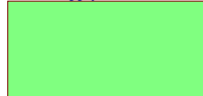
U\_DDR3-RAM  
DDR3-RAM.SchDoc




U\_USB-PHY  
USB-PHY.SchDoc




U\_PowerSupply  
PowerSupply.SchDoc



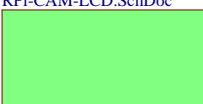
U\_FTDI  
FTDI.SchDoc



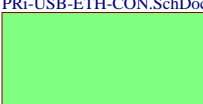
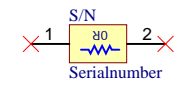
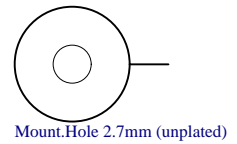
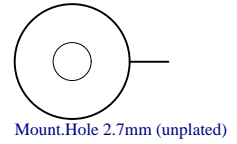
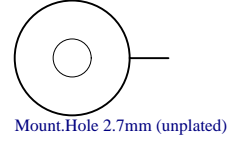
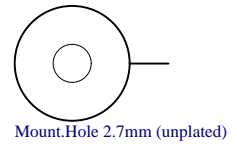
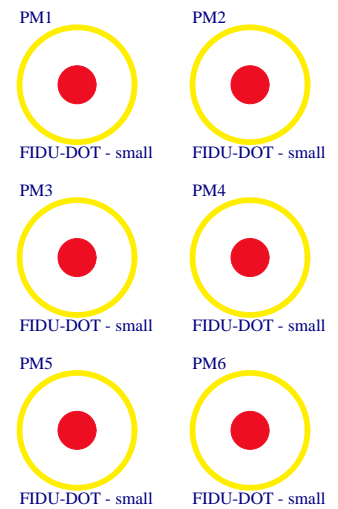
U\_RPI\_USB\_HUB  
RPi-USB-HUB.SchDoc



U\_RPI\_CAM\_LCD  
RPi-CAM-LCD.SchDoc



U\_RPI\_USB\_ETH\_CON  
RPi-USB-ETH-CON.SchDoc

LOGO1  
TE Logo PRINT Layer  
LOGO PRINT

Serial  
Serialnumber 6,3 x 6.3mm

Assembly variant	RJ
Created by	VY
Modified by	VY
Modified at	2020-02-03
SVN Revision	695



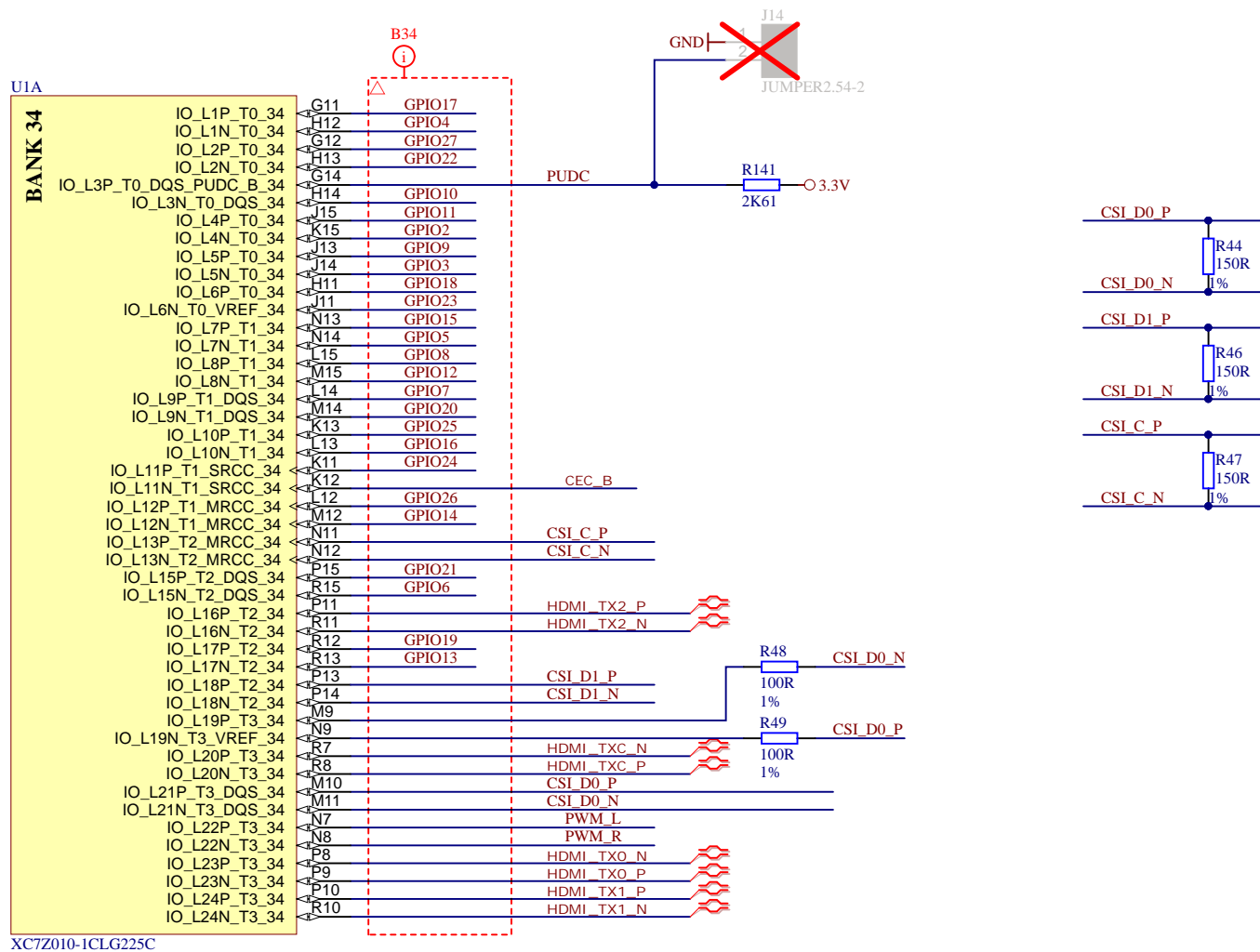
Title: TE0726		
A4	Number: TE0726 RJ	Rev. 03
Date: 2016-05-06	Copyright: Trenz Electronic GmbH	Page1 of 14
Filename: TE0726.SchDoc		

1

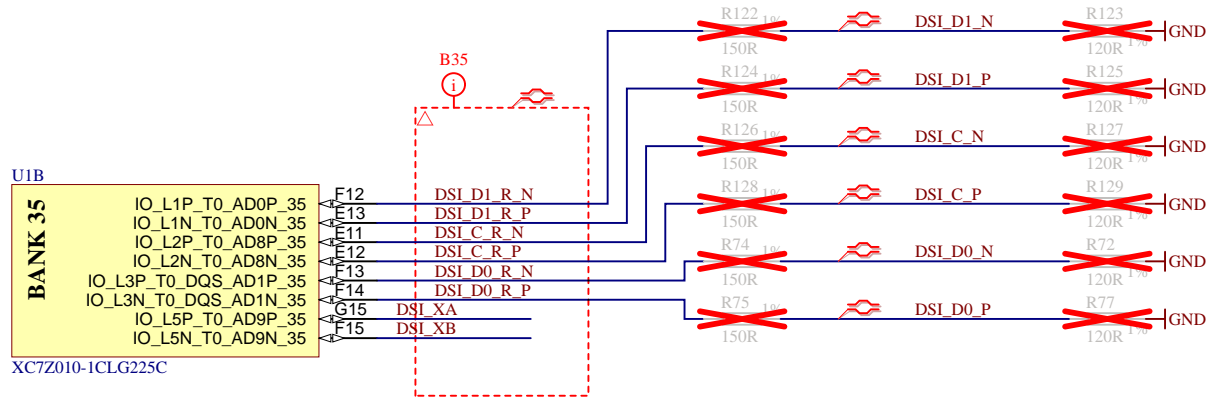
2


3

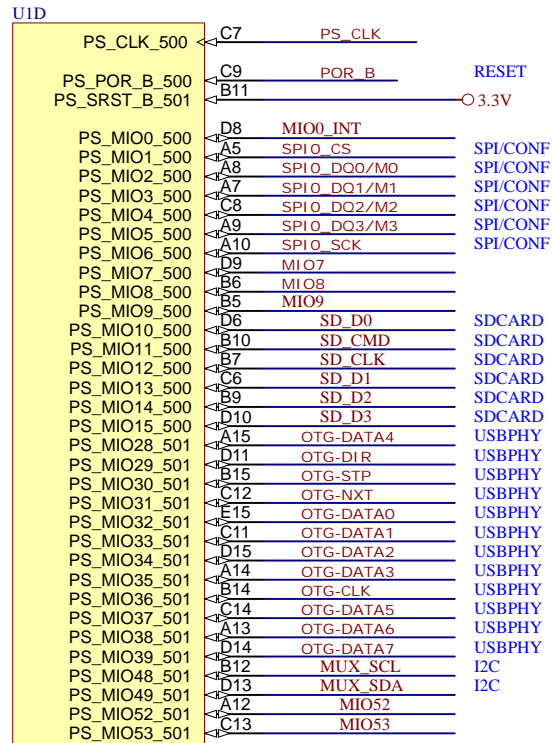
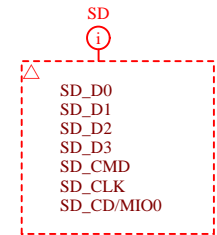
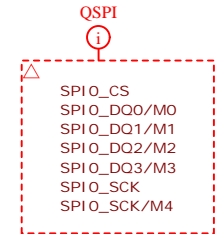
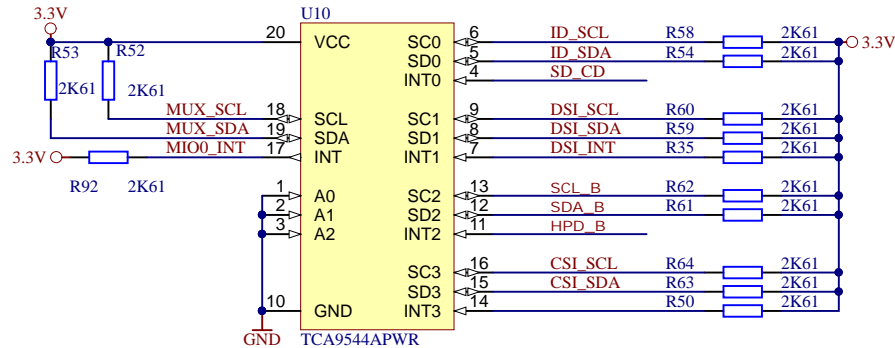
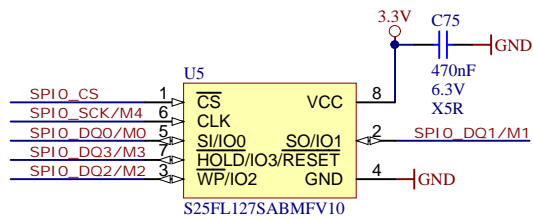
4



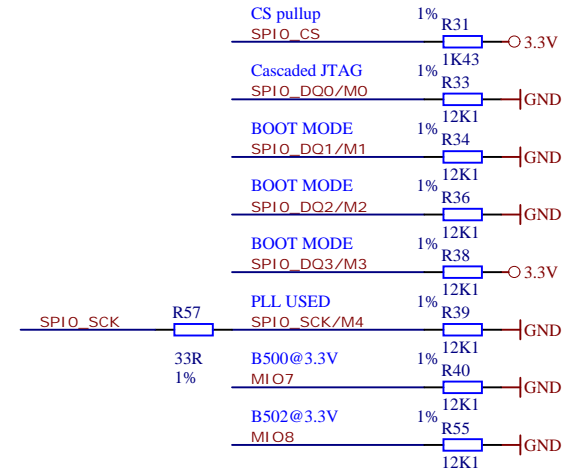
Title: TE0726 - FPGA B34		
A4	Number: TE0726 RJ	Rev. 03
Date: 2016-05-06	Copyright: Trenz Electronic GmbH	Page2 of 14
Filename: FPGA_B34.SchDoc		



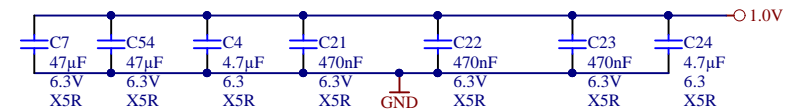
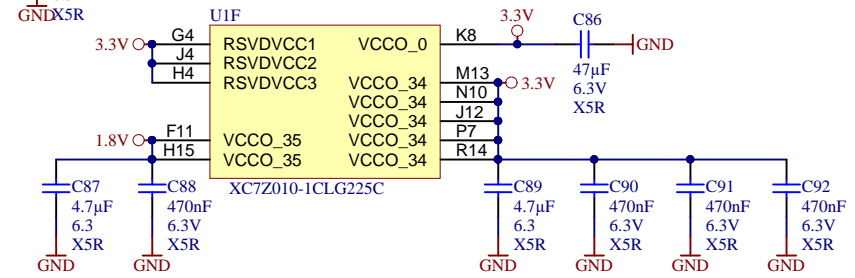
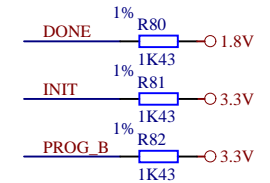
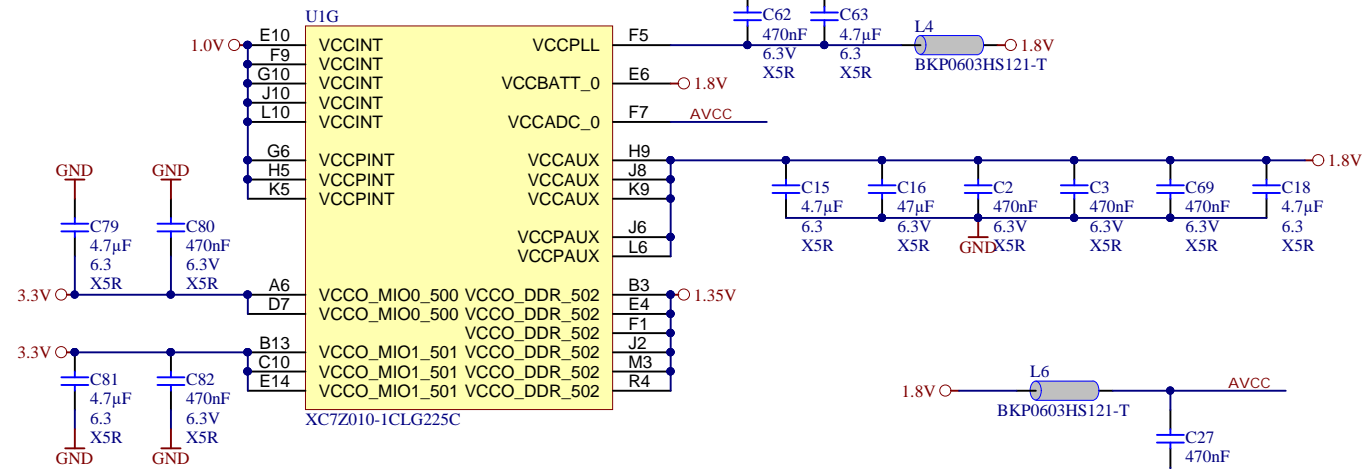
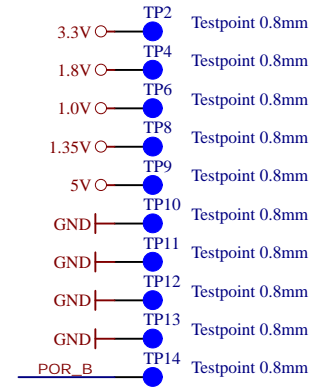
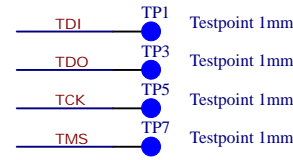
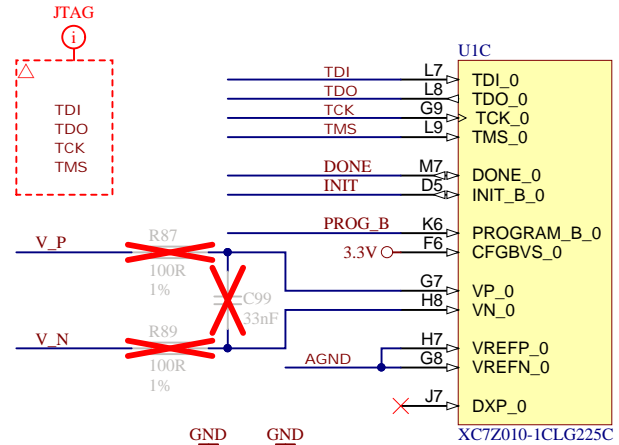
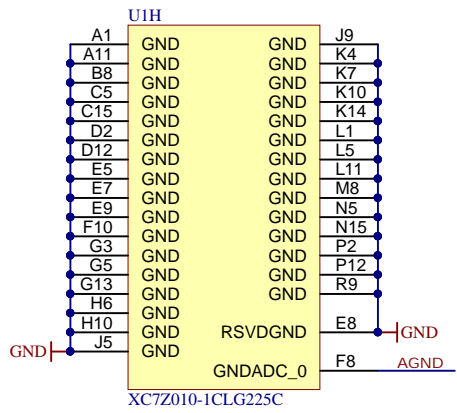
	Title: <b>TE0726 - FPGA B35</b>		
	A4	Number: <b>TE0726 RJ</b>	Rev. <b>03</b>
	Date: <b>2016-05-06</b>	Copyright: <b>Trenz Electronic GmbH</b>	Page <b>3</b> of <b>14</b>
	Filename: <b>FPGA_B35.SchDoc</b>		



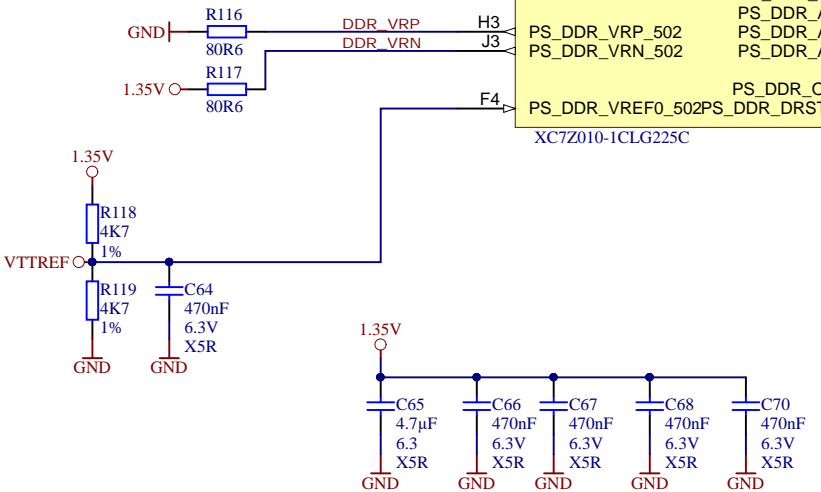
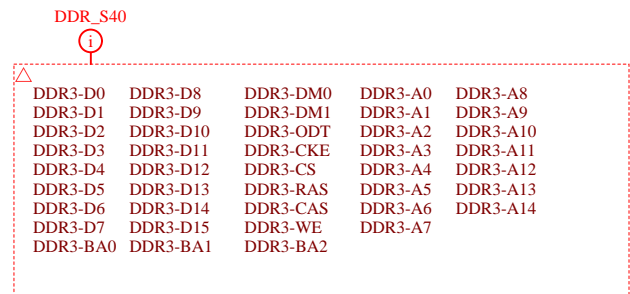
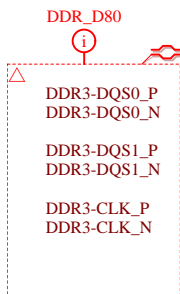
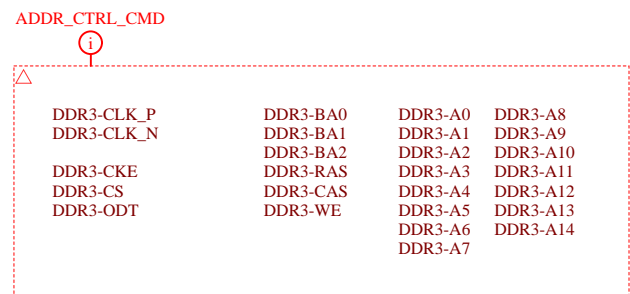
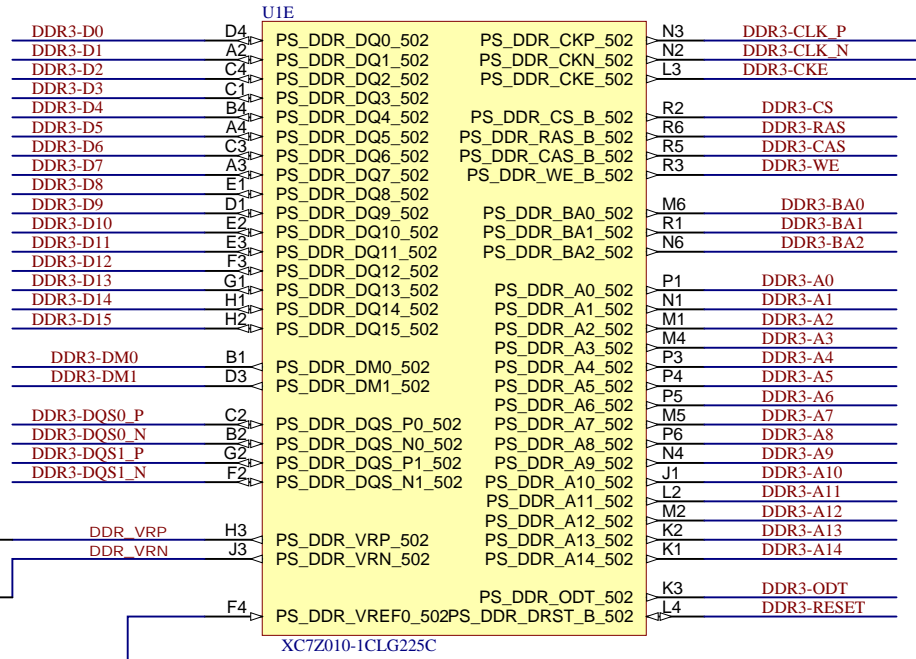
XC7Z010-1CLG225C



Title: TE0726 - FPGA MIO		
A4	Number: TE0726 RJ	Rev. 03
Date: 2016-05-06	Copyright: Trenz Electronic GmbH	Page4 of 14
Filename: FPGA_MIO.SchDoc		



Title: TE0726 - FPGA PWR		
A4	Number: TE0726 RJ	Rev. 03
Date: 2016-05-06	Copyright: Trenz Electronic GmbH	Page5 of 14
Filename: FPGA_PWR.SchDoc		



	Title: TE0726 - FPGA RAM		
	A4	Number: TE0726 RJ	Rev. 03
	Date: 2016-05-06	Copyright: Trenz Electronic GmbH	Page 6 of 14
	Filename: FPGA_RAM.SchDoc		

A

A

B

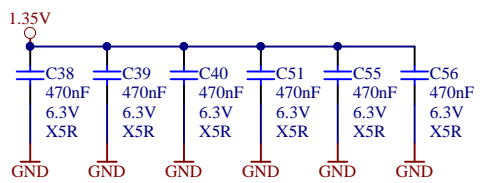
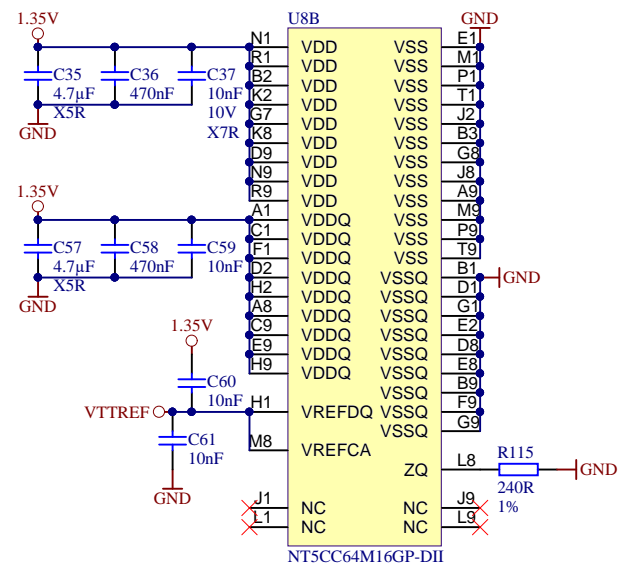
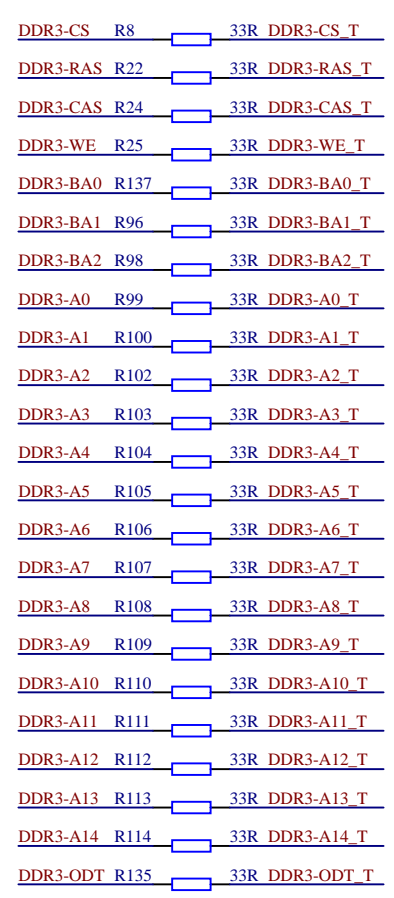
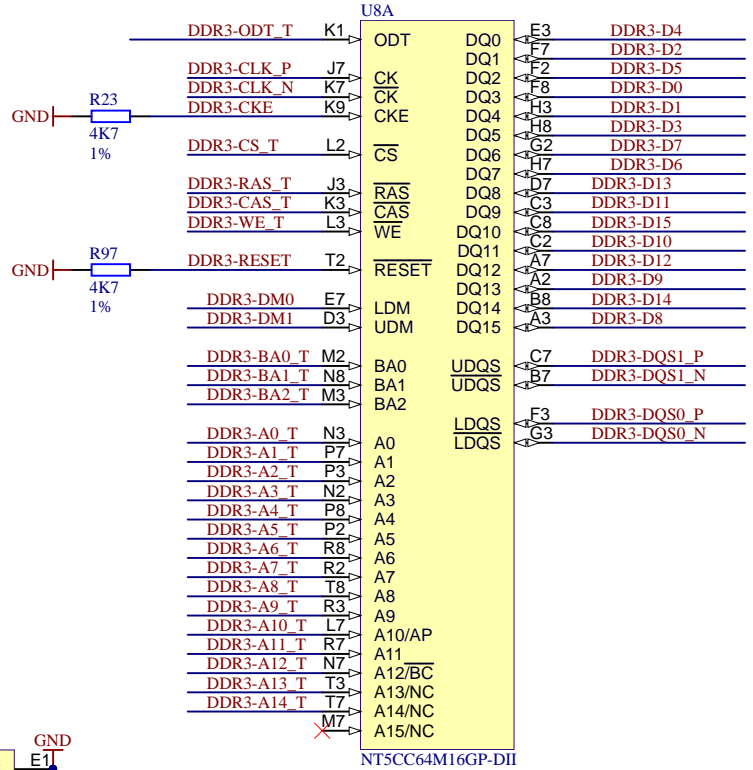
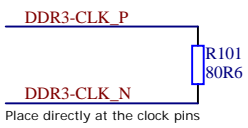
B

C

C

D

D



Title: TE0726 - DDR Memory		
A4	Number: TE0726 RJ	Rev. 03
Date: 2016-05-06	Copyright: Trenz Electronic GmbH	Page 7 of 14
Filename: DDR3-RAM.SchDoc		

1

2

3

4

A

A

B

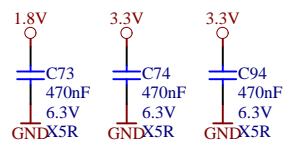
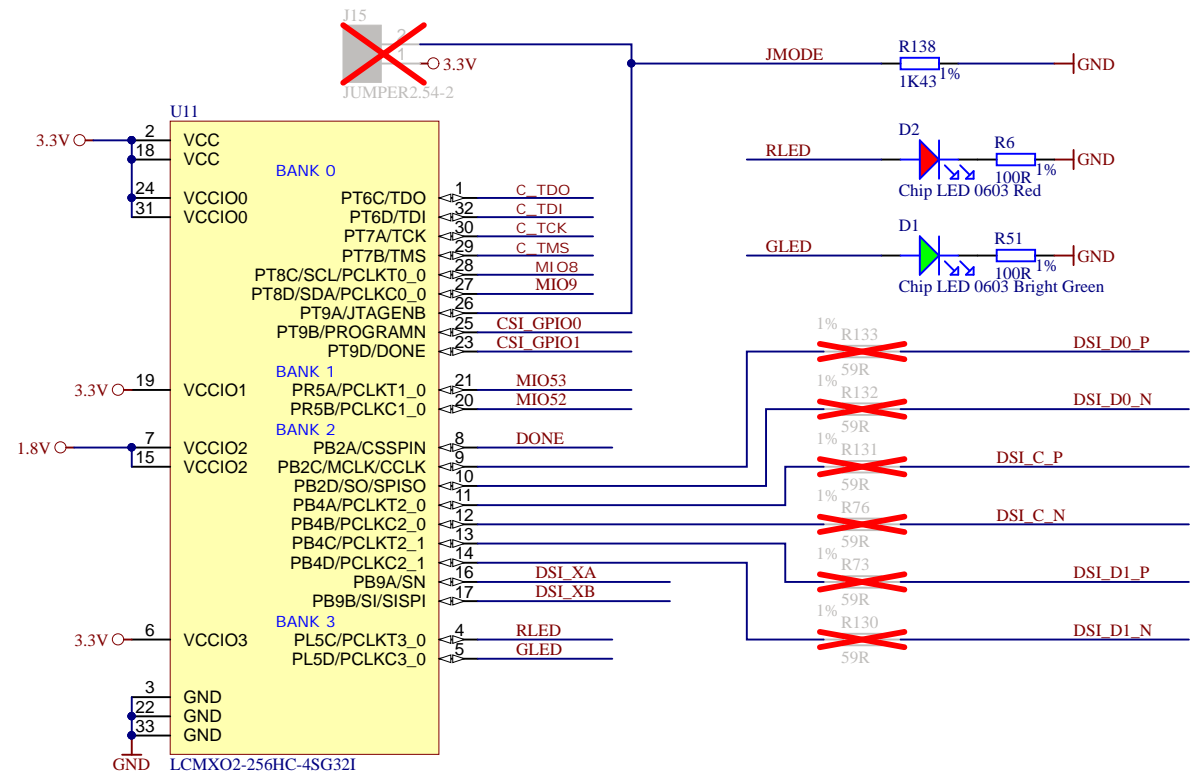
B

C

C

D

D



	Title: TE0726 - CPLD		
	A4	Number: TE0726 RJ	Rev. 03
	Date: 2016-05-06	Copyright: Trenz Electronic GmbH	Page 8 of 14
	Filename: SC.SchDoc		

1

2

3

4



1

2

3

4

A

A

B

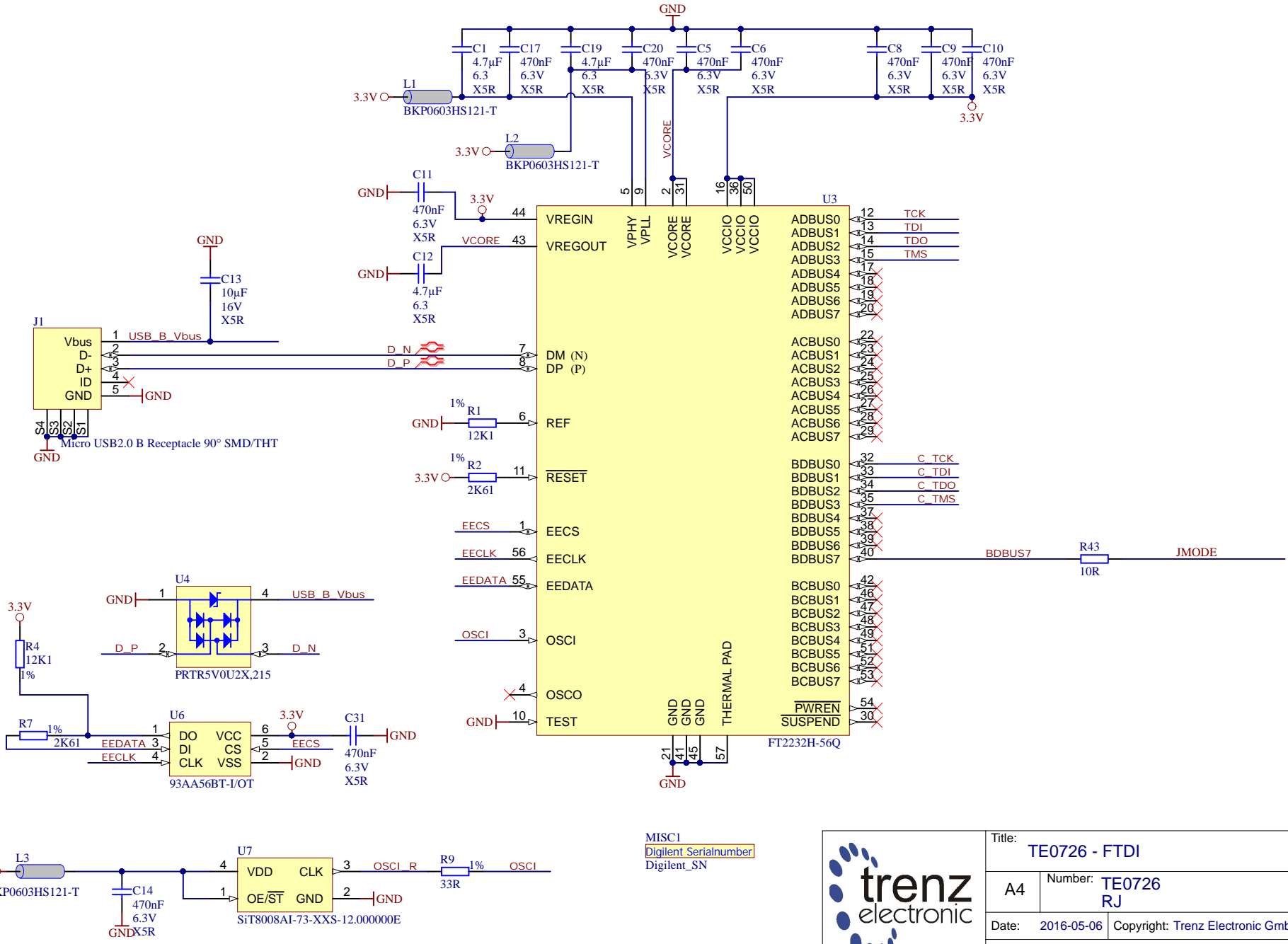
B

C

C

D

D



MISC1  
 Diligent Serialnumber  
 Diligent\_SN



Title: TE0726 - FTDI		
A4	Number: TE0726 RJ	Rev. 03
Date: 2016-05-06	Copyright: Trenz Electronic GmbH	Page8 of 14
Filename: FTDI.SchDoc		

1

2

3

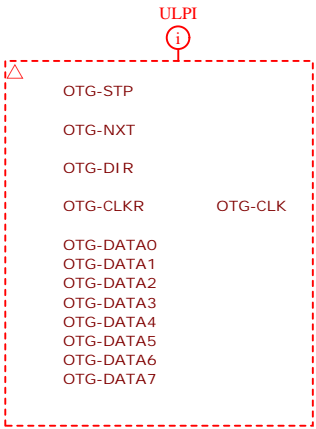
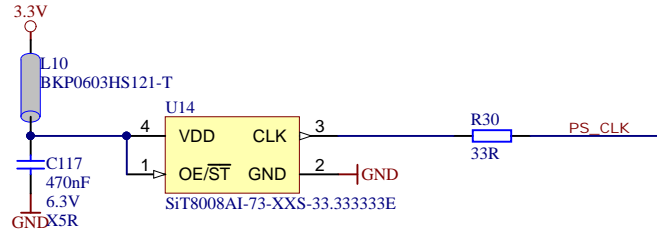
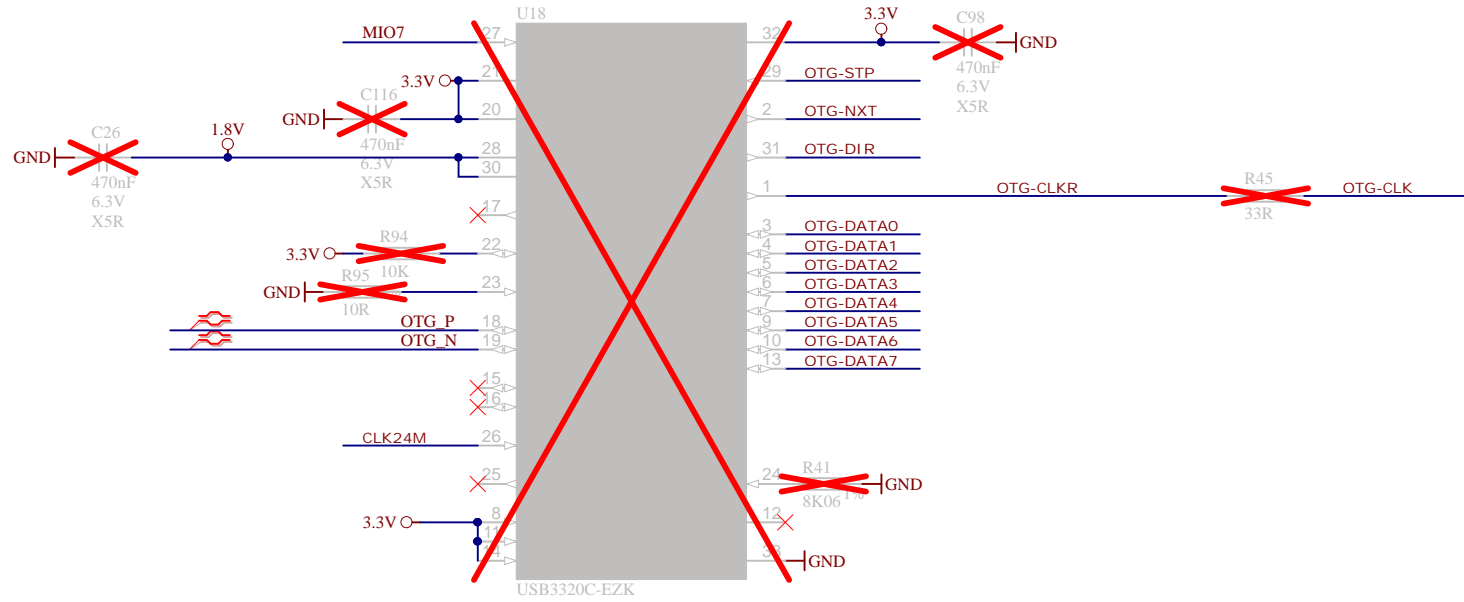
4

1

2

3

4



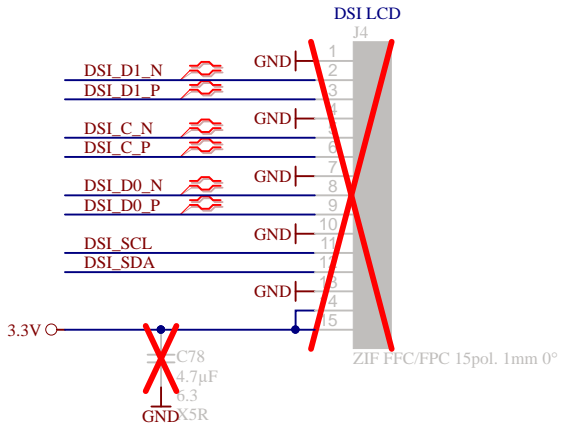
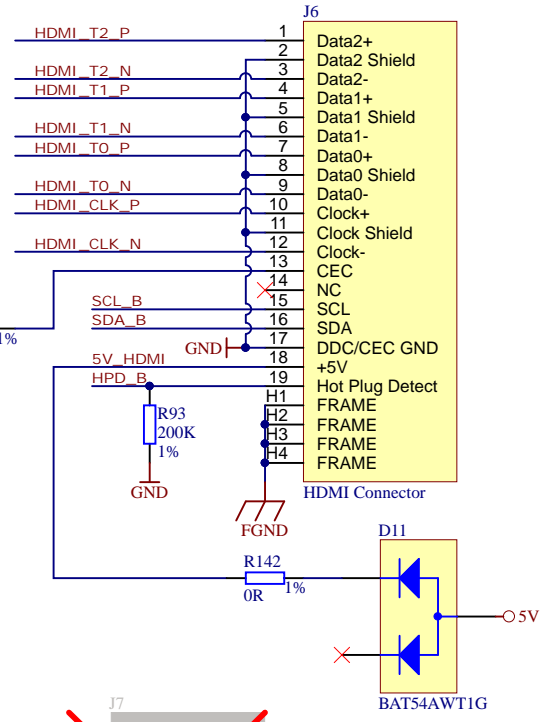
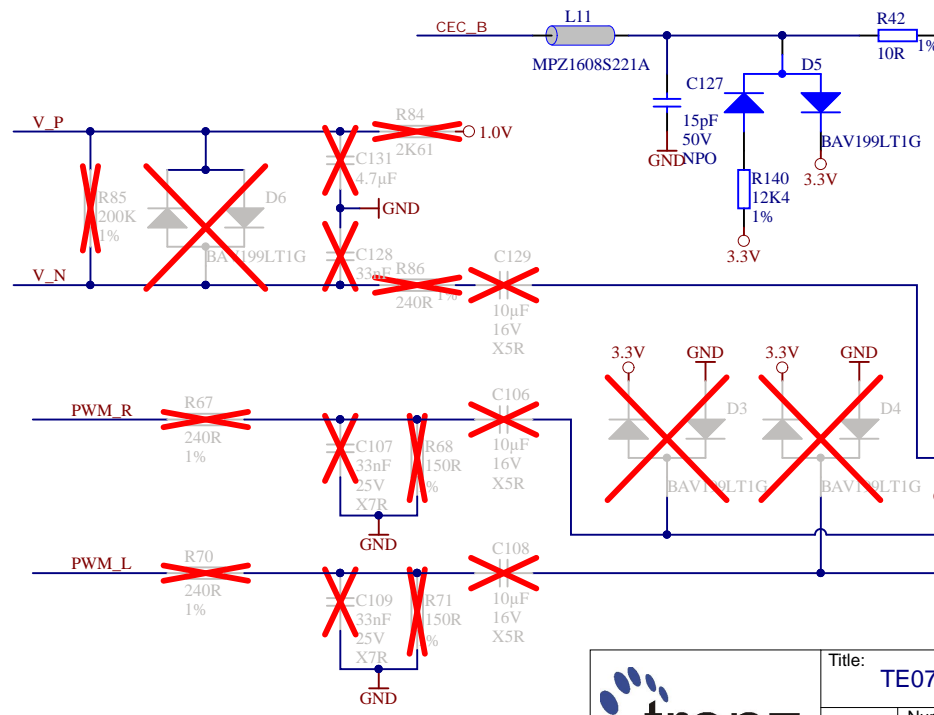
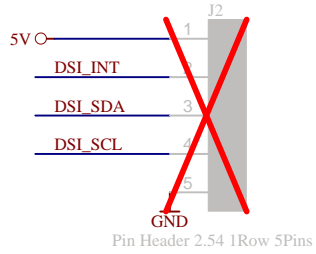
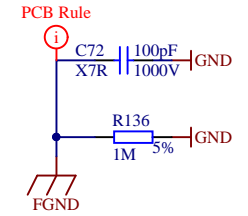
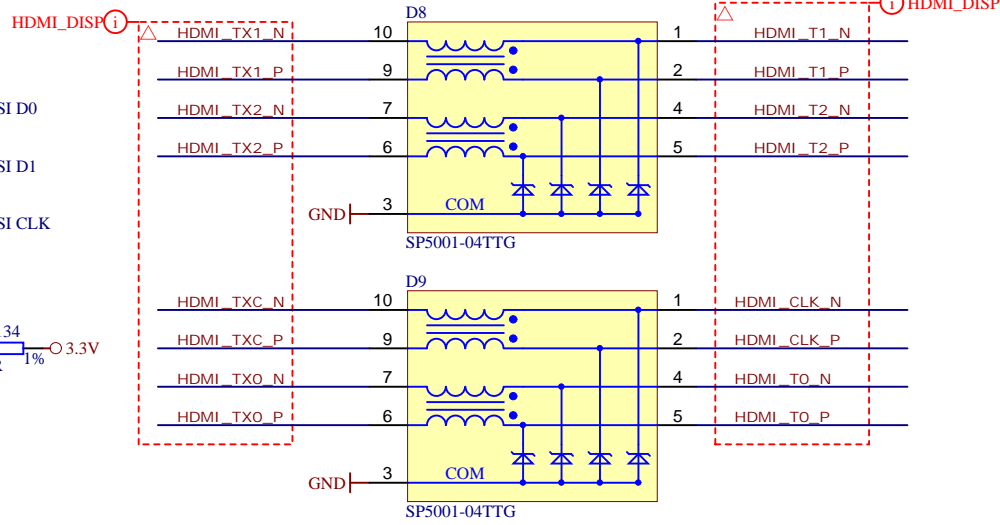
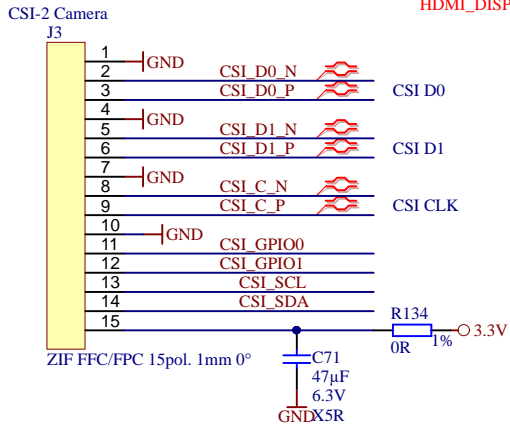
Title: <b>TE0726 - USB</b>		
A4	Number: <b>TE0726 RJ</b>	Rev. <b>03</b>
Date: <b>2016-05-06</b>	Copyright: <b>Trenz Electronic GmbH</b>	Page <b>9</b> of <b>14</b>
Filename: <b>USB-PHY.SchDoc</b>		

1

2

3

4



Title: <b>TE0726 - Connectors</b>		
A4	Number: <b>TE0726 RJ</b>	Rev. <b>03</b>
Date: 2016-05-06	Copyright: Trenz Electronic GmbH	Page 10 of 14
Filename: <b>RPi-CAM-LCD.SchDoc</b>		

1

2

3

4

A

A

B

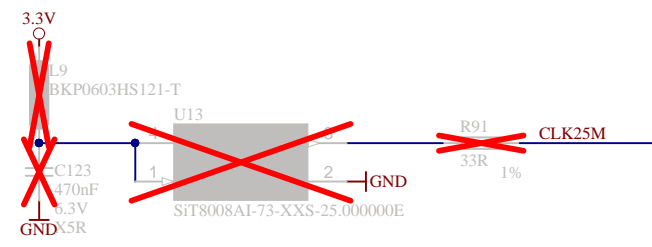
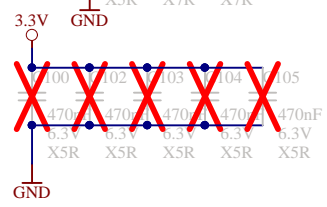
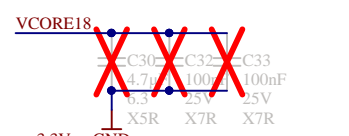
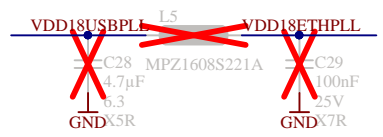
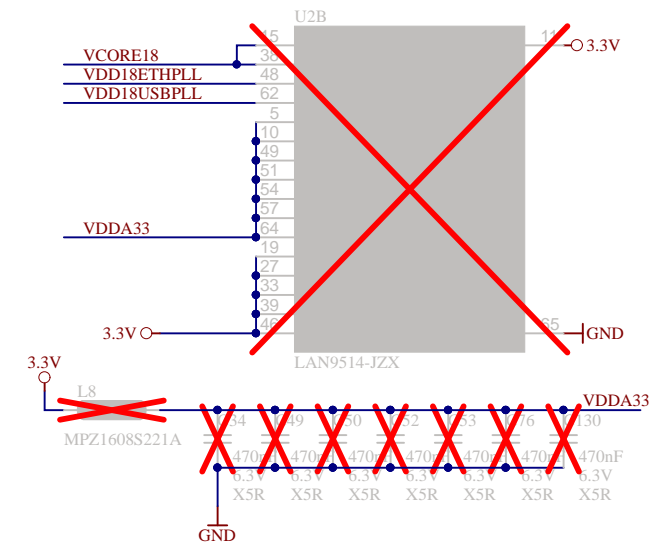
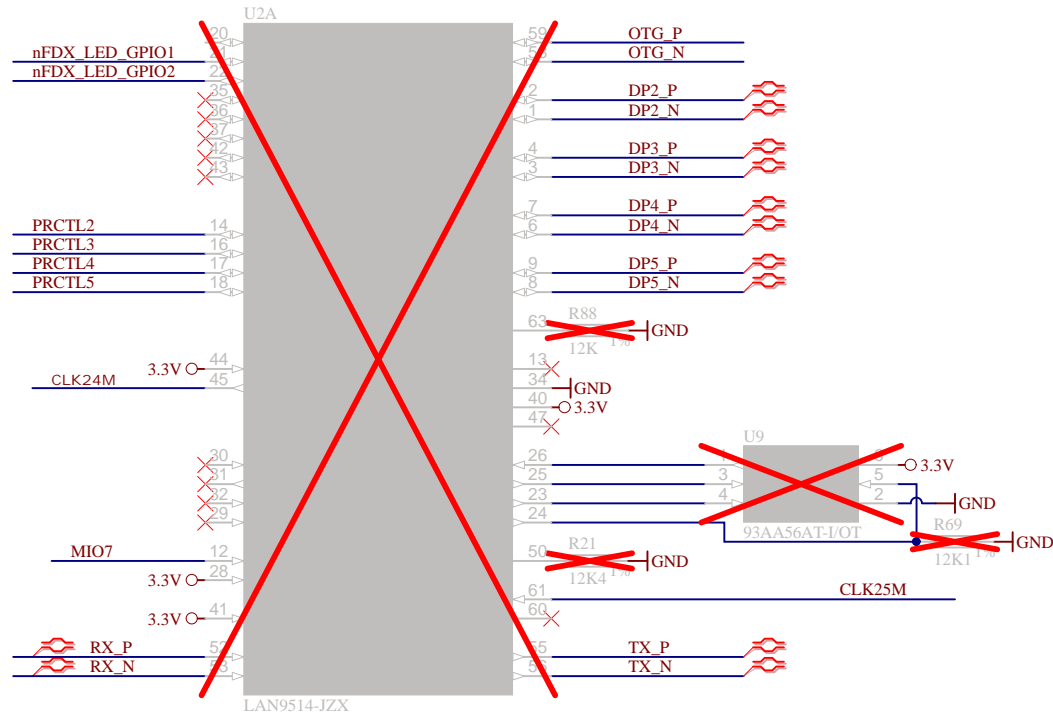
B

C

C

D

D



	Title: <b>TE0726 - Connectors</b>		
	A4	Number: <b>TE0726 RJ</b>	Rev. <b>03</b>
	Date: <b>2016-05-06</b>	Copyright: <b>Trenz Electronic GmbH</b>	Page <b>11</b> of <b>14</b>
	Filename: <b>RPi-USB-HUB.SchDoc</b>		

1

2

3

4

1

2

3

4

A

A

B

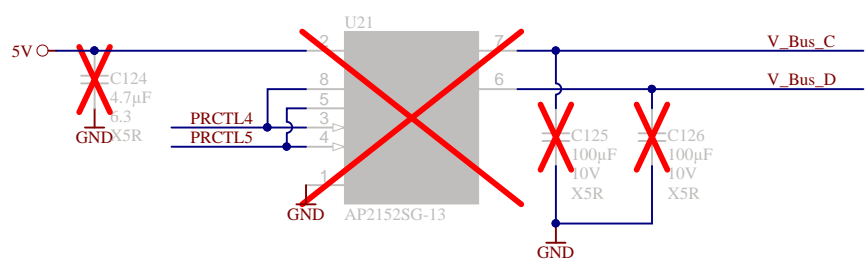
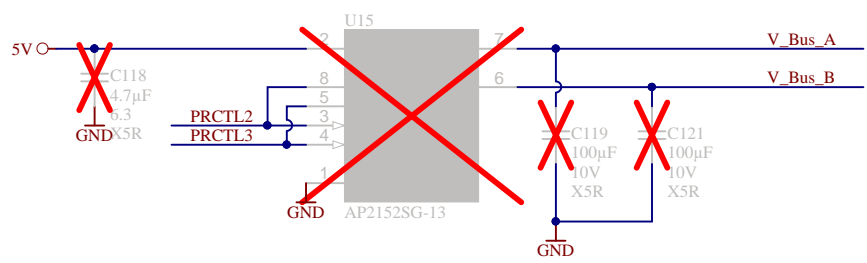
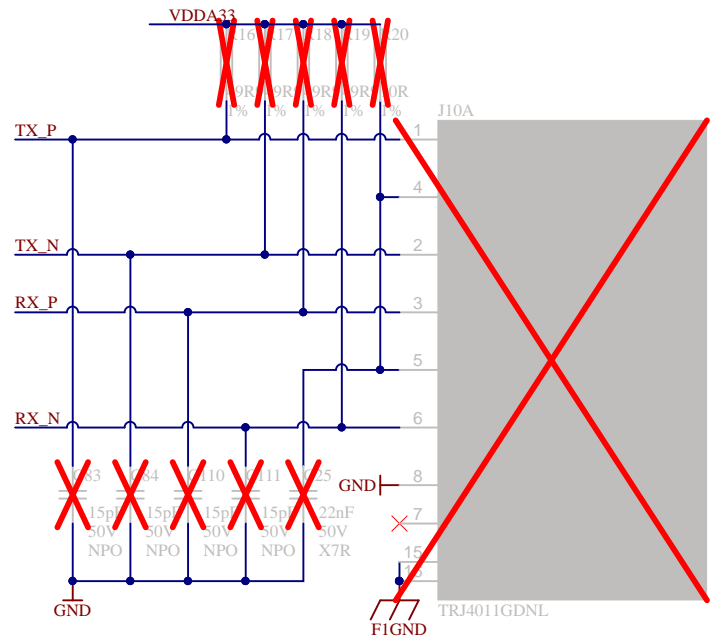
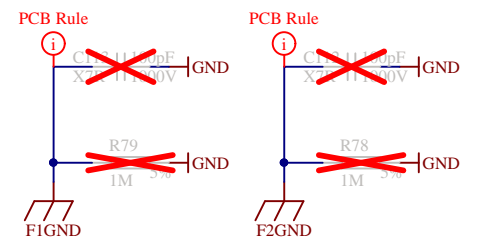
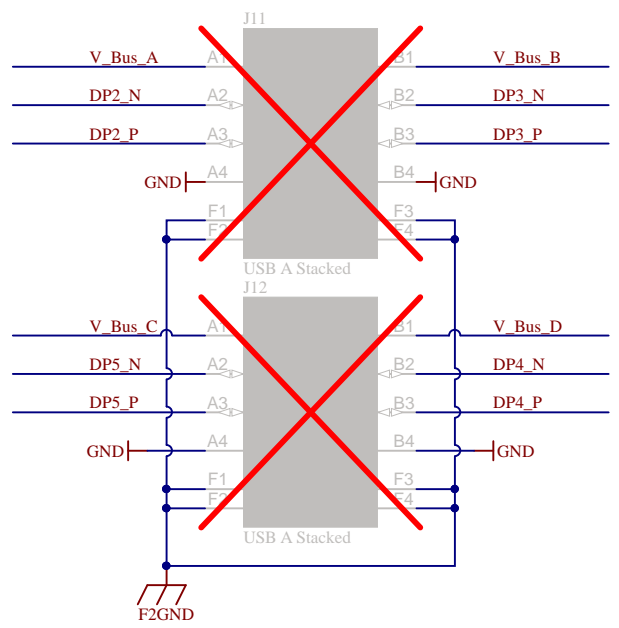
B


C

C

D

D



			Title: TE0726 - USB ETHERNET	
			A4	Number: TE0726 RJ
Date: 2016-05-06		Copyright: Trenz Electronic GmbH		Page 12 of 14
Filename: PRI-USB-ETH-CON.SchDoc				

1

2

3

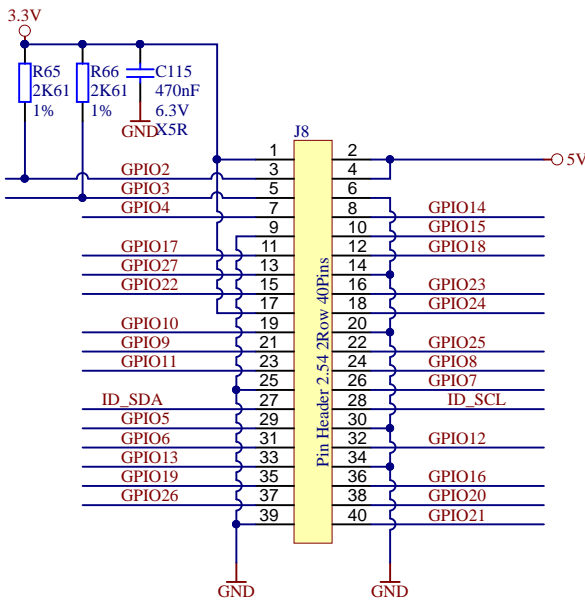
4

1

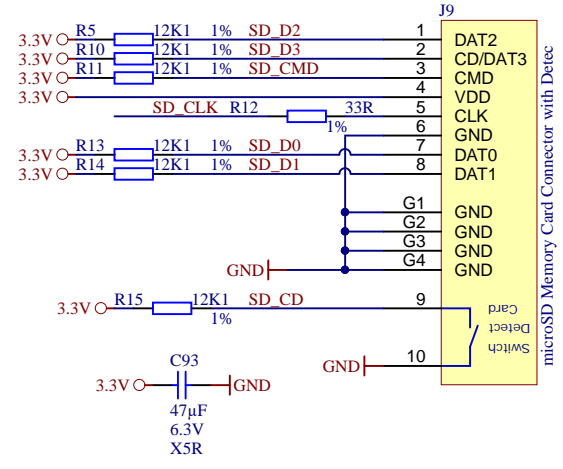
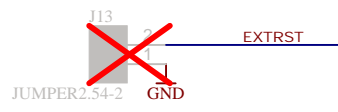
2

3

4



UART\_RX  
UART\_TX



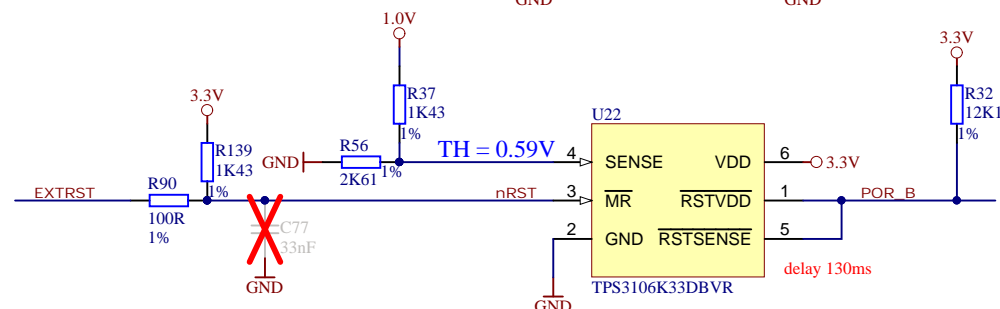
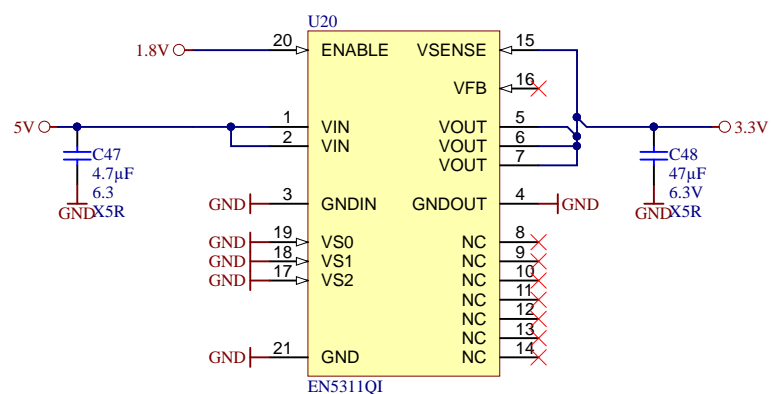
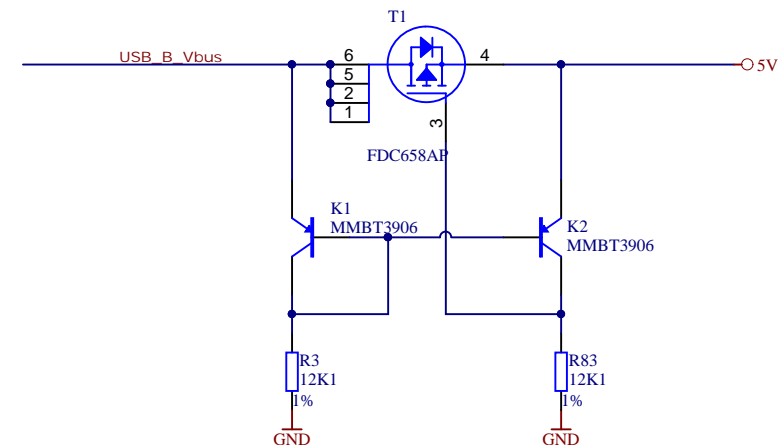
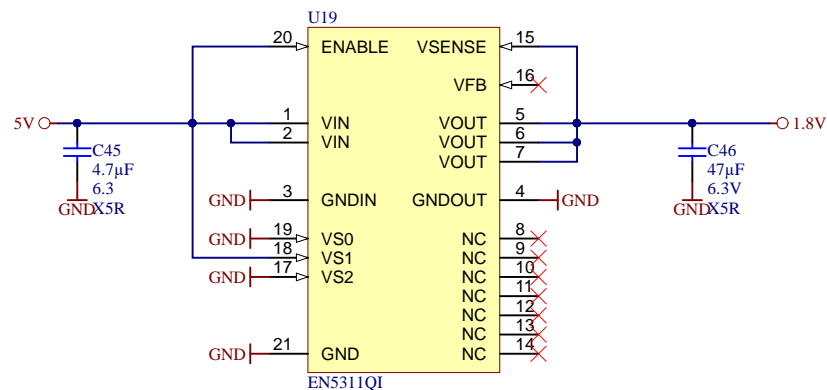
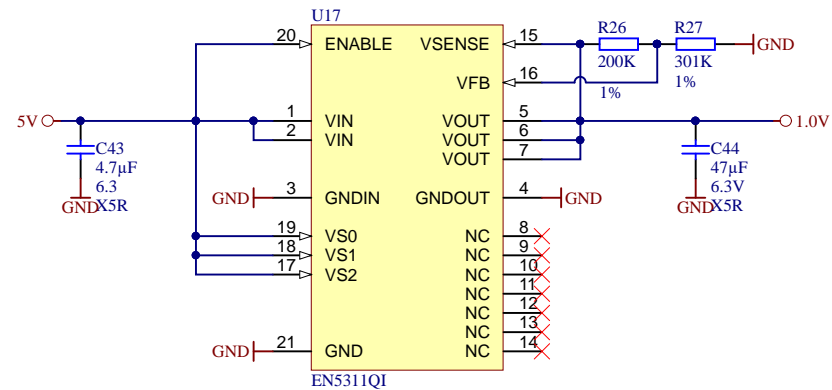
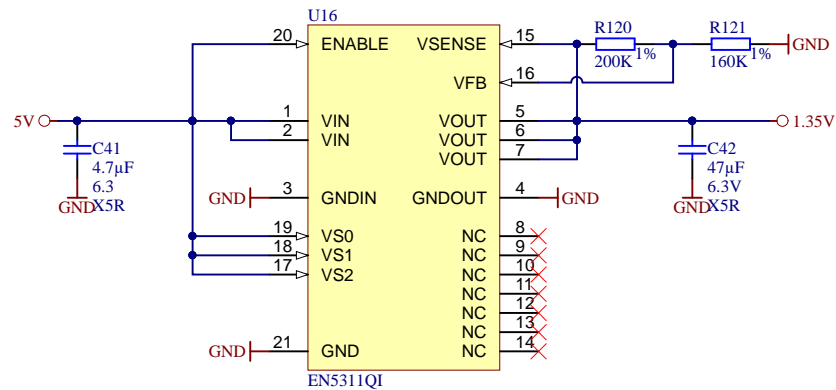
Title: TE0726 - Connectors		
A4	Number: TE0726 RJ	Rev. 03
Date: 2016-05-06	Copyright: Trenz Electronic GmbH	Page13 of 14
Filename: RPi-Headers.SchDoc		

1

2

3

4



trenz electronic

Title: TE0726 - PowerSupply		
A4	Number: TE0726 RJ	Rev. 03
Date: 2016-05-06	Copyright: Trenz Electronic GmbH	Page 14 of 14
Filename: PowerSupply.SchDoc		