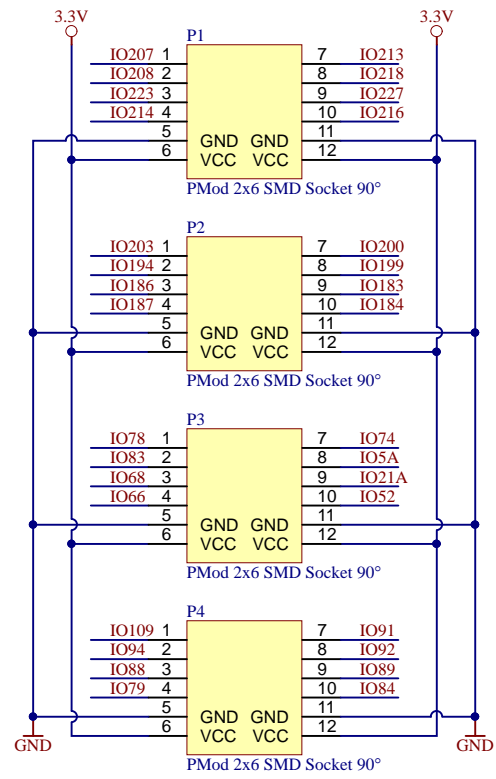

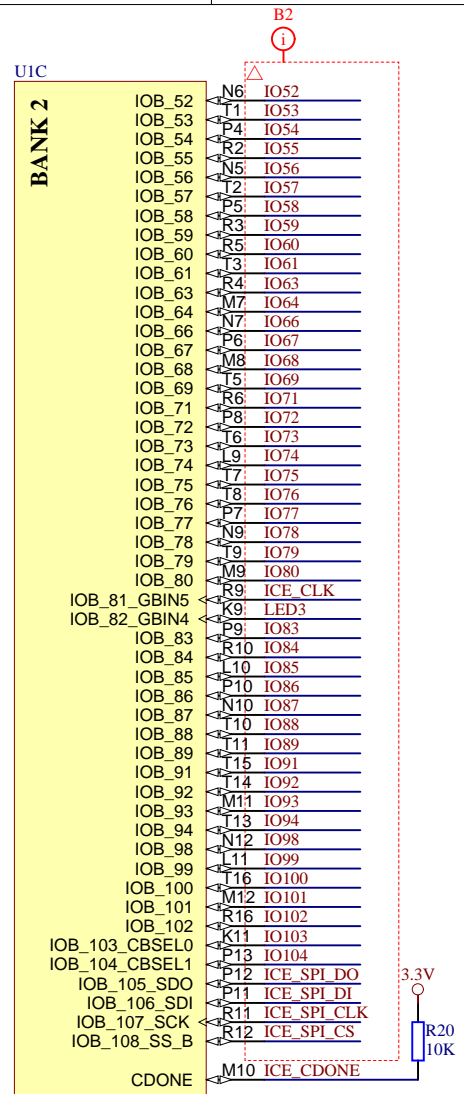
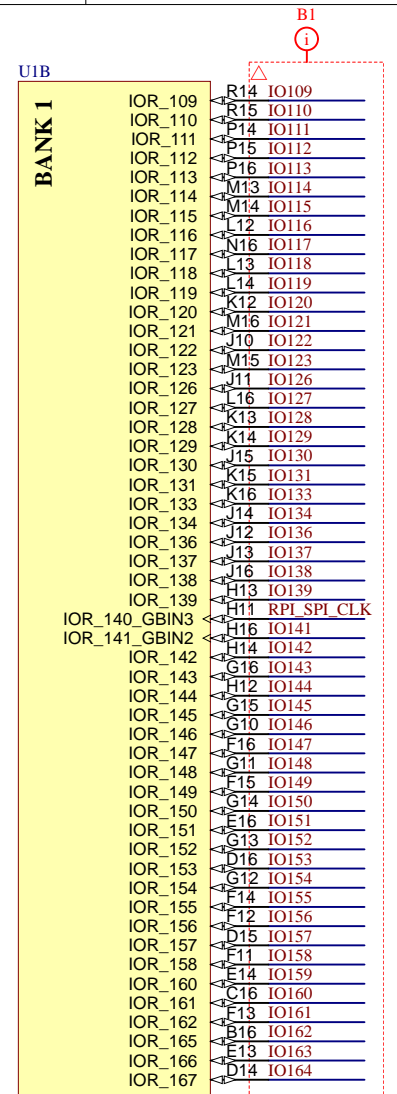
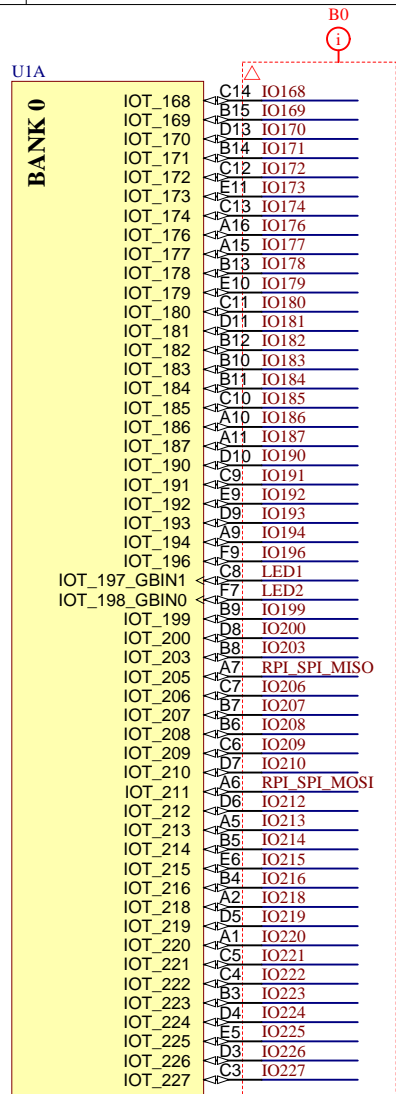
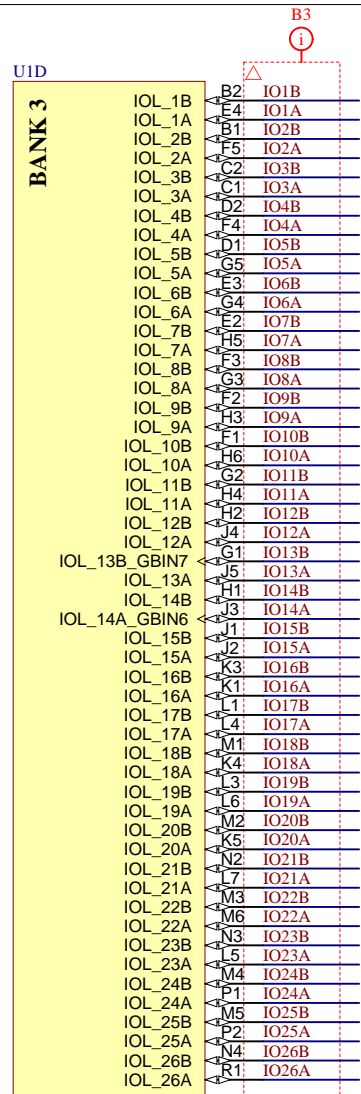


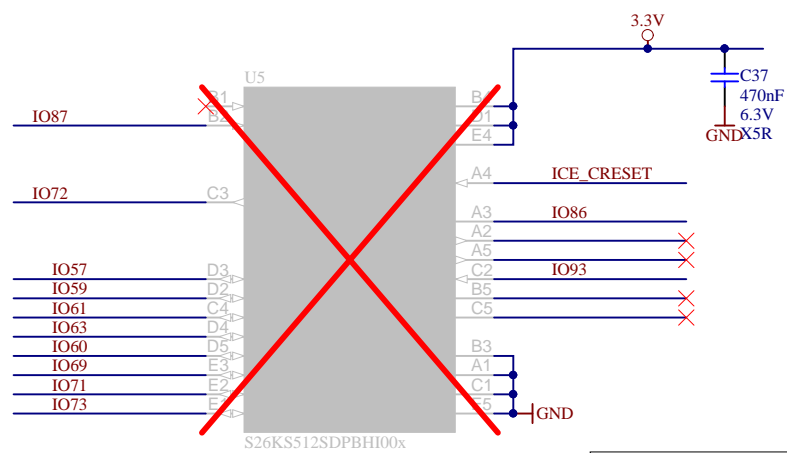
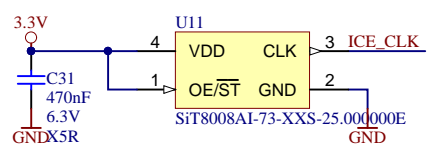
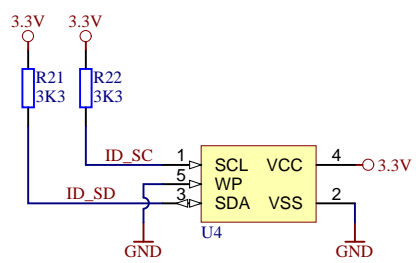
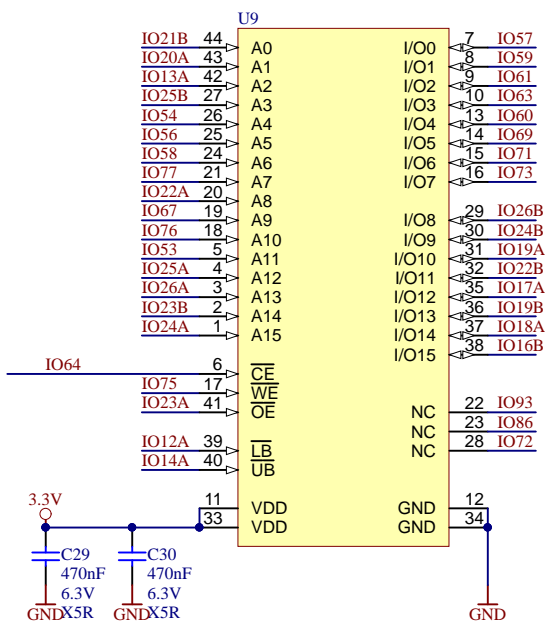
Title: TE0887		
A4	Number: TE0887 DEFAULT	Rev. 02
Date: 2016-06-01	Copyright: Trenz Electronic GmbH	Page1 of 6
Filename: TE0887.SchDoc		



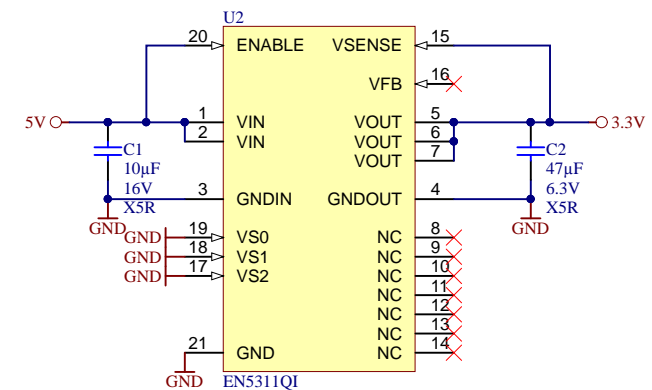
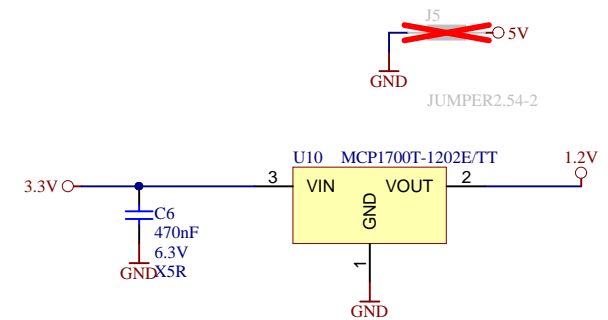
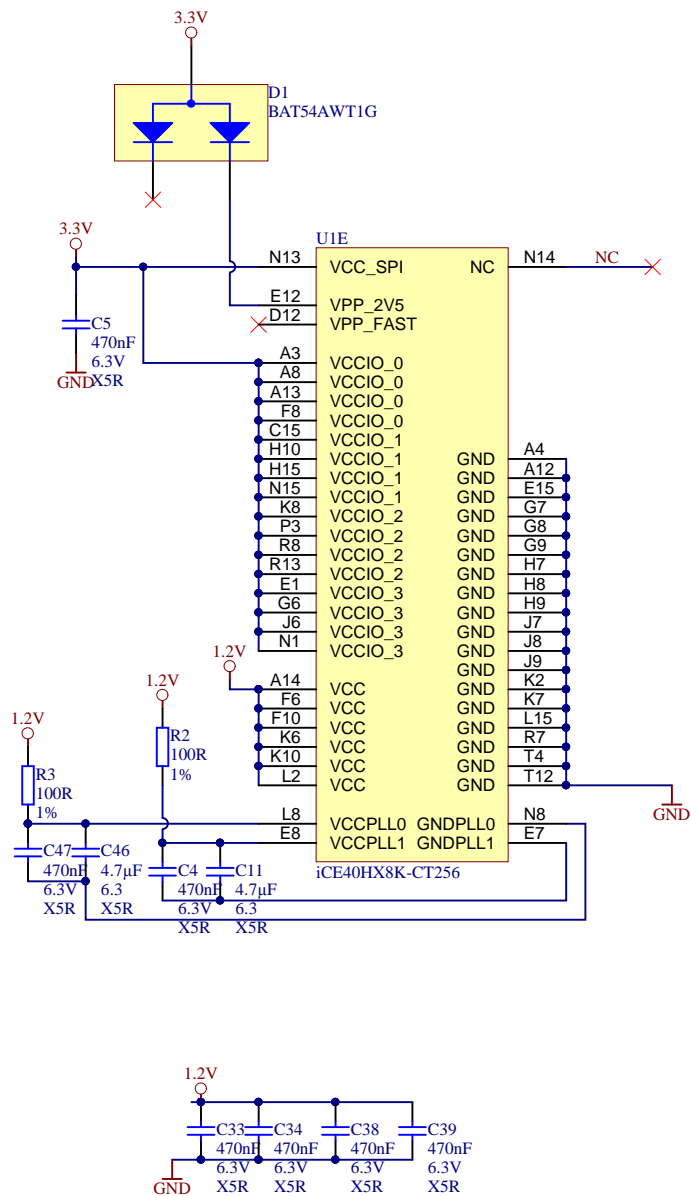
	Title: TE0887 - PMOD		
	A4	Number: TE0887 DEFAULT	Rev. 02
	Date: 2016-06-01	Copyright: Trenz Electronic GmbH	Page 3 of 6
	Filename: PMOD.SchDoc		



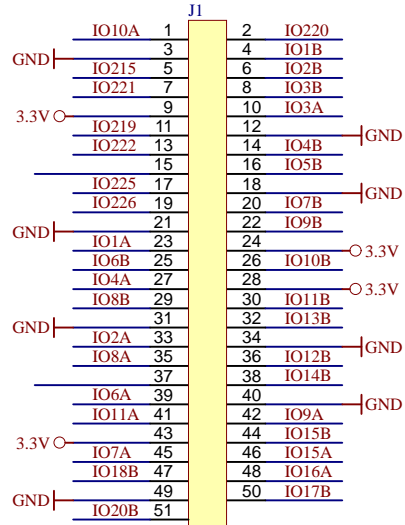
Title: TE0887 - FPGA		
A4	Number: TE0887 DEFAULT	Rev. 02
Date: 2016-06-01	Copyright: Trenz Electronic GmbH	Page 4 of 6
Filename: FPGA.SchDoc		



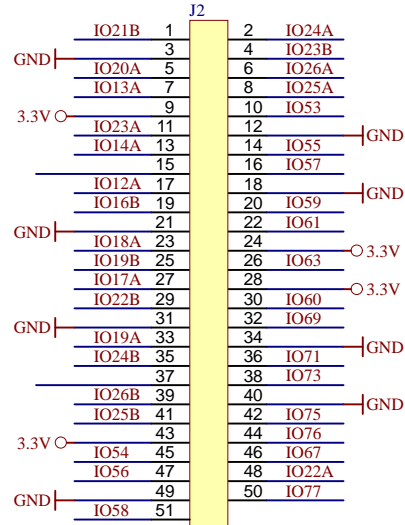
Title: TE0887 - Interface		
A4	Number: TE0887 DEFAULT	Rev. 02
Date: 2016-06-01	Copyright: Trenz Electronic GmbH	Page 5 of 6
Filename: Interface.SchDoc		



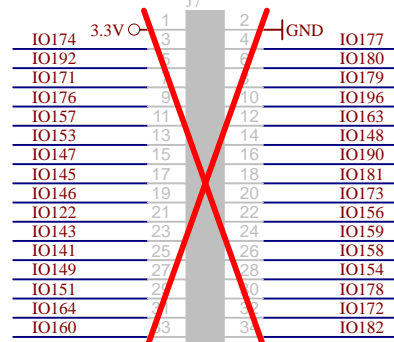
	Title: TE0887 - Power	
	A4	Number: TE0887 DEFAULT
	Date: 2016-06-01	Copyright: Trenz Electronic GmbH
	Rev. 02	Page 6 of 6
Filename: PWR_FPGA.SchDoc		



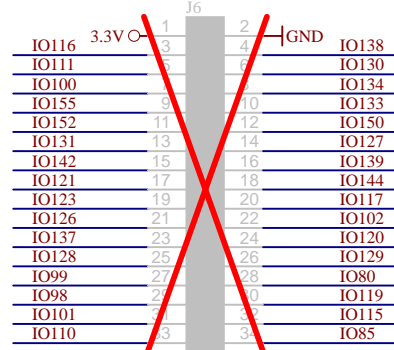
FFC 51pin, 0.3mm 90°



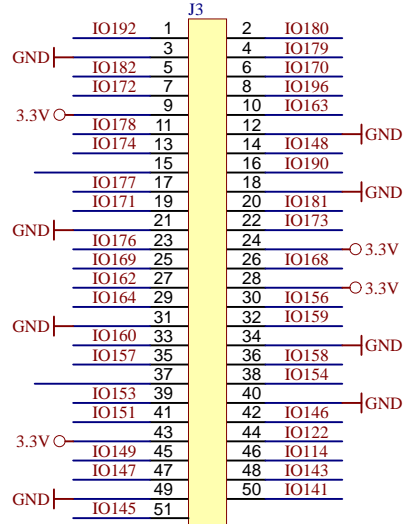
FFC 51pin, 0.3mm 90°



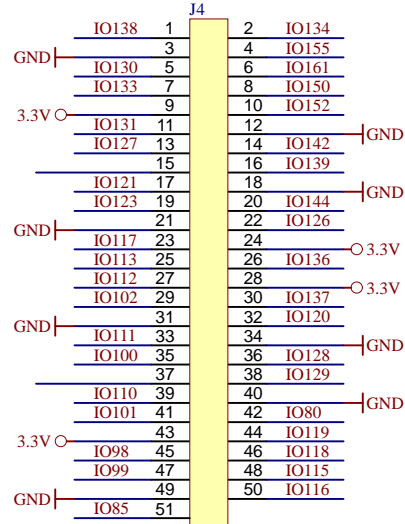
WANNE2,54-34 GERADE



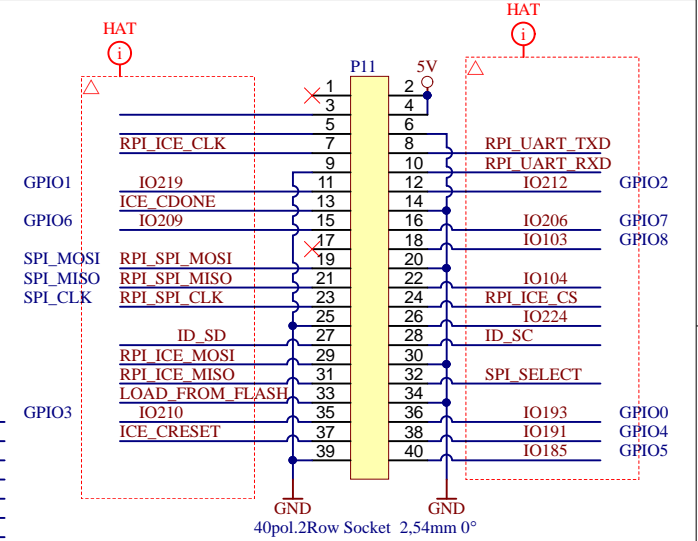
WANNE2,54-34 GERADE



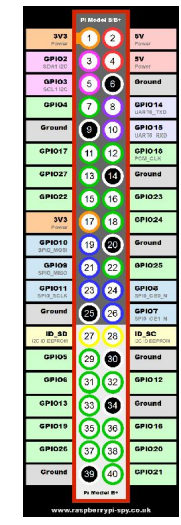
FFC 51pin, 0.3mm 90°



FFC 51pin, 0.3mm 90°



40pin.2Row Socket 2,54mm 0°



Title: TE0887 - Connectors		
A4	Number: TE0887 DEFAULT	Rev. 02
Date: 2016-06-01	Copyright: Trenz Electronic GmbH	Page 12 of 12
Filename: Connectors.SchDoc		