

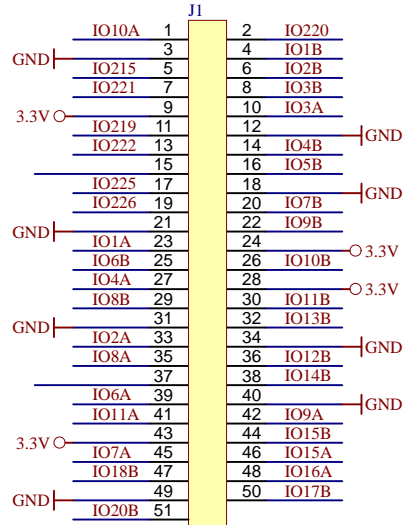
Title: TE0887		
A4	Number: TE0887 02M	Rev. 02
Date: 2016-06-01	Copyright: Trenz Electronic GmbH	Page1 of 6
Filename: TE0887.SchDoc		

1

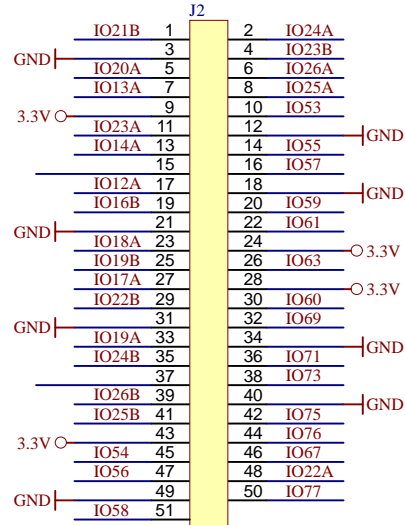
2

3

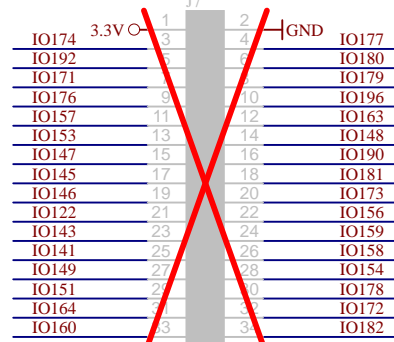
4



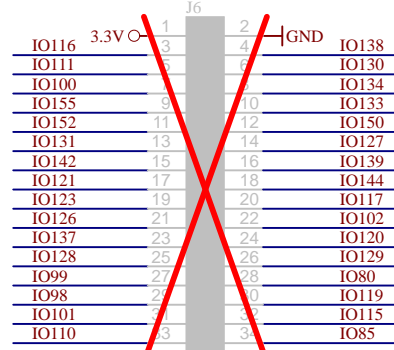
FFC 51pol. 0,3mm 90°



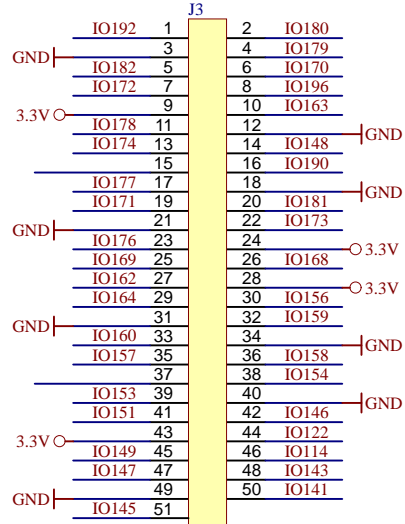
FFC 51pol. 0,3mm 90°



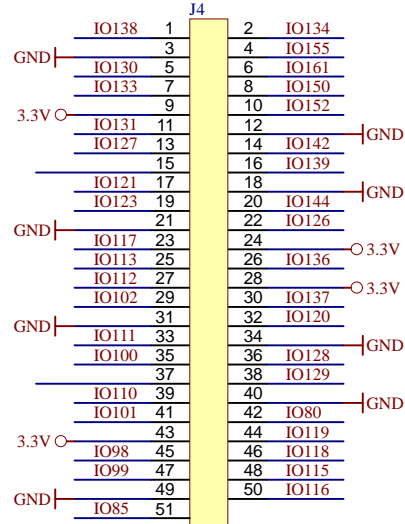
WANNE2,54-34 GERADE



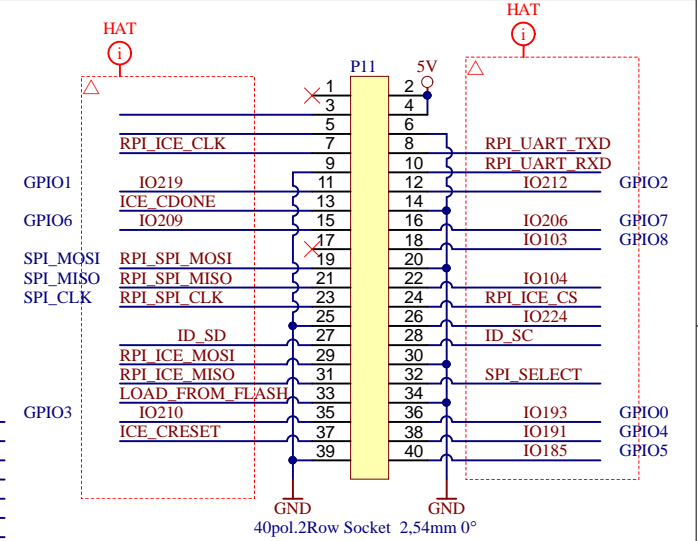
WANNE2,54-34 GERADE



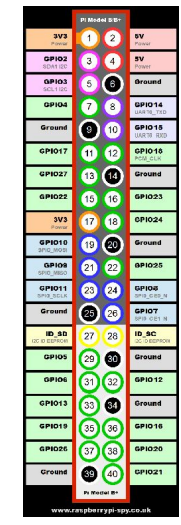
FFC 51pol. 0,3mm 90°



FFC 51pol. 0,3mm 90°



40pin.2Row Socket 2,54mm 0°



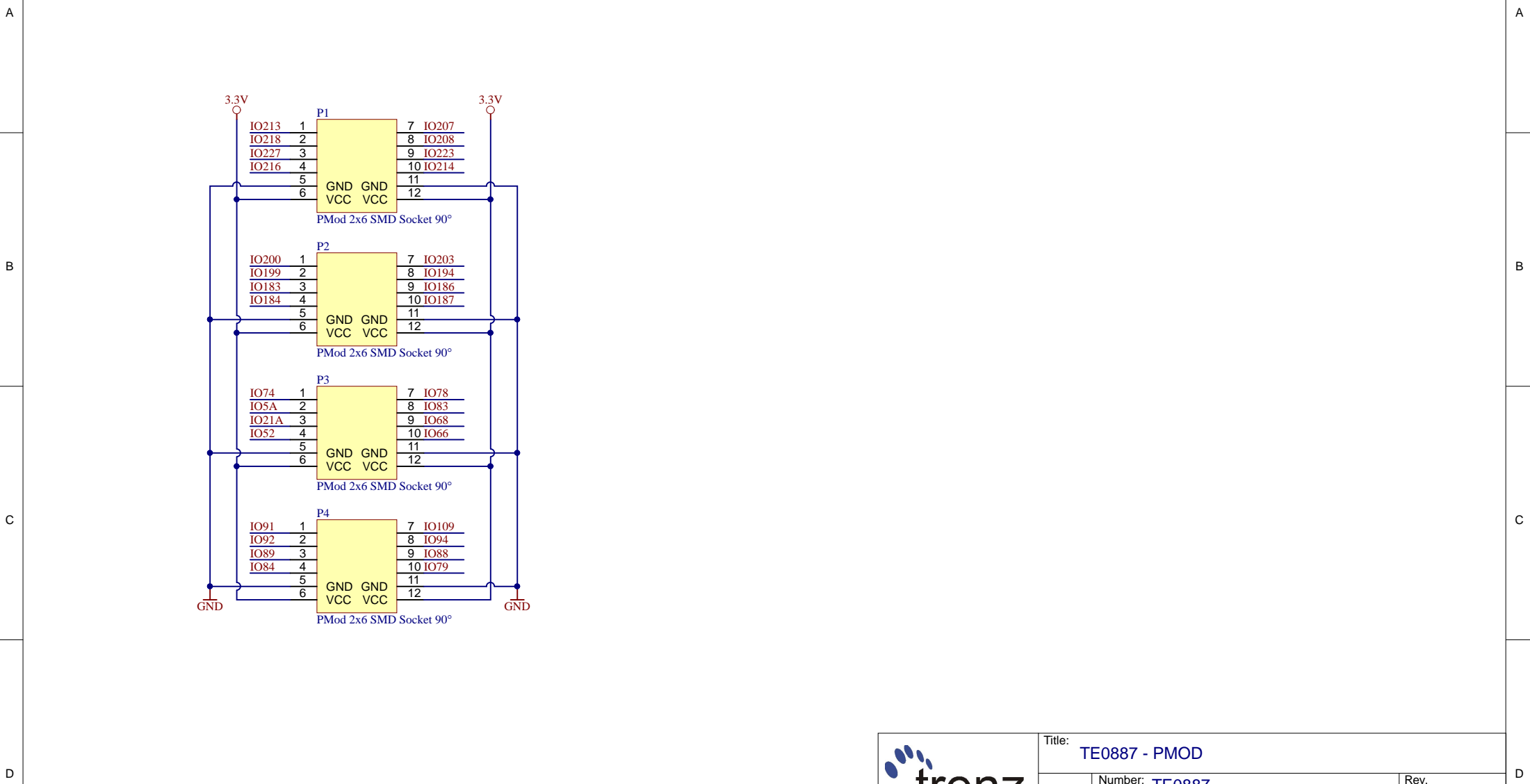
Title: TE0887 - Connectors		
A4	Number: TE0887 02M	Rev. 02
Date: 2016-06-01	Copyright: Trenz Electronic GmbH	Page2 of 6
Filename: Connectors.SchDoc		

1

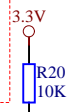
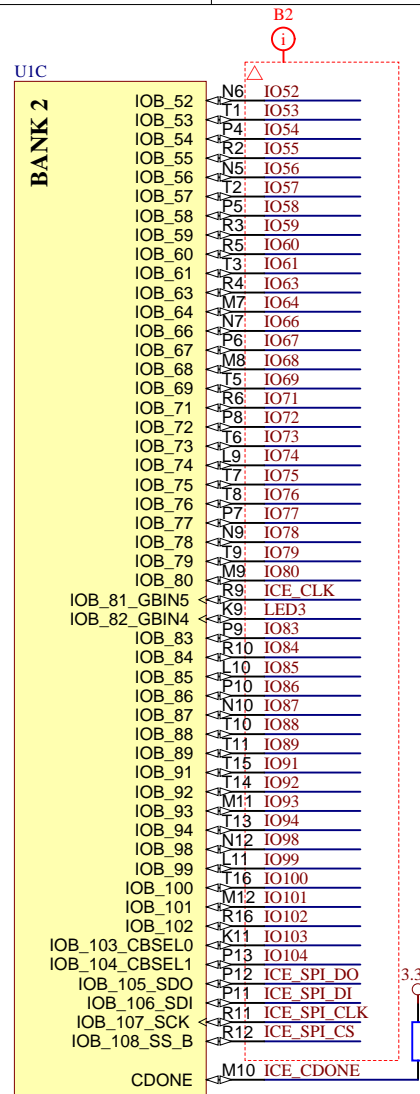
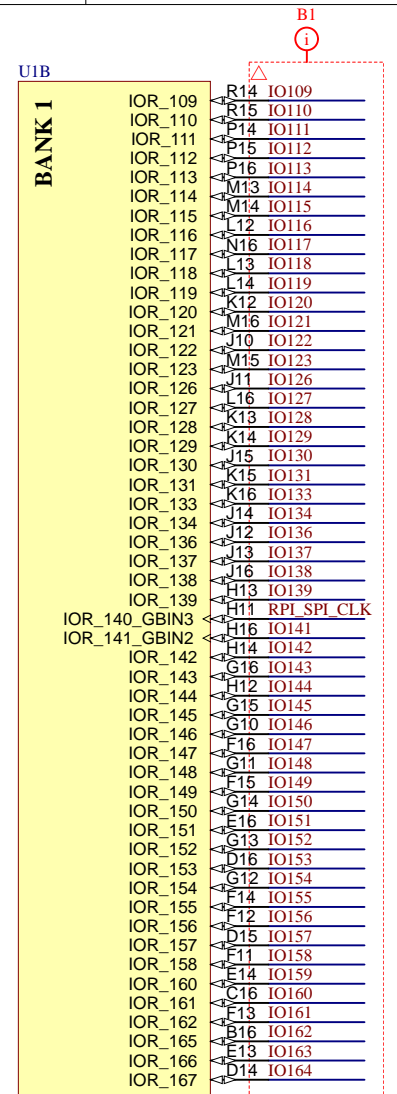
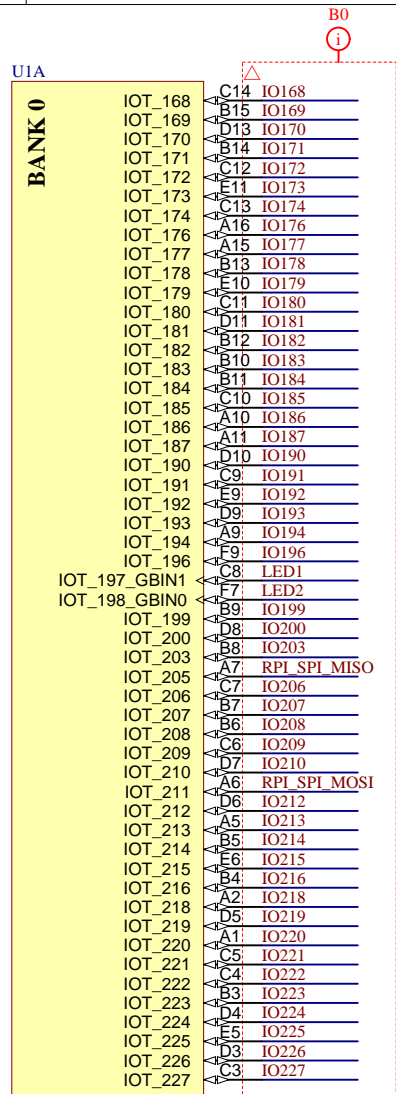
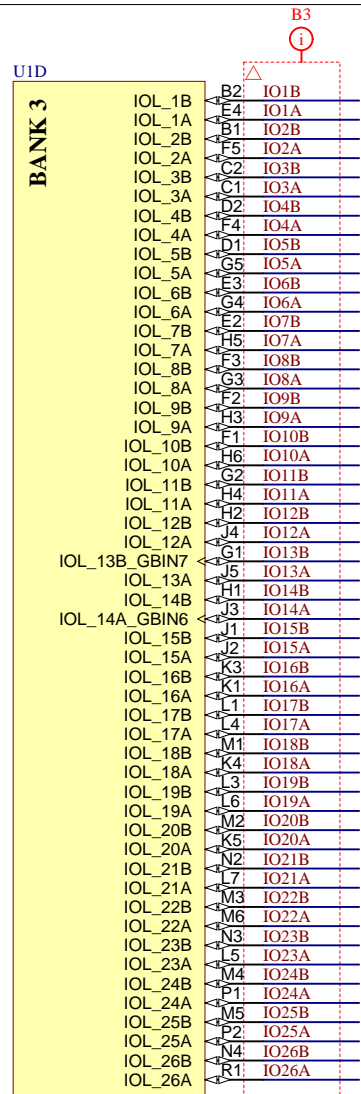
2

3

4



Title: TE0887 - PMOD		
A4	Number: TE0887 02M	Rev. 02
Date: 2016-06-01	Copyright: Trenz Electronic GmbH	Page 3 of 6
Filename: PMOD.SchDoc		



Title: TE0887 - FPGA		
A4	Number: TE0887 02M	Rev. 02
Date: 2016-06-01	Copyright: Trenz Electronic GmbH	Page 4 of 6
Filename: FPGA.SchDoc		

1

2

3

4

A

A

B

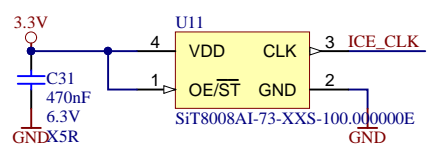
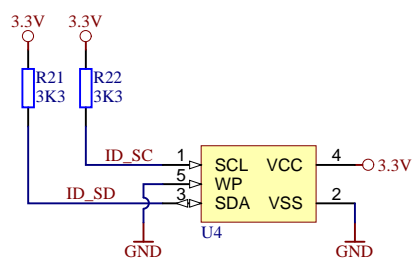
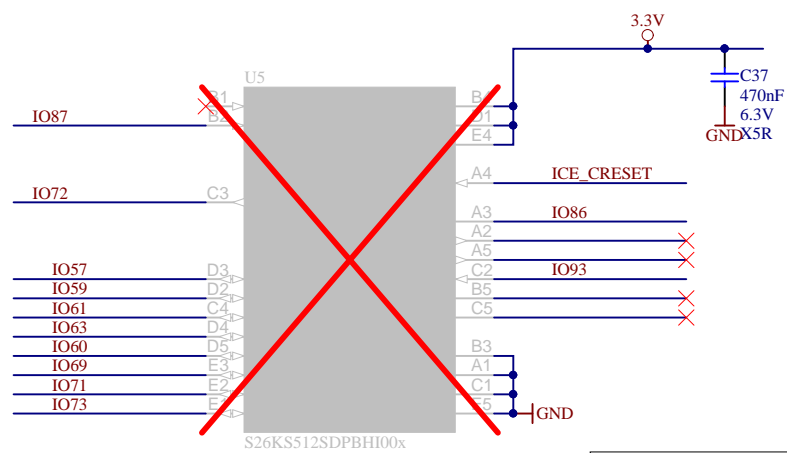
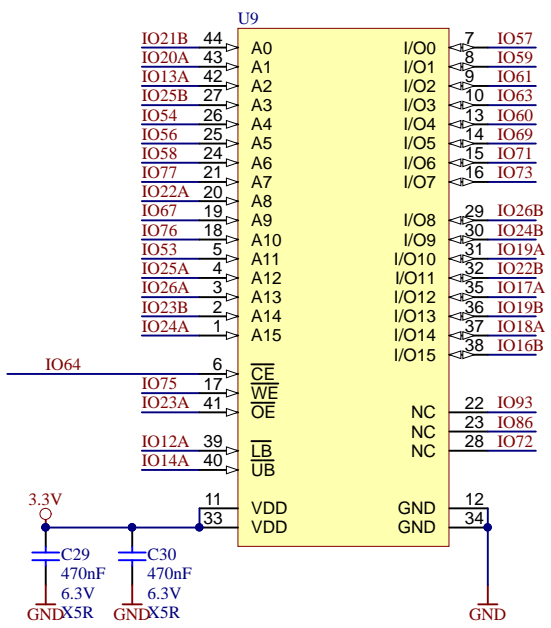
B

C

C

D

D



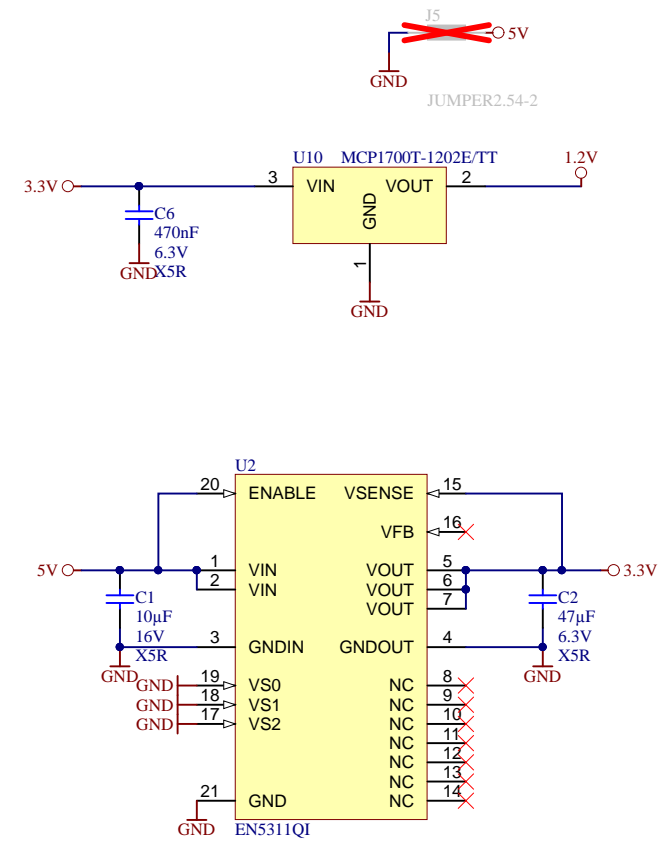
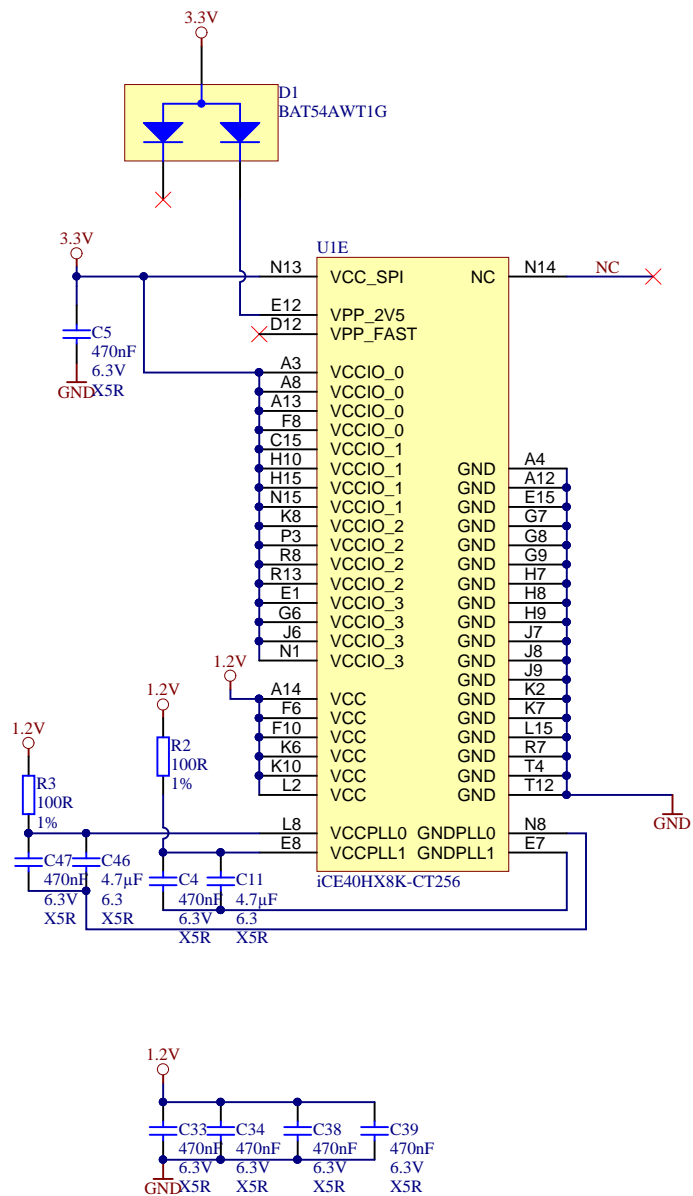
Title: TE0887 - Interface		
A4	Number: TE0887 02M	Rev. 02
Date: 2016-06-01	Copyright: Trenz Electronic GmbH	Page 5 of 6
Filename: Interface.SchDoc		

1

2

3

4



Title: TE0887 - Power		
A4	Number: TE0887 02M	Rev. 02
Date: 2016-06-01	Copyright: Trenz Electronic GmbH	Page 6 of 6
Filename: PWR_FPGA.SchDoc		