

|                         |                                  |            |
|-------------------------|----------------------------------|------------|
| Title: TE0887           |                                  |            |
| A4                      | Number: TE0887 02M               | Rev. 03    |
| Date: 2017-03-07        | Copyright: Trenz Electronic GmbH | Page1 of 7 |
| Filename: TE0887.SchDoc |                                  |            |

1

2

3

4

A

A

B

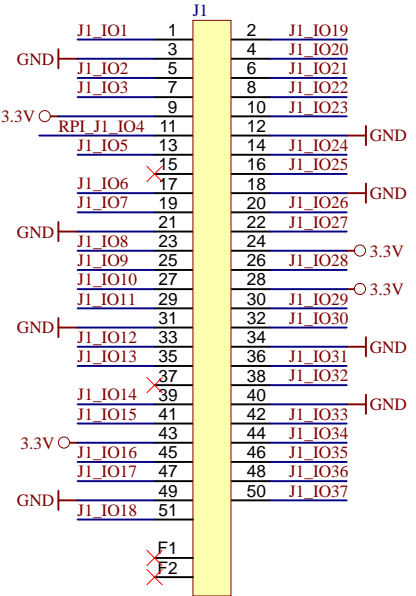
B

C

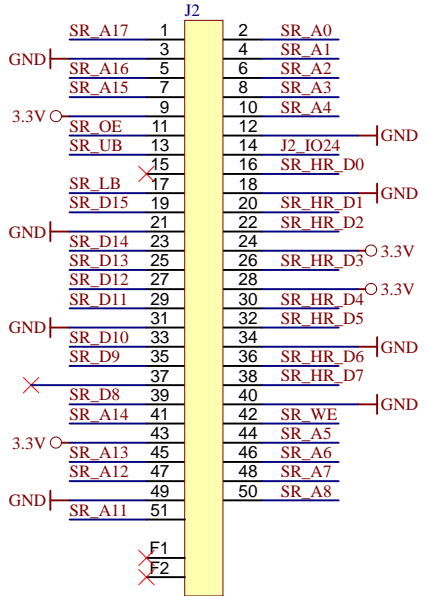
C

D

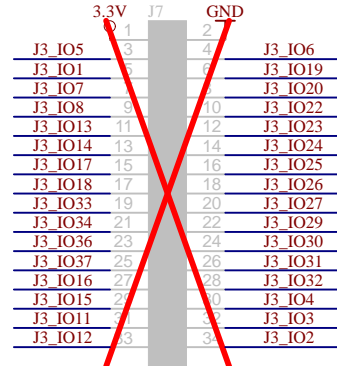
D



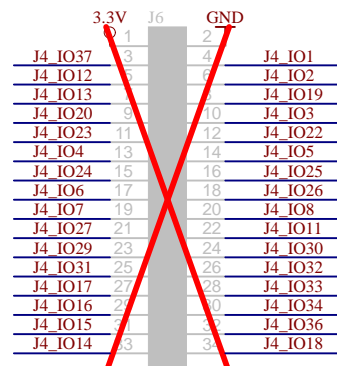
FFC 51pol. 0,3mm 90°



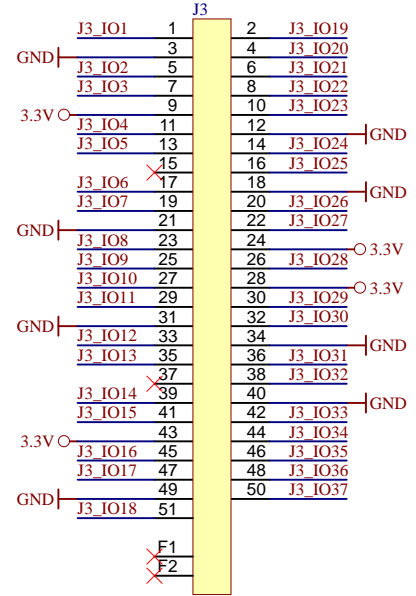
FFC 51pol. 0,3mm 90°



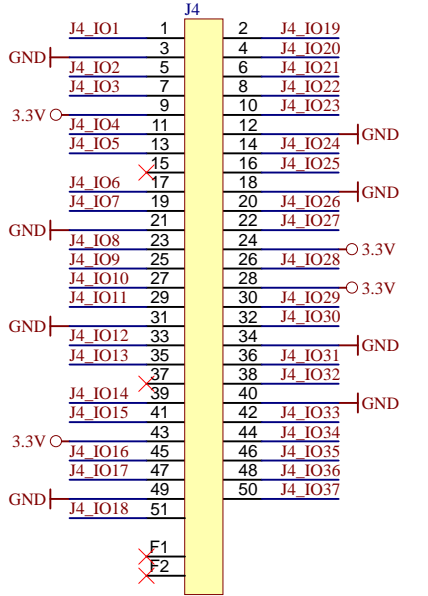
WANNE2,54-34 GERÄDE



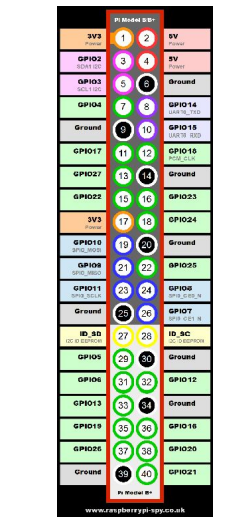
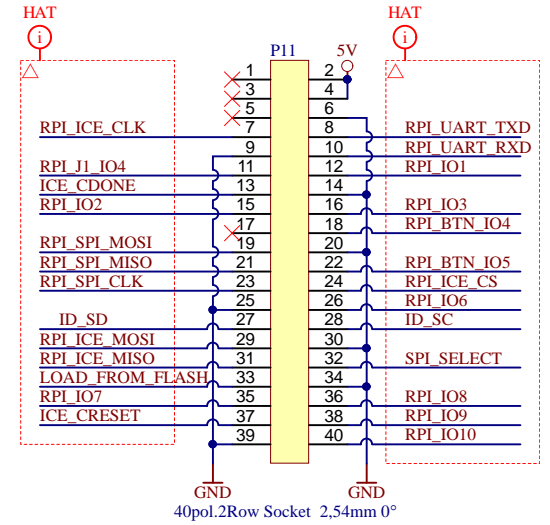
WANNE2,54-34 GERÄDE



FFC 51pol. 0,3mm 90°



FFC 51pol. 0,3mm 90°



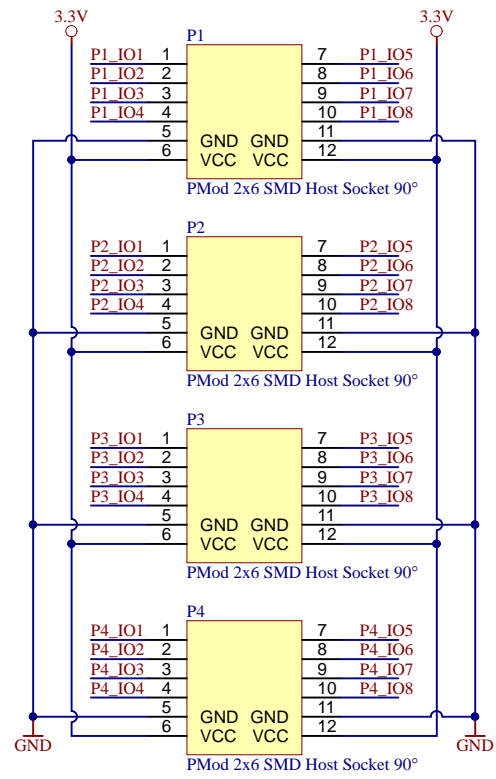
|                             |                                  |            |
|-----------------------------|----------------------------------|------------|
| Title: TE0887 - Connectors  |                                  |            |
| A4                          | Number: TE0887 02M               | Rev. 03    |
| Date: 2017-03-07            | Copyright: Trenz Electronic GmbH | Page2 of 7 |
| Filename: Connectors.SchDoc |                                  |            |


1

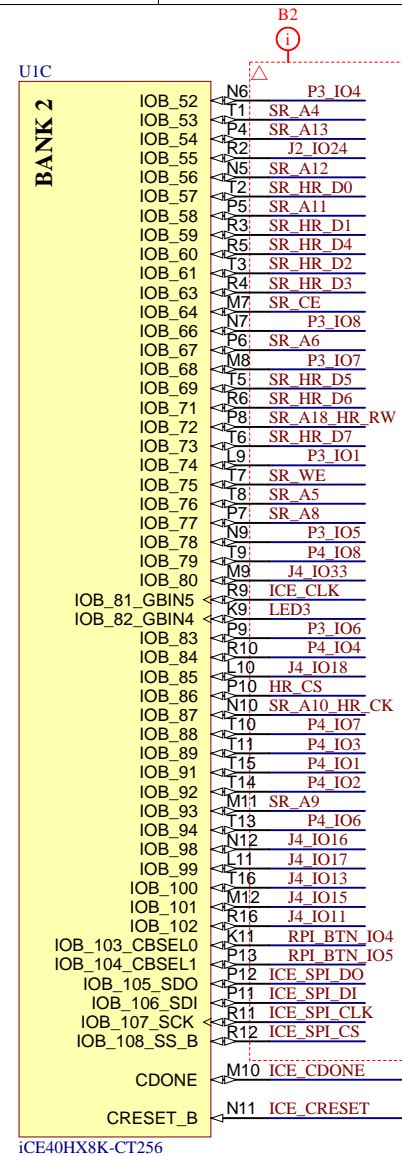
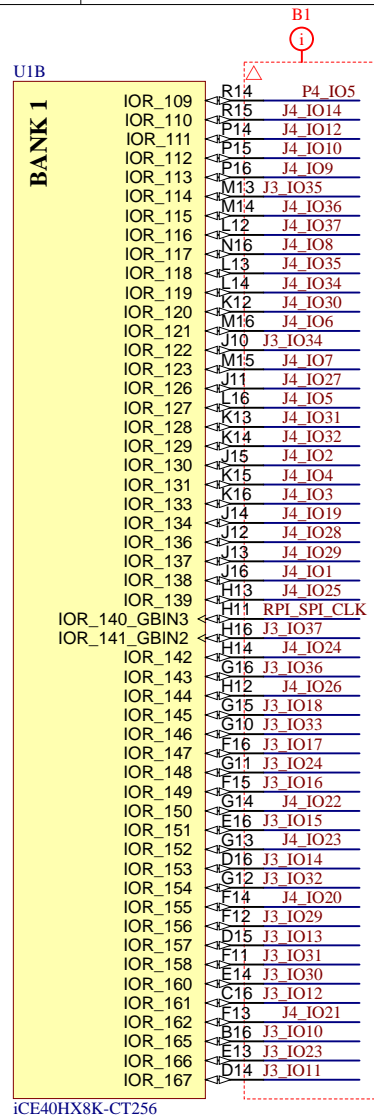
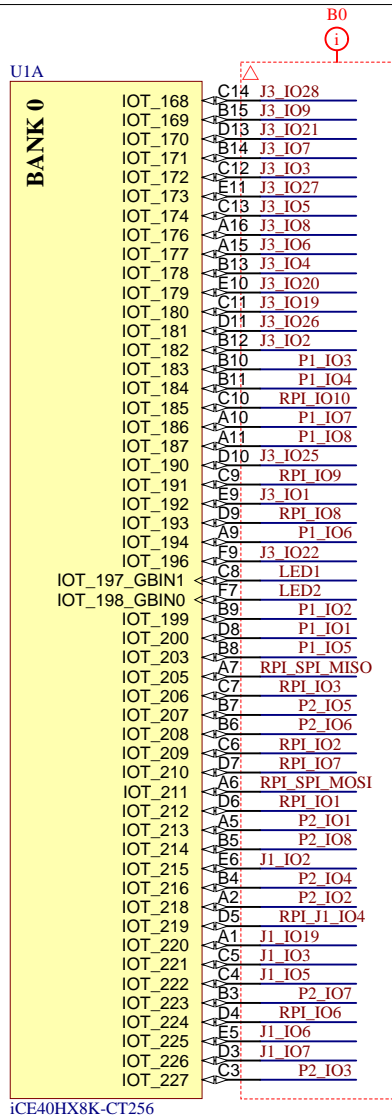
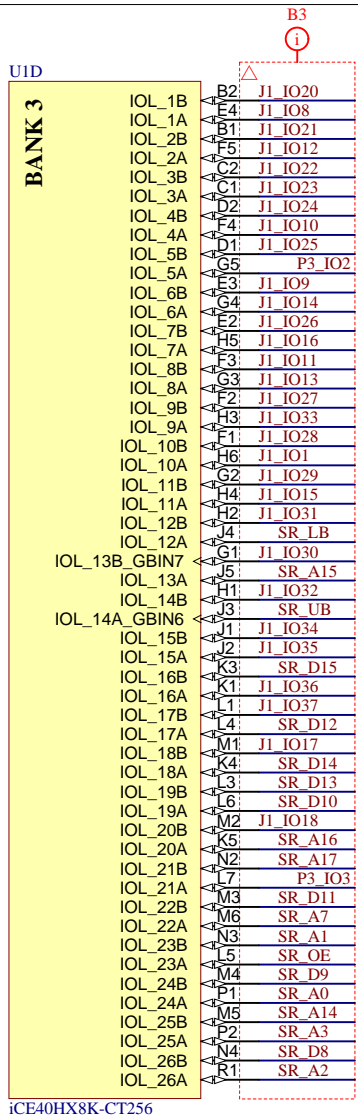
2

3

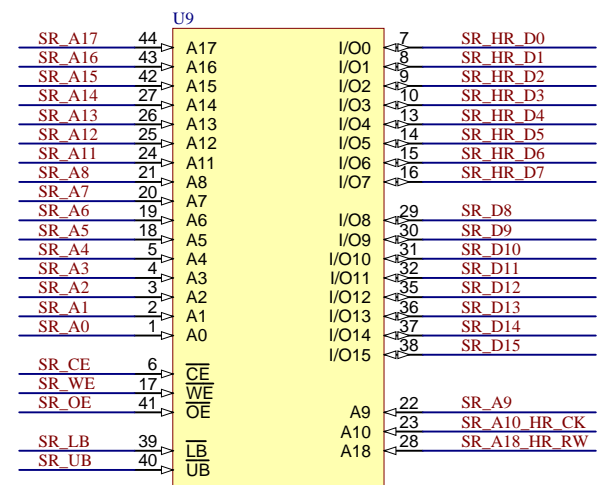
4



|   |  |   |                               |
|---|--|---|-------------------------------|
|  |  | Title: <b>TE0887 - PMOD</b>             |                               |
|   |  | A4                                      | Number: <b>TE0887<br/>02M</b> |
| Date: <b>2017-03-07</b>   |  | Copyright: <b>Trenz Electronic GmbH</b> |                               |
| Filename: <b>PMOD.SchDoc</b>  |  | Page <b>3</b> of <b>7</b>               |                               |



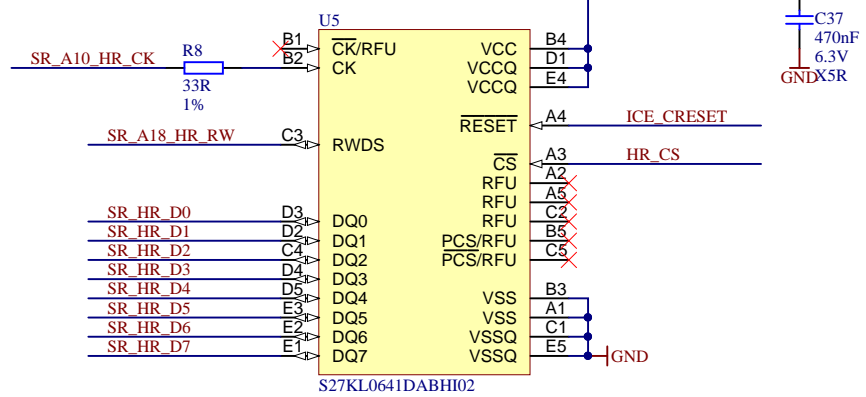
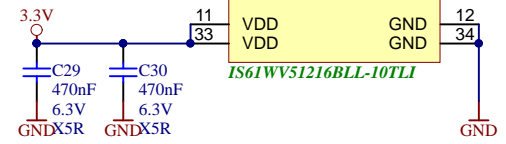
|                       |                                  |            |
|-----------------------|----------------------------------|------------|
| Title: TE0887 - FPGA  |                                  |            |
| A4                    | Number: TE0887 02M               | Rev. 03    |
| Date: 2017-03-07      | Copyright: Trenz Electronic GmbH | Page4 of 7 |
| Filename: FPGA.SchDoc |                                  |            |



SRAM on the WEB

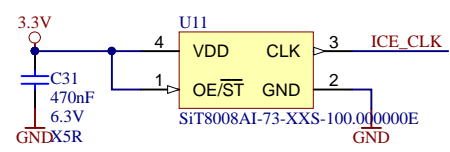
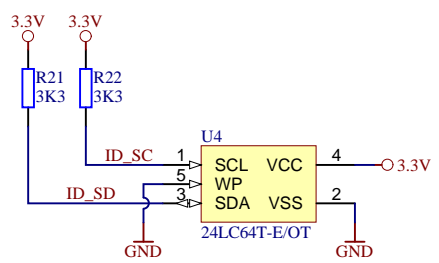
1MBit [IS61WV6416DBLL-10TLI](#)

8MBit [IS61WV51216BLL-10TLI](#)

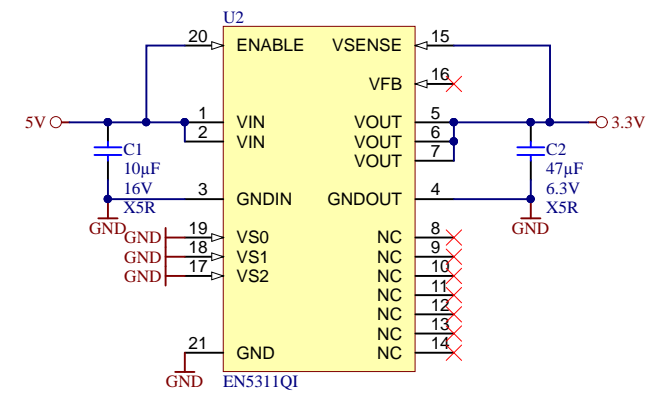
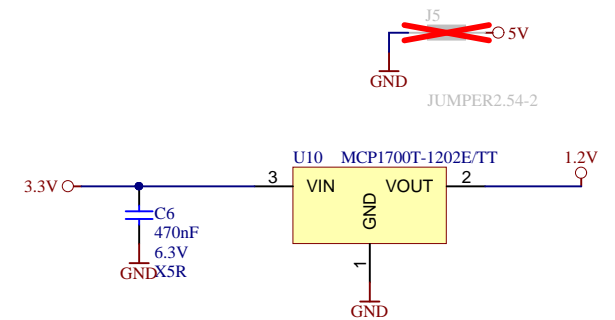
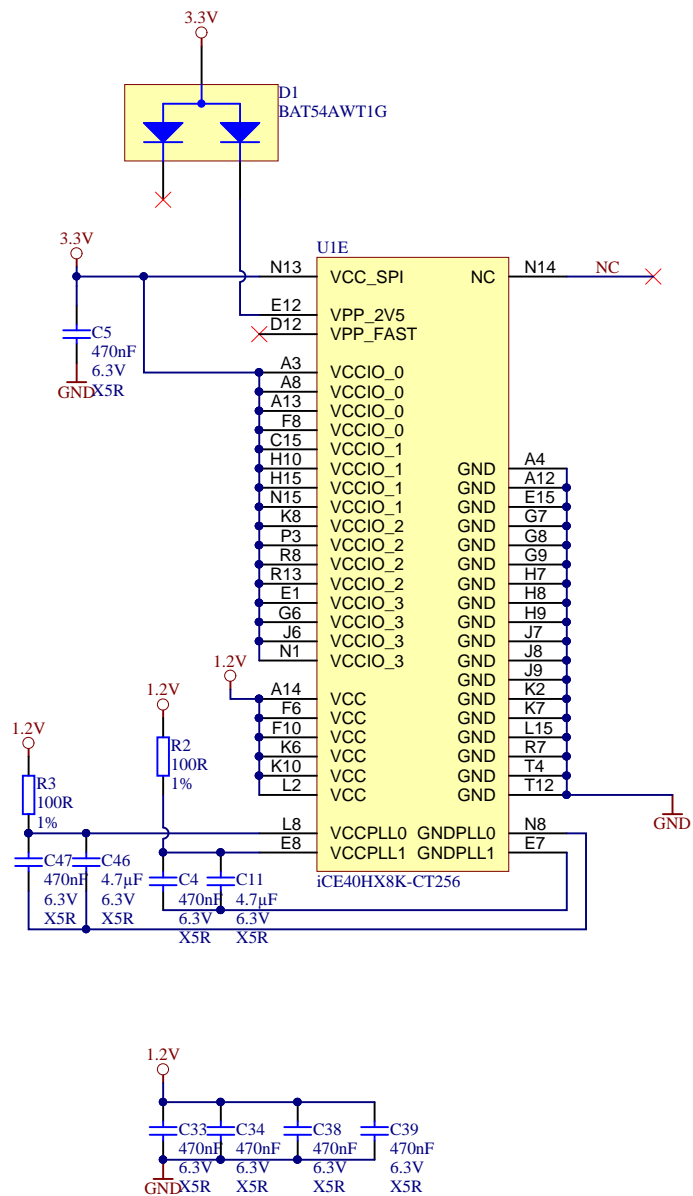



HyperRAM on the WEB

[S27KL0641DABHI02](#)



|                            |                                  |             |
|----------------------------|----------------------------------|-------------|
| Title: TE0887 - Interface  |                                  |             |
| A4                         | Number: TE0887 02M               | Rev. 03     |
| Date: 2017-03-07           | Copyright: Trenz Electronic GmbH | Page 5 of 7 |
| Filename: Interface.SchDoc |                                  |             |



|   |  |                                  |                       |                    |
|---|--|----------------------------------|-----------------------|--------------------|
|  |  |                                  | Title: TE0887 - Power |                    |
|   |  |                                  | A4                    | Number: TE0887 02M |
| Date: 2017-03-07  |  | Copyright: Trenz Electronic GmbH |                       | Page6 of 7         |
| Filename: PWR_FPGA.SchDoc   |  |                                  |                       |                    |

1

2

3

4

Rev. 03:

- 1. PCB: changed position of connectors J1-J4. J1, J3: ΔY -0.8mm; J2, J4: ΔY -0.9mm
- 2. U12 HOLD and WP inputs connected to 3.3V via 10 kOm pull-up resistor.
- 3. PCB: jumper J8 (CPLD JTAG\_EN) moved between P3 - P4
- 4. Added series R8 to IO87 (Hyper RAM CK input)
- 5. Added pull-up resistor R9 (Hyper RAM CS input)
- 6. P1 and P2 are interchanged
- 7. Added PMOD and pin headers labels
- 8. Renamed nets
- 9. U5 HyperFlash replaced by HyperRAM

A

A

B


B

C

C

D

D

|   |  |   |                           |
|---|--|---|---------------------------|
|  | Title: <b>TE0887 - Revision changes</b>  |   |                           |
|   | A4                                       | Number: <b>TE0887<br/>02M</b>           | Rev. <b>03</b>            |
|   | Date: <b>2017-03-07</b>                  | Copyright: <b>Trenz Electronic GmbH</b> | Page <b>7</b> of <b>7</b> |
|   | Filename: <b>Revision_changes.SchDoc</b> |   |                           |

1

2

3

4