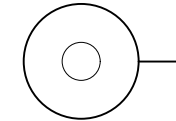


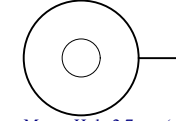
U_RPi-Headers
RPi-Headers.SchDoc



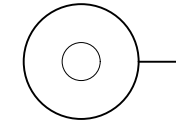
U_FTDI
FTDI.SchDoc



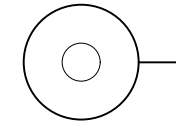
Mount.Hole 2.7mm (unplated)



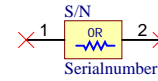
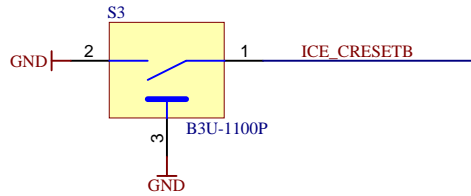
Mount.Hole 2.7mm (unplated)



Mount.Hole 2.7mm (unplated)

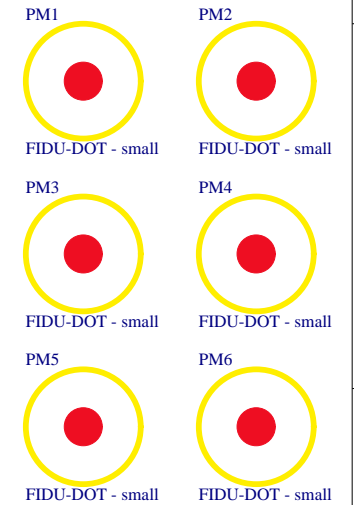


Mount.Hole 2.7mm (unplated)

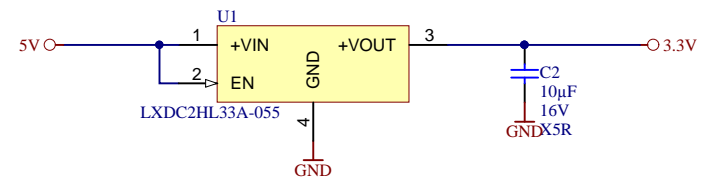
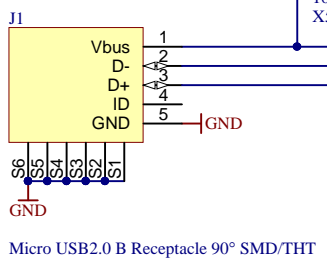
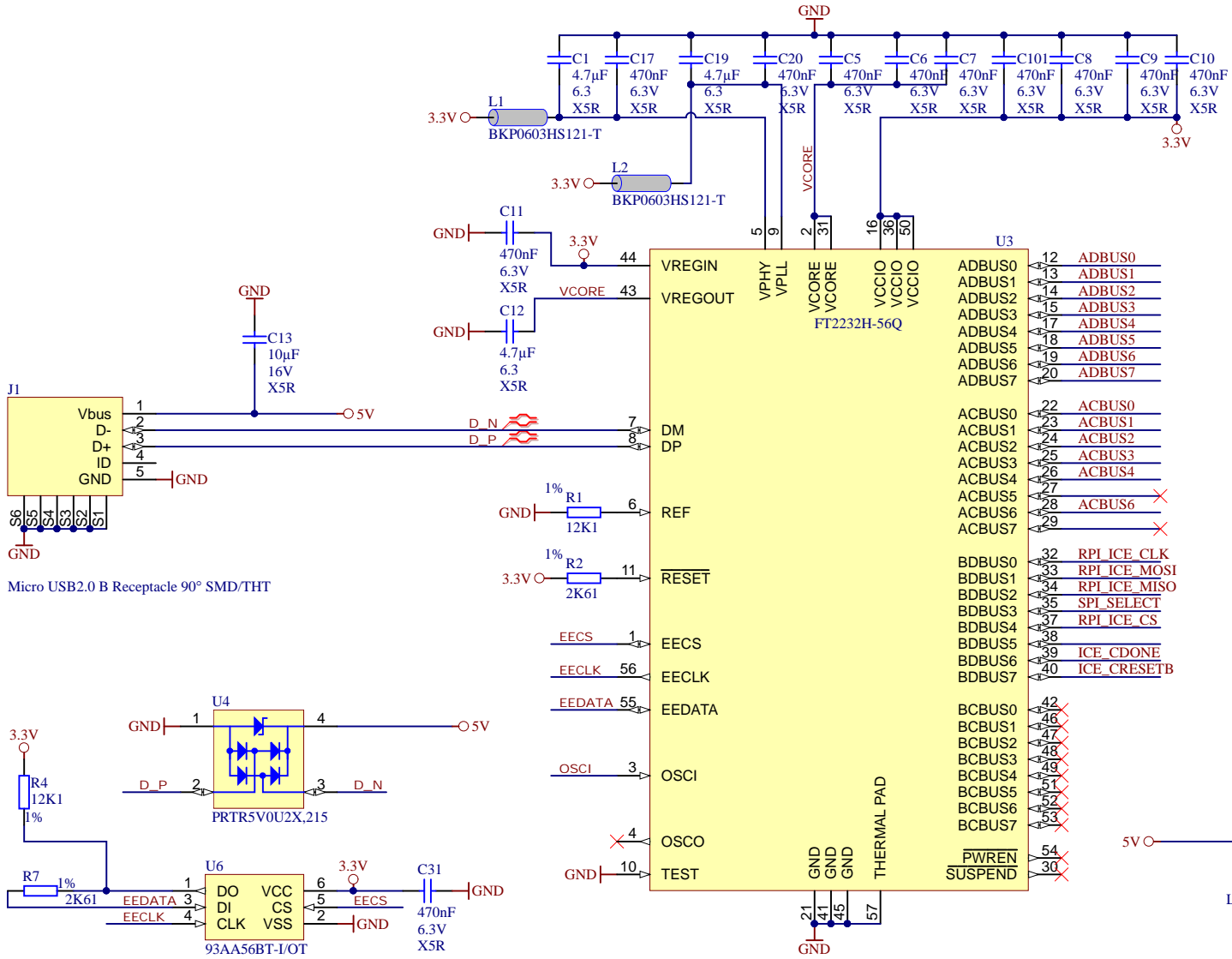


LOGO1
TE Logo PRINT Layer
LOGO PRINT

Serial
Serialnumber 6,3 x 6.3mm



Title: TE0889		
A4	Number: TE0889 Default	Rev. 02
Date: 2016-01-26	Copyright: Trenz Electronic GmbH	Page1 of 14
Filename: TE0889.SchDoc		

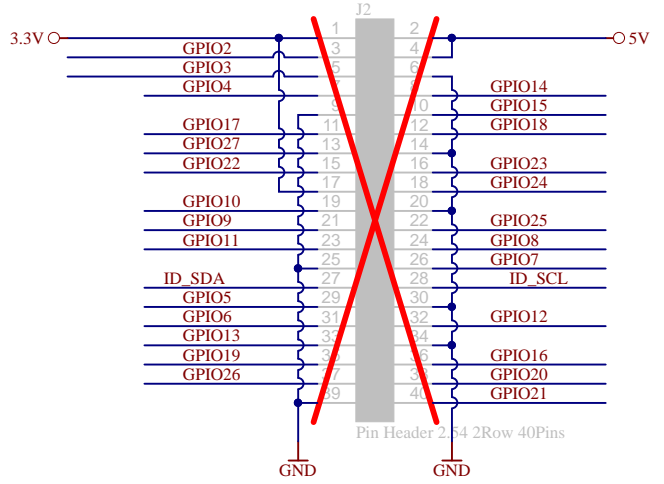
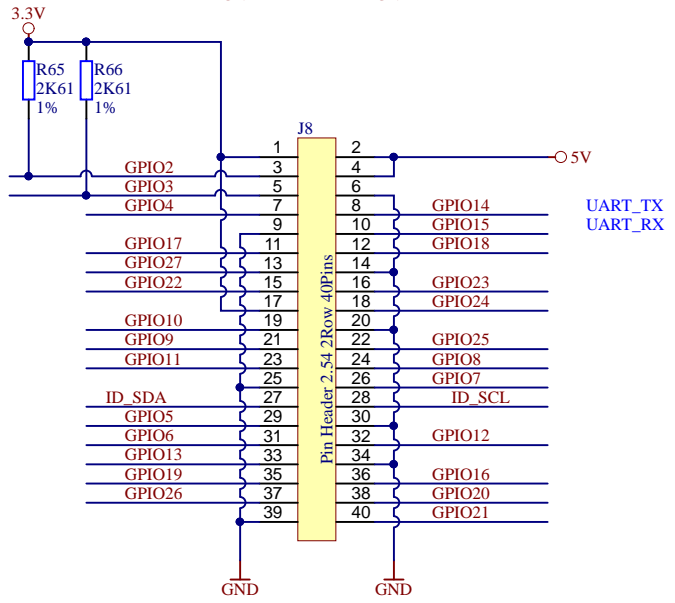
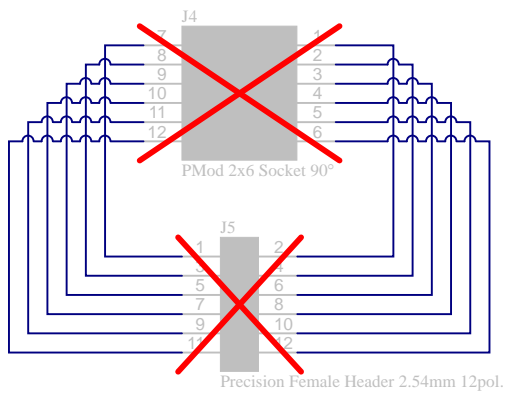
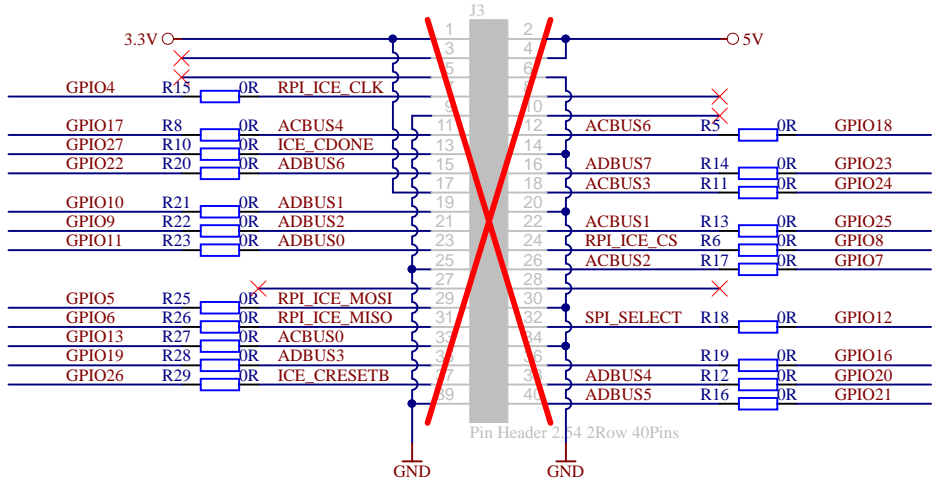



CHANGES

- change connection on FTDI (U3) :
 - * add:
 - pin27 (ACBUS5)
 - pin29 (ACBUS7)
 - pin38 (BDBUS5)
- change connection on connector J3:
 - * replace: net ACBUS0 from pin33 to pin27
 - * add:
 - pin28 (ACBUS7)
 - pin33 (BDBUS5)
 - pin36 (ACBUS5)



Title: TE0889		
A4	Number: TE0889 Default	Rev. 02
Date: 2016-01-26	Copyright: Trenz Electronic GmbH	Page 8 of 14
Filename: FTDI.SchDoc		

Title: TE0889		
A4	Number: TE0889 Default	Rev. 02
Date: 2016-01-26	Copyright: Trenz Electronic GmbH	Page 13 of 14
Filename: RPi-Headers.SchDoc		