

1

2

3

4

A

A

B

B

C

C

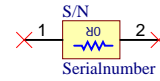
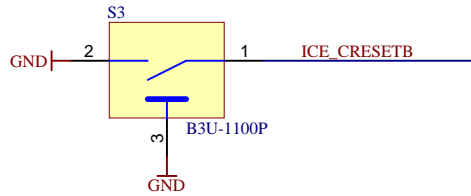
D

D

U_RPi-Headers
RPi-Headers.SchDoc

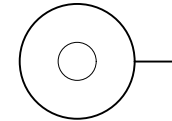


U_FTDI
FTDI.SchDoc

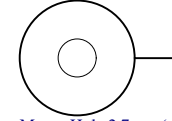


LOGO1
TE Logo PRINT Layer
LOGO PRINT

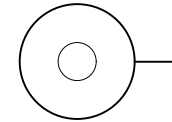
Serial
Serialnumber 6,3 x 6.3mm



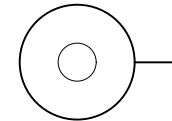
Mount.Hole 2.7mm (unplated)



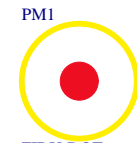
Mount.Hole 2.7mm (unplated)



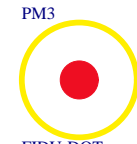
Mount.Hole 2.7mm (unplated)



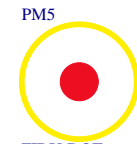
Mount.Hole 2.7mm (unplated)



FIDU-DOT - small



FIDU-DOT - small



FIDU-DOT - small



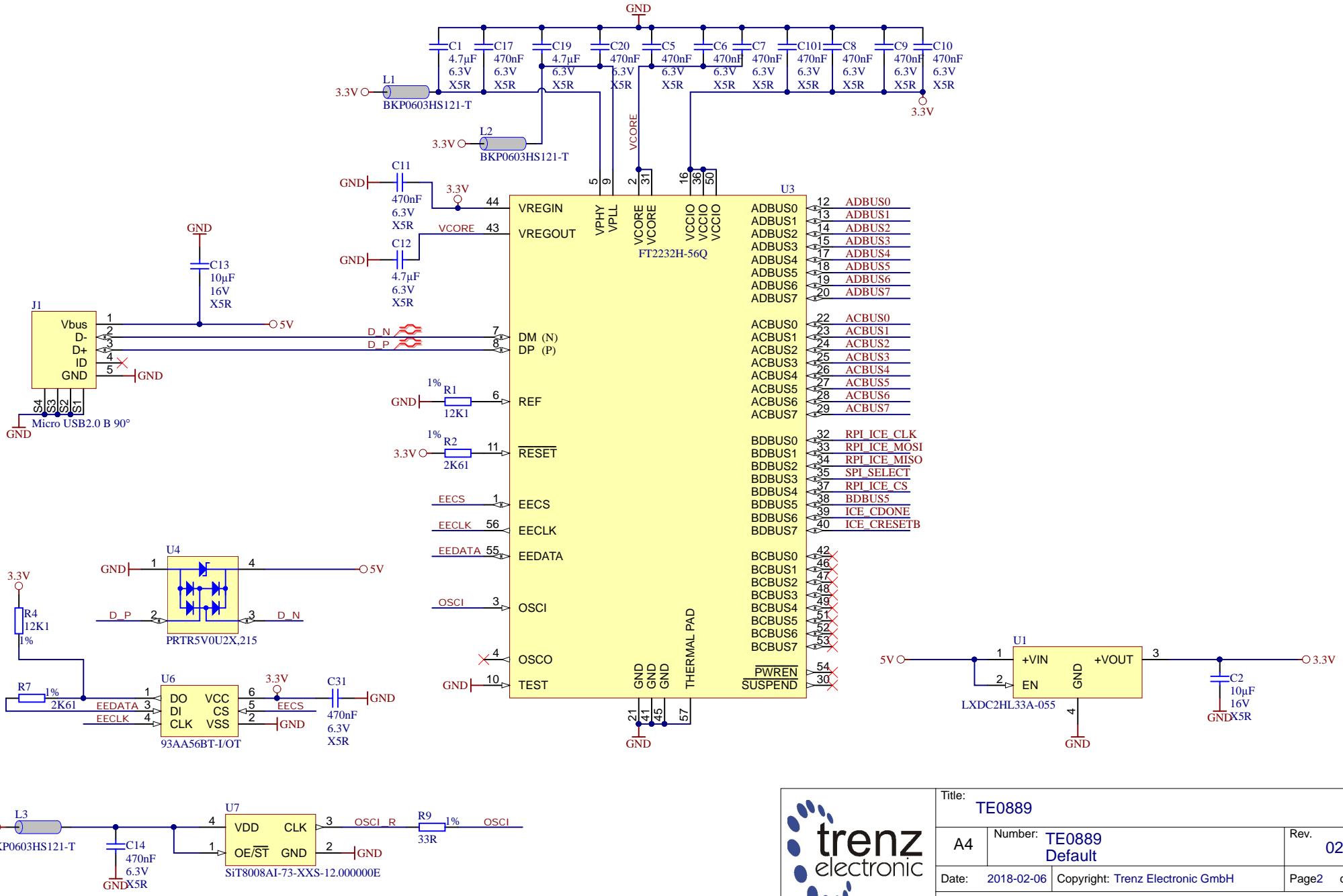
| | | |
|-------------------------|----------------------------------|------------|
| Title: TE0889 | | |
| A4 | Number: TE0889 Default | Rev. 02 |
| Date: 2018-02-06 | Copyright: Trenz Electronic GmbH | Page1 of 4 |
| Filename: TE0889.SchDoc | | |

1

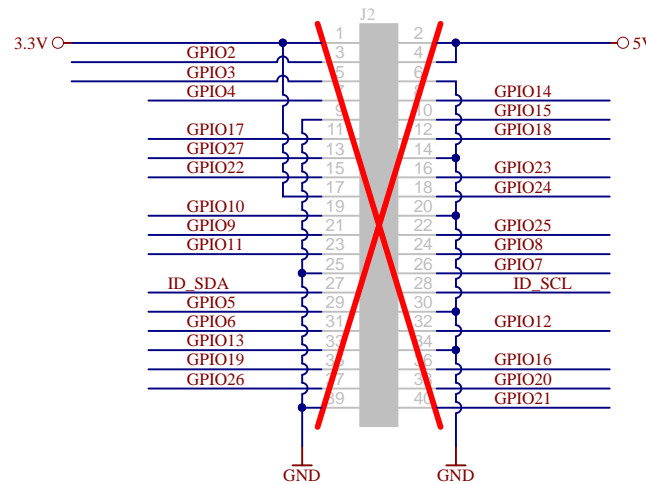
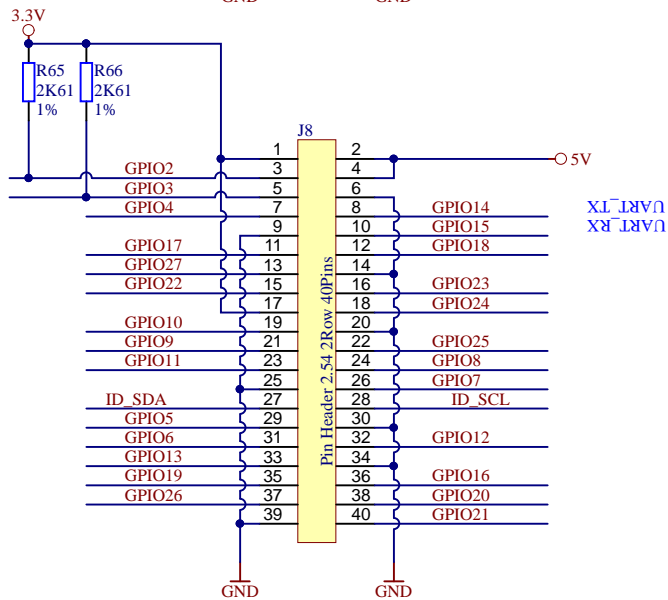
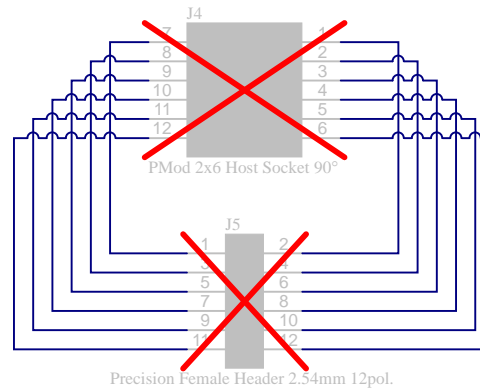
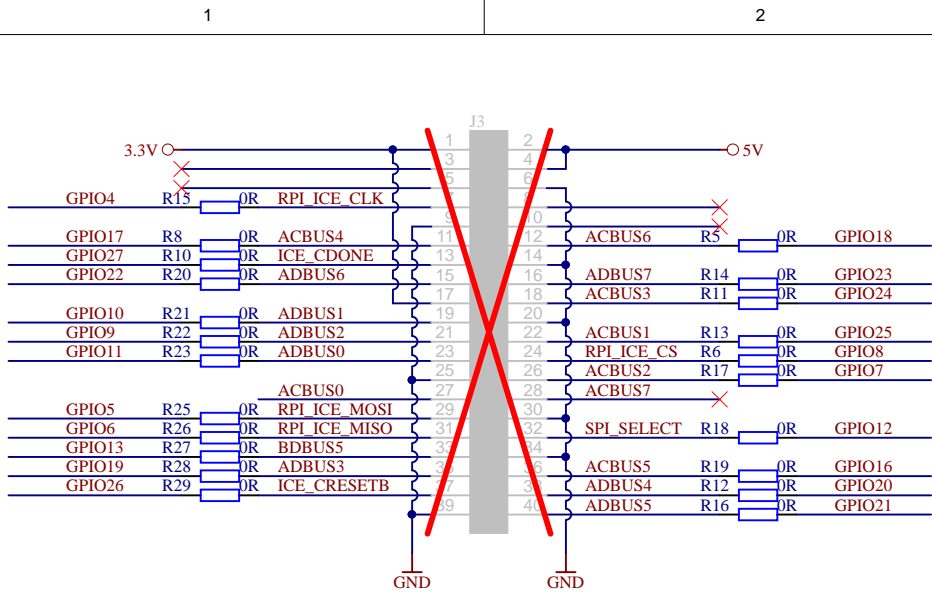
2

3

4



| | | |
|------------------------------|----------------------------------|----------------|
| Title: TE0889 | | |
| A4 | Number: TE0889 Default | Rev. 02 |
| Date: 2018-02-06 | Copyright: Trenz Electronic GmbH | Page2 of 4 |
| Filename: FTDI.SchDoc | | |



| | | | |
|--|-------------------------------------|---|---------------------------|
| | Title: TE0889 | | |
| | A4 | Number: TE0889 Default | Rev. 02 |
| | Date: 2018-02-06 | Copyright: Trenz Electronic GmbH | Page 3 of 4 |
| | Filename: RPi-Headers.SchDoc | | |

1

2

3

4

CHANGES REV01 to REV02

- 1) changed micro USB connector AN26783(FCI 10118194-0001LF) to AN27235 (Würth 629105150521)
- 2) full update lib
- 3) changed connection on FTDI (U3) :
 - * added:
 - a) pin27 (ACBUS5)
 - b) pin29 (ACBUS7)
 - c) pin38 (BDBUS5)
- 4) changed connection on connector J3:
 - * replaced: net ACBUS0 from pin33 to pin27
 - * added:
 - a) pin28 (ACBUS7)
 - b) pin33 (BDBUS5)
 - c) pin36 (ACBUS5)

A

A

B


B

C

C

D

D

| | | | |
|---|--|---|---------------------------|
|  | Title: TE0889 - Changes list | | |
| | A4 | Number: TE0889 Default | Rev. 02 |
| | Date: 2018-02-06 | Copyright: Trenz Electronic GmbH | Page 4 of 4 |
| | Filename: Revision_Changes.SchDoc | | |

1

2

3

4