

U_RPi-Headers
RPi-Headers.SchDoc

U_FTDI
FTDI.SchDoc

MECH1

TE Address Overlay

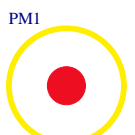
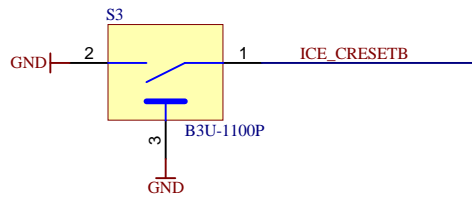
LOGO ADDRESS
LOGO1

TE Logo PRINT Layer

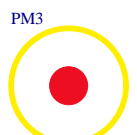
LOGO PRINT

Serial

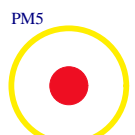
Serialnumber 6,3 x 6.3mm



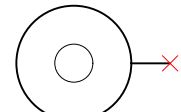
FIDU-DOT - mini



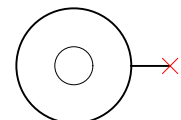
FIDU-DOT - mini



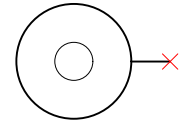
FIDU-DOT - mini



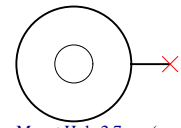
Mount.Hole 2.7mm (unplated)



Mount.Hole 2.7mm (unplated)



Mount.Hole 2.7mm (unplated)

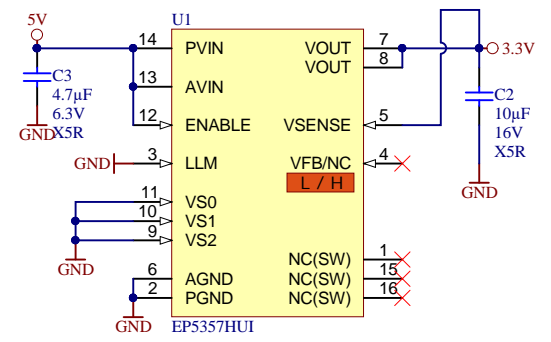
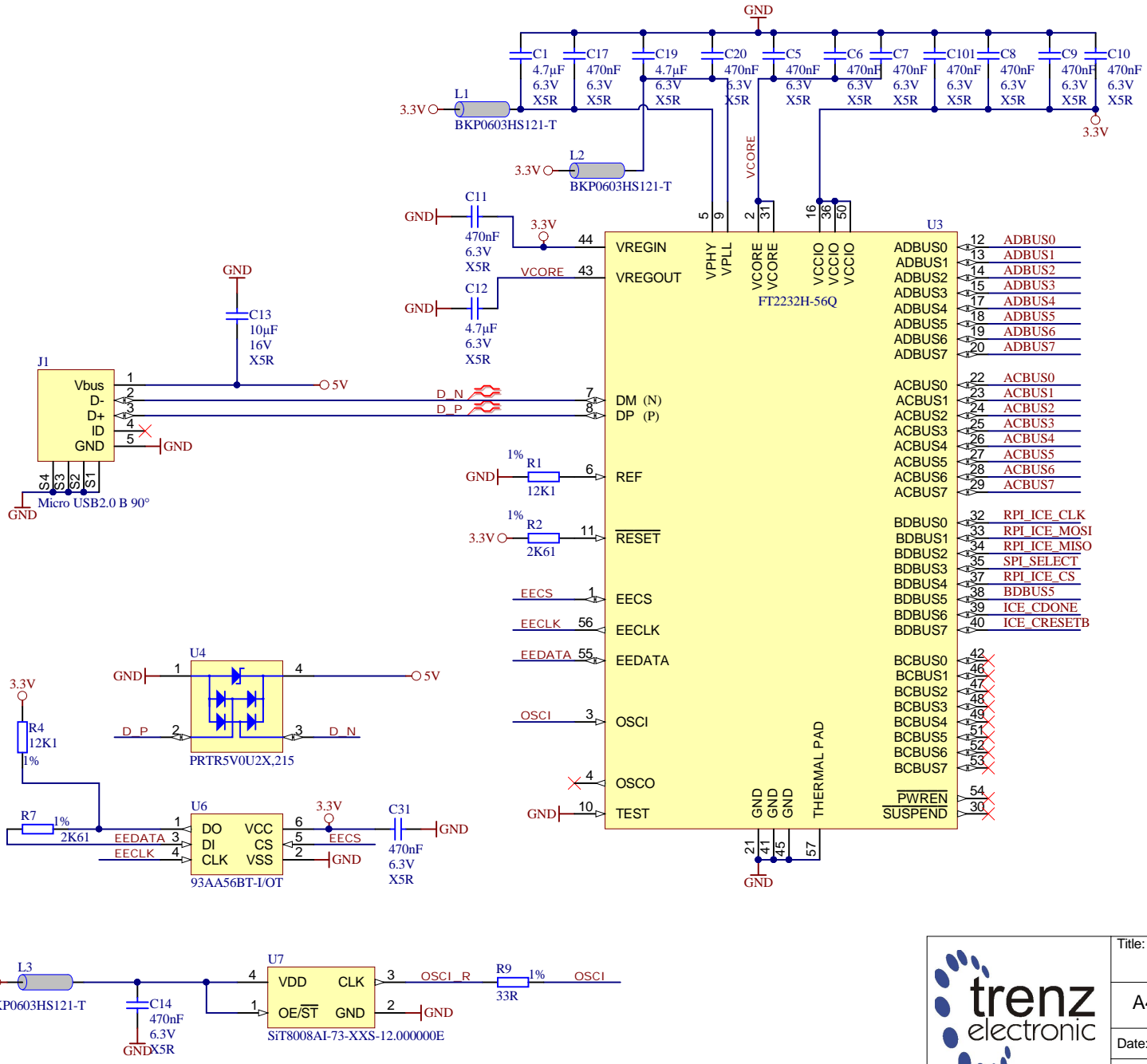


Mount.Hole 2.7mm (unplated)

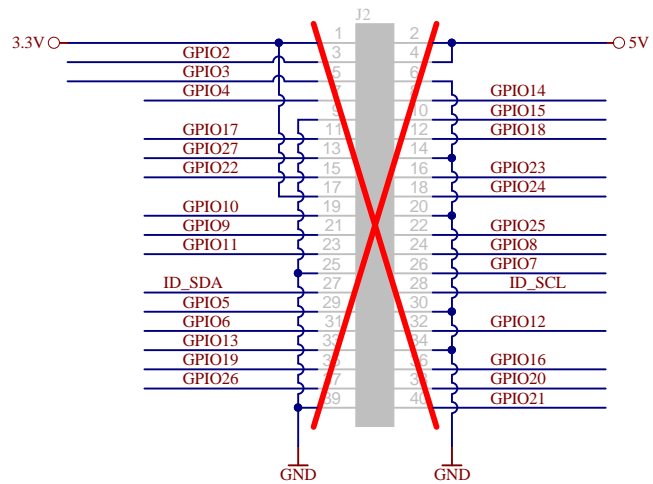
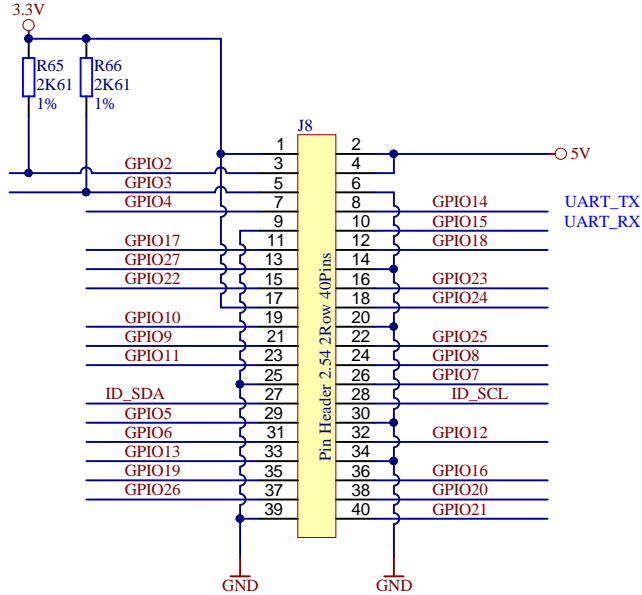
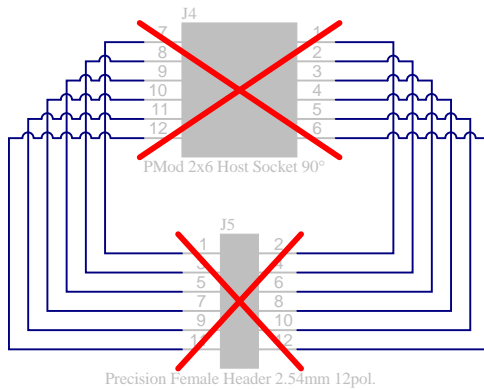
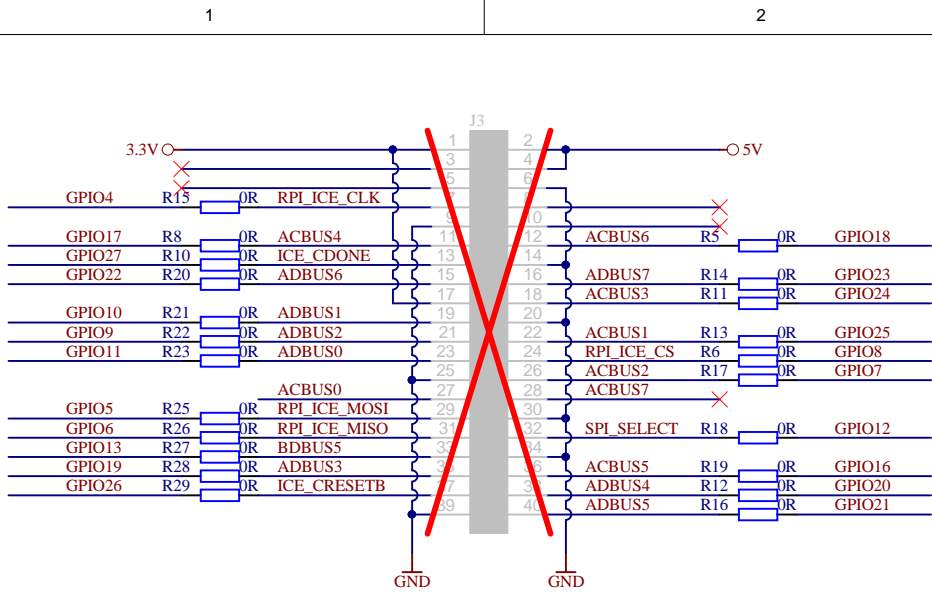


Assembly variant	Default
Created by	VT
Modified by	VT
Modified at	VariantDateModification
SVN Revision	853 [Locally Modified]

Title: TE0889		
A4	Number: TE0889 Default	Rev. 03
Date: 2020-12-01	Copyright: Trenz Electronic GmbH	Page 1 of 4
Filename: TE0889.SchDoc		



Title: TE0889		
A4	Number: TE0889 Default	Rev. 03
Date: 2020-12-01	Copyright: Trenz Electronic GmbH	Page 2 of 4
Filename: FTDI.SchDoc		



	Title: TE0889		
	A4	Number: TE0889 Default	Rev. 03
	Date: 2020-12-01	Copyright: Trenz Electronic GmbH	Page 3 of 4
	Filename: RPi-Headers.SchDoc		

1

2

3


4

CHANGES REV01 to REV02

- 1) changed micro USB connector AN26783(FCI 10118194-0001LF) to AN27235 (Würth 629105150521)
- 2) full update lib
- 3) changed connection on FTDI (U3) :
 - * added:
 - a) pin27 (ACBUS5)
 - b) pin29 (ACBUS7)
 - c) pin38 (BDBUS5)
- 4) changed connection on connector J3:
 - * replaced: net ACBUS0 from pin33 to pin27
 - * added:
 - a) pin28 (ACBUS7)
 - b) pin33 (BDBUS5)
 - c) pin36 (ACBUS5)

CHANGES REV02 to REV03 (12.2020)

- VT: 1) Full upd Lib
- VT: 2) Replaced EOL DCDC component (U1, LXDC2HL33A-055 -> EP5357HUI)
- VT: 3) Replaced fiducials
- VT: 4) Changed silkscreen on PCB
- VT: 5) Removed EOL Track-it™ Traceability Pad

	Title: TE0889 - Changes list		
	A4	Number: TE0889 Default	Rev. 03
	Date: 2020-12-01	Copyright: Trenz Electronic GmbH	Page 4 of 4
	Filename: Revision_Changes.SchDoc		

1

2

3

4