

1

2

3

4

A

A

U_FPGA
FPGA.SchDoc

Special notes:



U_SODIMM
SODIMM.SchDoc



U_CLOCK
CLOCK.SchDoc



U_POWER
POWER.SchDoc



U_CONN
CONN.SchDoc



U_CPLD
CPLD.SchDoc



B

B

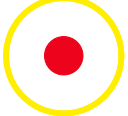
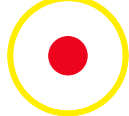
C

C

PM1

PM2

PM3



FIDU-DOT - small

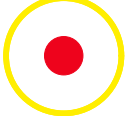
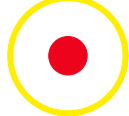
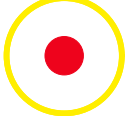
FIDU-DOT - small

FIDU-DOT - small

PM4

PM5

PM6

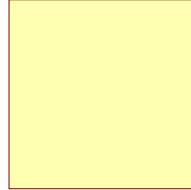


FIDU-DOT - small

FIDU-DOT - small

FIDU-DOT - small

Front Bracket screw head on Top
MECH1



Slotblende Ndigo xTDC4 Lemo

Front Bracket screw head on Bottom
MECH2



TEF1001 PCIe Frontplate

D

D

Serial
Serial
Serialnumber 6,3 x 6.3mm

LOGO1

TE Logo PRINT Layer

LOGO PRINT



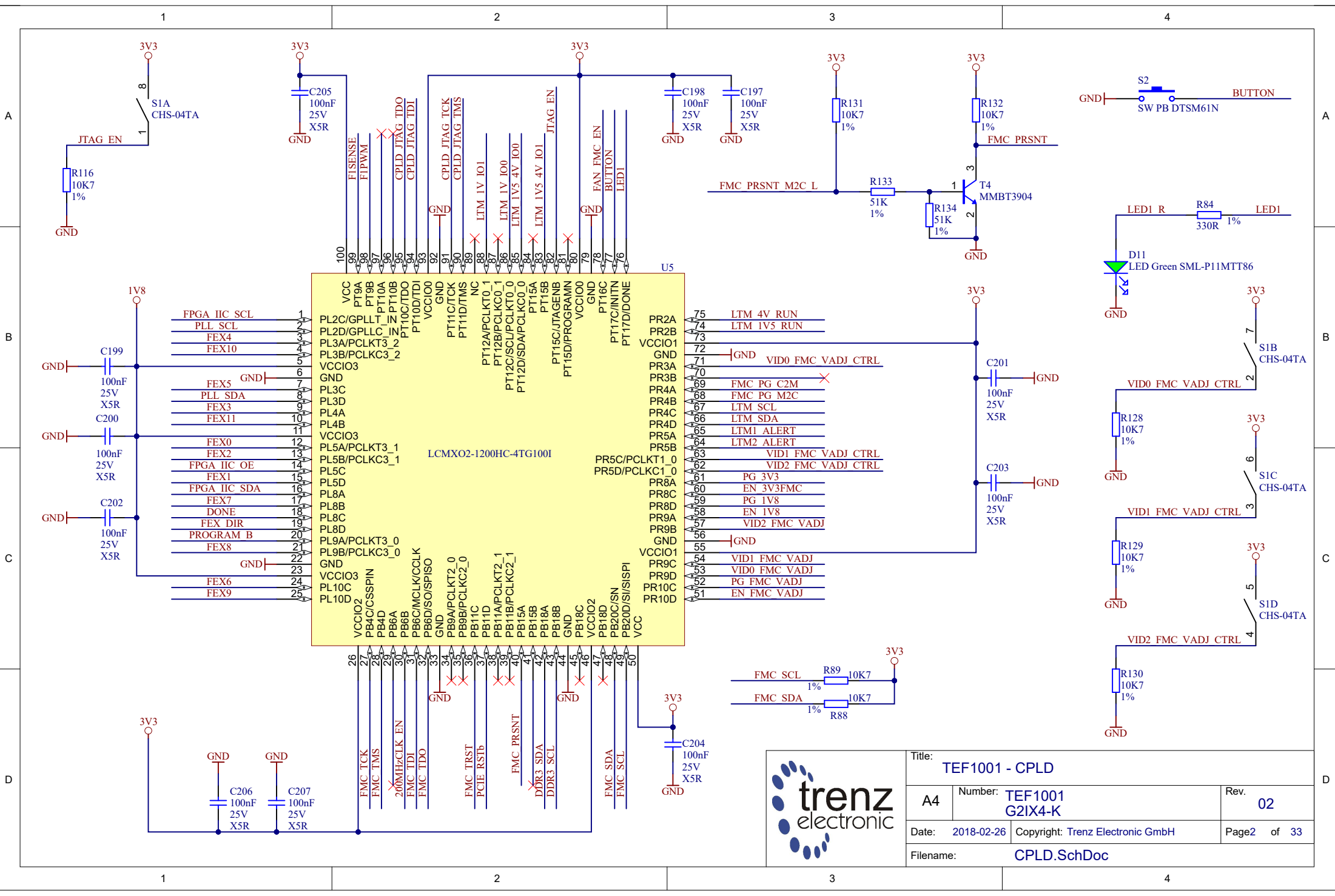
Title: TEF1001 - MAIN		
A4	Number: TEF1001 G2IX4-K	Rev. 02
Date: 2018-02-26	Copyright: Trenz Electronic GmbH	Page1 of 33
Filename: TEF1001.SchDoc		

1

2

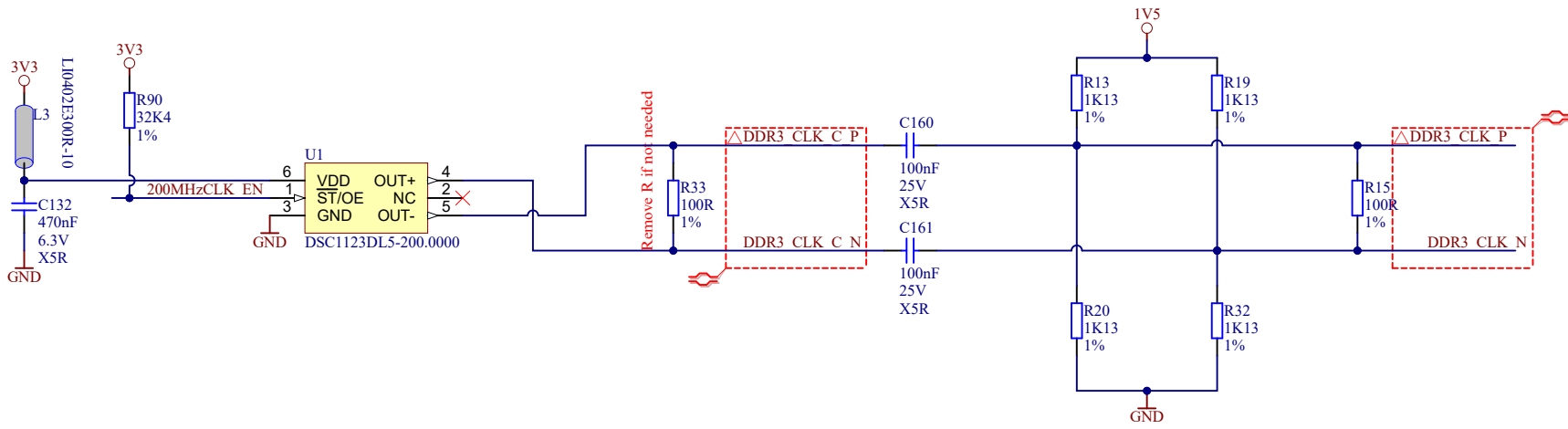
3


4

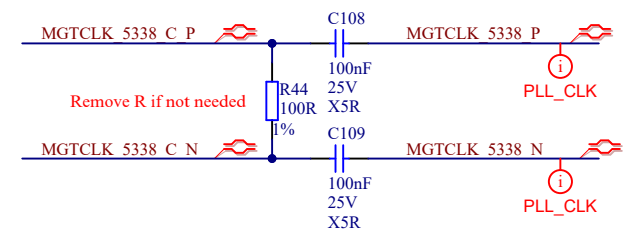
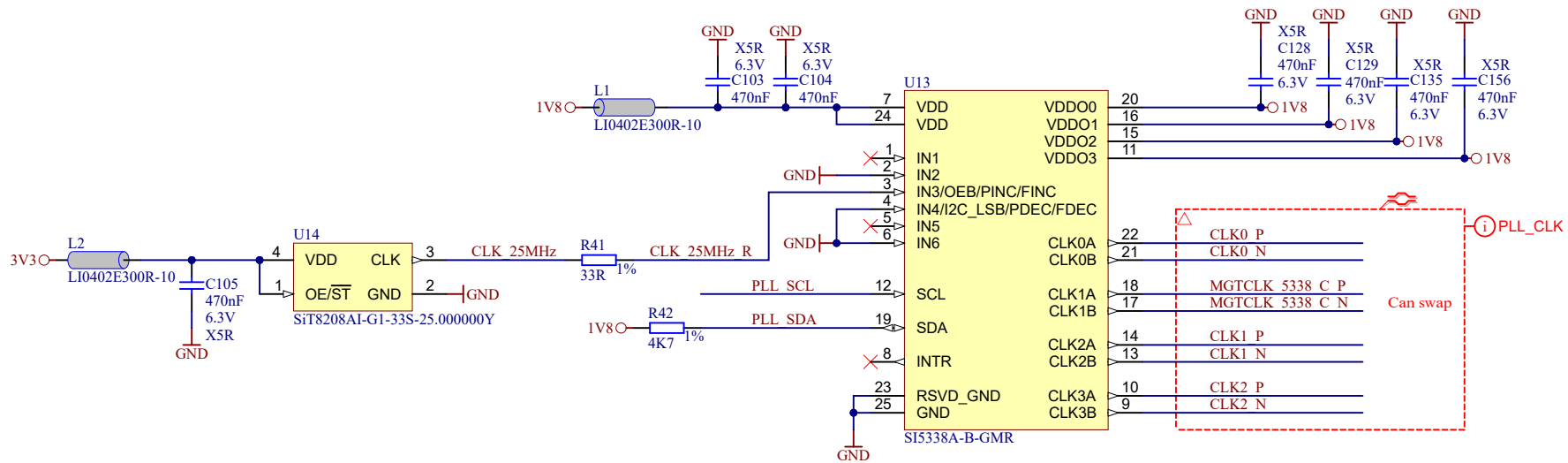



Title: TEF1001 - CPLD		
A4	Number: TEF1001 G2IX4-K	Rev. 02
Date: 2018-02-26	Copyright: Trenz Electronic GmbH	Page2 of 33
Filename: CPLD.SchDoc		

U_CLK-SI5338
CLK-SI5338.SchDoc



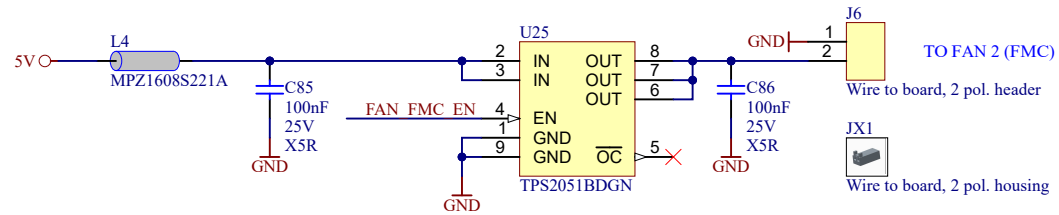
		Title: TEF1001 - CLOCK	
		A4	Number: TEF1001 G2IX4-K
Date: 2018-02-26		Copyright: Trenz Electronic GmbH	
Filename: CLOCK.SchDoc		Page 3 of 33	



			Title: TEF1001 - CLK-SI5338	
			A4	Number: TEF1001 G2IX4-K
Date: 2018-02-26		Copyright: Trenz Electronic GmbH		Page4 of 33
Filename: CLK-SI5338.SchDoc				

U_FMC
FMC.SchDoc

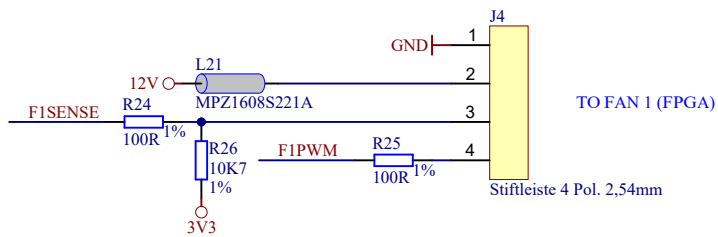
U_PCIE_CONN
PCIE_CONN.SchDoc



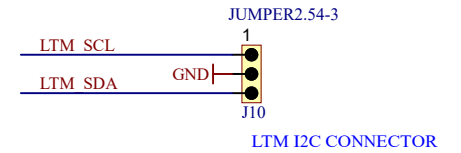
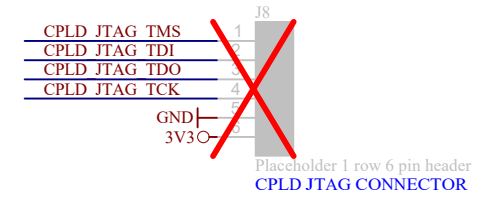
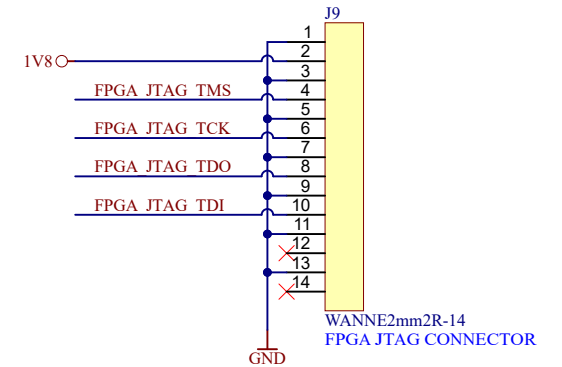
JX1
Wire to board, 2 pol. housing

JCT1
Crimp Terminal 4809, 22-30 AWG

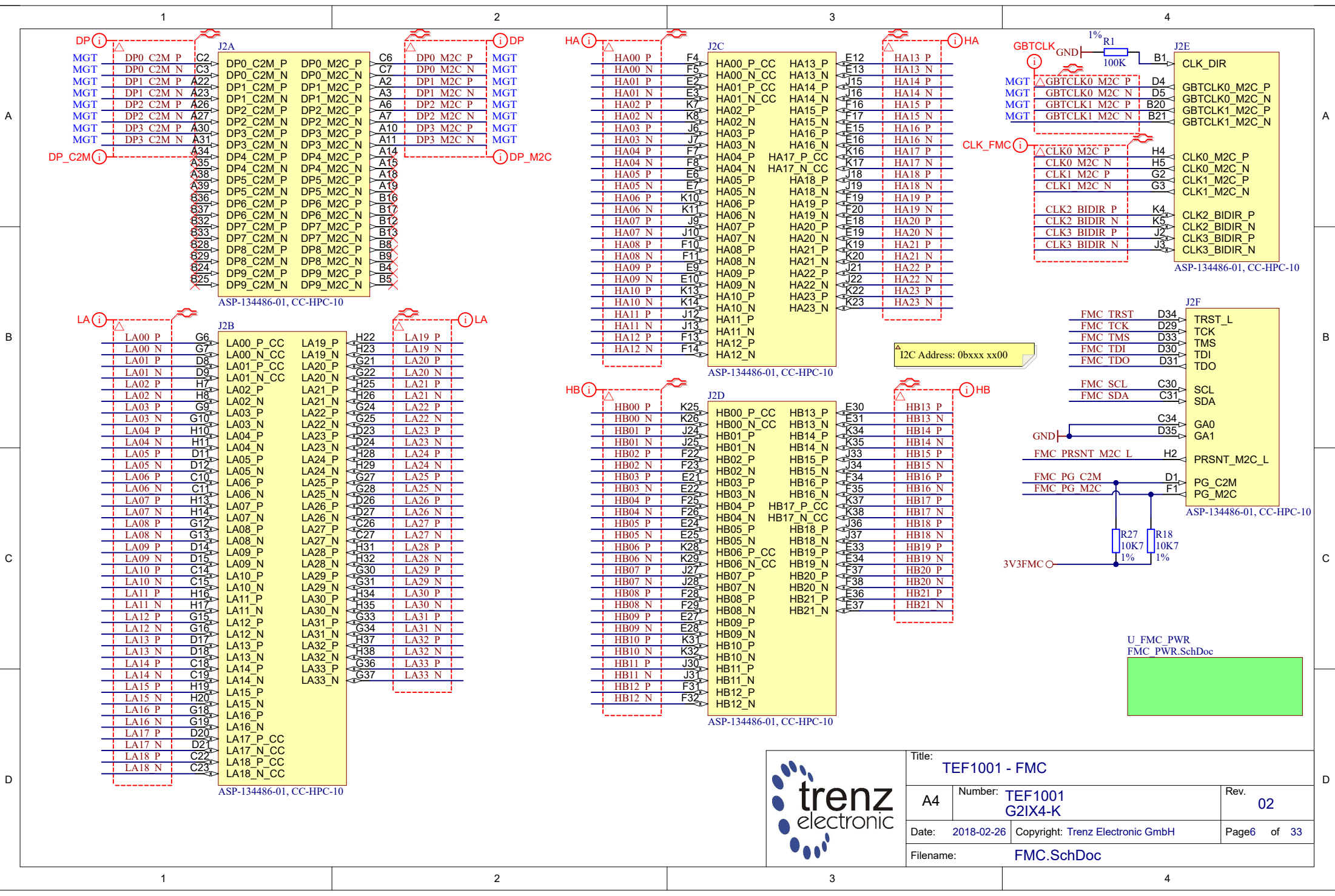
JCT2
Crimp Terminal 4809, 22-30 AWG




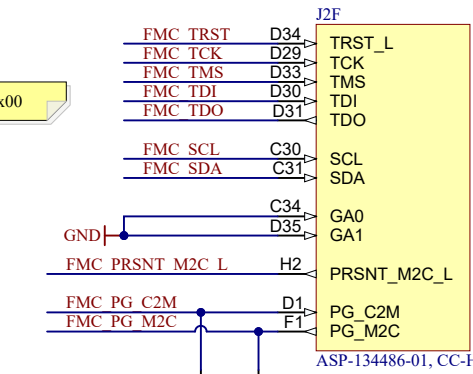
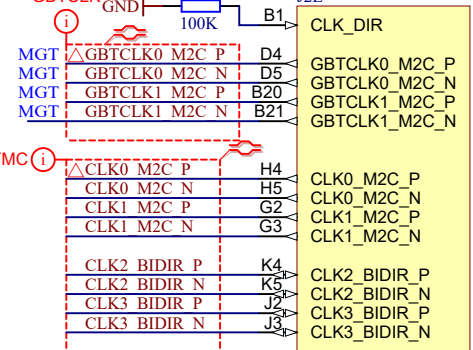
Stiftleiste 4 Pol. 2,54mm



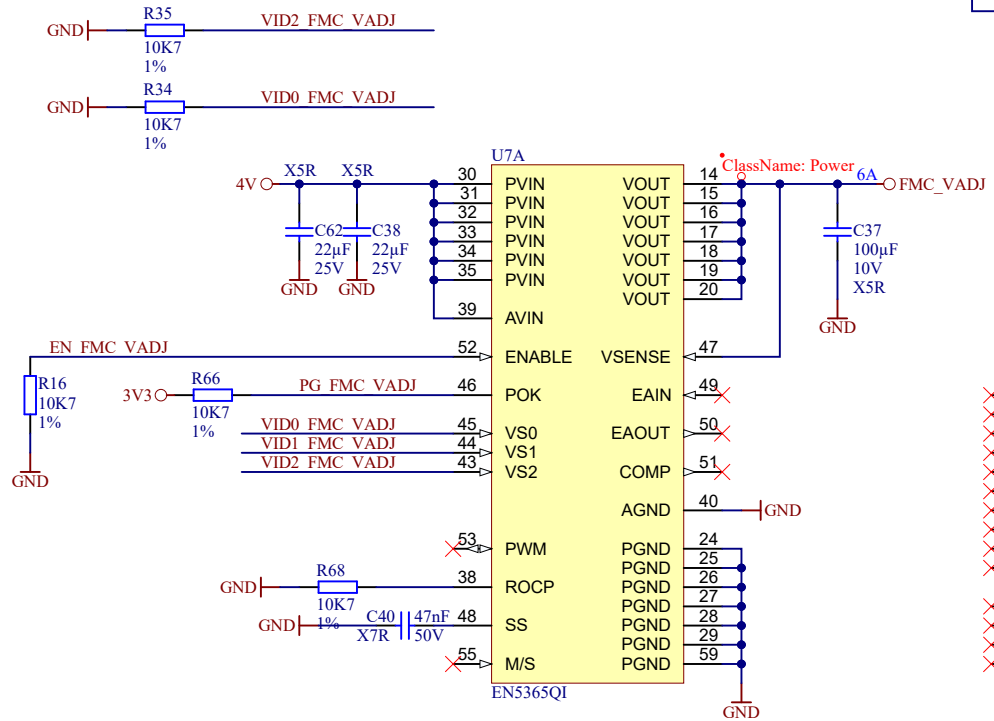
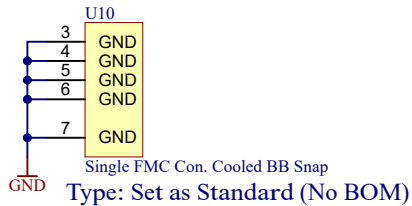
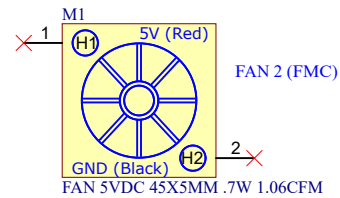
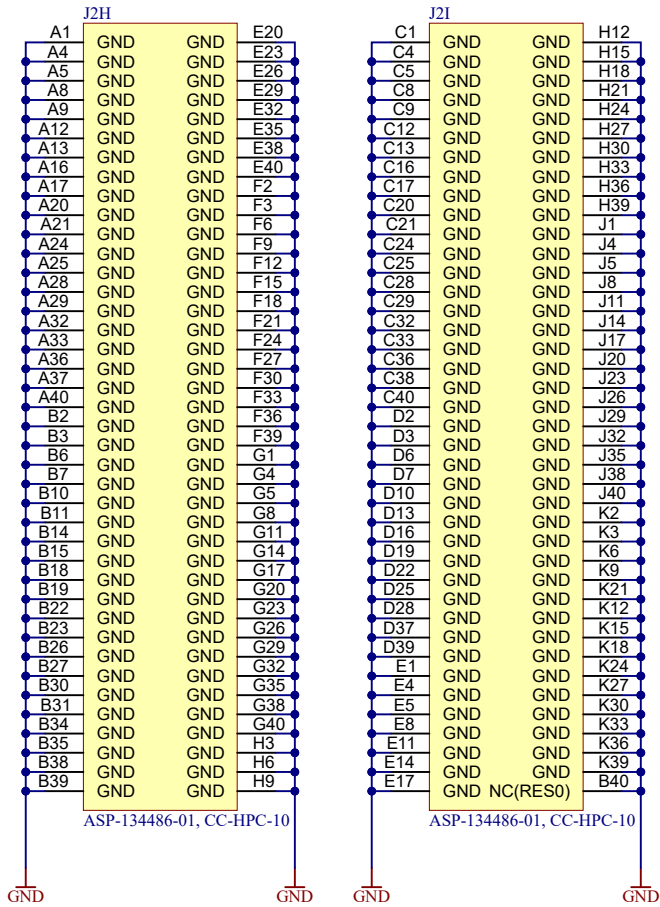
Title: TEF1001 - CONN		
A4	Number: TEF1001 G2IX4-K	Rev. 02
Date: 2018-02-26	Copyright: Trenz Electronic GmbH	Page5 of 33
Filename: CONN.SchDoc		



			Title: TEF1001 - FMC	
			A4	Number: TEF1001 G2IX4-K
Date: 2018-02-26		Copyright: Trenz Electronic GmbH		Page6 of 33
Filename: FMC.SchDoc				



U FMC_PWR
FMC_PWR.SchDoc

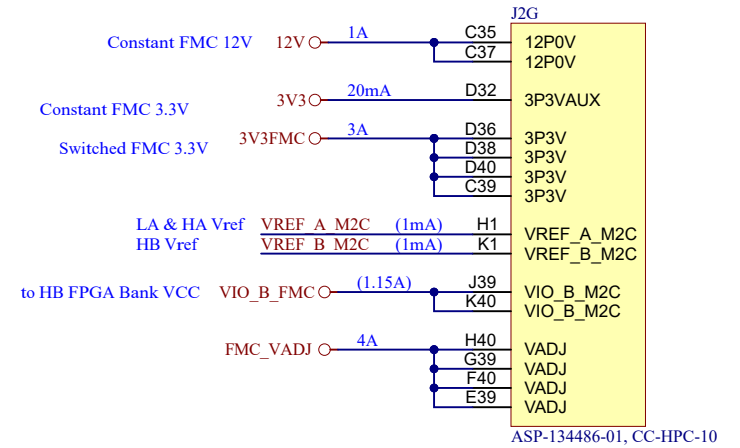


VS2 | VS1 | VS0 | Output Voltage

0	0	0	3.3V
0	0	1	2.5V
0	1	0	1.8V
0	1	1	1.5V
1	0	0	1.25V
1	0	1	1.2V



Title: TEF1001 - FMC_PWR		
A4	Number: TEF1001 G2IX4-K	Rev. 02
Date: 2018-02-26	Copyright: Trenz Electronic GmbH	Page 7 of 33
Filename: FMC_PWR.SchDoc		



1

2

3

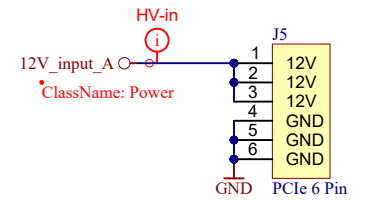
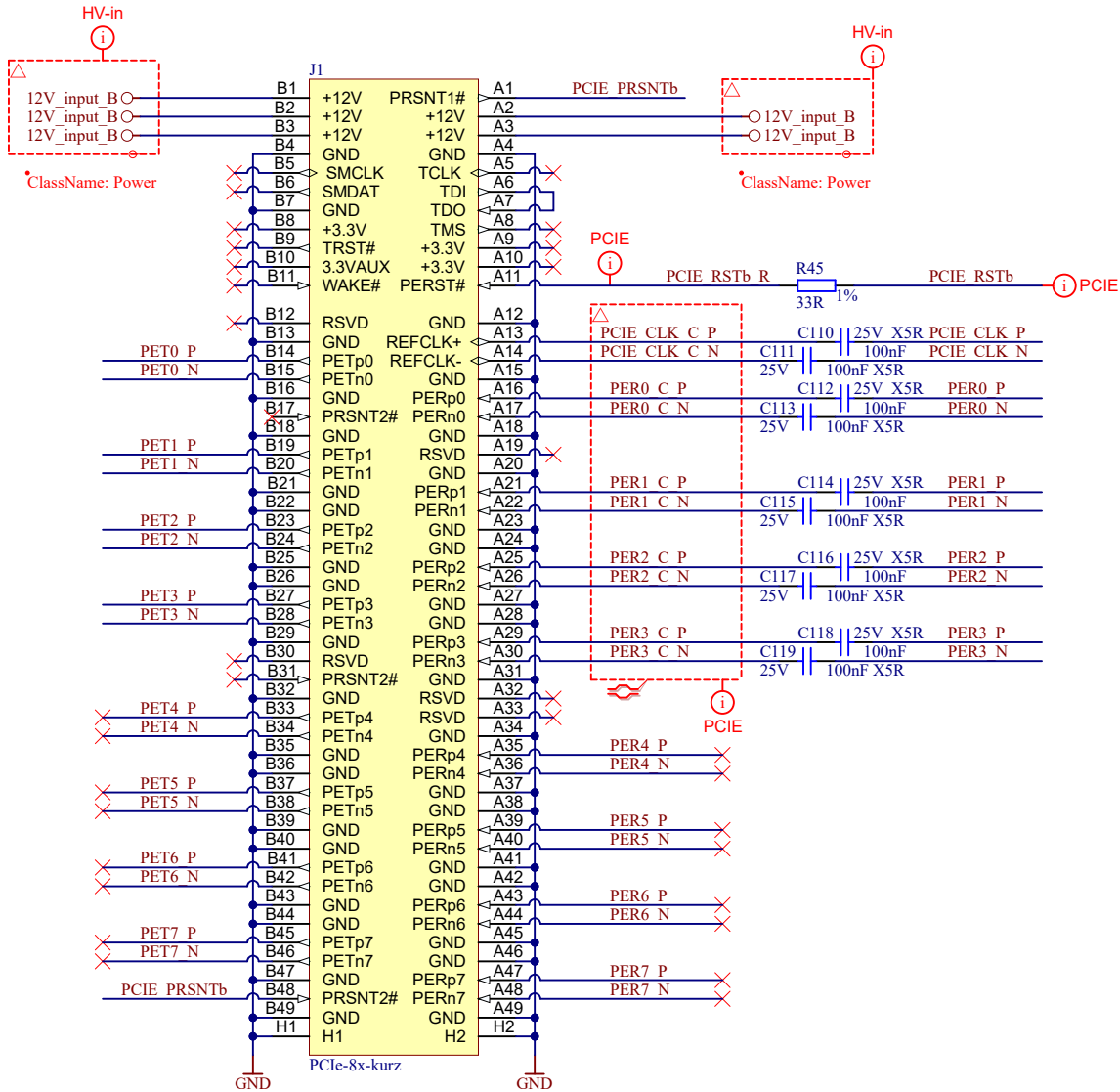
4


1

2

3

4



		Title: TEF1001 - PCIE CONNECTOR	
		A4	Number: TEF1001 G2IX4-K
Date: 2018-02-26		Copyright: Trenz Electronic GmbH	
Page 8		of 33	
Filename: PCIE_CONN.SchDoc			

1

2

3

4

U_FPGA_BANK_12
FPGA_BANK_12.SchDoc

U_FPGA_MGT_BANKS
FPGA_MGT_BANKS.SchDoc

U_FPGA_BANK_13
FPGA_BANK_13.SchDoc

U_FPGA_CFG
FPGA_CFG.SchDoc

U_FPGA_BANK_14
FPGA_BANK_14.SchDoc

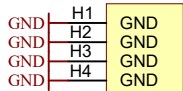
U_DDR_Banks
DDR_Banks.SchDoc

U_FPGA_BANK_15
FPGA_BANK_15.SchDoc

U_FPGA_POWER
FPGA_POWER.SchDoc

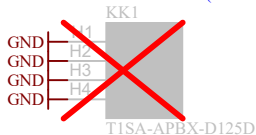
U_FPGA_BANK_16
FPGA_BANK_16.SchDoc

HEATSINK TYPE 2 (FPGA)
KK2

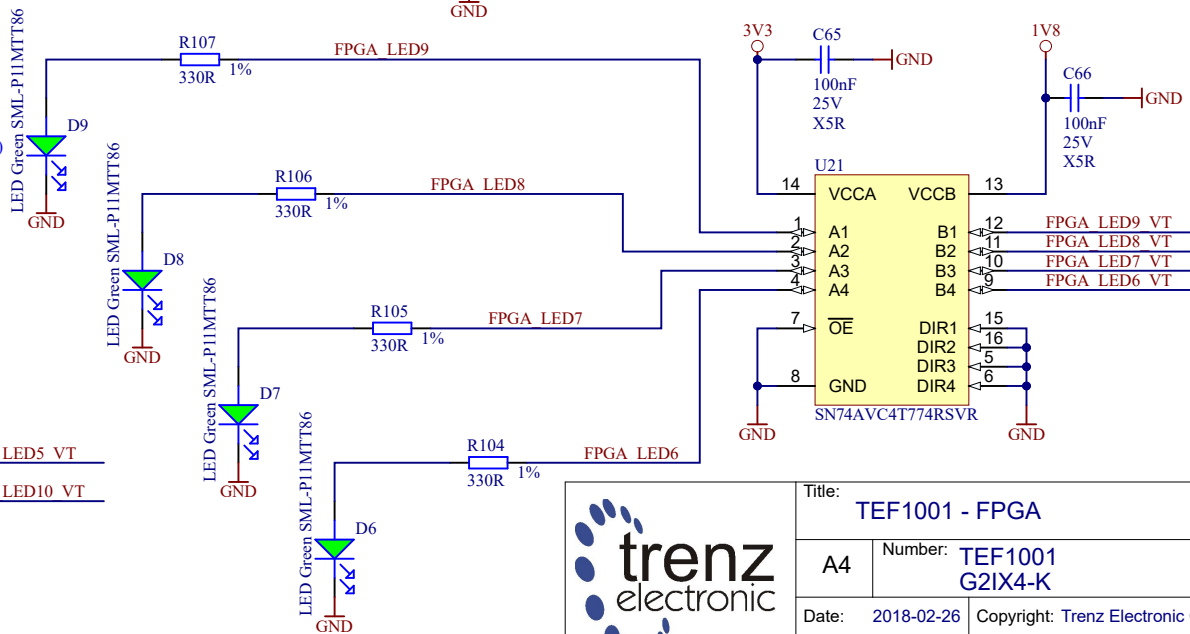
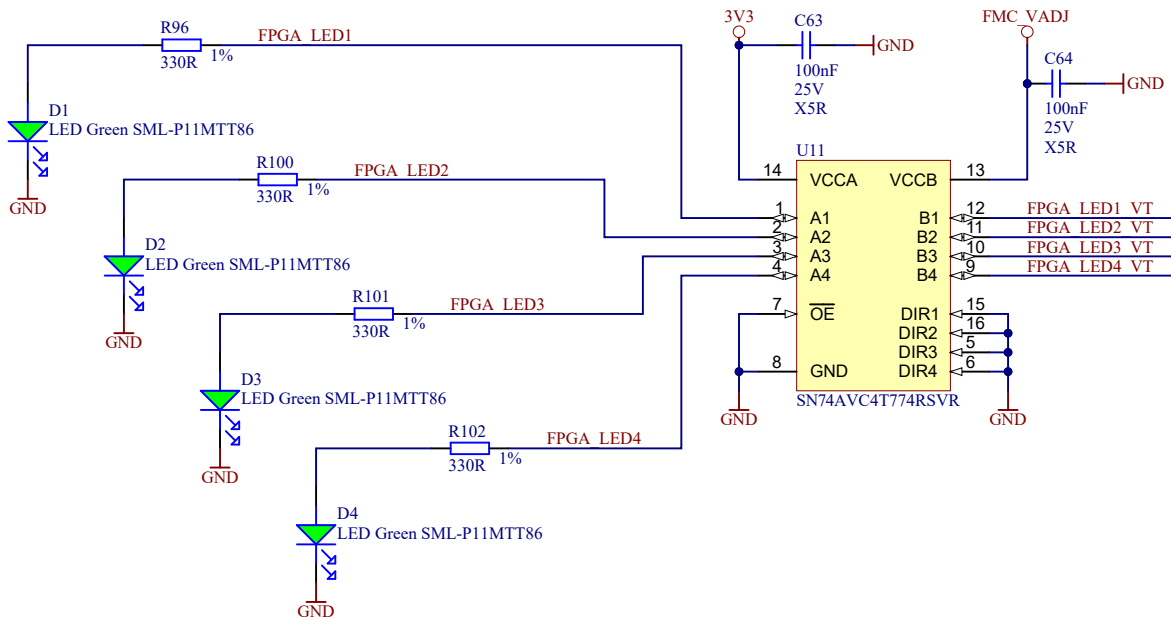
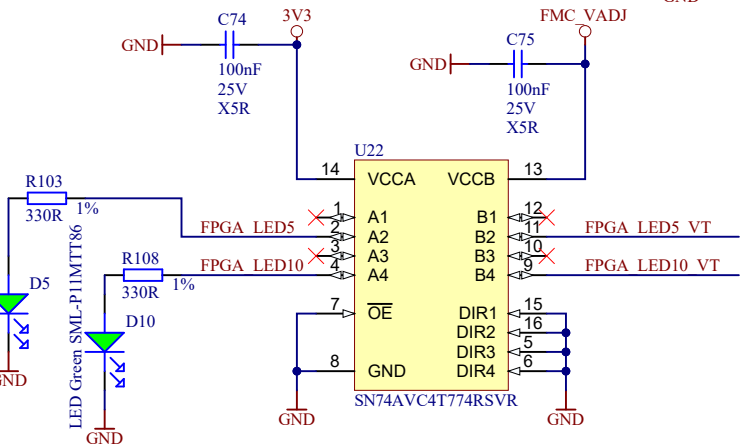


ATS-FPS058061011-40-C2-R0

HEATSINK TYPE 1 (FPGA)
KK1



TISA-APBX-D125D



Title: TEF1001 - FPGA		
A4	Number: TEF1001 G2IX4-K	Rev. 02
Date: 2018-02-26	Copyright: Trenz Electronic GmbH	Page9 of 33
Filename: FPGA.SchDoc		

A

A

B

B

C

C

D

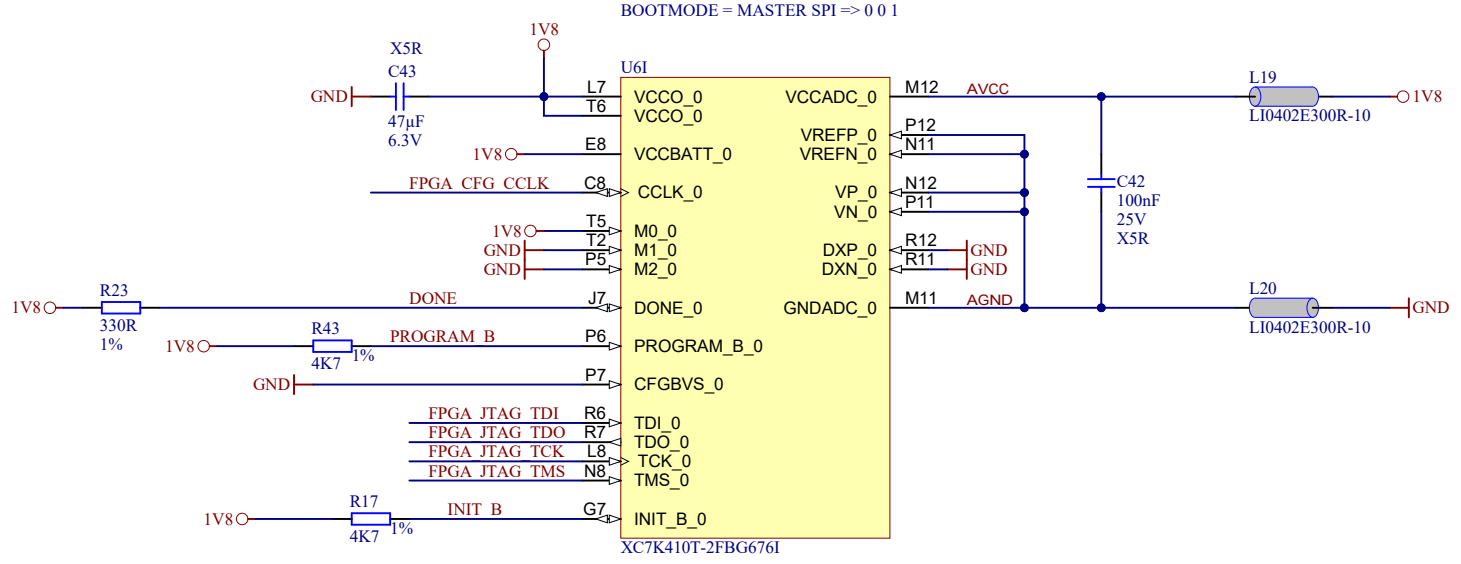
D


1

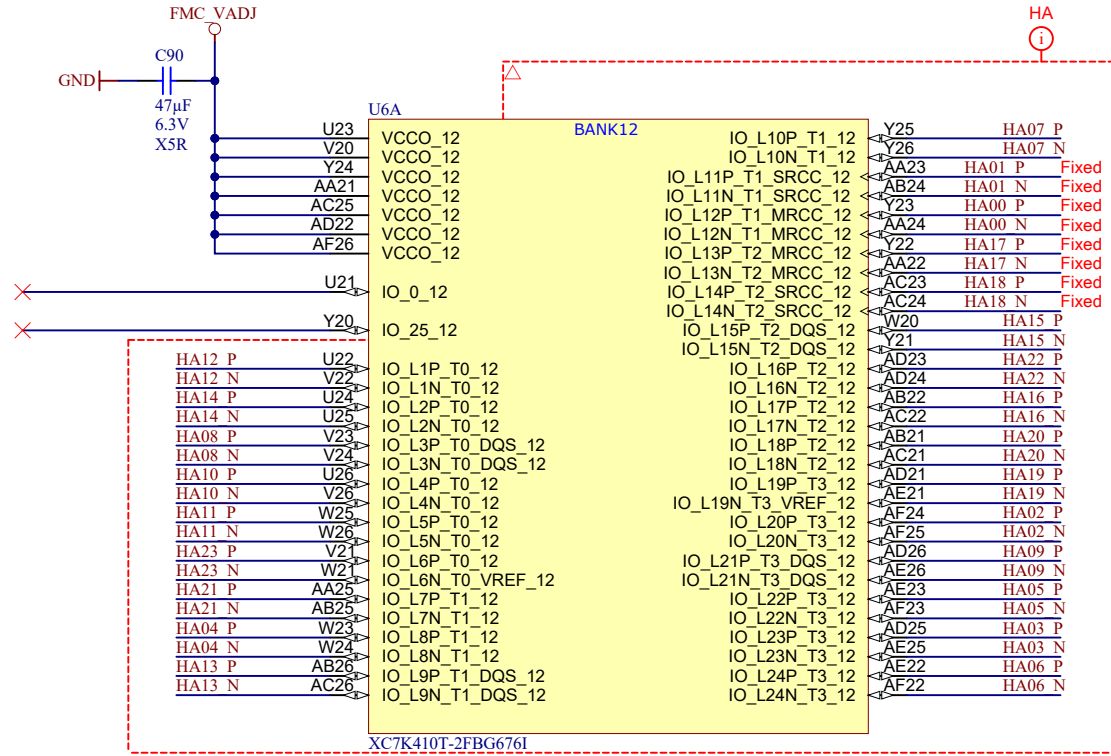
2


3

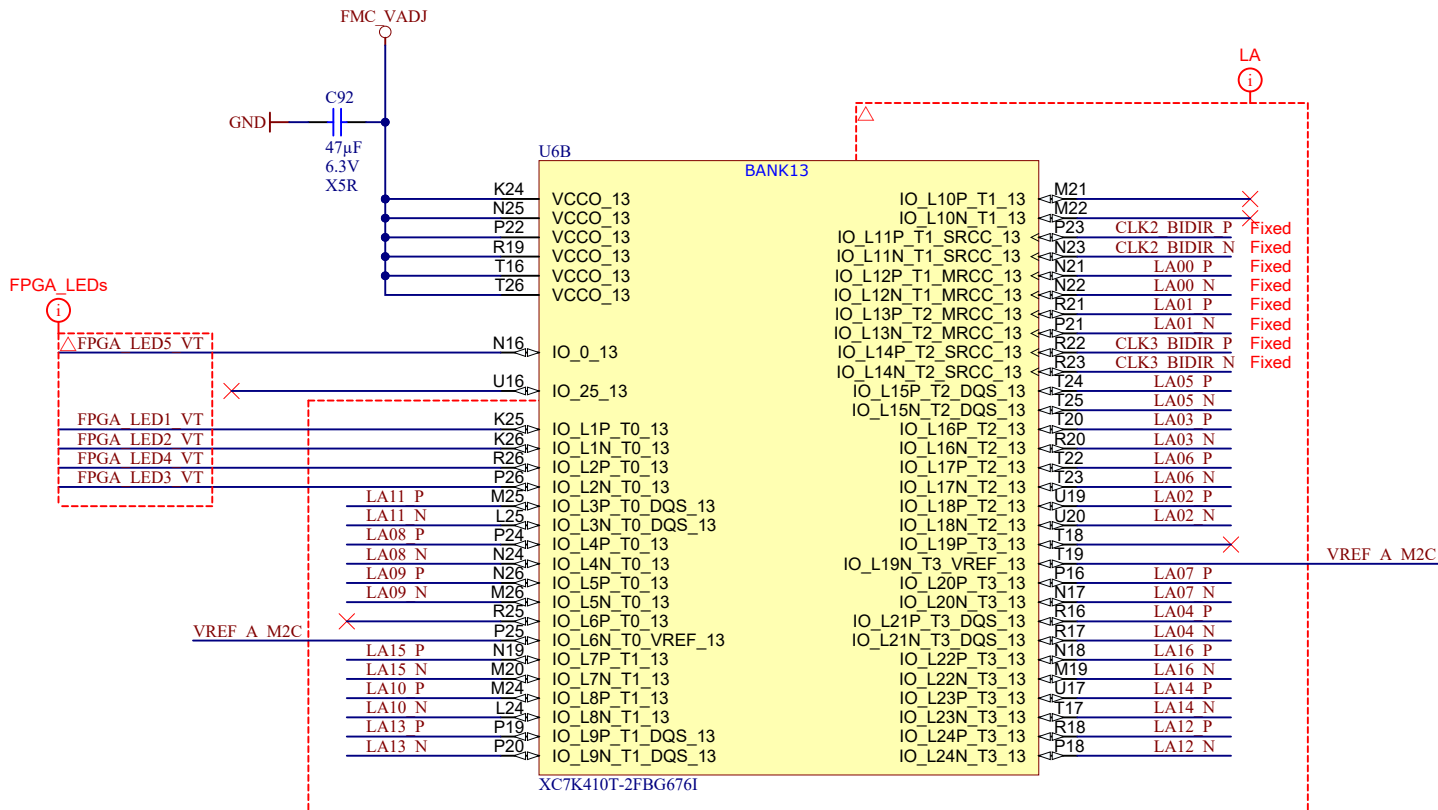
4



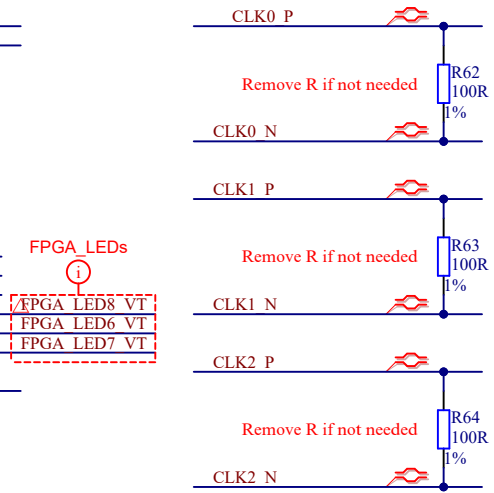
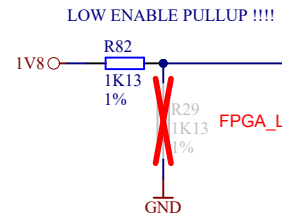
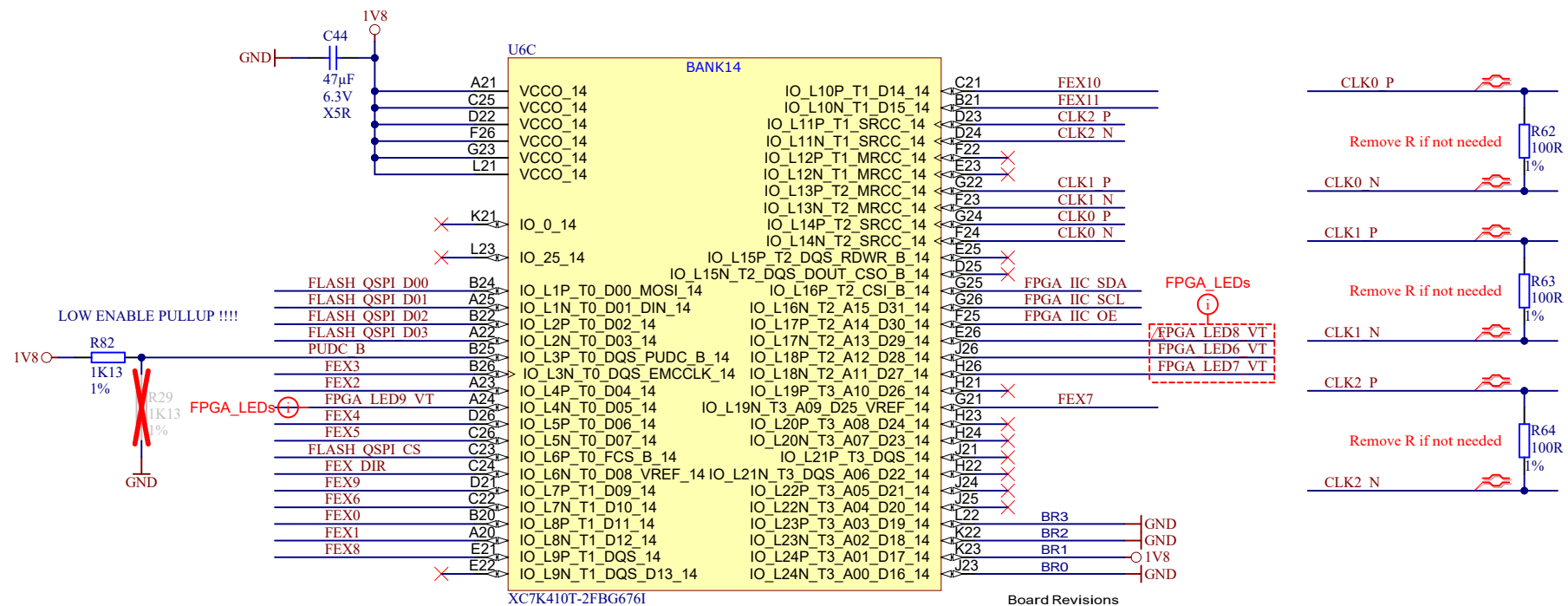
	Title: TEF1001 - FPGA_CFG		
	A4	Number: TEF1001 G2IX4-K	Rev. 02
	Date: 2018-02-26	Copyright: Trenz Electronic GmbH	Page 10 of 33
	Filename: FPGA_CFG.SchDoc		



	Title: TEF1001 - FPGA_BANK_12		
	A4	Number: TEF1001 G2IX4-K	Rev. 02
	Date: 2018-02-26	Copyright: Trenz Electronic GmbH	Page 11 of 33
	Filename: FPGA_BANK_12.SchDoc		

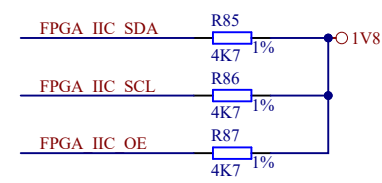
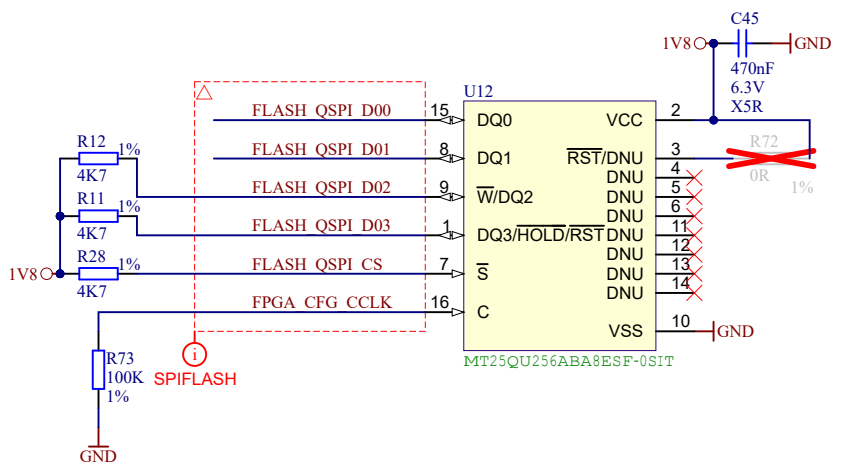


Title: TEF1001 - FPGA_BANK_13		
A4	Number: TEF1001 G2IX4-K	Rev. 02
Date: 2018-02-26	Copyright: Trenz Electronic GmbH	Page 12 of 33
Filename: FPGA_BANK_13.SchDoc		

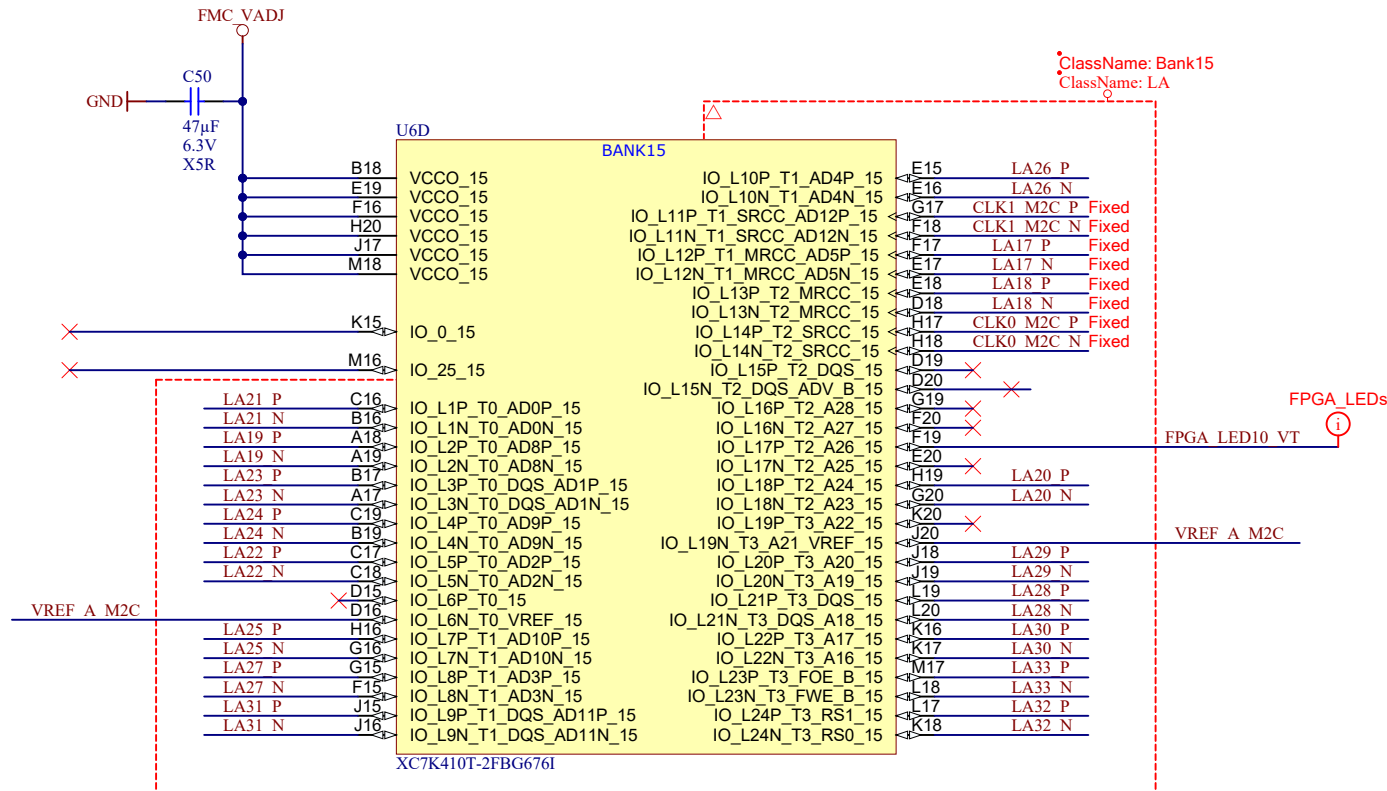


Board Revisions

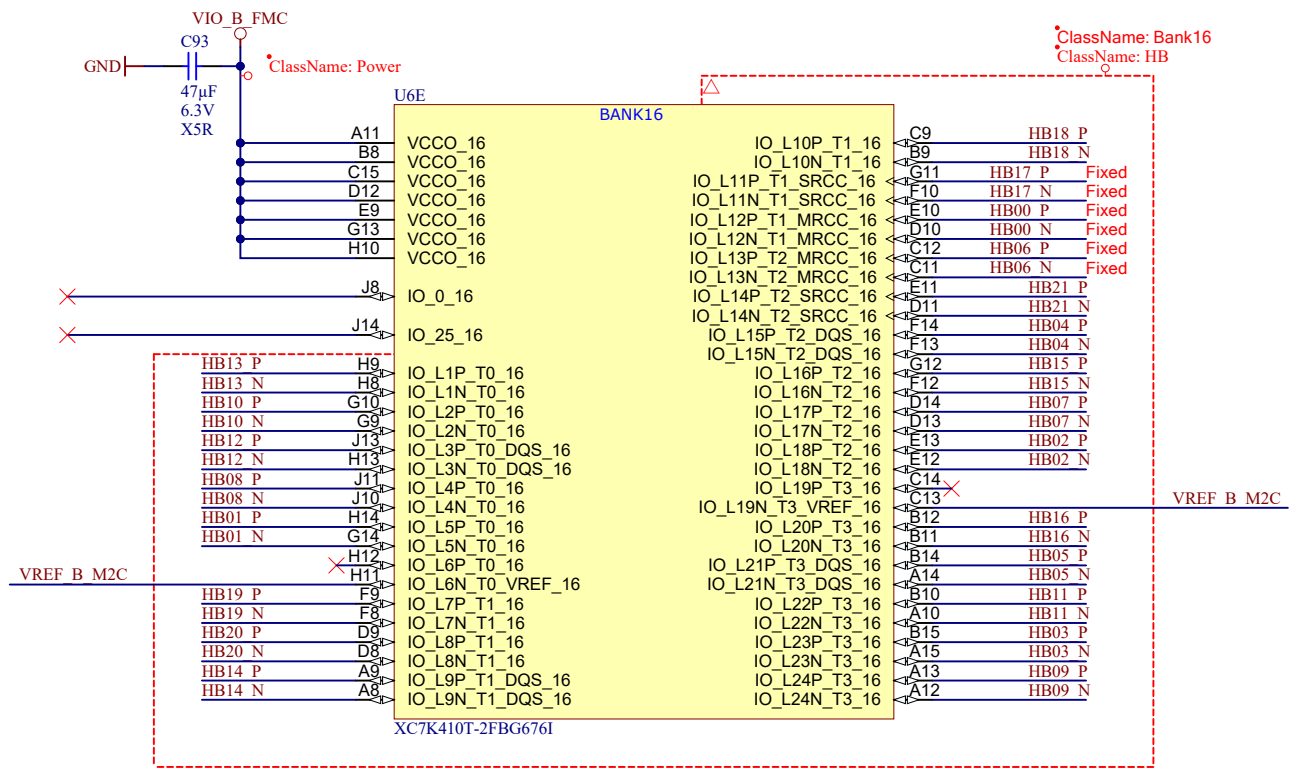
BR0	BR1	BR2	BR3	
1	0	0	0	REV01
0	1	0	0	REV02



Title: TEF1001 - FPGA_BANK_14		
A4	Number: TEF1001 G2IX4-K	Rev. 02
Date: 2018-02-26	Copyright: Trenz Electronic GmbH	Page13 of 33
Filename: FPGA_BANK_14.SchDoc		



Title: TEF1001 - FPGA_BANK_15		
A4	Number: TEF1001 G2IX4-K	Rev. 02
Date: 2018-02-26	Copyright: Trenz Electronic GmbH	Page 14 of 33
Filename: FPGA_BANK_15.SchDoc		



Title: TEF1001 - FPGA_BANK_16		
A4	Number: TEF1001 G2IX4-K	Rev. 02
Date: 2018-02-26	Copyright: Trenz Electronic GmbH	Page15 of 33
Filename: FPGA_BANK_16.SchDoc		

1

2

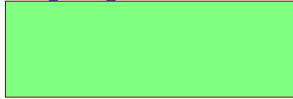
3

4

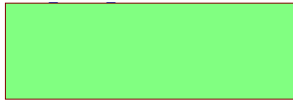
A

A

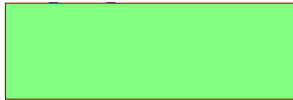
U_FPGA_BANK_32
FPGA_BANK_32.SchDoc



U_FPGA_BANK_33
FPGA_BANK_33.SchDoc



U_FPGA_BANK_34
FPGA_BANK_34.SchDoc



B

B

C

C

D


D

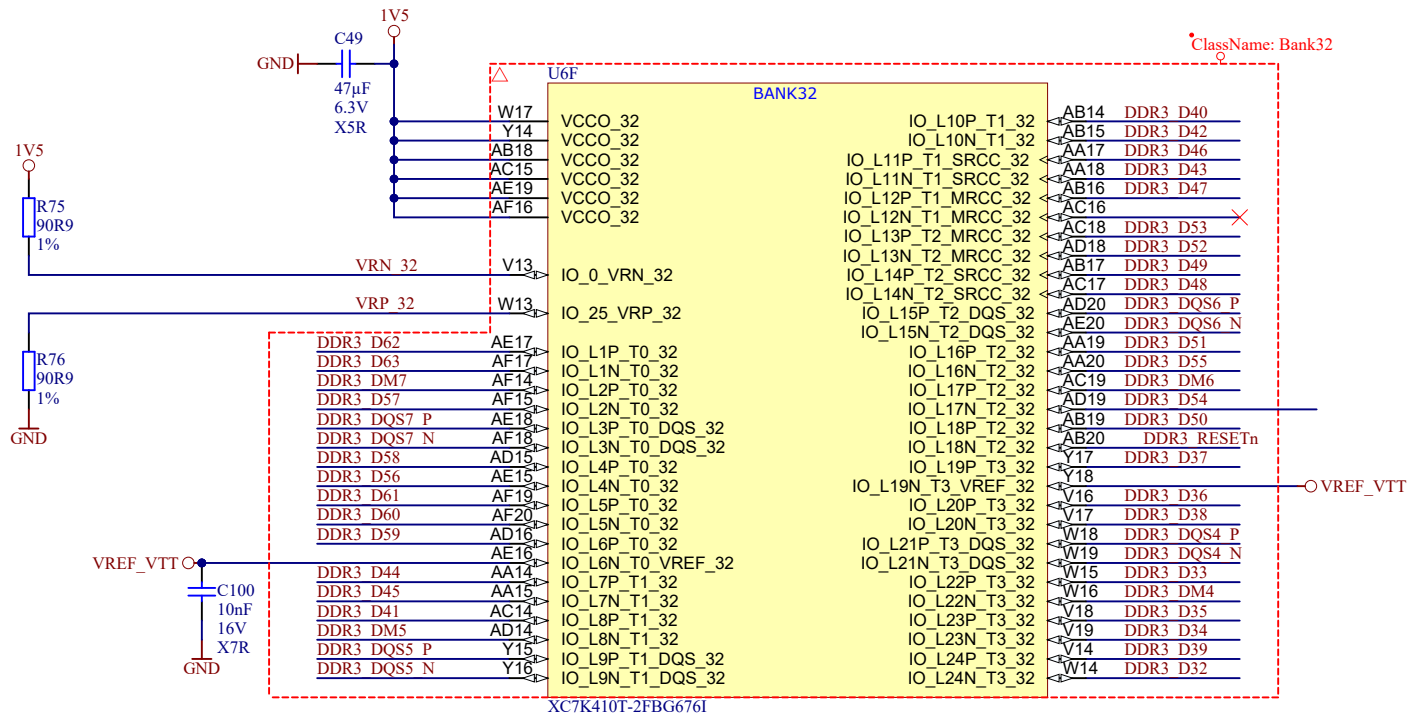
1

2

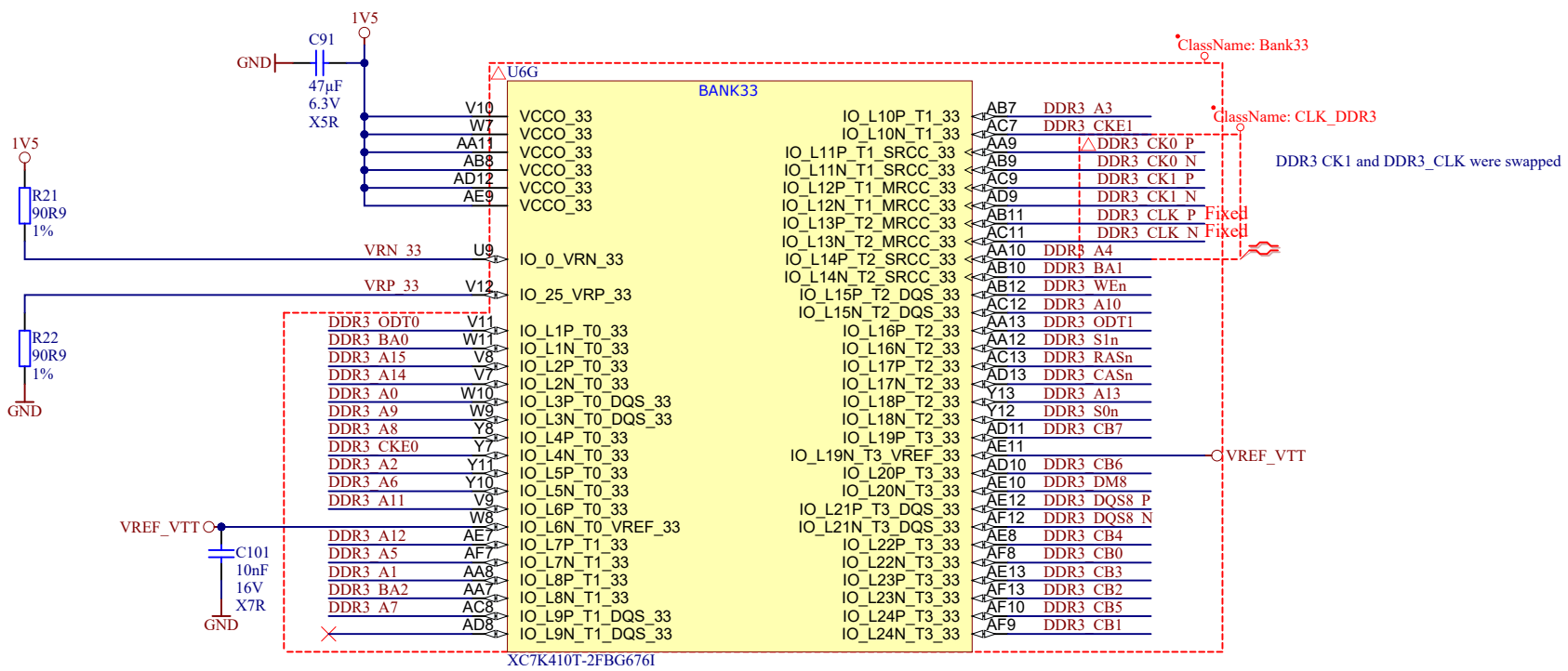
3

4

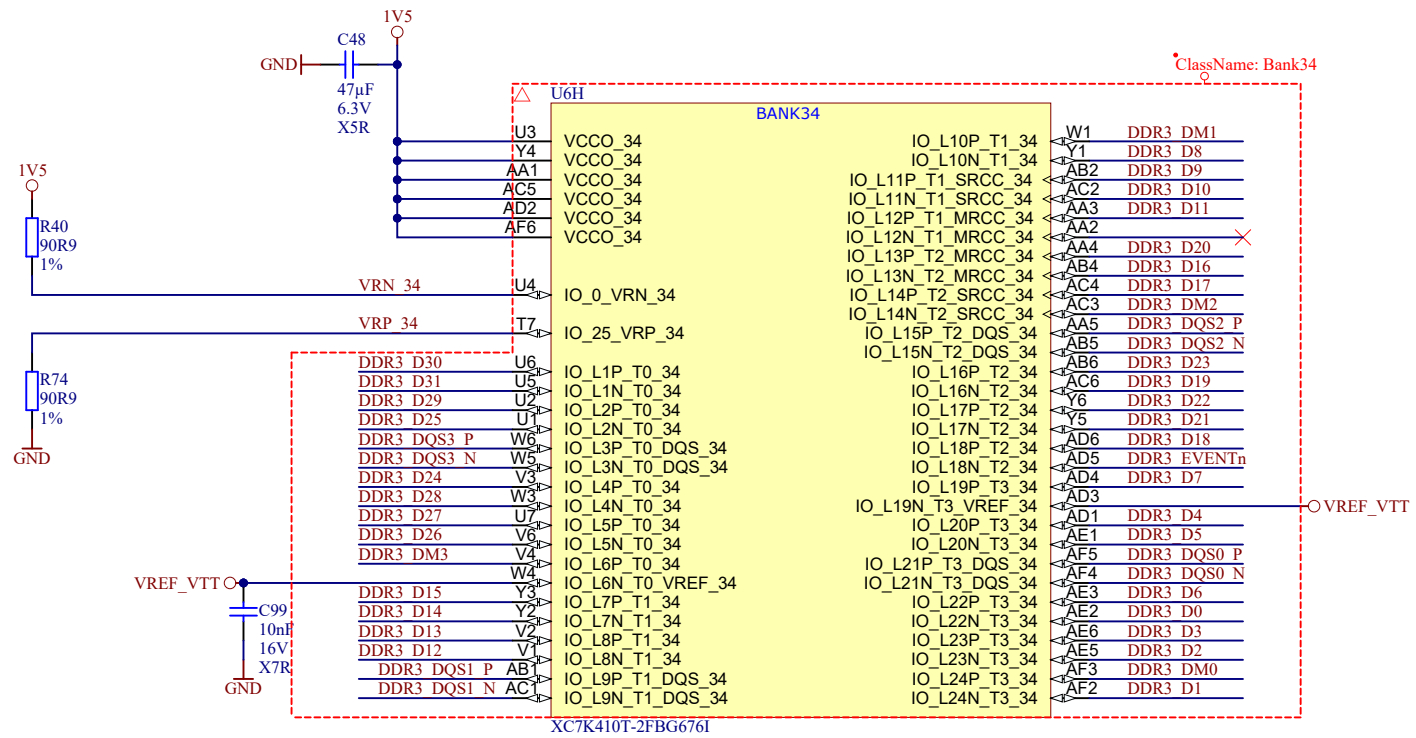
		Title: TEF1001 - DDR_BANKS	
		A4	Number: TEF1001 G2IX4-K
Date: 2018-02-26		Copyright: Trenz Electronic GmbH	
Filename: DDR_Banks.SchDoc		Page 16 of 33	



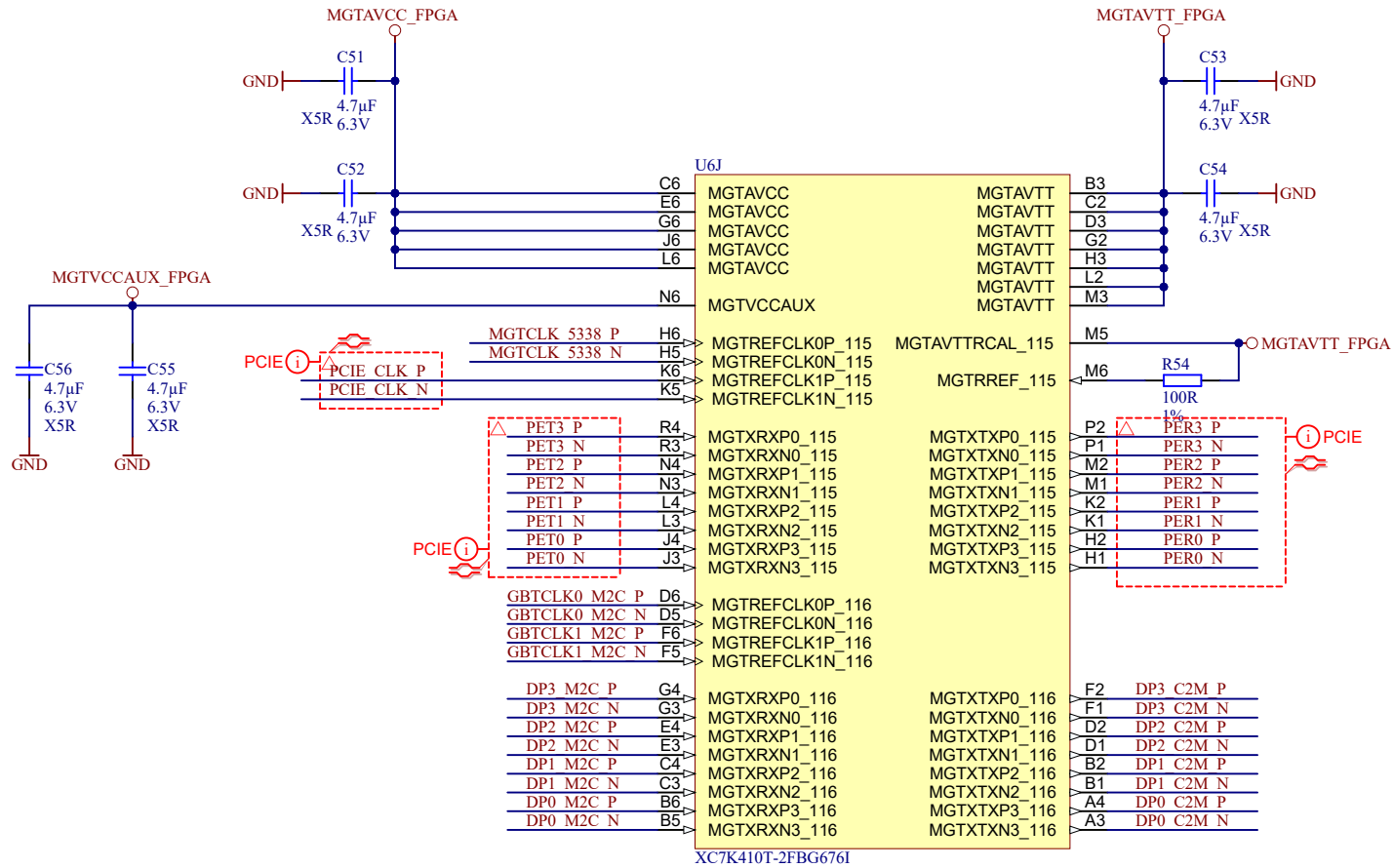
Title: TEF1001 - FPGA_BANK_32		
A4	Number: TEF1001 G2IX4-K	Rev. 02
Date: 2018-02-26	Copyright: Trenz Electronic GmbH	Page 17 of 33
Filename: FPGA_BANK_32.SchDoc		



Title: TEF1001 - FPGA_BANK_33		
A4	Number: TEF1001 G2IX4-K	Rev. 02
Date: 2018-02-26	Copyright: Trenz Electronic GmbH	Page 18 of 33
Filename: FPGA_BANK_33.SchDoc		



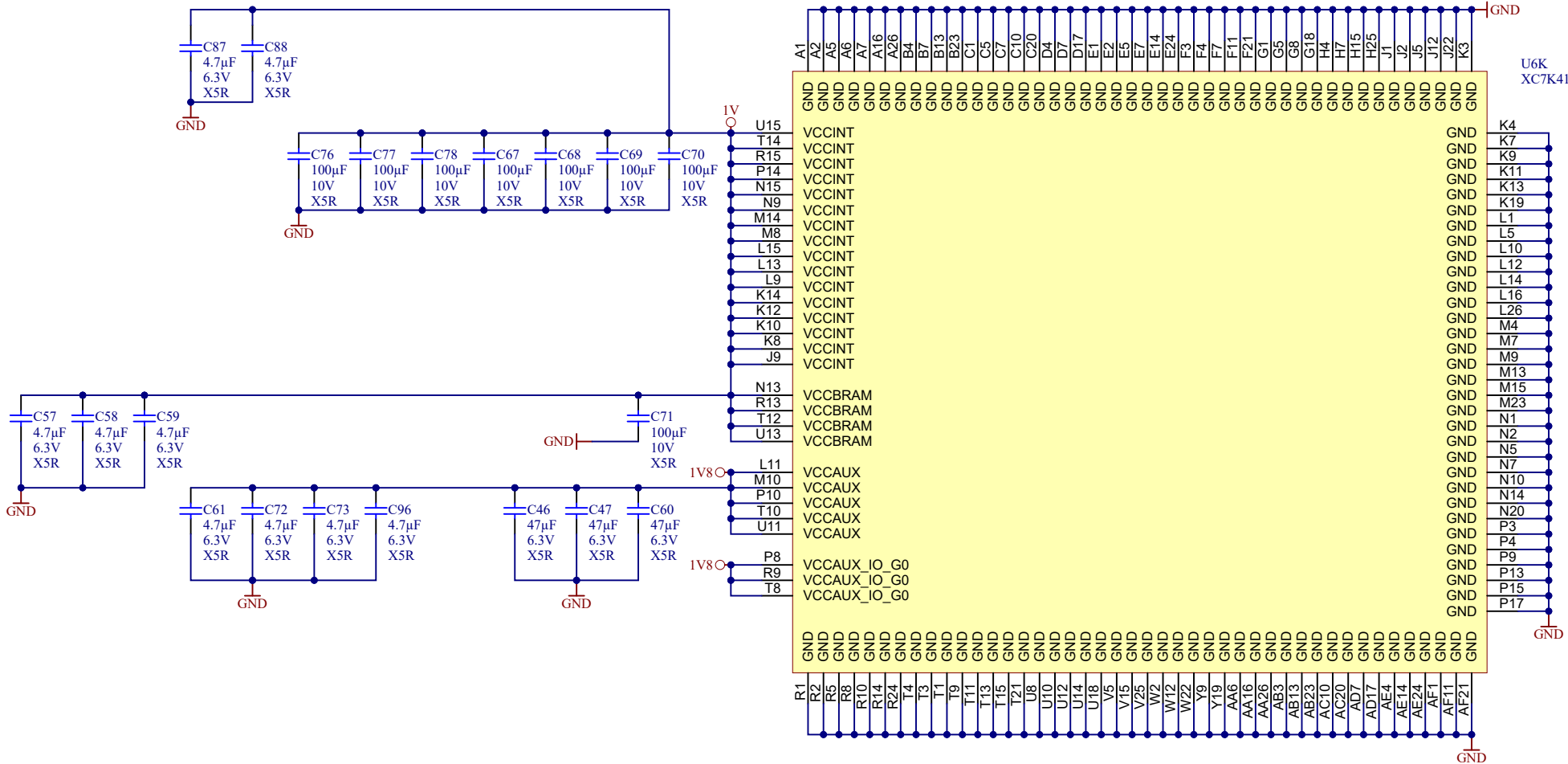
Title: TEF1001 - FPGA_BANK_34		
A4	Number: TEF1001 G2IX4-K	Rev. 02
Date: 2018-02-26	Copyright: Trenz Electronic GmbH	Page 19 of 33
Filename: FPGA_BANK_34.SchDoc		



XC7K410T-2FBG6761



Title: TEF1001_FPGA_MGT_BANKS		
A4	Number: TEF1001 G2IX4-K	Rev. 02
Date: 2018-02-26	Copyright: Trenz Electronic GmbH	Page20 of 33
Filename: FPGA_MGT_BANKS.SchDoc		



Title: TEF1001 - FPGA_POWER		
A4	Number: TEF1001 G2IX4-K	Rev. 02
Date: 2018-02-26	Copyright: Trenz Electronic GmbH	Page21 of 33
Filename: FPGA_POWER.SchDoc		

A

B

C

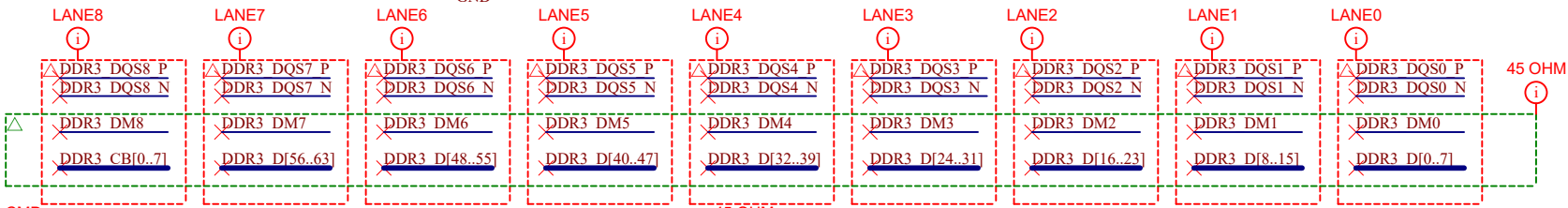
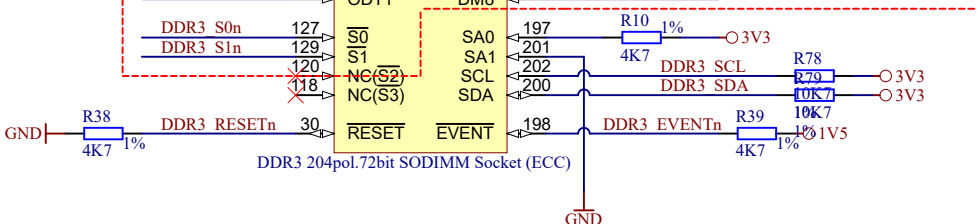
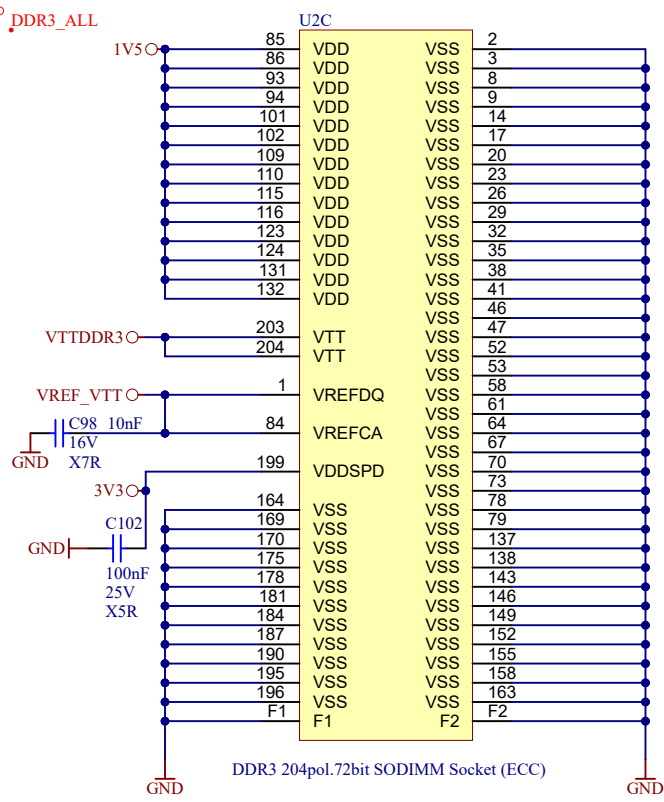
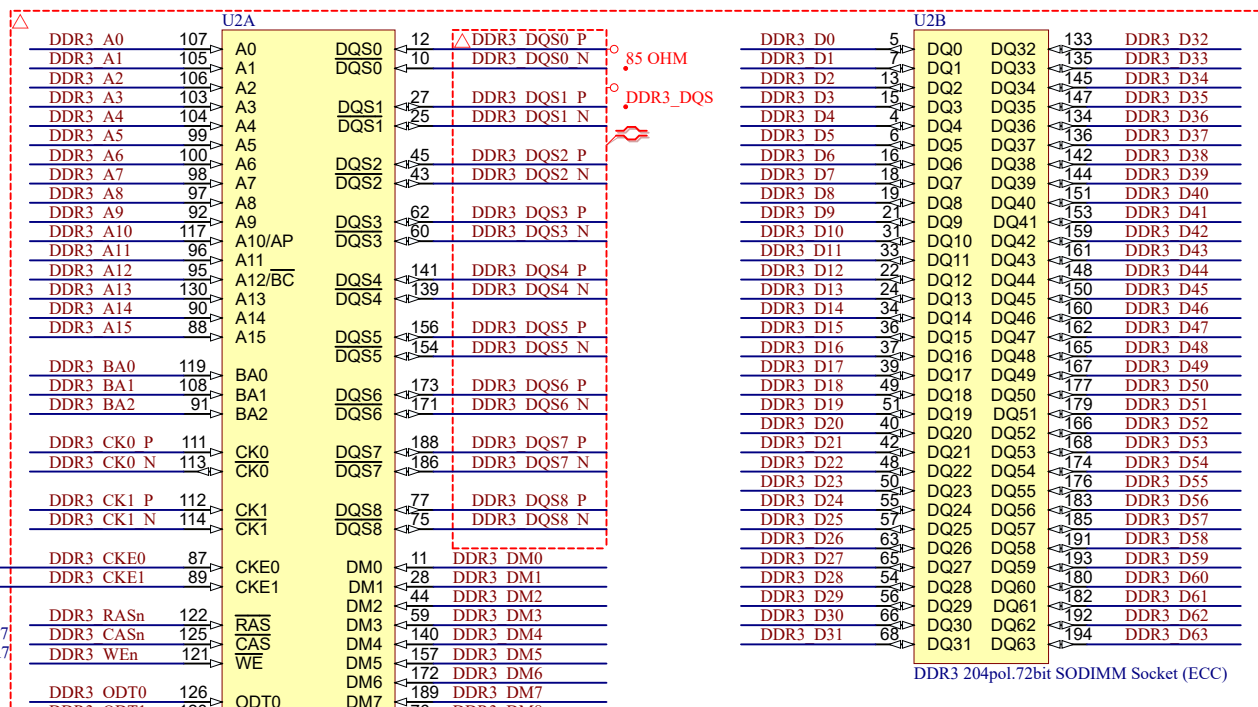
D

A

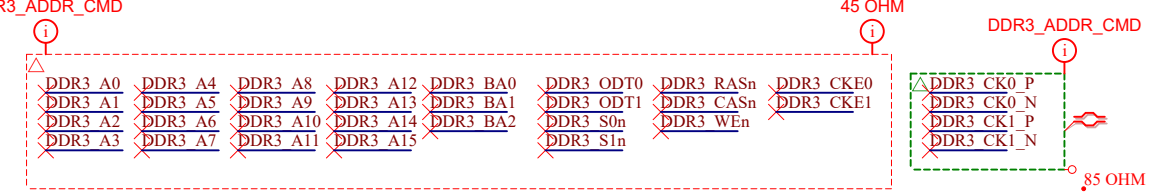
B

C

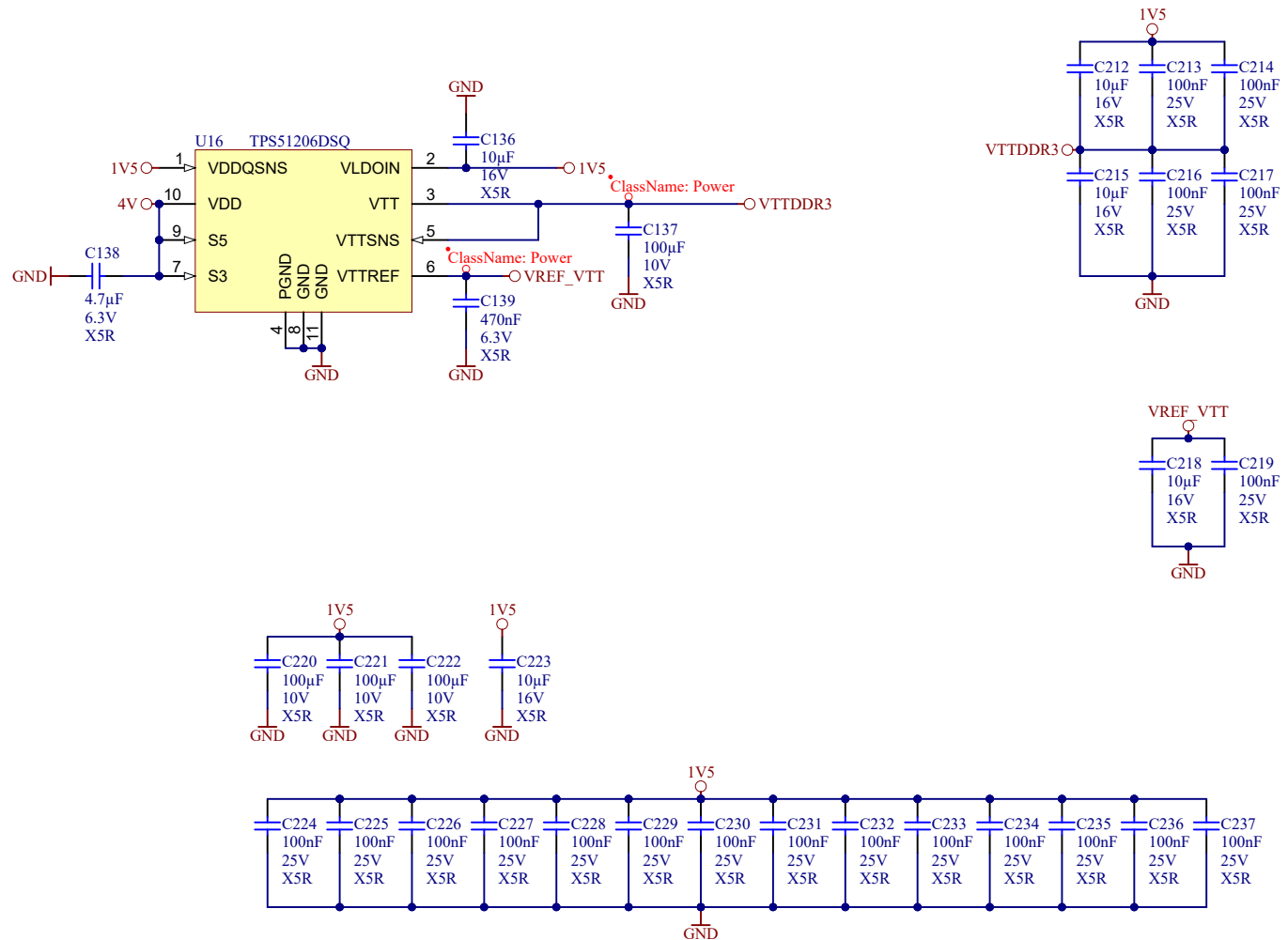
D



U_SODIMM_PWR
SODIMM_PWR.SchDoc



Title: TEF1001 - SODIMM		
A4	Number: TEF1001 G2IX4-K	Rev. 02
Date: 2018-02-26	Copyright: Trenz Electronic GmbH	Page 22 of 33
Filename: SODIMM.SchDoc		



Title: TEF1001 - SODIMM_PWR		
A4	Number: TEF1001 G2IX4-K	Rev. 02
Date: 2018-02-26	Copyright: Trenz Electronic GmbH	Page23 of 33
Filename: SODIMM_PWR.SchDoc		

U_PWR_4V_1V5
PWR_4V_1V5.SchDoc

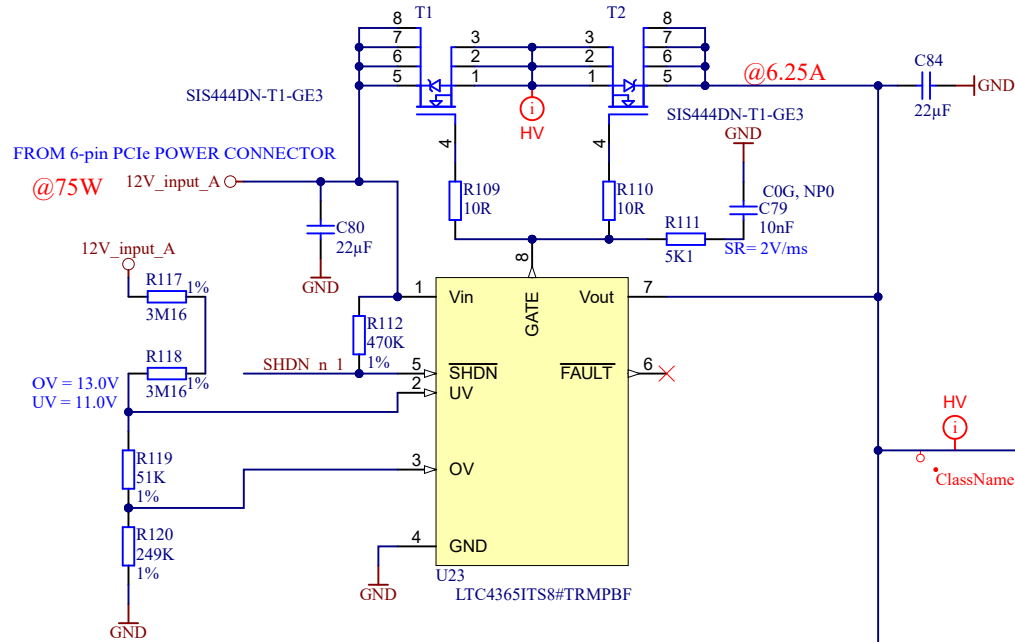
U_PWR_3V3
PWR_3V3.SchDoc

U_PWR_1V
PWR_1V.SchDoc

U_PWR_MGT
PWR_MGT.SchDoc

U_PWR_1V8
PWR_1V8.SchDoc

U_PWR_5V
PWR_5V.SchDoc



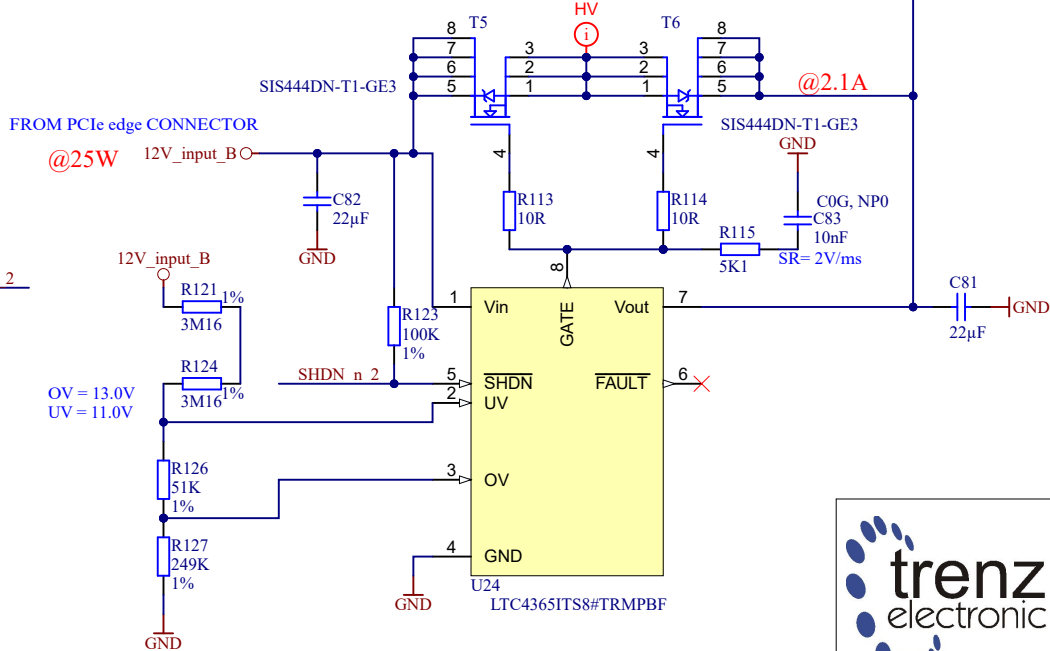
FAN FPGA

FMC J2 Connector MIN11.4V MAX12.6V (Sec. 5.10. Power Supply Req.)

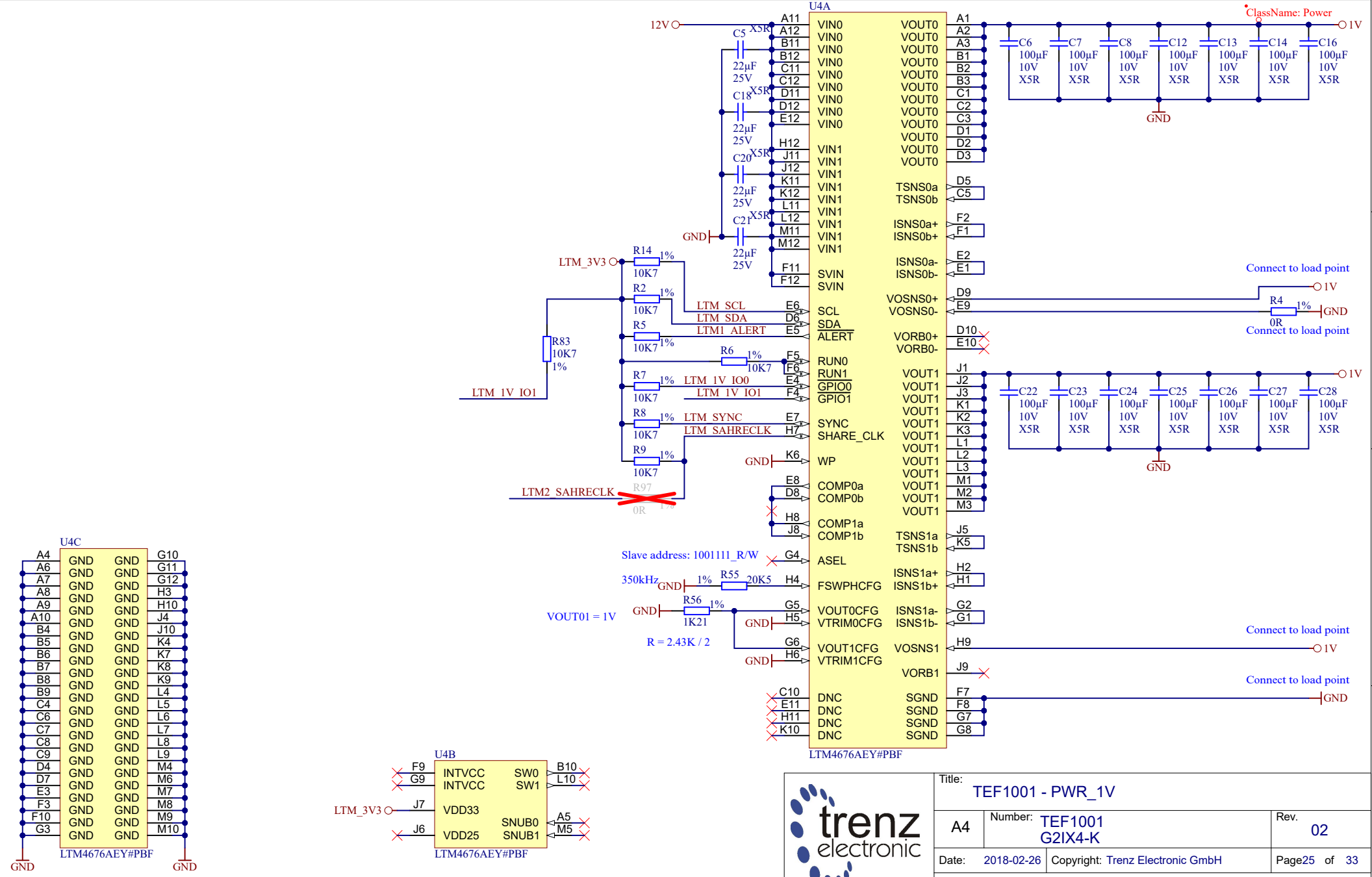
U4 REGULATOR 1V MIN5.75V MAX26.5V
U3 REGULATOR 4V&1V5 MIN5.75V MAX26.5V

U9 REGULATOR 3V3 MIN4.5V MAX17V

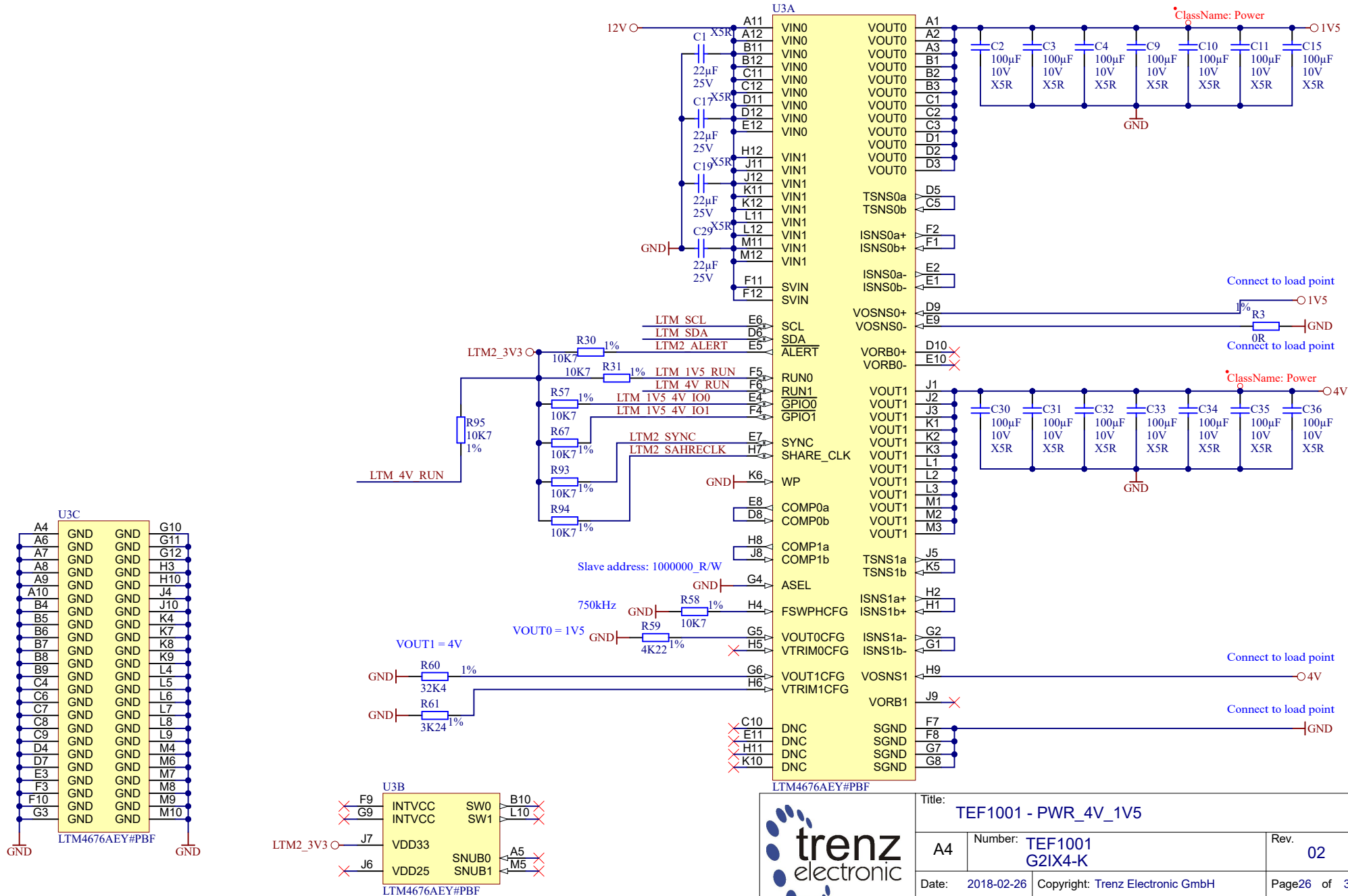
U8 REGULATOR 5V MIN6V MAX17V



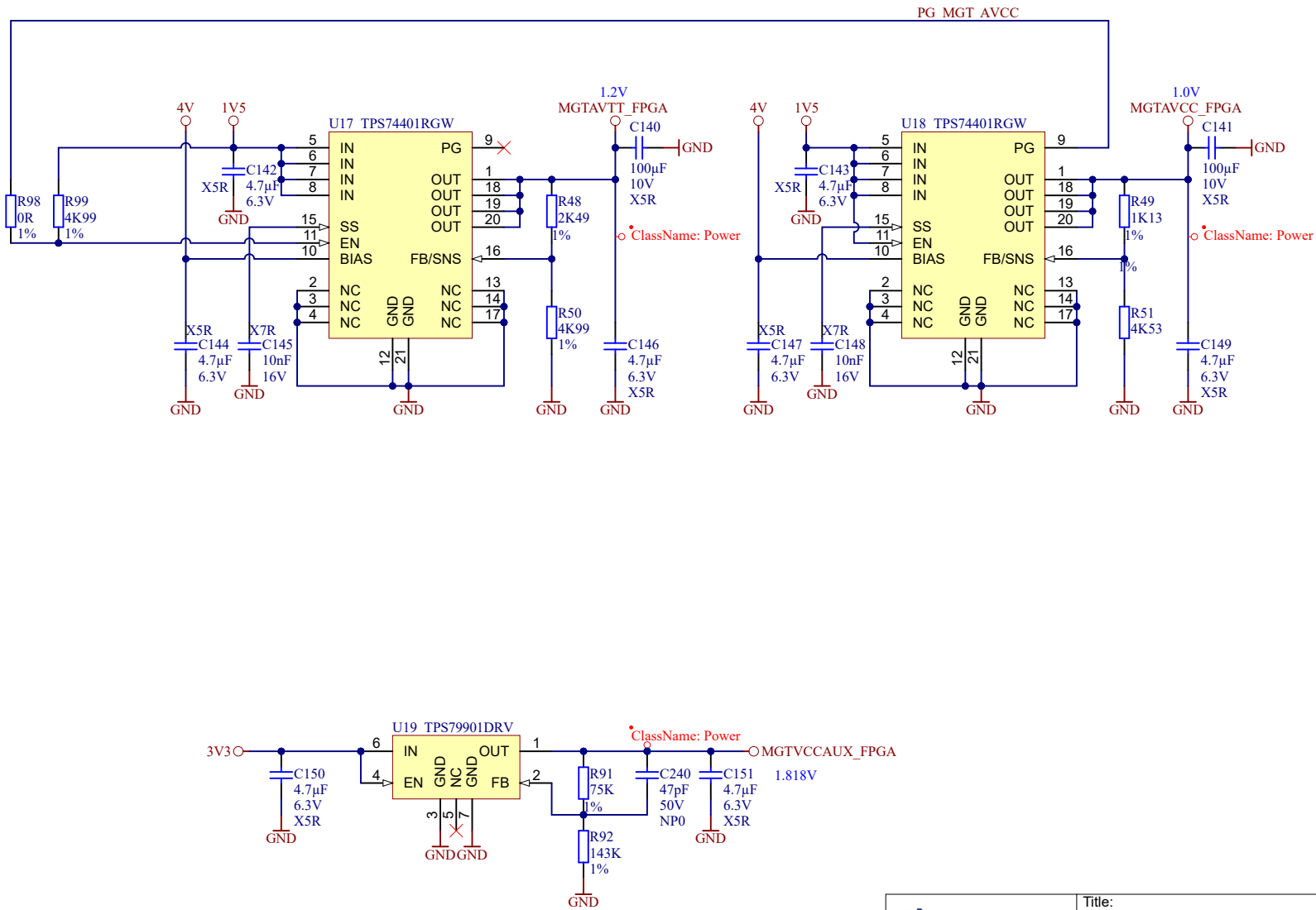
Title: TEF1001 - POWER		
A4	Number: TEF1001 G2IX4-K	Rev. 02
Date: 2018-02-26	Copyright: Trenz Electronic GmbH	Page24 of 33
Filename: POWER.SchDoc		



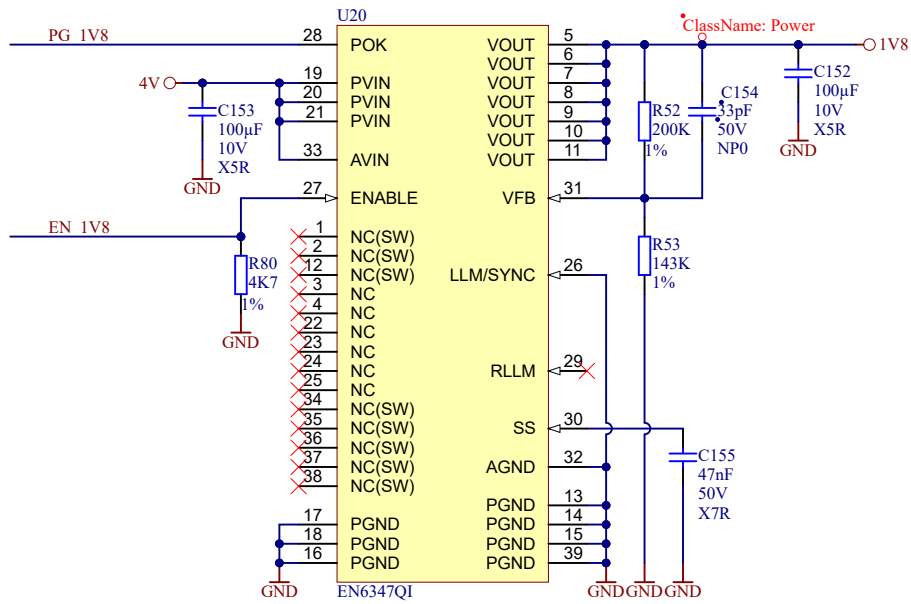
Title: TEF1001 - PWR_1V		
A4	Number: TEF1001 G2IX4-K	Rev. 02
Date: 2018-02-26	Copyright: Trenz Electronic GmbH	Page 25 of 33
Filename: PWR_1V.SchDoc		




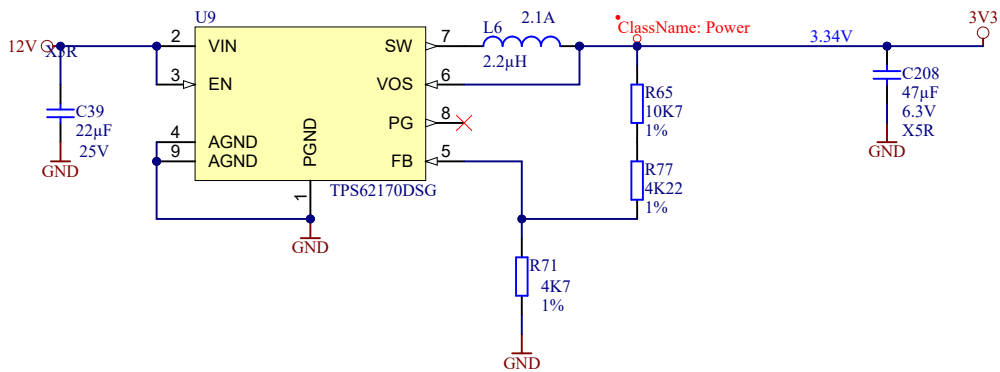
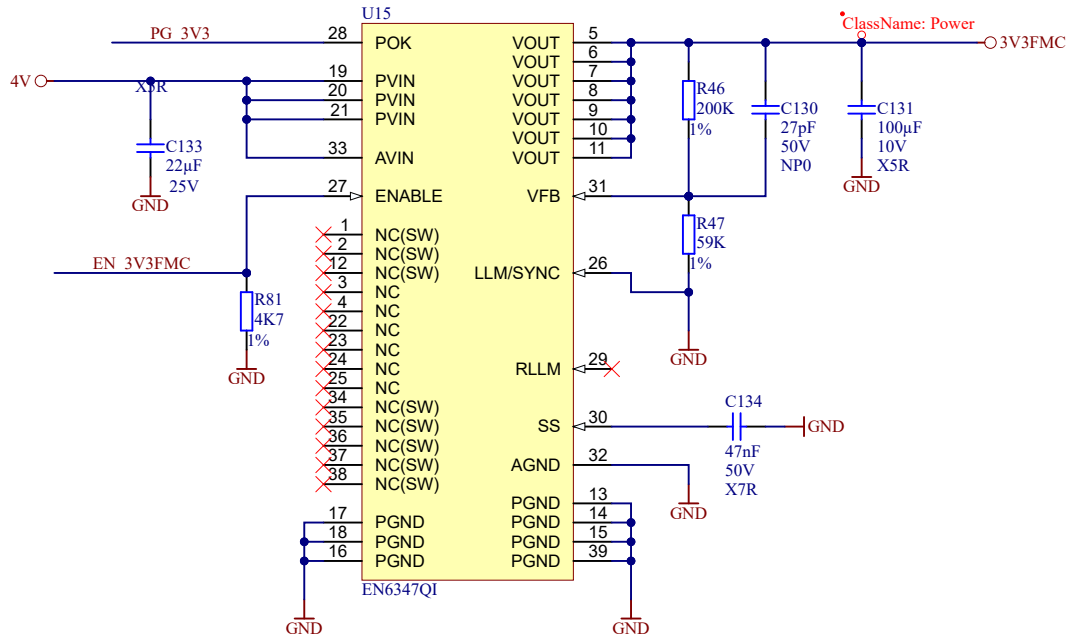
Title: TEF1001 - PWR_4V_1V5		
A4	Number: TEF1001 G2IX4-K	Rev. 02
Date: 2018-02-26	Copyright: Trenz Electronic GmbH	Page 26 of 33
Filename: PWR_4V_1V5.SchDoc		



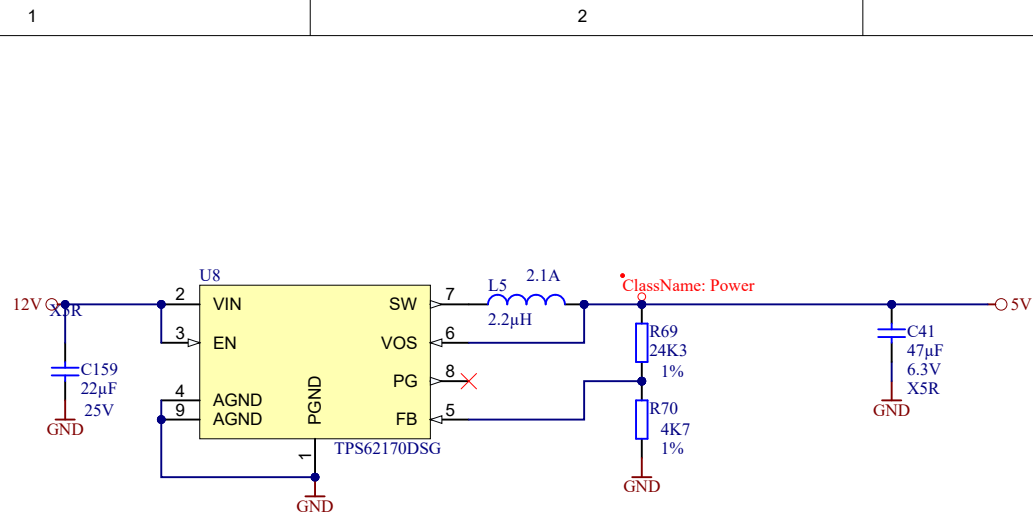
Title: TEF1001 - PWR_MGT		
A4	Number: TEF1001 G2IX4-K	Rev. 02
Date: 2018-02-26	Copyright: Trenz Electronic GmbH	Page 27 of 33
Filename: PWR_MGT.SchDoc		




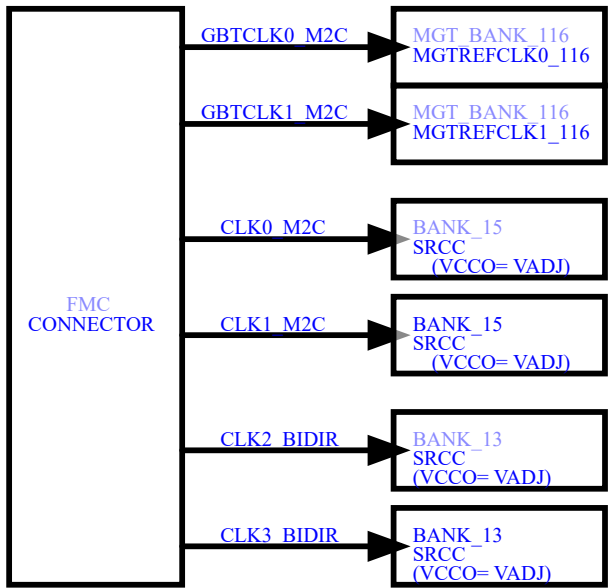
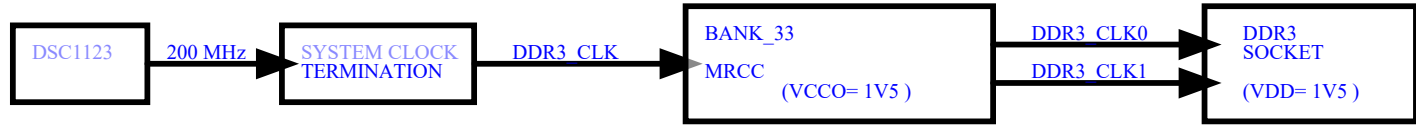
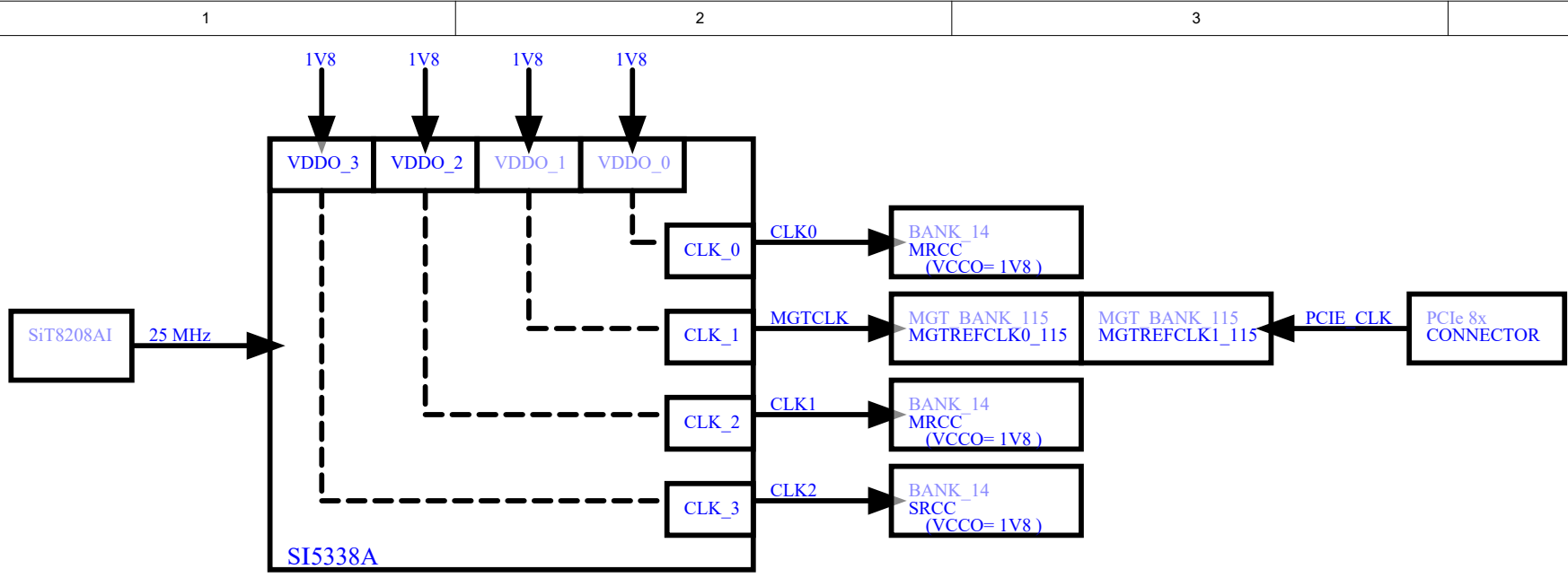
			Title: TEF1001 - PWR_1V8	
			A4	Number: TEF1001 G2IX4-K
Date: 2018-02-26		Copyright: Trenz Electronic GmbH		Page 28 of 33
Filename: PWR_1V8.SchDoc				



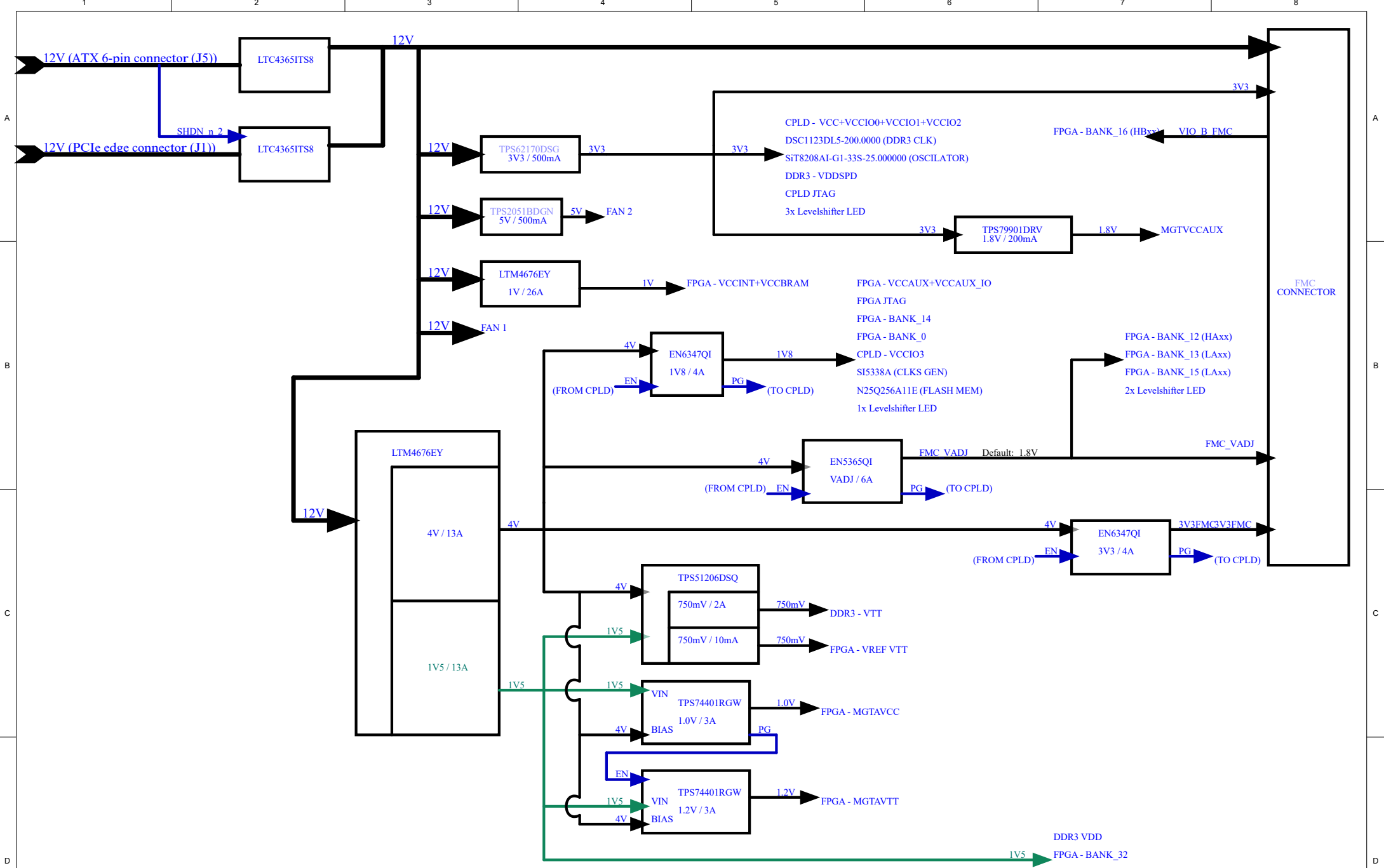
Title: TEF1001 - PWR_3V3		
A4	Number: TEF1001 G2IX4-K	Rev. 02
Date: 2018-02-26	Copyright: Trenz Electronic GmbH	Page 29 of 33
Filename: PWR_3V3.SchDoc		



		Title: TEF1001 - PWR_5V	
		A4	Number: TEF1001 G2IX4-K
Date: 2018-02-26		Copyright: Trenz Electronic GmbH	
Filename: PWR_5V.SchDoc		Page 30 of 33	



Title: TEF1001 - Clock Overview		
A4	Number: TEF1001 G2IX4-K	Rev. 02
Date: 2018-02-26	Copyright: Trenz Electronic GmbH	Page 31 of 33
Filename: CLOCKS OVERVIEW.SchDoc		



Title: TEF1001 - Power Ens_PGs_COMMs		
A4	Number: TEF1001 G2IX4-K	Rev. 02
Date: 2018-02-26	Copyright: Trenz Electronic GmbH	Page 32 of 33
Filename: POWER_ENs_PGs OVERVIEW.SchDoc		

1

2

3


4

Revision 02:

- 1) added C87, C88 4.7µF
- 2) C154 incremented from 27pF to 33pF
- 3) route 12V input from PCIe edge connector, added input power protection circuits for ATX 12V and PCIe edge connector (U23 with T1, T2 and U24 with T5, T6, resistors and capacitors), power priority switch T3, (priority for ATX)
- 4) added S1 (FMC_VADJ value, and JTAG_EN)
- 5) T4 and resistors added for reading the FMC_PRSNM2C value
- 6) U25 and capacitors added (FMC_FAN)
- 7) added screws for bracket
- 8) added 10 x FPGA LEDs D1-D10 via levelshifter (U11, U21, U22)

Revision 02a (2020-04-15):

- 1) VY: New FAN M1, F455B-05MD replaced by F455B-05LD

	Title: TEF1001 - Revision history		
	A4	Number: TEF1001 G2IX4-K	Rev. 02
	Date: 2018-11-19	Copyright: Trenz Electronic GmbH	Page 33 of 33
	Filename: Revision_Changes.SchDoc		

1

2

3

4