

1

2

3

4

A

A

B

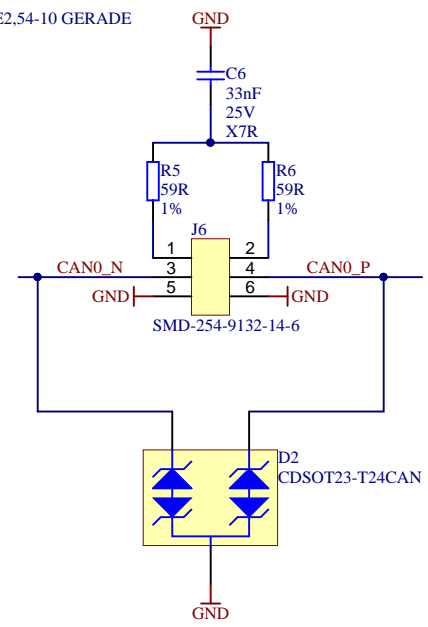
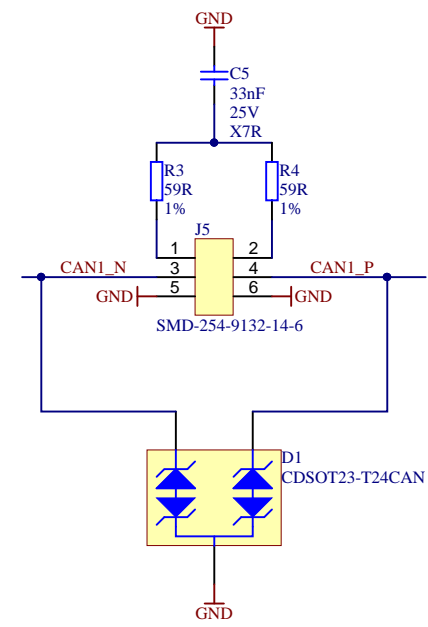
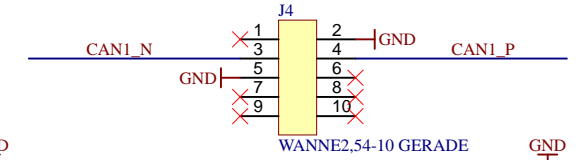
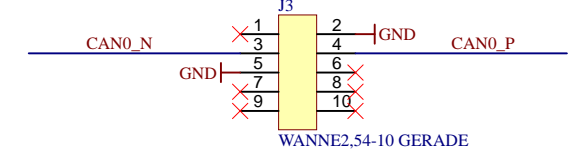
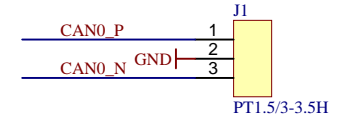
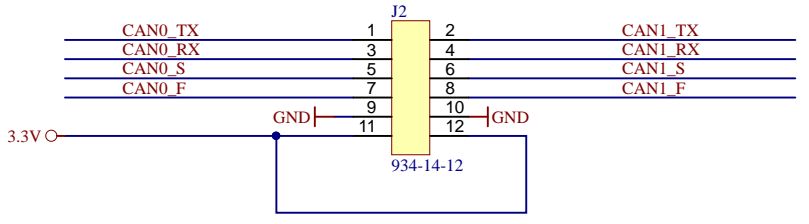
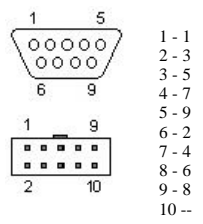
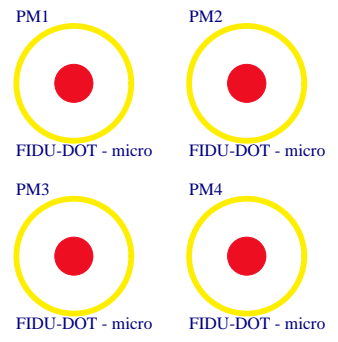
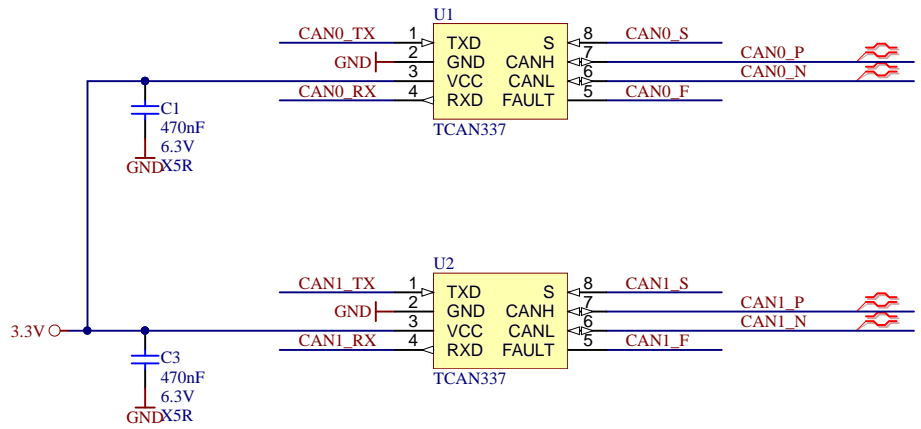
B

C

C

D

D



Title: TEP0001		
A4	Number: Default	Rev. 01
Date: 2016-05-02	Copyright: Trenz Electronic GmbH / TT	Page1 of 1
Filename: TEP0001.SchDoc		

1

2

3

4