

1

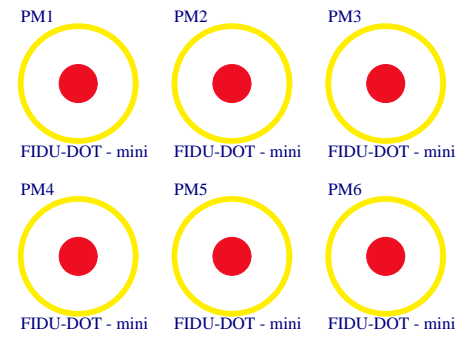
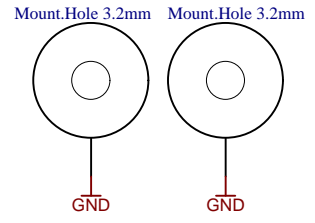
2

3

4

A

A



Driver_CH0-2
Driver_CH0-2.SchDoc

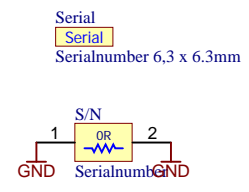
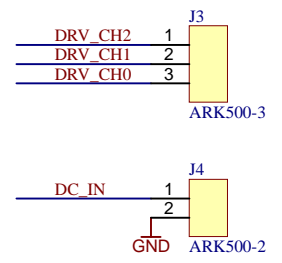
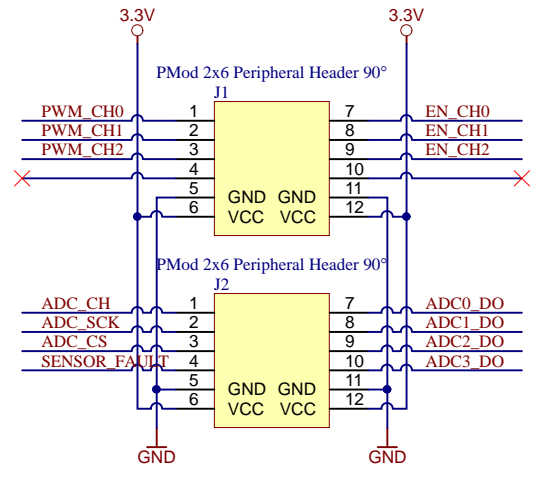
Power
Power.SchDoc

B

B

C

C



D

D

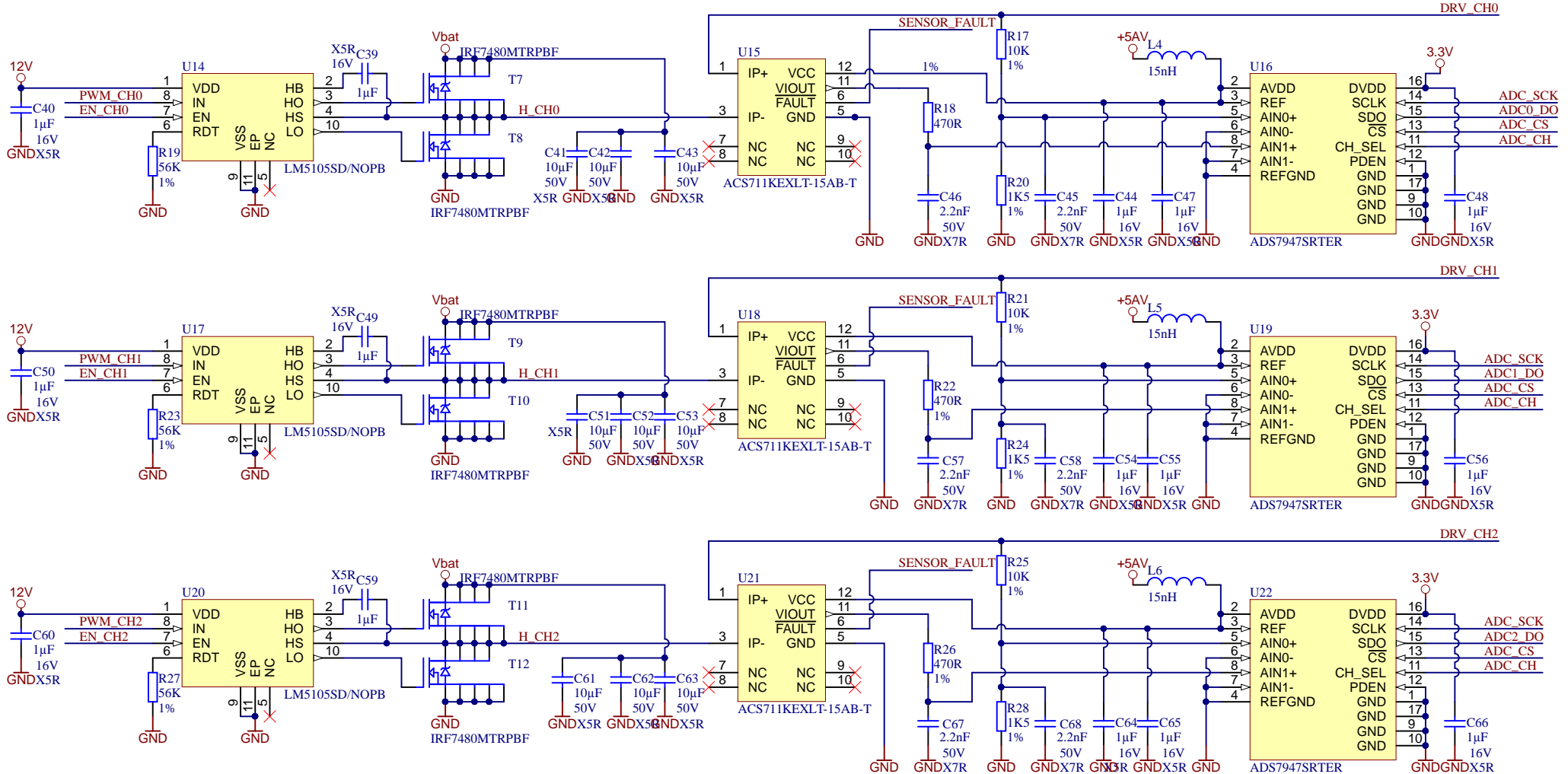
	Title: TEP0002		
	A4	Number: TEP0002 [No Variations]	Rev. 02
	Date: 2017-10-30	Copyright: Trenz Electronic GmbH / TT	Page1 of 3
	Filename: TEP0002.SchDoc		

1

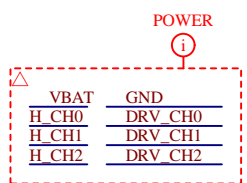
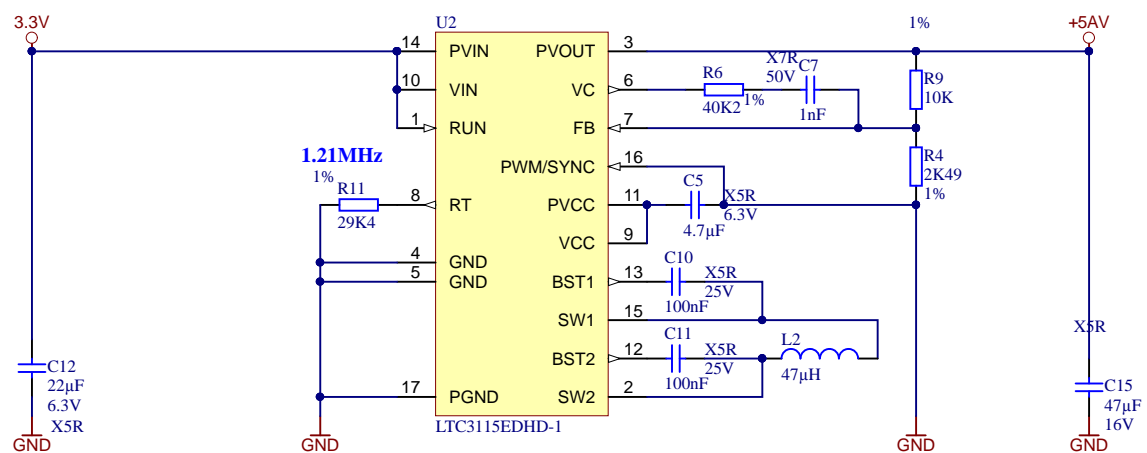
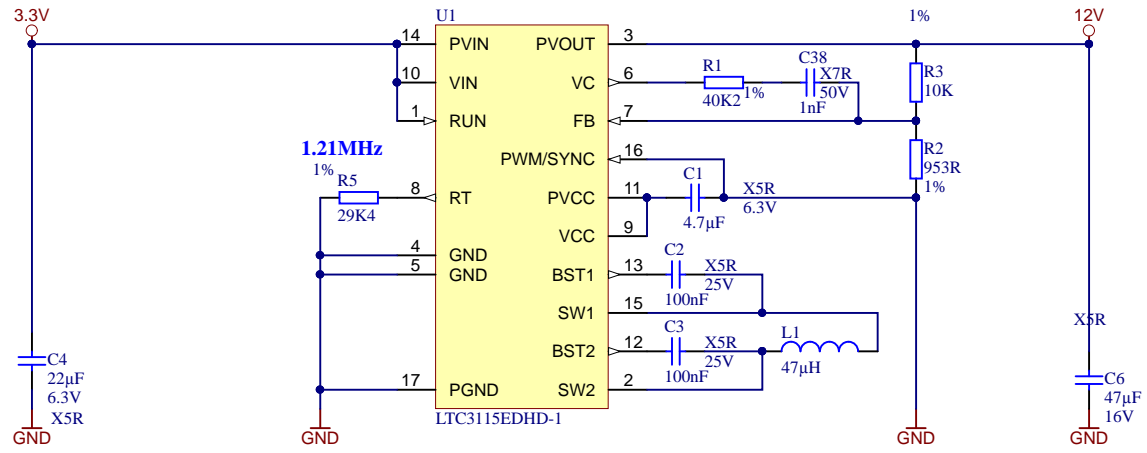
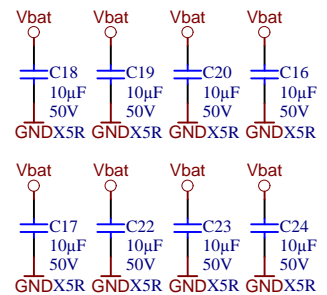
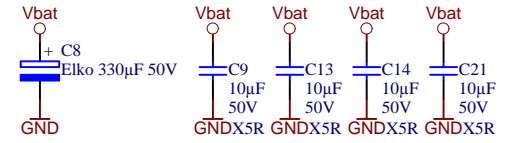
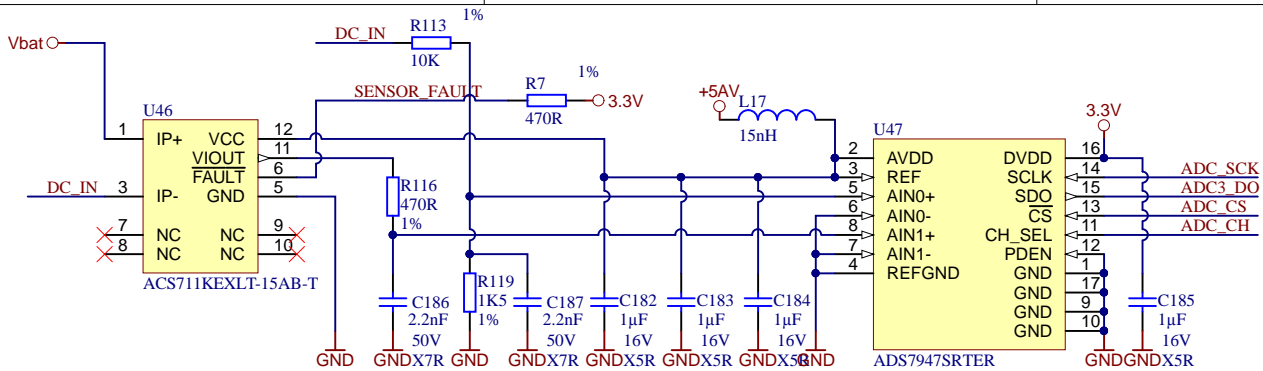
2

3

4



Title: TEP0002 - Driver_CH0-2		
A4	Number: TEP0002 [No Variations]	Rev. 02
Date: 2017-10-30	Copyright: Trenz Electronic GmbH / TT	Page2 of 3
Filename: Driver_CH0-2.SchDoc		



Title: TEP0002 - Power		
A4	Number: TEP0002 [No Variations]	Rev. 02
Date: 2017-10-30	Copyright: Trenz Electronic GmbH / TT	Page3 of 3
Filename: Power.SchDoc		