

1

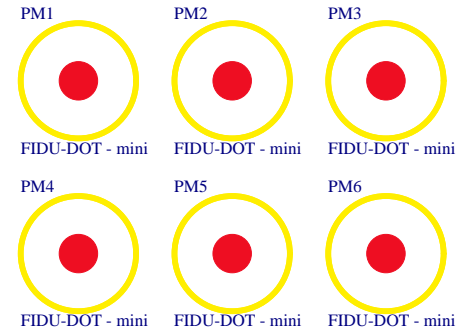
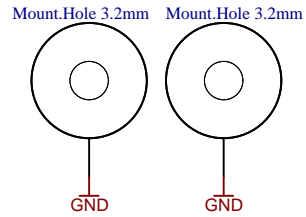
2

3

4

A

A



Driver_CH0-2
Driver_CH0-2.SchDoc

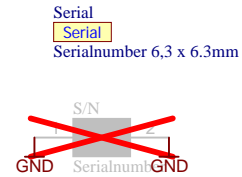
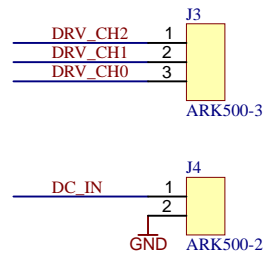
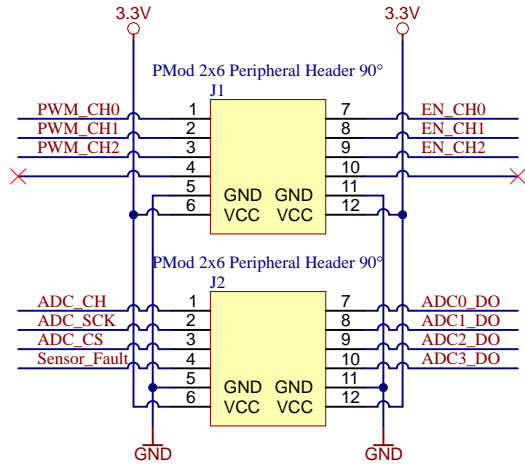
Power
Power.SchDoc

B

B

C

C



D

D



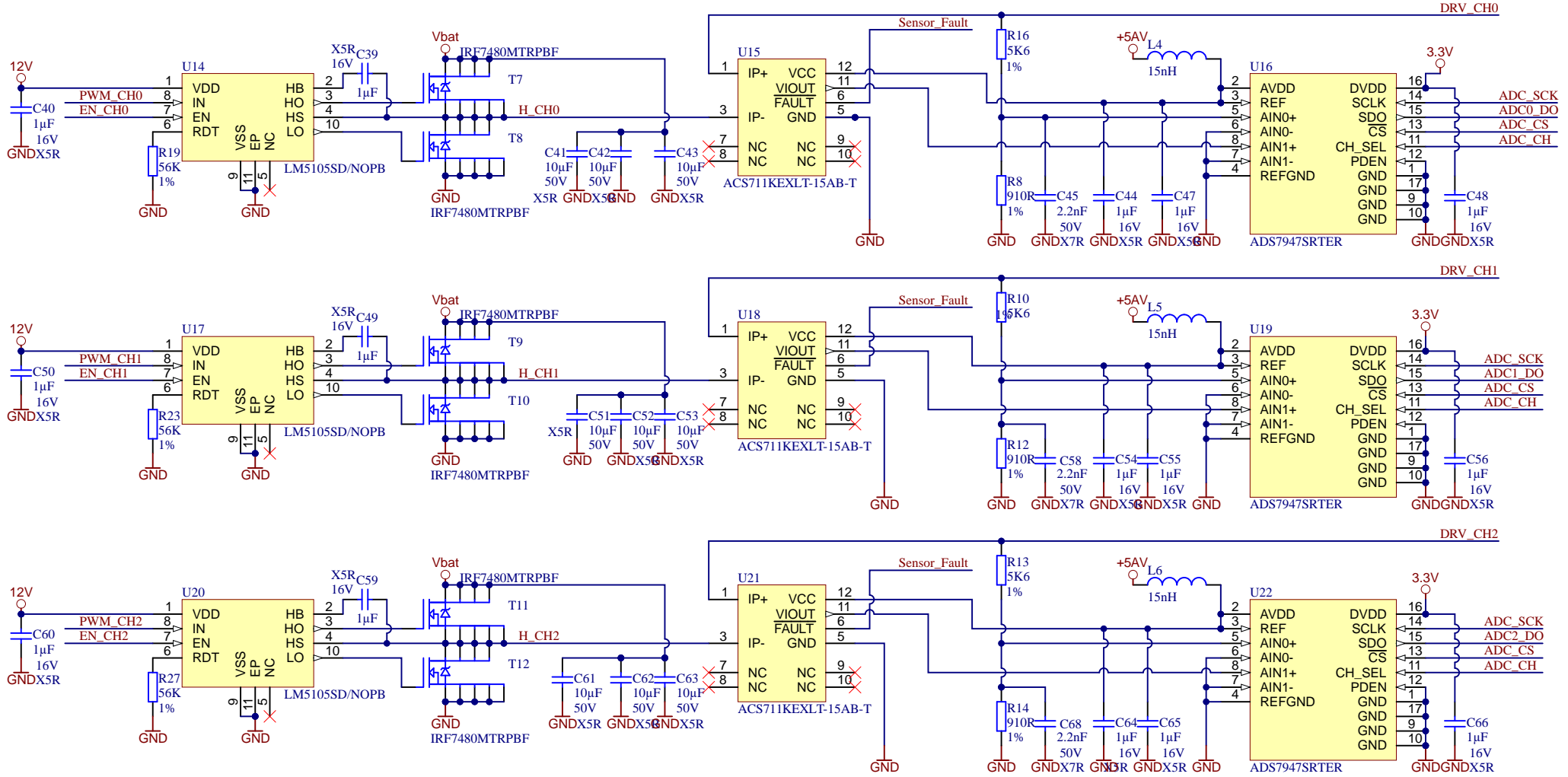
Title: TEP0002		
A4	Number: TEP0002 Default	Rev. 03
Date: 2019-02-08	Copyright: Trenz Electronic GmbH / TT	Page1 of 3
Filename: TEP0002.SchDoc		

1

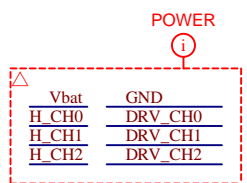
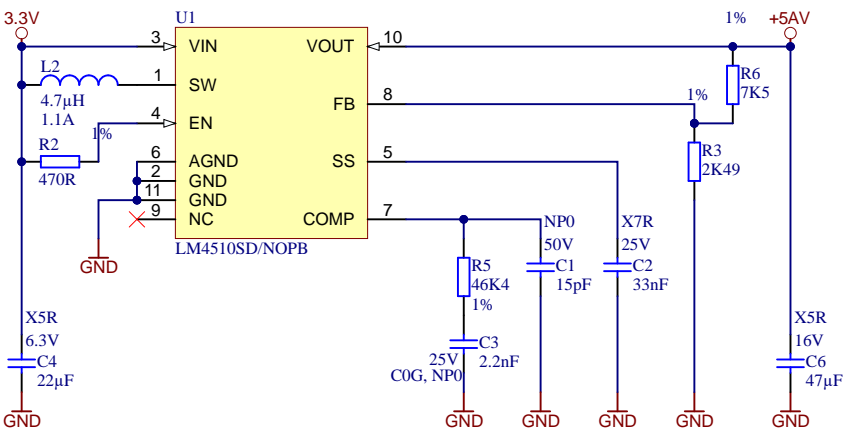
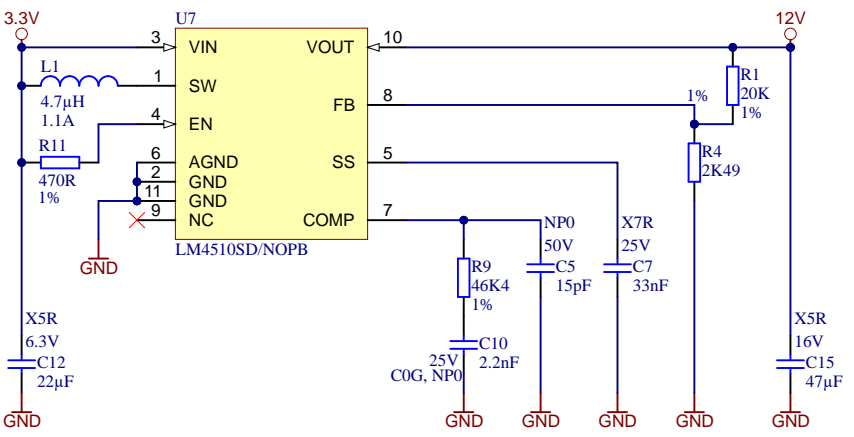
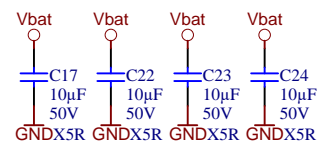
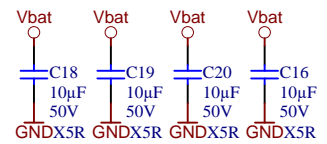
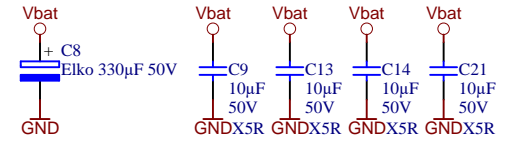
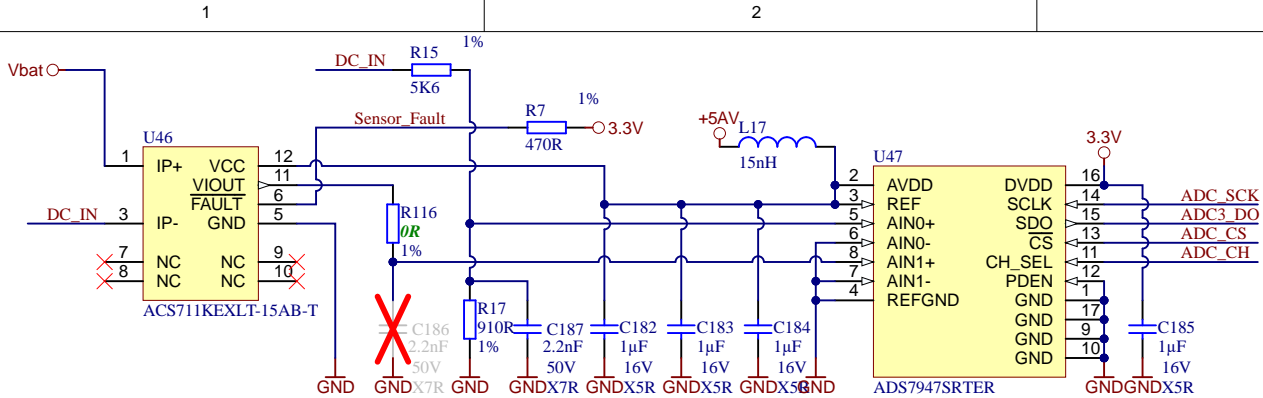
2

3

4



Title: TEP0002 - Driver_CH0-2		Rev. 03	
A4	Number: TEP0002 Default	Page2 of 3	
Date: 2019-02-08	Copyright: Trenz Electronic GmbH / TT	Page2 of 3	
Filename: Driver_CH0-2.SchDoc			



Title: TEP0002 - Power		
A4	Number: TEP0002 Default	Rev. 03
Date: 2019-02-08	Copyright: Trenz Electronic GmbH / TT	Page3 of 3
Filename: Power.SchDoc		