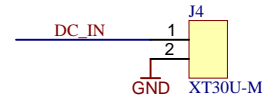
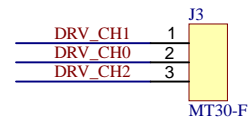
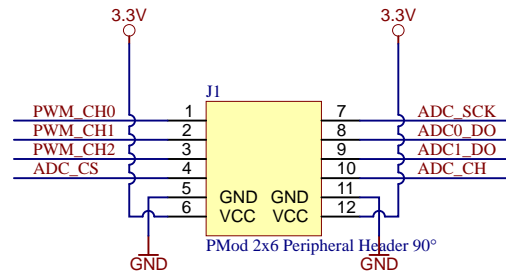
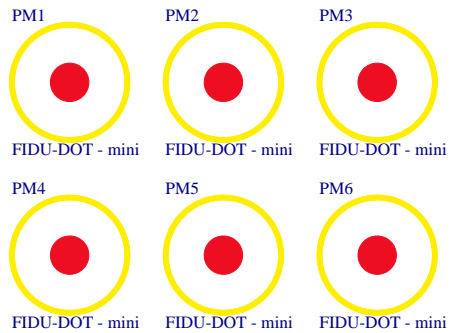



Driver_CH0-2
Driver_CH0-2.SchDoc

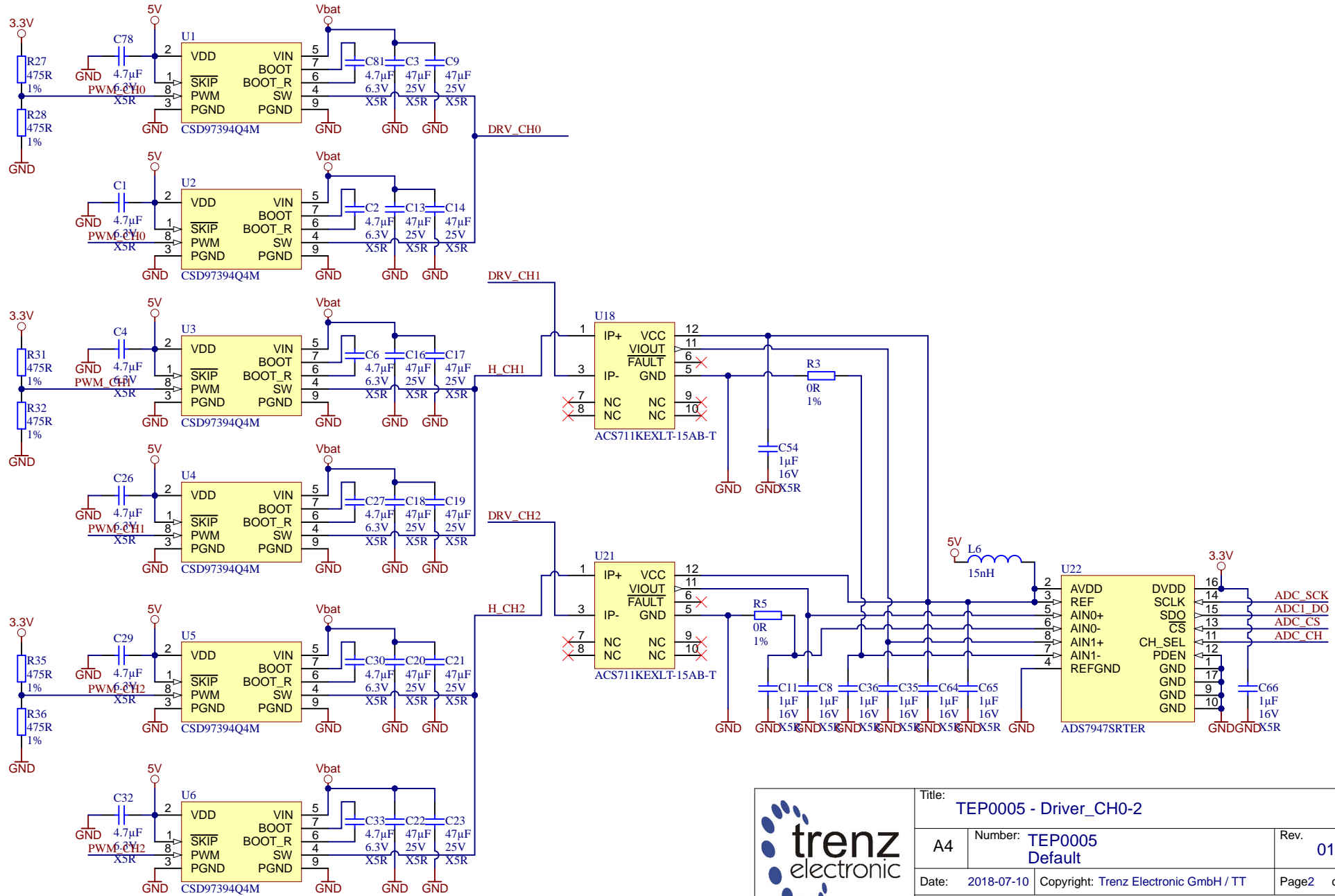
Power
Power.SchDoc



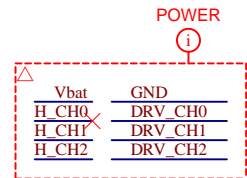
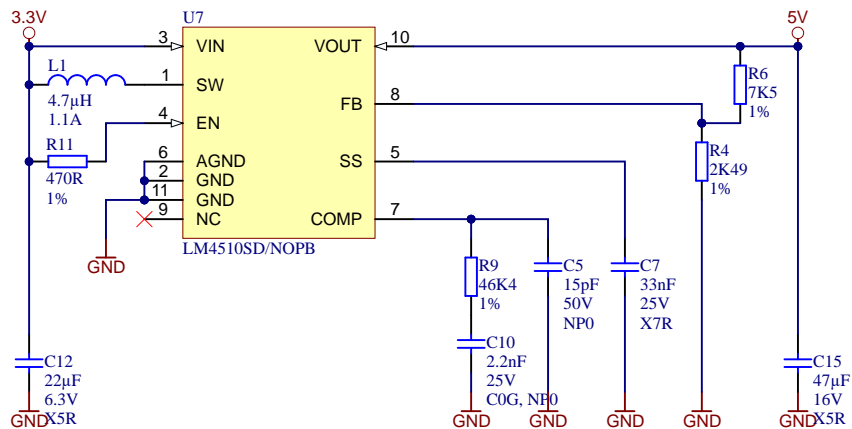
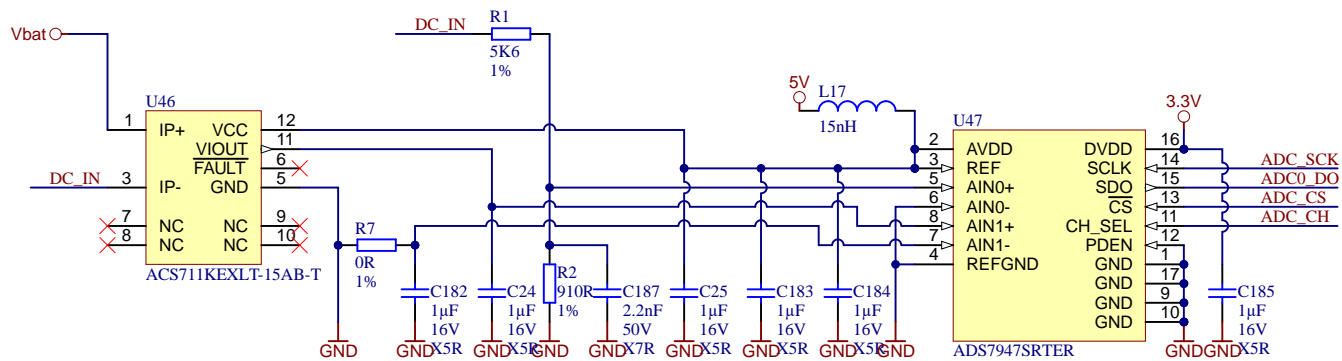
Serial
Serial
Serialnumber 6,3 x 6.3mm



			Title: TEP0005 - Driver_CH0-2	
			A4	Number: TEP0005 Default
Date: 2018-07-10		Copyright: Trenz Electronic GmbH / TT		Page1 of 3
Filename: TEP0005.SchDoc				



Title: TEP0005 - Driver_CH0-2		
A4	Number: TEP0005 Default	Rev. 01
Date: 2018-07-10	Copyright: Trenz Electronic GmbH / TT	Page2 of 3
Filename: Driver_CH0-2.SchDoc		



Title: TEP0005 - Power		
A4	Number: TEP0005 Default	Rev. 01
Date: 2018-07-10	Copyright: Trenz Electronic GmbH / TT	Page3 of 3
Filename: Power.SchDoc		