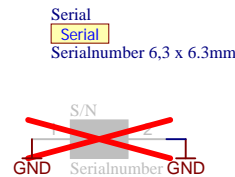
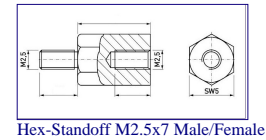
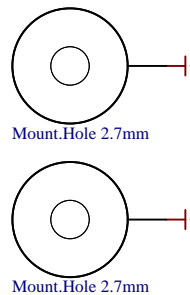
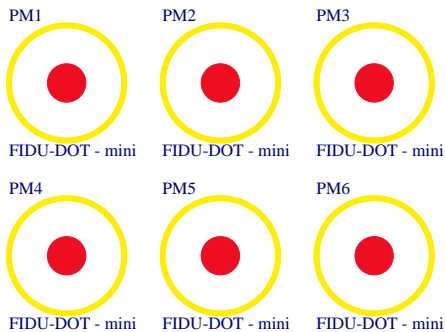
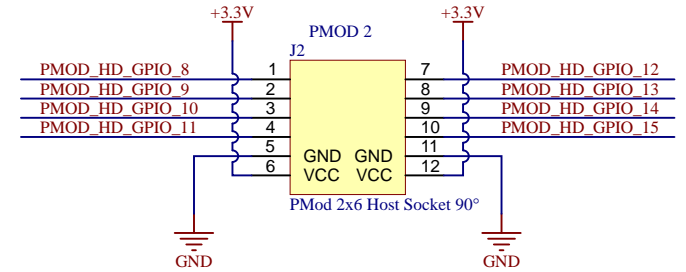
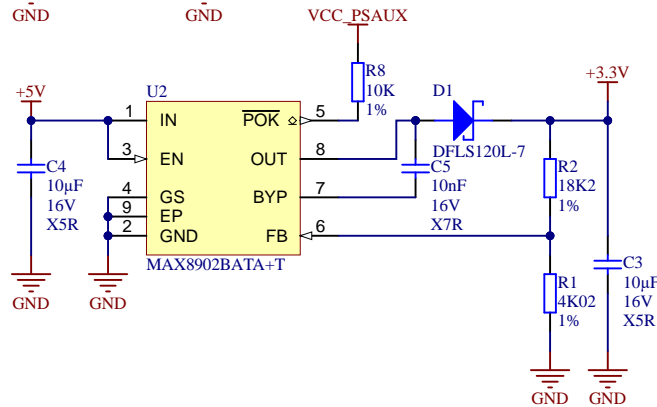
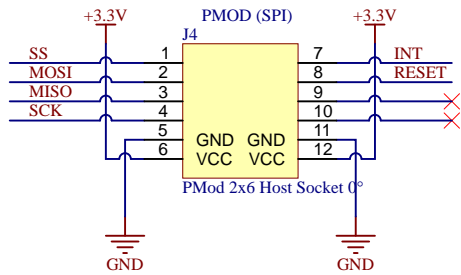
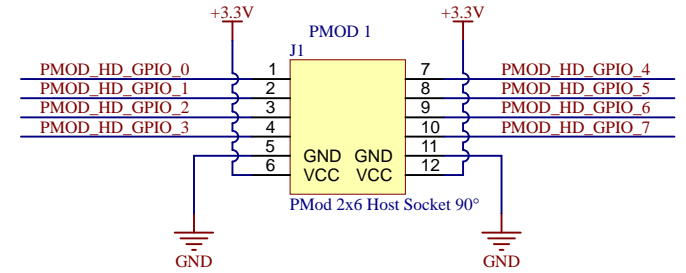
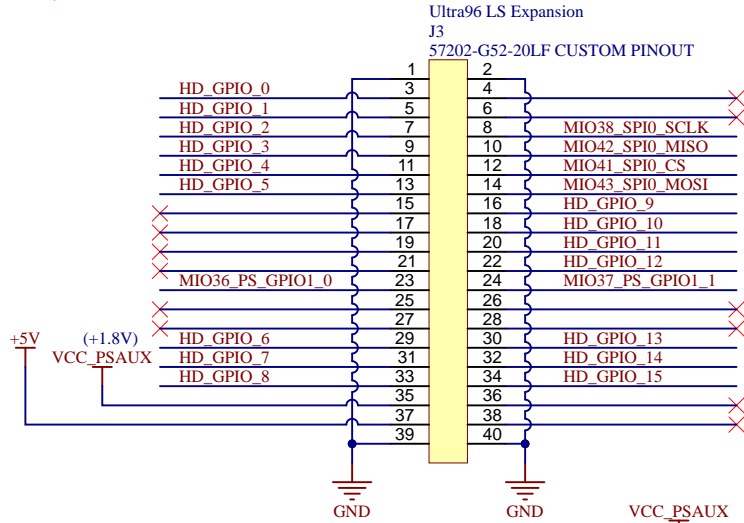
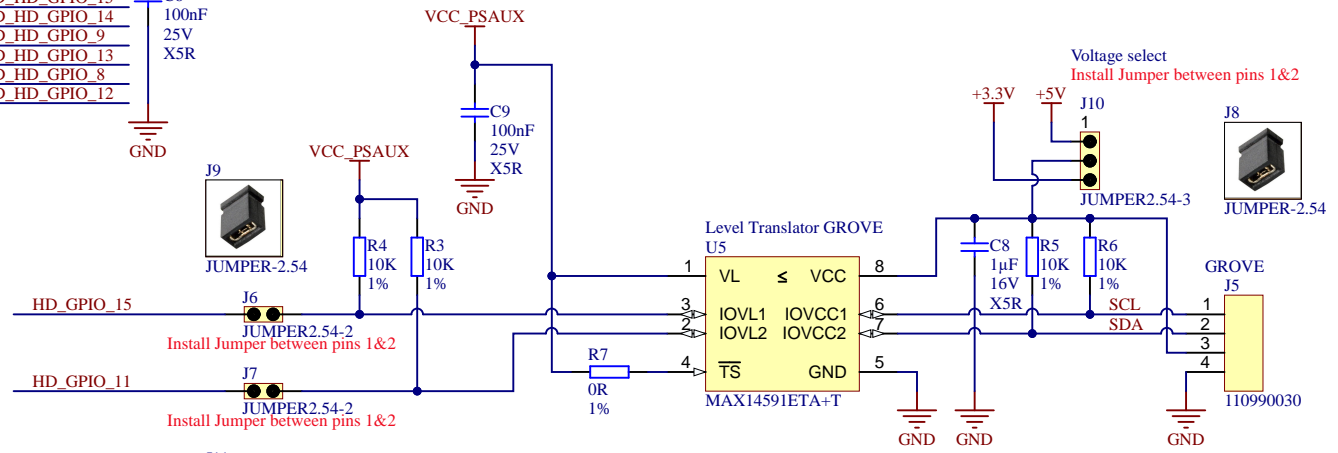
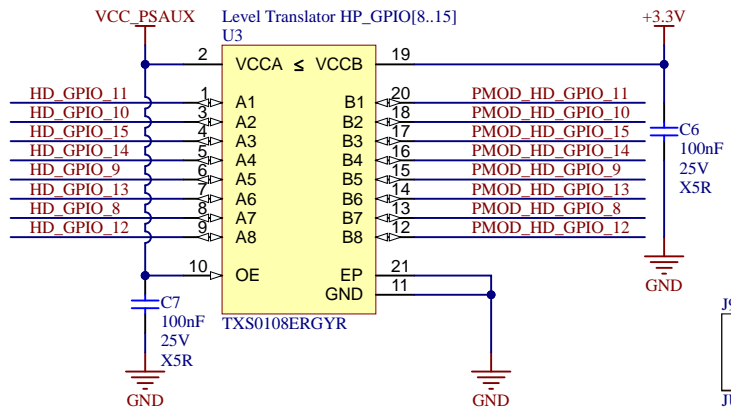
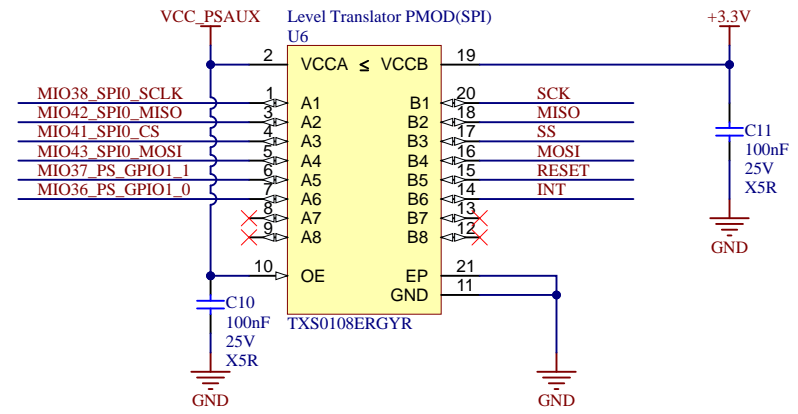
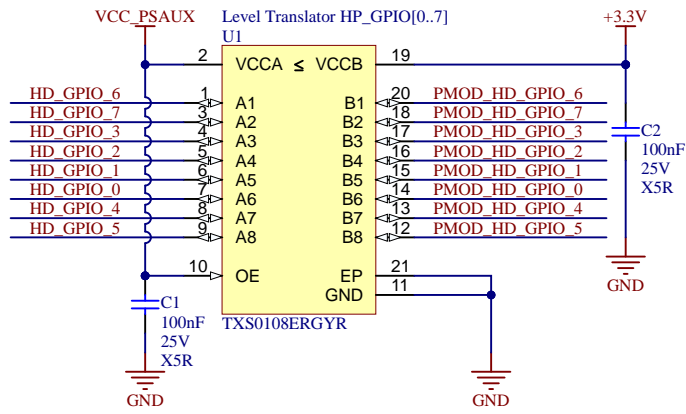


Hints:  
Install on J6, J7, J10 (between pins 1&2)



Title: TEP0006		
A4	Number: TEP0006 Default	Rev. 01
Date: 2019-07-12	Copyright: Trenz Electronic GmbH / TT	Page1 of 2
Filename: TEP0006_LDO_Header.SchDoc		

Hints:  
Install on J6, J7, J10 (between pins 1&2)



Title: TEP0006		
A4	Number: TEP0006 Default	Rev. 01
Date: 2019-07-12	Copyright: Trenz Electronic GmbH / TT	Page2 of 2
Filename: TEP0006_Level_Translator.SchDoc		